

THIS DRAWING IS UNPUBLISHED.

RELEASED FOR PUBLICATION

ALL RIGHTS RESERVED.

© COPYRIGHT - By -

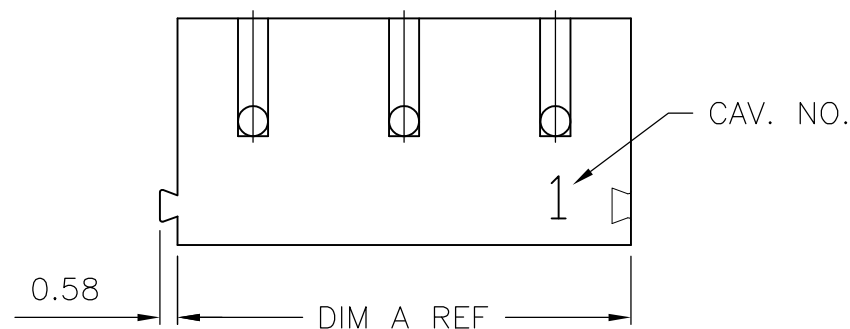
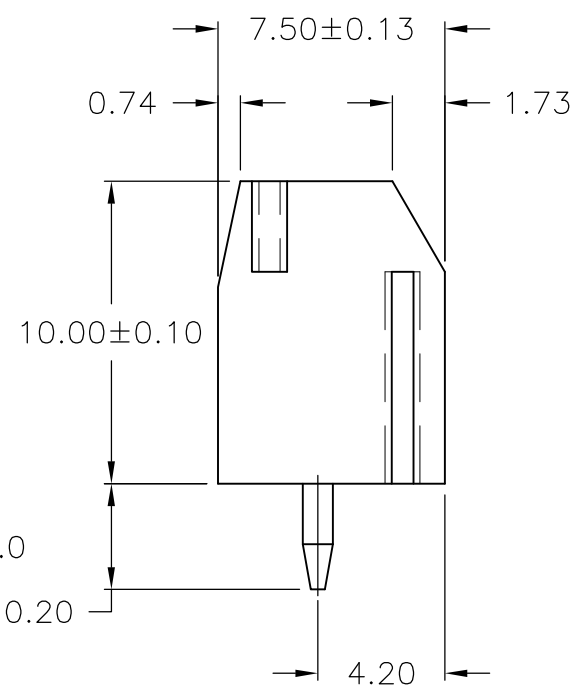
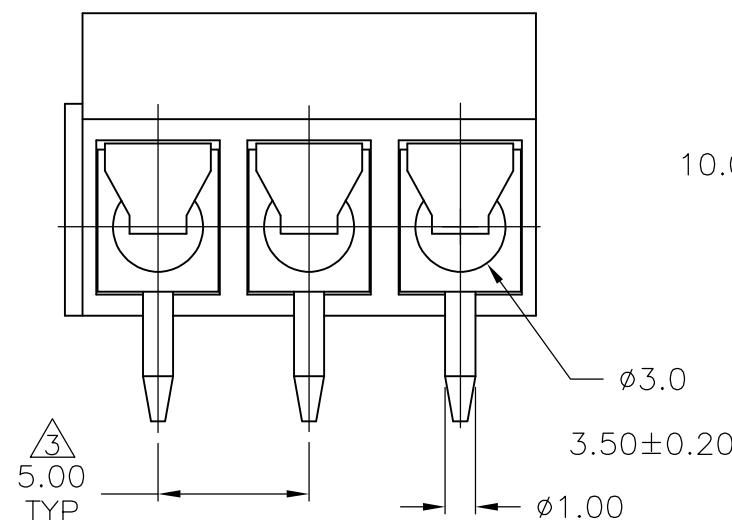
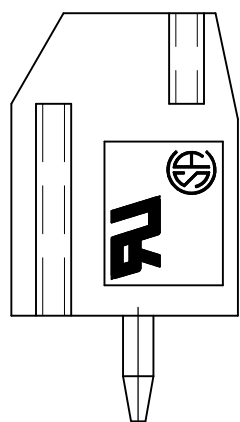
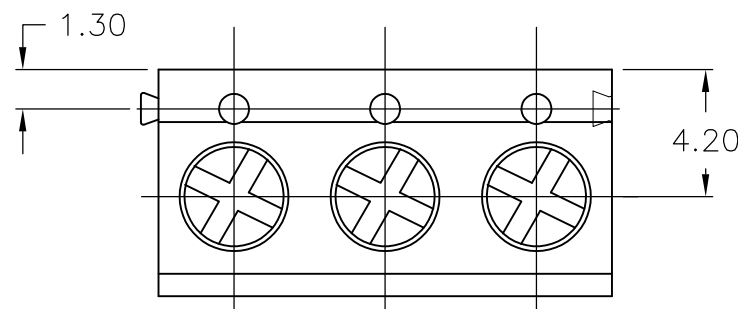
REVISIONS

P	LTR	DESCRIPTION	DATE	DWN	APVD
	P1	PCB LAYOUT ADDED HIGH TEMP PHRASE REMOVED	02AUG16	FP	NG

1. ALL DIMENSIONS ARE IN MM.
2. RECOMMENDED PC-BOARD-HOLES DIAMETER: $\phi 1.20\text{MM}$ TO $\phi 1.40\text{MM}$.

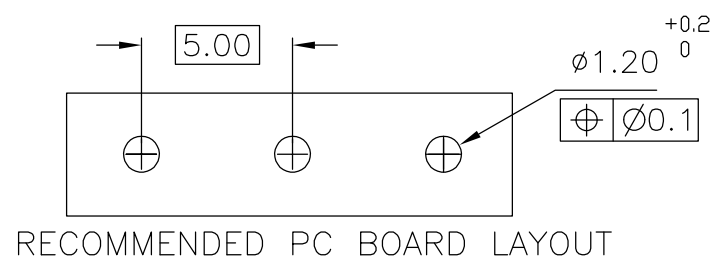
$\triangle 3$ NON CUMULATIVE.

$\triangle 4$ OBSOLETE



1776244-3 AS SHOWN

$\triangle 4$	DIM. A	NO. OF POS.	PART NUMBER
$\triangle 4$	120.00	24	2-1776244-4
$\triangle 4$	115.00	23	2-1776244-3
$\triangle 4$	110.00	22	2-1776244-2
$\triangle 4$	105.00	21	2-1776244-1
$\triangle 4$	100.00	20	2-1776244-0
$\triangle 4$	95.00	19	1-1776244-9
$\triangle 4$	90.00	18	1-1776244-8
$\triangle 4$	85.00	17	1-1776244-7
$\triangle 4$	80.00	16	1-1776244-6
$\triangle 4$	75.00	15	1-1776244-5
$\triangle 4$	70.00	14	1-1776244-4
$\triangle 4$	65.00	13	1-1776244-3
$\triangle 4$	60.00	12	1-1776244-2
$\triangle 4$	55.00	11	1-1776244-1
$\triangle 4$	50.00	10	1-1776244-0
	45.00	9	1776244-9
	40.00	8	1776244-8
	35.00	7	1776244-7
	30.00	6	1776244-6
	25.00	5	1776244-5
	20.00	4	1776244-4
	15.00	3	1776244-3
	10.00	2	1776244-2



RECOMMENDED PC BOARD LAYOUT

THIS DRAWING IS A CONTROLLED DOCUMENT.		DWN S SCHLEGEL 5/6/05	STE TE Connectivity	
DIMENSIONS: mm		CHK C RICHARD 5/6/05		
TOLERANCES UNLESS OTHERWISE SPECIFIED:		APVD C RICHARD 5/6/05	NAME	
0 PLC ± -		PRODUCT SPEC	TERMINAL BLOCK PCB MOUNT, STRAIGHT SIDE WIRE ENTRY, W/INTERLOCK, 5.00mm PITCH	
1 PLC ± 0.3		APPLICATION SPEC	-	
2 PLC ± 0.25		WEIGHT 0	SIZE A3	CAGE CODE 00779
3 PLC ± -		FINISH -	DRAWING NO C-1776244	RESTRICTED TO -
4 PLC ± -			SCALE NTS	SHEET 1 OF 2
ANGLES ± -		CUSTOMER DRAWING		

THIS DRAWING IS UNPUBLISHED.

RELEASED FOR PUBLICATION

- . - .

ALL RIGHTS RESERVED.

© COPYRIGHT - By -

REVISIONS

P	LTR	DESCRIPTION	DATE	DWN	APVD
-	-	SEE SHEET 1	-	-	-

1. Application and Features:

- 1-1. Standard sizes are 2 and 3 way-blocks, but every number of contact can be combined, by simply plugging them together and can be ordered as required**
- 1-2. With wire guard for wire protection (for that the screw doesn't press directly on the wire)

2-3. Mechanical:

- 2-3-1. Torque: 4 Kg.cm (Max).
- 2-3-2. Operating temperature: -55°C to +105°C.
- 2-3-3. Solderability: 95% coverage (min).

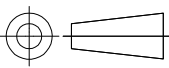
2. Technical Data:

2-1. Material:

- 2-1-1. HOUSING: PA 6.6, UL 94 V-0, (Blue).
- 2-1-2. Metal Housing: Brass(Cu Zn)
Cu,Tin plated.
- 2-1-3. Wire guard: Stainless steel.
- 2-1-4. Screw: Steel galvanized and chromitized, M2.6

2-2. Electrical:

- 2-2-1. Current rating: 10 Amps/way max.
- 2-2-2. Contact resistance: 20mΩ (Max).
- 2-2-3. Insulation resistance: 5000MΩ /1000V.
- 2-2-4. Withstanding Voltage: 1500VAC (1min).
- 2-2-5. Operation Voltage: 300 VAC.
- 2-2-6. Wire Range: 14-22 AWG.

THIS DRAWING IS A CONTROLLED DOCUMENT.		DWN S SCHLEGEL	5/6/05	STE TE Connectivity	
		CHK C RICHARD	5/6/05		
		APVD C RICHARD	5/6/05	NAME TERMINAL BLOCK PCB MOUNT, STRAIGHT SIDE WIRE ENTRY, W/INTERLOCK, 5.00mm PITCH	
DIMENSIONS: mm		TOLERANCES UNLESS OTHERWISE SPECIFIED:		PRODUCT SPEC	
		0 PLC	± -	APPLICATION SPEC	
		1 PLC	± 0.3	-	
		2 PLC	± 0.25	-	
		3 PLC	± -	-	
MATERIAL		FINISH		SIZE	RESTRICTED TO
-		-		A3	-
				CAGE CODE	DRAWING NO
				00779	C-1776244
				WEIGHT	0
				CUSTOMER DRAWING	
				SCALE	NTS
				SHEET	2 OF 2
				REV	P1

Mouser Electronics

Authorized Distributor

Click to View Pricing, Inventory, Delivery & Lifecycle Information:

[TE Connectivity:](#)

[1-1776244-2](#)