

4

3

2

1

THIS DRAWING IS UNPUBLISHED.

RELEASED FOR PUBLICATION

JAN ,2007.

© COPYRIGHT 2007 BY TYCO ELECTRONICS CORPORATION.

ALL RIGHTS RESERVED.

LOC

DIST

REVISIONS

E

B

P

LTR

DESCRIPTION

DATE

DWN

APVD

A

FIRST TYCO REVISION

03JAN07

DK

CM

D

D

C

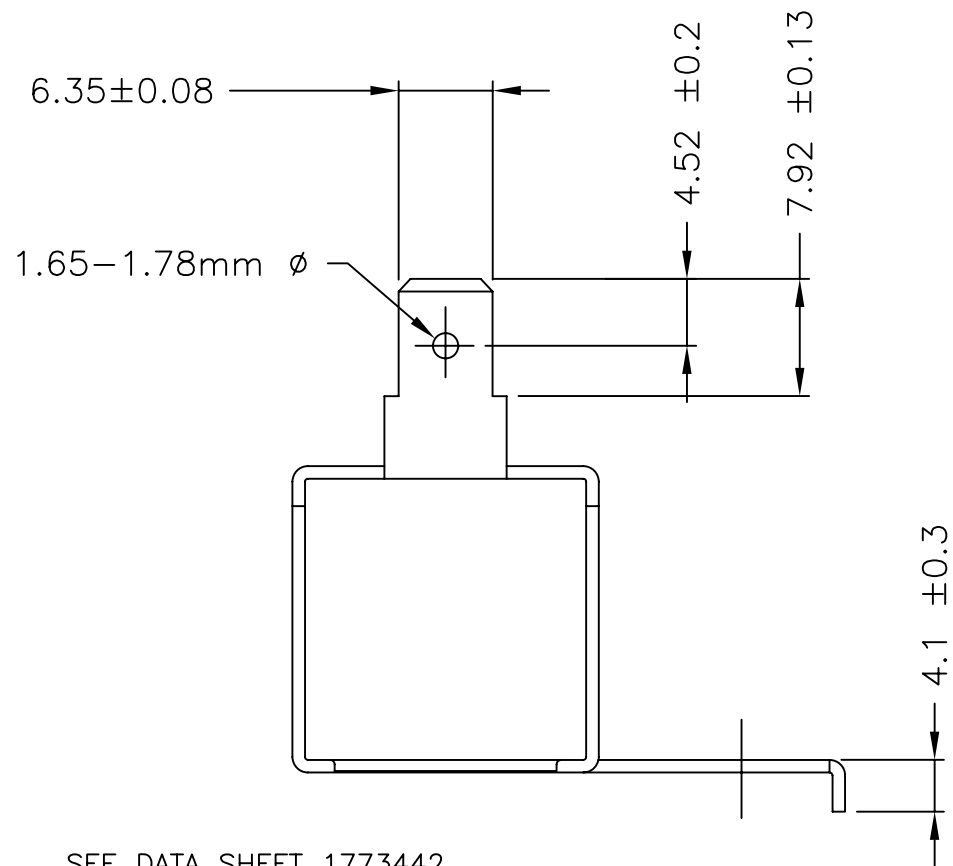
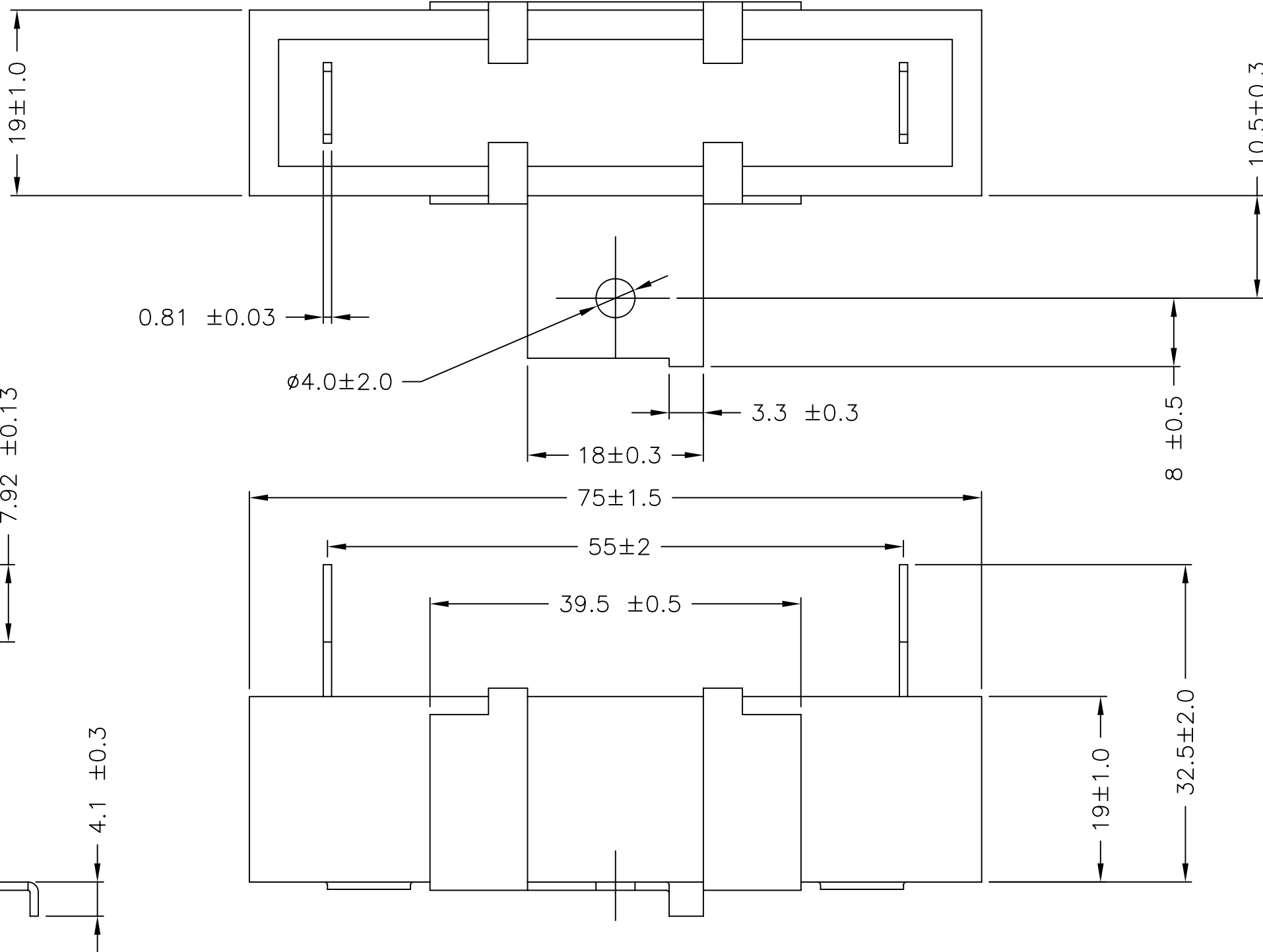
C

B

B

A

A



SEE DATA SHEET 1773442

ALL DETAILS AS PER SQB30 WITH EXCEPTION OF TERMINALS

ITEM	TYCO PART No.	OHMIC VALUE
1	1879009-1	4.7 OHMS +/- 5%

THIS DRAWING IS A CONTROLLED DOCUMENT.

DWN DAVE KENNEDY 03JAN07

CHK C MELBOURNE 03JAN07

APVD C MELBOURNE 03JAN07

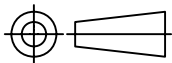


Tyco Electronics Corporation  
Dorcan, Swindon, SN3 5HH

DIMENSIONS:  
MM

TOLERANCES UNLESS OTHERWISE SPECIFIED:

- 0 PLC ± 2
- 1 PLC ± 1
- 2 PLC ± -
- 3 PLC ± -
- 4 PLC ± -
- ANGLES ± 0.5



MATERIAL -

FINISH -

PRODUCT SPEC -

APPLICATION SPEC -

WEIGHT -

NAME  
HIGH POWER RESISTOR  
SQB30 6.35mm FASTON

SIZE	CAGE CODE	DRAWING NO	RESTRICTED TO
A3	00779	C=1879009	-

CUSTOMER DRAWING SCALE 2:1 SHEET 1 OF 1 REV A

# Mouser Electronics

Authorized Distributor

Click to View Pricing, Inventory, Delivery & Lifecycle Information:

[TE Connectivity:](#)

[SQBW3010RJFASTON](#)