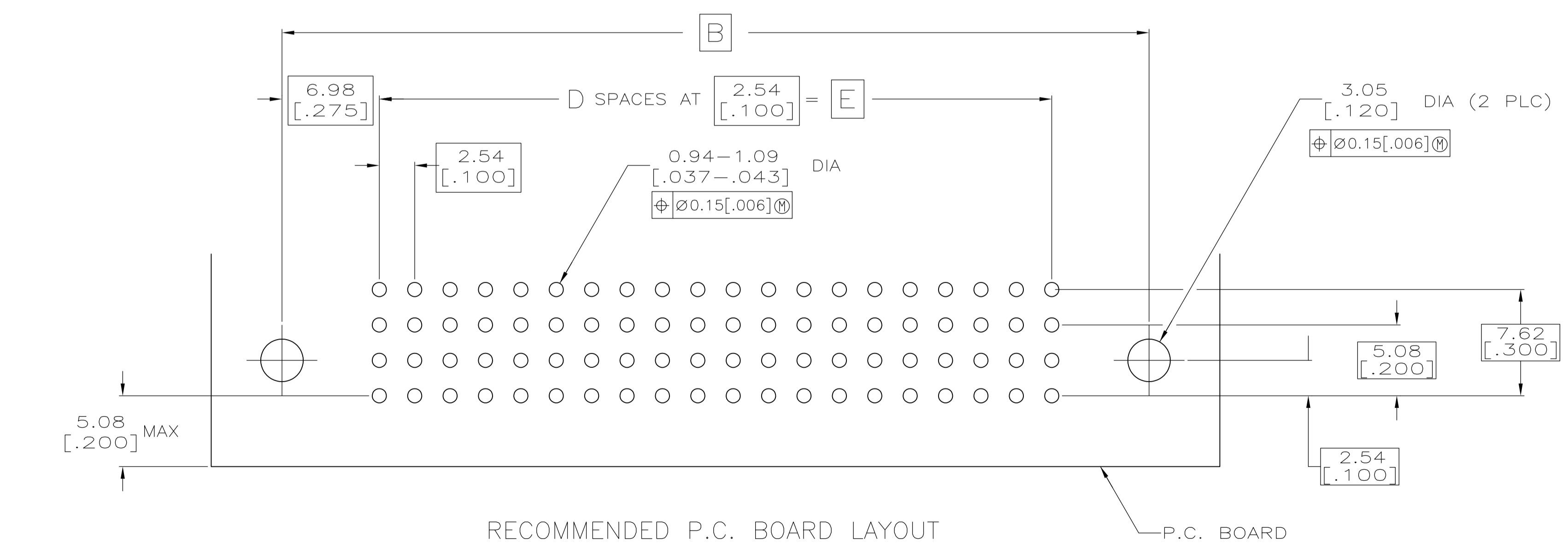
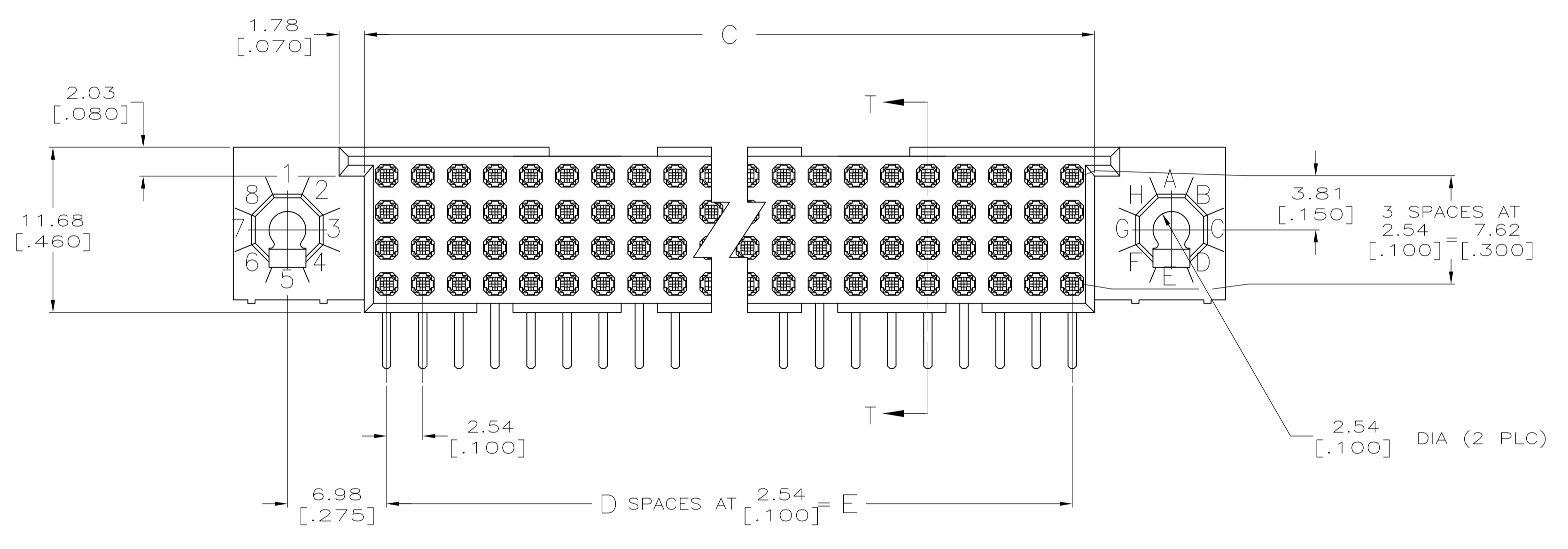
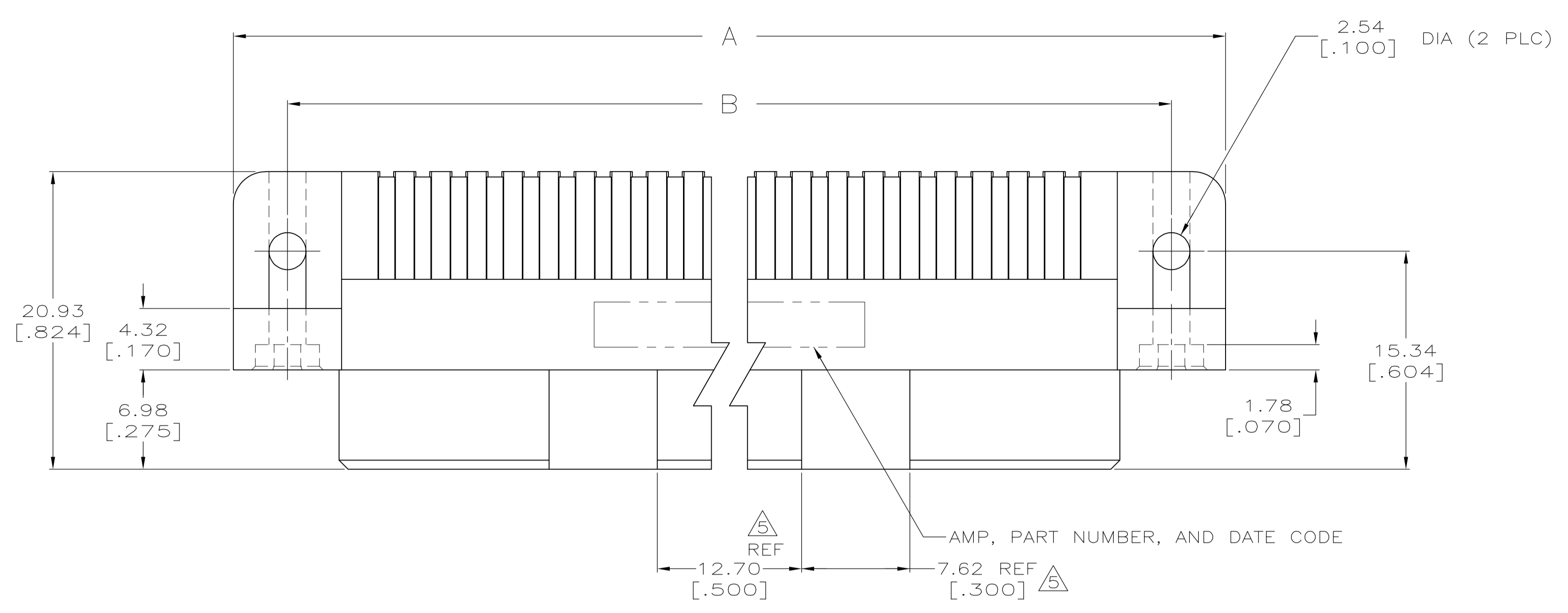
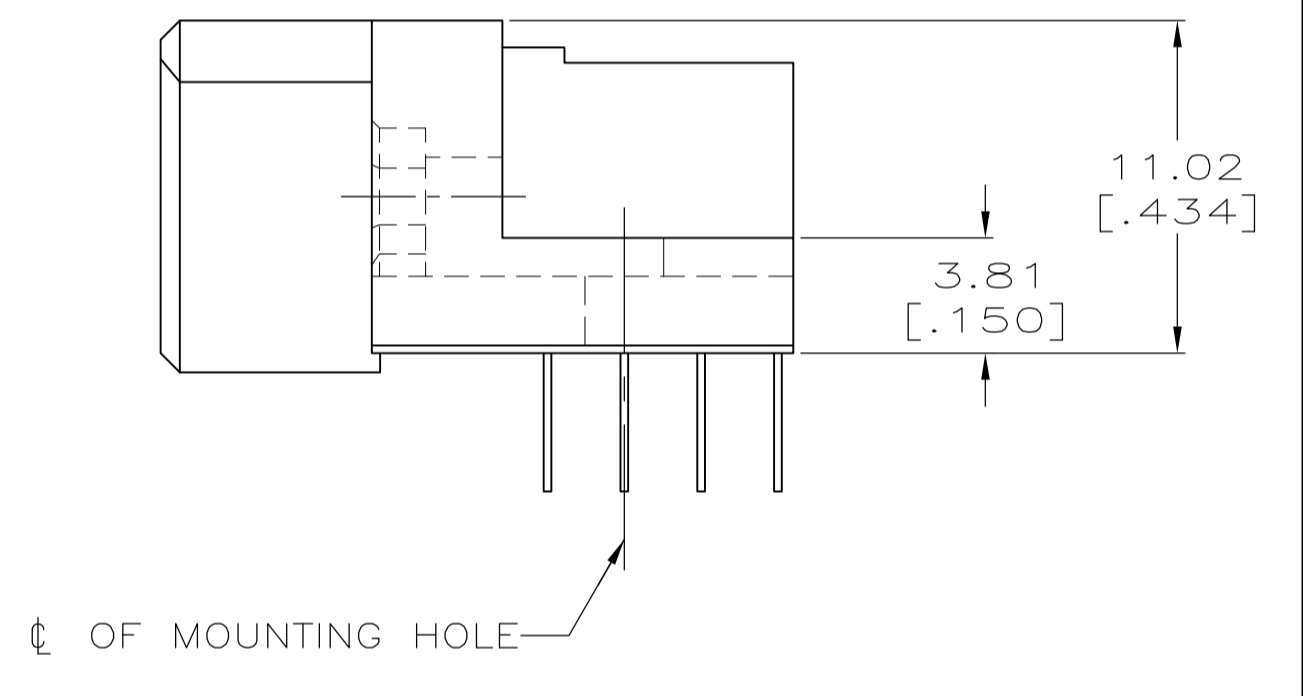
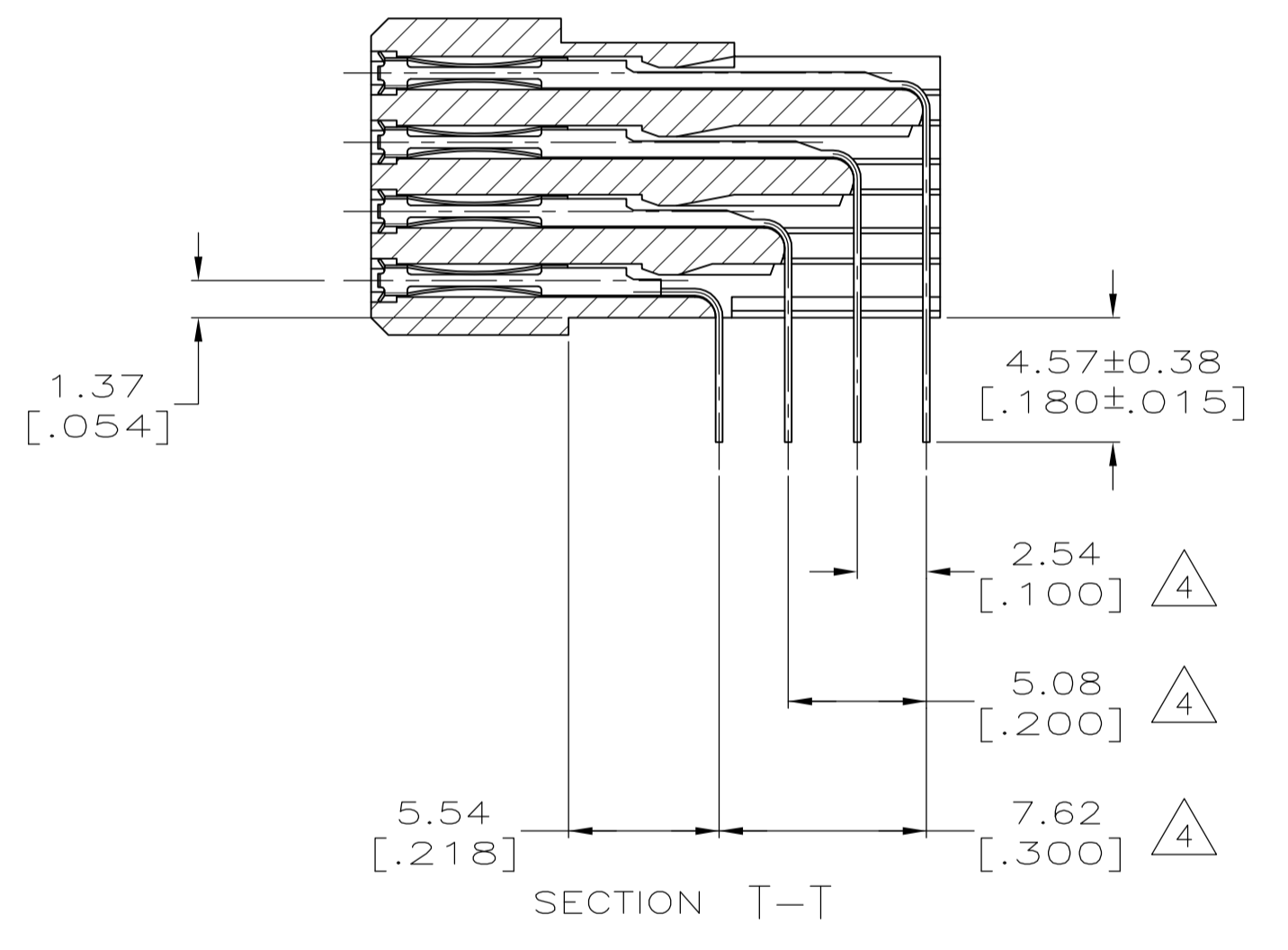


| REVISIONS | | | | | |
|-----------|-----|---------------------------|-----------|-----|------|
| P | LTR | DESCRIPTION | DATE | DMN | APVD |
| A | | REVISED PER ECO-16-010367 | 14JUL2016 | DS | SY |



- 1 HOUSING MATERIAL: THERMOPLASTIC.
- 2 CONTACT MATERIAL: COPPER ALLOY.
- 3 FINISH:
MATING AREA: MEETS THE PERFORMANCE REQUIREMENTS OF PRODUCT SPECIFICATION 108-9063; BASED ON TELCORDIA DR-1217-CORE APPLICATIONS IN UNCONTROLLED ENVIRONMENTS.
SOLDER TAILS AREA: TIN PLATED.
- 4 SOLDER TAILS MUST FIT HOLE PATTERN AS SHOWN ON THE RECOMMENDED P.C. BOARD LAYOUT.
- 5 QUANTITIES OF VOID CORING ARE DEPENDENT ON THE POSITION SIZE OF THE HOUSING.
- 6 HOUSINGS WITH CENTER MOUNTING ARE RECOMMENDED FOR ASSEMBLIES HAVING 75 CONTACTS OR MORE PER ROW.
- 7 OBSOLETE PARTS: OBSOLETE CIS STREAMLINING PER D.RENAUD/D.SINISI
- 8 CONTACT FINISH: .00127-.00254 [.000050-.000100] NICKEL UNDERPLATE ALL OVER, .000076 [.000030] GOLD PLATE IN CONTACT AREA, TIN PLATED SOLDER TAILS.



| POSN | E | D | C | B | A | POSN | PART NUMBER |
|------|----------------|----|----------------|----------------|----------------|------|-------------|
| 74 | 187.96 [7.400] | 74 | 191.11 [7.524] | 201.93 [7.950] | 209.55 [8.250] | 300 | 1-5532434-2 |
| 69 | 175.26 [6.900] | 69 | 178.41 [7.024] | 189.23 [7.450] | 196.85 [7.750] | 280 | 1-5532434-1 |
| 59 | 149.86 [5.900] | 59 | 153.01 [6.024] | 163.83 [6.450] | 171.45 [6.750] | 240 | 5532434-9 |
| 54 | 137.16 [5.400] | 54 | 140.31 [5.524] | 151.13 [5.950] | 158.75 [6.250] | 220 | 5532434-8 |
| 49 | 124.46 [4.900] | 49 | 127.61 [5.024] | 138.43 [5.450] | 146.05 [5.750] | 200 | 5532434-7 |
| 44 | 111.76 [4.400] | 44 | 114.91 [4.524] | 125.73 [4.950] | 133.35 [5.250] | 180 | 5532434-6 |
| 39 | 99.06 [3.900] | 39 | 102.21 [4.024] | 113.03 [4.450] | 120.65 [4.750] | 160 | 5532434-5 |
| 34 | 86.36 [3.400] | 34 | 89.51 [3.524] | 100.33 [3.950] | 107.95 [4.250] | 140 | 5532434-4 |
| 24 | 60.96 [2.400] | 24 | 64.11 [2.524] | 74.93 [2.950] | 82.55 [3.250] | 100 | 5532434-1 |

THIS DRAWING IS A CONTROLLED DOCUMENT.

DIMENSIONS: mm [INCHES]

TOLERANCES UNLESS OTHERWISE SPECIFIED:

| | |
|--------|--------|
| 0 PLC | ± .01 |
| 1 PLC | ± .015 |
| 2 PLC | ± .02 |
| 3 PLC | ± .03 |
| 4 PLC | ± .05 |
| ANGLES | ± .1 |

MATERIAL: 1 2

FINISH: 3

THIS DRAWING IS A CONTROLLED DOCUMENT. DIN J. POLIGNONE 10JUN05

CHK: A. SHARPE 10JUN05

APVD: A. SHARPE 10JUN05

NAME: ASSY, REC, RIGHT ANGLE, HDI LEAD FREE, 4 ROW, W/O GUIDES 4.57[.180] SOLDER POSTS

PRODUCT SPEC: APPLICATION SPEC

SIZE: A1

WEIGHT: 0.000000

CAGE CODE: 00779

DRAWING NO: 5532434

CUSTOMER DRAWING

SCALE: 4:1

SHEET: 1 OF 1

REV: A

Mouser Electronics

Authorized Distributor

Click to View Pricing, Inventory, Delivery & Lifecycle Information:

[TE Connectivity:](#)

[5532434-8](#)