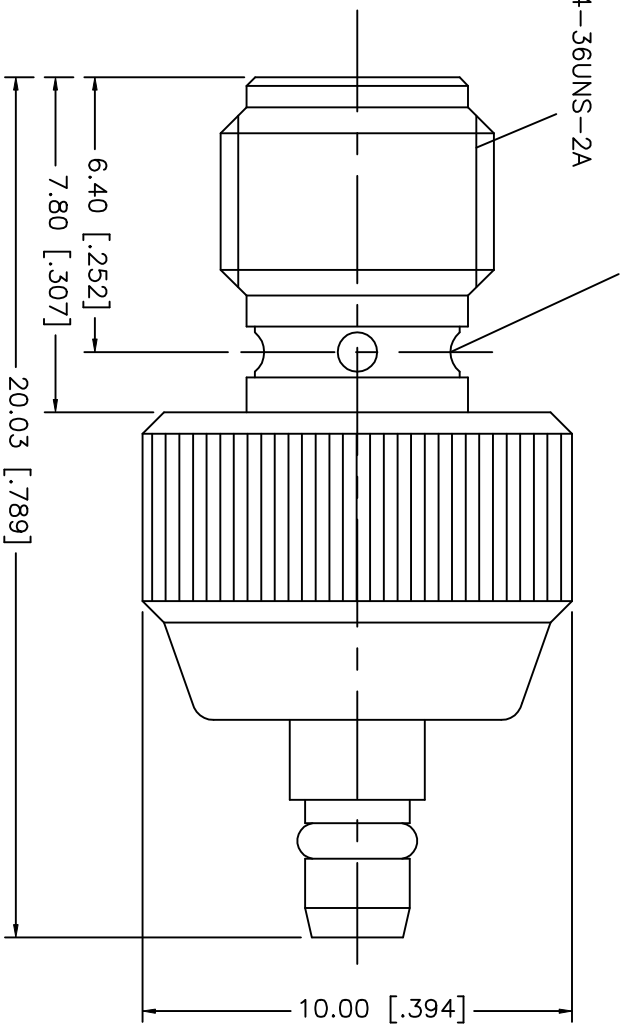


REV.	DATE	DESCRIPTION
NC	09/22/02	INITIAL RELEASE

STAKE IN 4 PLACES
EQUALLY SPACED 90° APART

1/4-36UNS-2A



8																				
7																				
6																				
5	RETAINER RING	BER. COPPER	GOLD																	
4	CONTACT PIN	BER. COPPER	GOLD																	
3	INSULATOR	TEFLON	NATURAL																	
2	BODY	BRASS	GOLD																	
1	HOUSING	BRASS	GOLD																	
	DESCRIPTION	MATERIAL	FINISH																	
				UNLESS OTHERWISE SPECIFIED DIMENSIONS ARE IN MILLIMETERS				APPROVALS		DATE										
				DIMENSIONS IN [] ARE IN INCHES FOR CUSTOMER REFERENCE ONLY				DRAWN G.R.S.		09/22/02										
				UNLESS OTHERWISE SPECIFIED TOLERANCES FOR INCHES ARE: .XXX = ± 0.005" .XX = ± 0.010" .X = ± 0.020"				CHECKED												
				DO NOT SCALE DRAWING				ISSUED												
												TITLE								
												SMA JACK TO MMCX PLUG ADAPTER								
												Amphenol - Connex CONNECTOR CORPORATION								
SIZE		FSOM NO.		DWC. NO.		REV.		SCALE		PART NO.		SHEET		OF						
A		99001		242141		NC		NA		242141		1		1						

Mouser Electronics

Authorized Distributor

Click to View Pricing, Inventory, Delivery & Lifecycle Information:

[Amphenol:](#)

[242141](#)