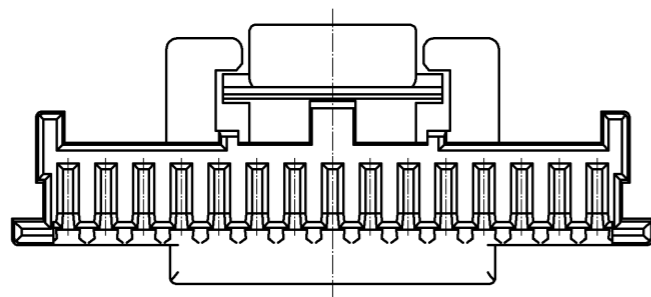
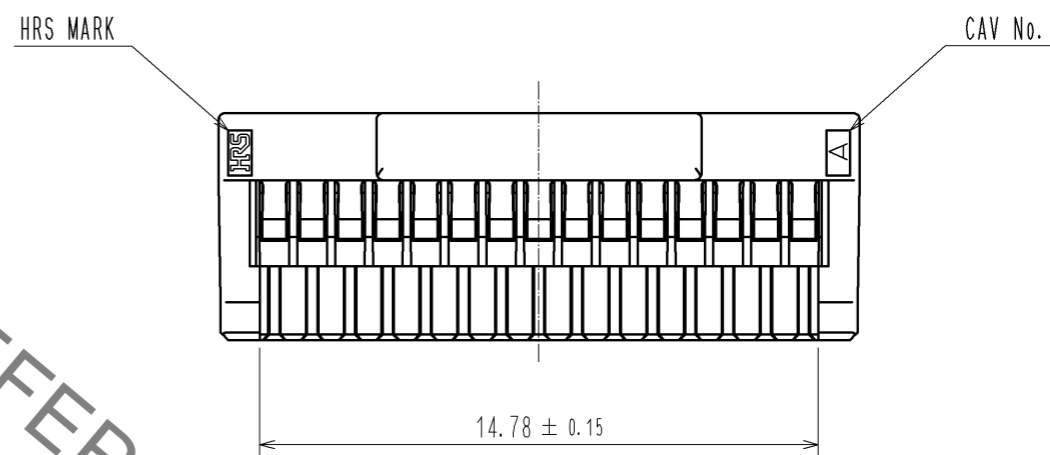
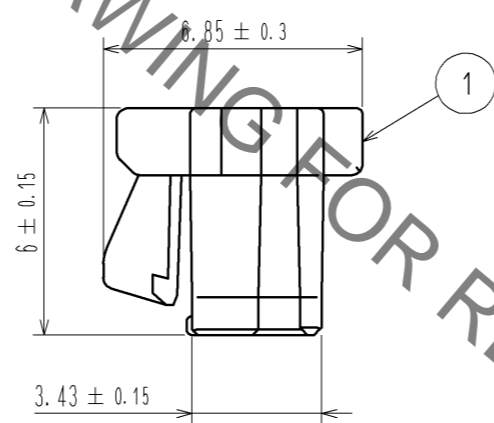
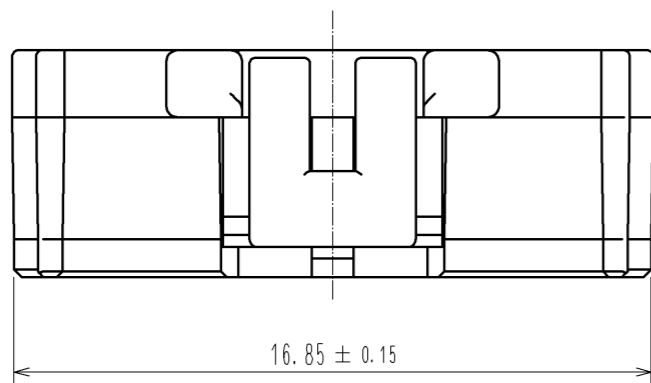
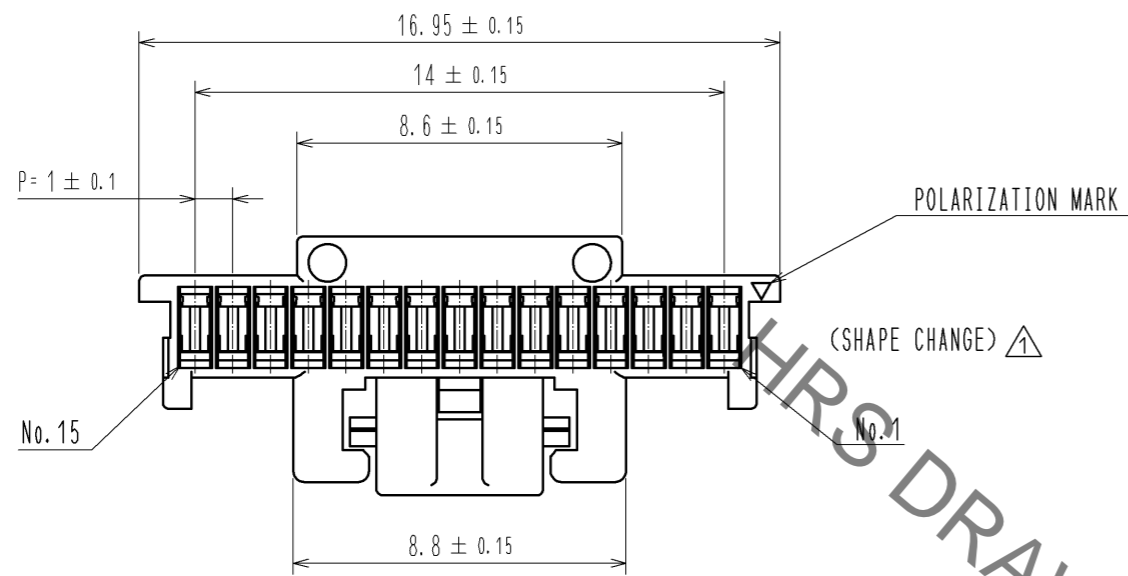


Sep.1.2020 Copyright 2020 HIROSE ELECTRIC CO., LTD. All Rights Reserved.
 In case of consideration for using Automotive equipment / device which demand high reliability, kindly contact our sales window correspondents.



NOTE1. PER PACK:100 PIECS

| | | | | | | | | | | | |
|----------|--|--------------|--|------------------|--|--------------------------|--|-----------------|--|----------------|--|
| NO. | | MATERIAL | | FINISH . REMARKS | | 1 | | PBT | | UL94V-0. BLACK | |
| UNITS | | SCALE | | COUNT | | DESCRIPTION OF REVISIONS | | DESIGNED | | CHECKED | |
| mm | | 5 : 1 | | 1 | | DIS-H-005903 | | KT. ISHII | | OM. MIYAMOTO | |
| APPROVED | | KI. AKIYAMA | | 10.12.10 | | DRAWING NO. | | EDC3-329682-00 | | | |
| CHECKED | | OM. MIYAMOTO | | 10.12.10 | | PART NO. | | DF50A-15S-1C | | | |
| DESIGNED | | TT. OHSAKO | | 10.12.09 | | CODE NO. | | CL665-1028-0-00 | | | |
| DRAWN | | TT. OHSAKO | | 10.12.09 | | | | | | | |