

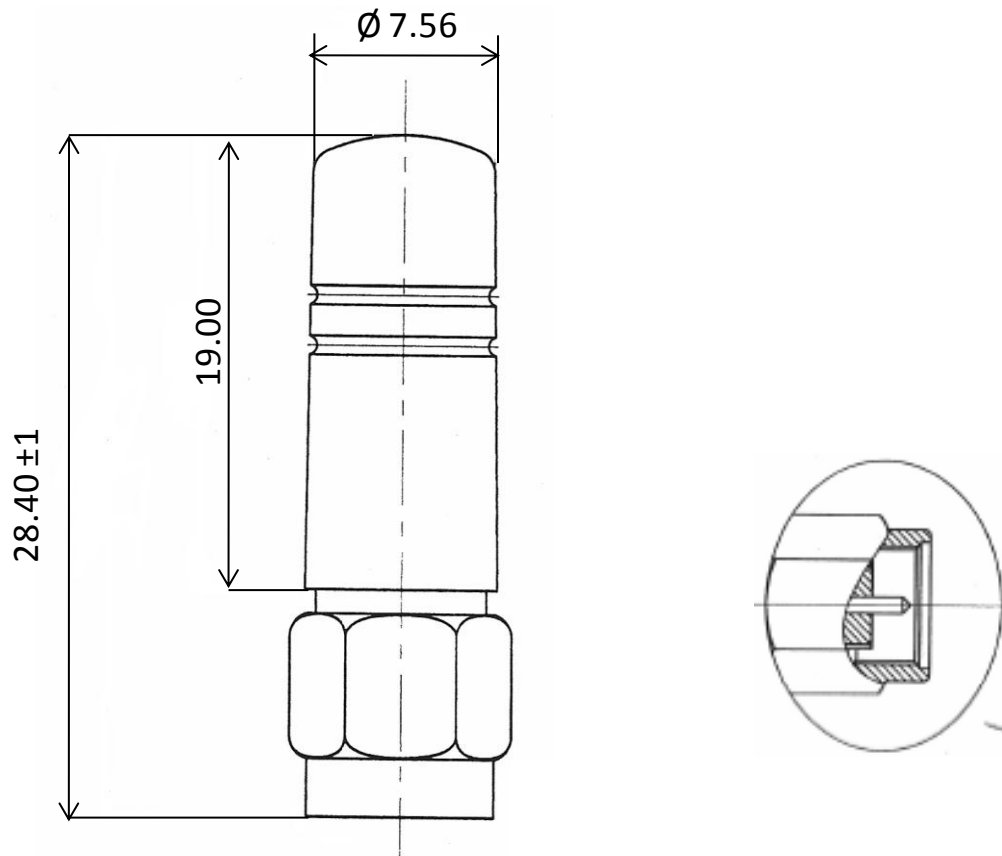


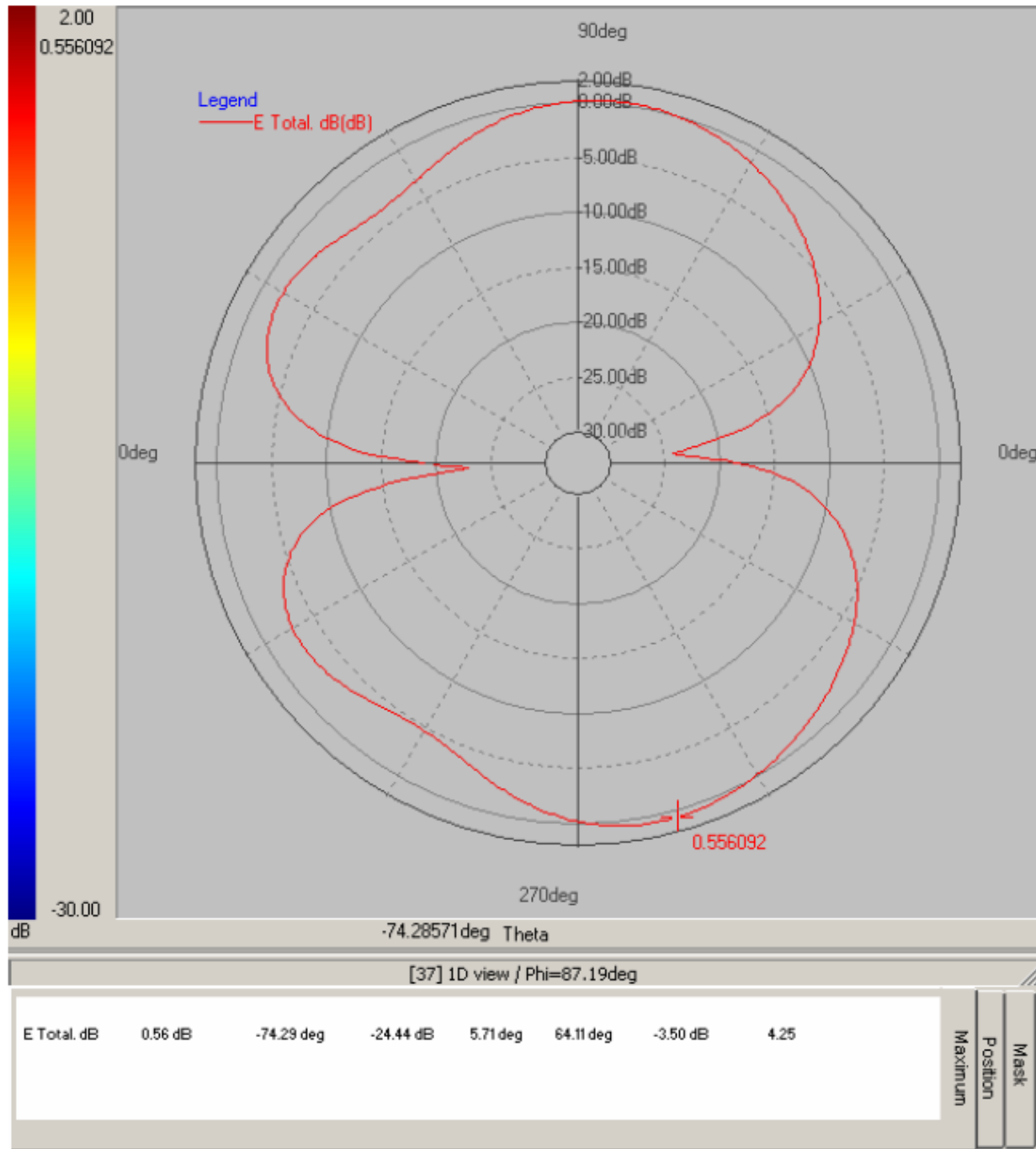
RN-SMA-S

1" short antenna with SMA connector

Frequency: 2.4 GHz

Connector: SMA-male





Frequency (MHz): 2450.00

Pattern Field: E Plane

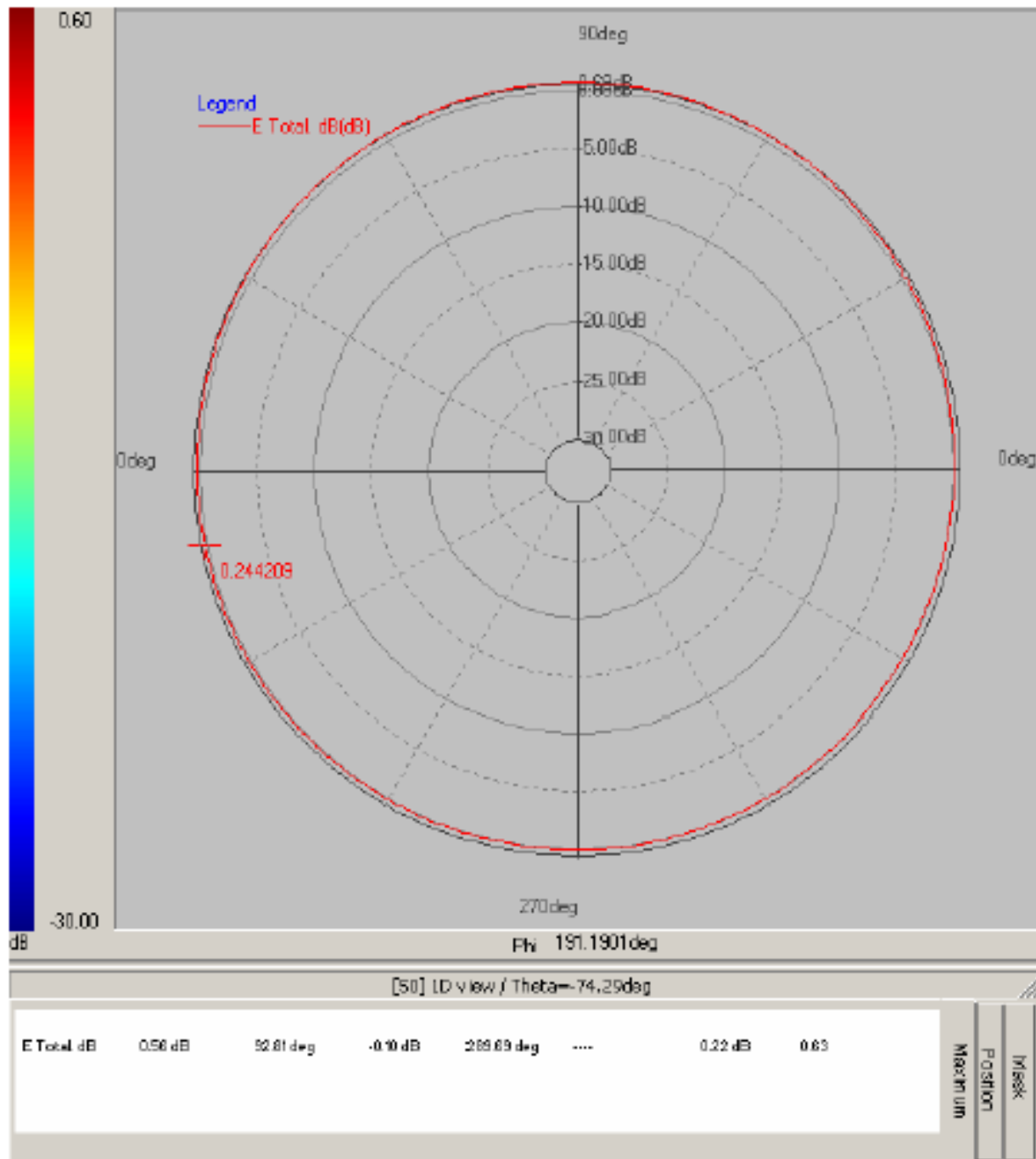
Average Gain: -3.5 dB

Maximum Gain: 0.56 dB

Maximum Gain (degree): -74.29

Minimum Gain: -24.44 dB

Minimum Gain (degree): 5.71



Frequency (MHz): 2450.00

Pattern Field: H Plane

Average Gain: 0.22dB

Maximum Gain: 0.56 dB

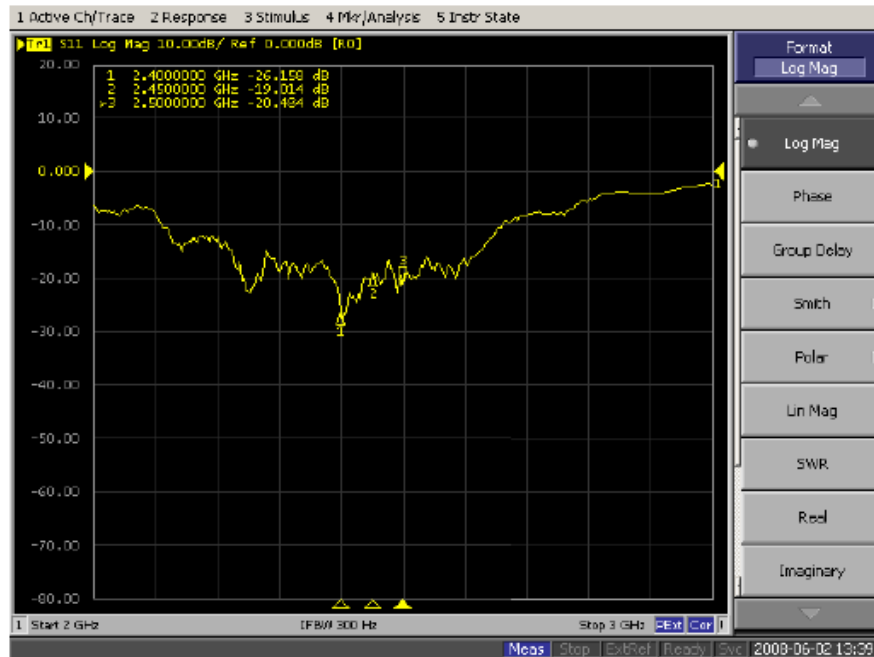
Maximum Gain (degree): 92.81

Minimum Gain: -0.10 dB

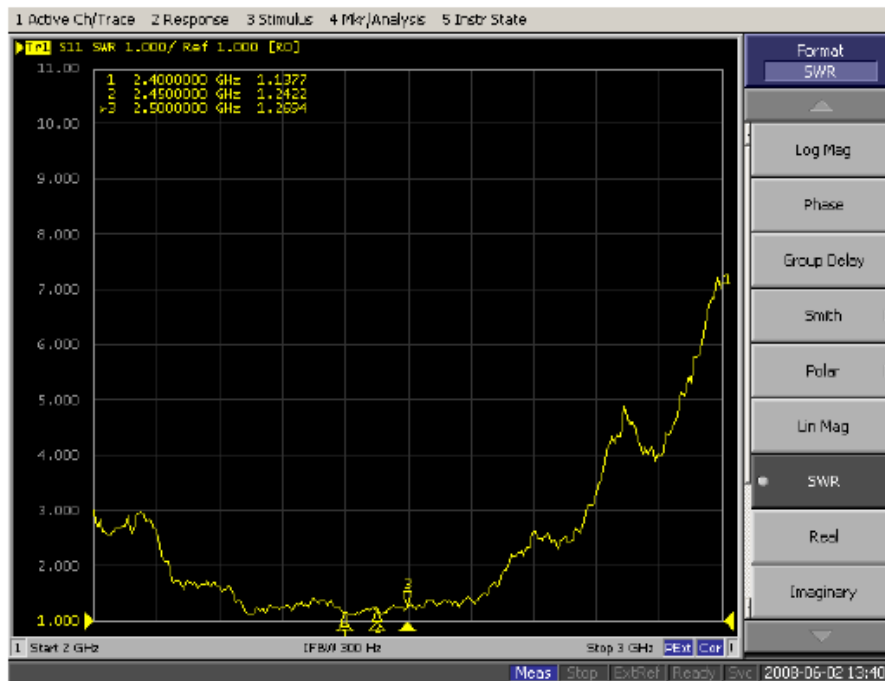
Minimum Gain (degree): 289.69



S11



VSWR



Mouser Electronics

Authorized Distributor

Click to View Pricing, Inventory, Delivery & Lifecycle Information:

[Microchip:](#)

[RN-SMA-S](#)