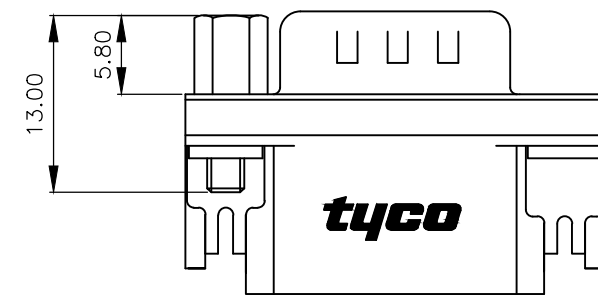
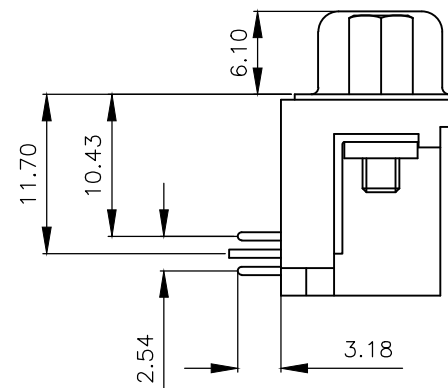
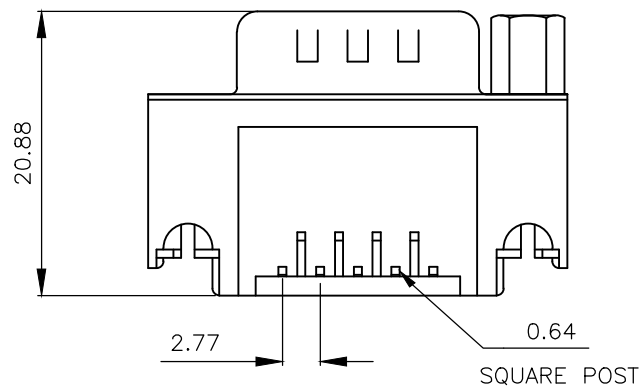
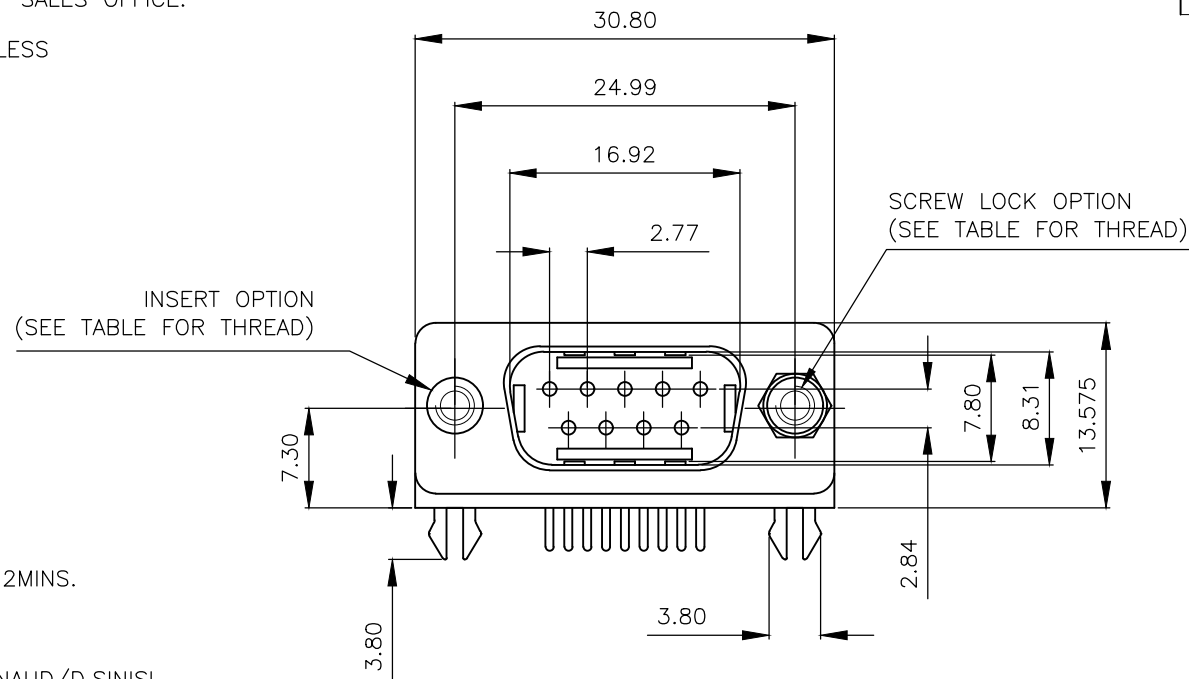


THIS DRAWING IS UNPUBLISHED. RELEASED FOR PUBLICATION ALL RIGHTS RESERVED.

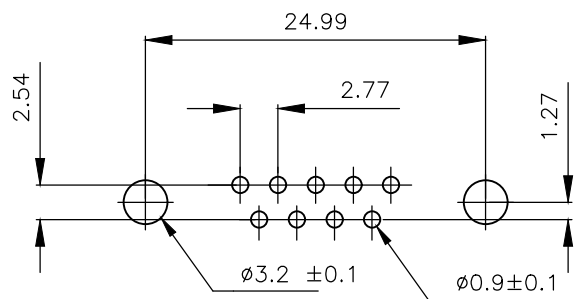
LOC	DIST	REVISIONS					
E	B	P	LTR	DESCRIPTION	DATE	DWN	APVD
		D		REVISED PER ECO-17-012925	20FEB2018	AP	DG

- 1 FOR LOCAL DATA REFER TO YOUR LOCAL TE CONNECTIVITY SALES OFFICE.
- 2 ALL DIMENSIONS ARE NOMINAL FOR REFERENCE ONLY UNLESS OTHERWISE STATED.
- 3 MATERIAL :
HOUSING : THERMOPLASTIC, UL94V-0
BLACK COLOR
CONTACTS : BRASS
SHELL : STEEL
BOARDLOCK : BRASS
SCREW : BRASS
- 4 FINISH :
CONTACT : 0.38µm MIN.GOLD PLATED ON CONTACT AREA
2.54µm MIN. TIN PLATED ON SOLDERTAILS
1.27µm MIN. NICKEL UNDERPLATED OVERALL
SHELL : 2.54 µm MIN NICKEL PLATED.
BOARD LOCK : 1.52µm MIN. TIN PLATED
SCREW : 1.27µm MIN. NICKEL PLATED.
- 5 CHARACTERISTICS
CURRENT RATING : 5A
INSULATION RESISTANCE : 1000MOHMS MIN, 500VDC FOR 2MINS.
TEMPERATURE RATING : -55DEGC ~ +105DEGC
VOLTAGE RATING : 250VDC

6 OBSOLETE PARTS: OBSOLETE CIS STREAMLINING PER D.RENAUD/D.SINISI.



P.C.B. LAYOUT



6 OBSOLETE	9 WAY D PLUG WITH BOARD LOCKS & 2 x M3 SCREW LOCKS, 0.38µm GOLD, RIGHT ANGLE	4-1634580-2
SUPERSEDED BY 2301843-2	9 WAY D PLUG WITH BOARD LOCKS & 2 x 4-40 SCREW LOCKS, 0.38µm GOLD, RIGHT ANGLE	3-1634580-2
6 OBSOLETE	9 WAY D PLUG WITH BOARD LOCKS & 2 x M3 INSERTS, 0.38µm GOLD, RIGHT ANGLE	2-1634580-2
SUPERSEDED BY 2301843-1	9 WAY D PLUG WITH BOARD LOCKS & 2 x 4-40 INSERTS, 0.38µm GOLD, RIGHT ANGLE	1-1634580-2
DESCRIPTION		PART No.

THIS DRAWING IS A CONTROLLED DOCUMENT.		DWN J.SANDWELL 15SEP2003	STE TE Connectivity	
DIMENSIONS: mm		CHK S.EBBUTT 15SEP2003		
TOLERANCES UNLESS OTHERWISE SPECIFIED:		APVD F.WHEELER-KING 15SEP2003	NAME 9 WAY D-SUB PLUG WITH BOARD LOCK	
0 PLC ± -		PRODUCT SPEC	-	
1 PLC ± -		APPLICATION SPEC	-	
2 PLC ± -		WEIGHT	SIZE A3	CAGE CODE 00779
3 PLC ± -		CUSTOMER DRAWING	DRAWING NO	C-1634580
4 PLC ± -			RESTRICTED TO	-
ANGLES ± -		SCALE NTS SHEET 1 OF 2 REV D		
FINISH -				
MATERIAL SEE NOTE				

THIS DRAWING IS UNPUBLISHED.

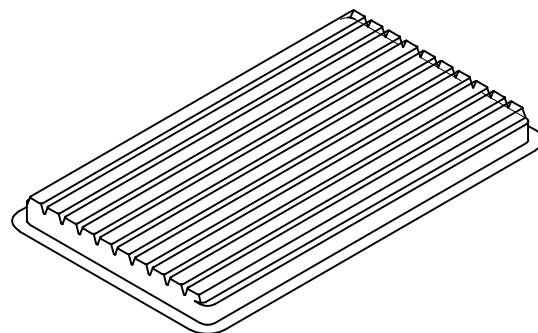
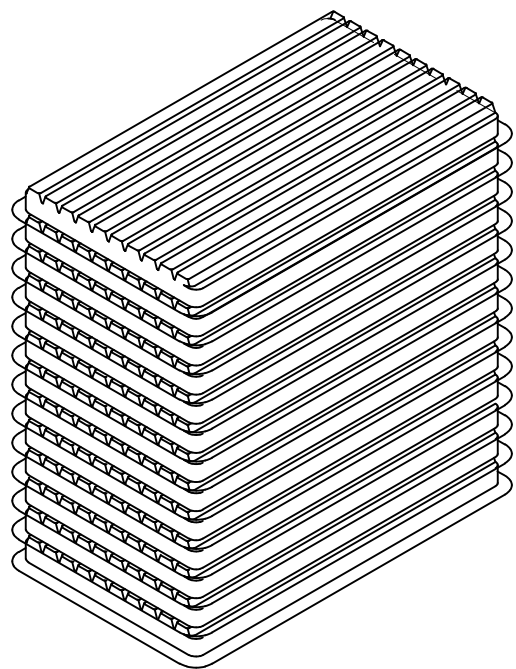
RELEASED FOR PUBLICATION

-, - .

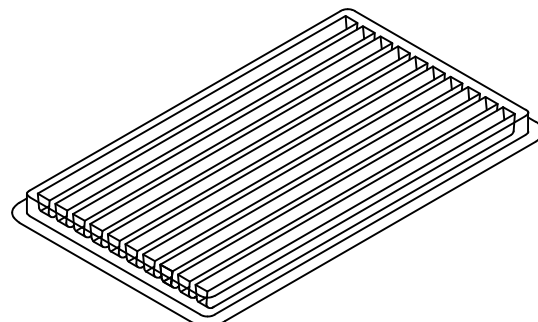
ALL RIGHTS RESERVED.

© COPYRIGHT - By -

LOC	DIST	REVISIONS			
P	LTR	DESCRIPTION	DATE	DWN	APVD
	-	SEE SHEET 1	-	-	-



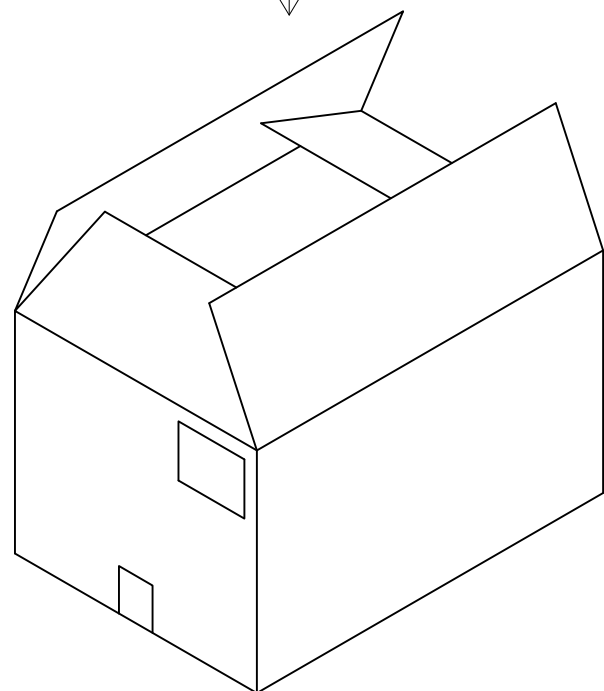
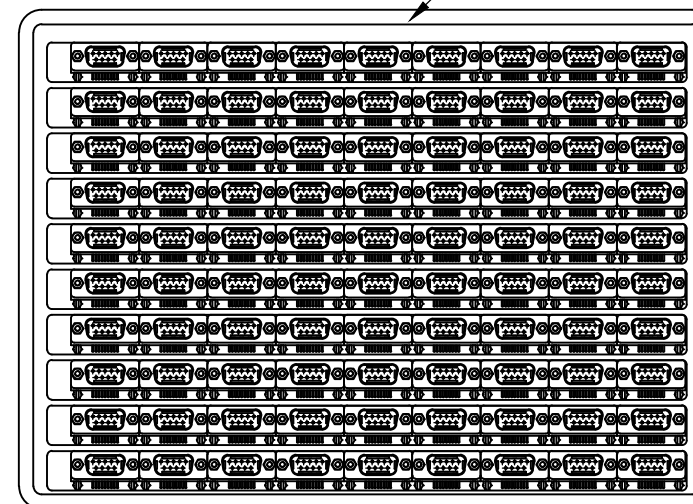
COVER




TRAY

- 1 DIMENSION:
TRAY:L=310,W=220,H=23
SHIPPING BOX:L=335,W=230,H=320
- 2 QUANTITY:
90 PCS/TRAY
13 TRAY/SHIPPING BOX

Tray Layout



THIS DRAWING IS A CONTROLLED DOCUMENT.		DWN J.SANDWELL 15SEP2003	 TE Connectivity														
DIMENSIONS: mm		CHK S.EBBUTT 15SEP2003															
TOLERANCES UNLESS OTHERWISE SPECIFIED:		APVD F.WHEELER-KING 15SEP2003	NAME 9 WAY D-SUB PLUG WITH BOARD LOCK														
<table border="0"> <tr><td>0 PLC</td><td>± -</td></tr> <tr><td>1 PLC</td><td>± -</td></tr> <tr><td>2 PLC</td><td>± -</td></tr> <tr><td>3 PLC</td><td>± -</td></tr> <tr><td>4 PLC</td><td>± -</td></tr> <tr><td>ANGLES</td><td>± -</td></tr> </table>		0 PLC	± -	1 PLC	± -	2 PLC	± -	3 PLC	± -	4 PLC	± -	ANGLES	± -	PRODUCT SPEC -	-		
0 PLC	± -																
1 PLC	± -																
2 PLC	± -																
3 PLC	± -																
4 PLC	± -																
ANGLES	± -																
MATERIAL SEE NOTE		FINISH -	APPLICATION SPEC -	SIZE A3	CAGE CODE 00779	DRAWING NO C-1634580	RESTRICTED TO -										
CUSTOMER DRAWING			WEIGHT -	SCALE NTS	SHEET 2 OF 2	REV D											