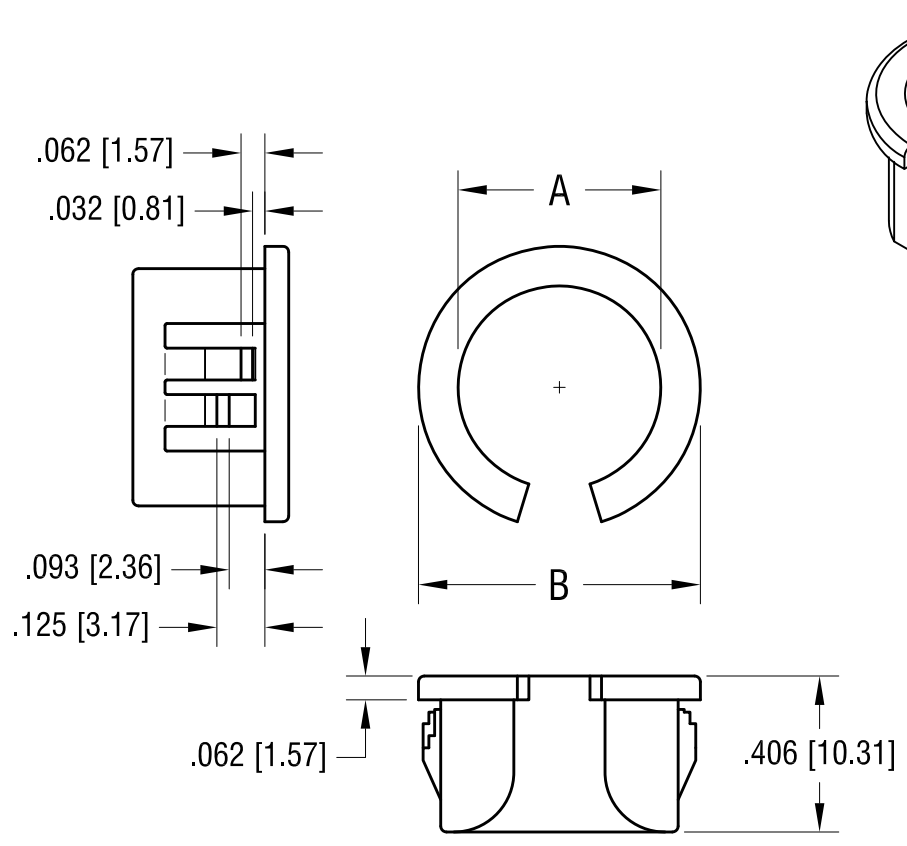


THIS DOCUMENT IS THE PROPERTY OF
KEYSTONE ELECTRONICS CORP. AND
SHALL NOT BE REPRODUCED, DISTRIBUTED
OR USED AS A BASIS FOR MANUFACTURE
WITHOUT PRIOR WRITTEN PERMISSION
FROM KEYSTONE ELECTRONICS CORP.



MOUNTING HOLE	'A' DIA.	'B' DIA.
.625 [15.88]	.453 [11.51]	.687 [17.45]

KEYSTONE ELECTRONICS CORP.
www.keyelco.com • ASTORIA, N.Y. 11105-2017 • Tel (718) 956-8900

PART NAME			NYLON SPLIT BUSHING		
MATERIAL			NYLON 6/6, BLACK UL 94V-2		
FINISH		DRN BY	BOONE	DATE	1.18.07
-		APP'D	LN	SCALE	NONE
TOLERANCES		INCH	[MM]	CODE	DWG NO.
DECIMAL		± .015	[± 0.38]	C	8493
ANGULAR		± 1°	UNLESS OTHERWISE SPECIFIED		

DATE	DESCRIPTION	REV.

Mouser Electronics

Authorized Distributor

Click to View Pricing, Inventory, Delivery & Lifecycle Information:

[Keystone Electronics:](#)

[8493](#)