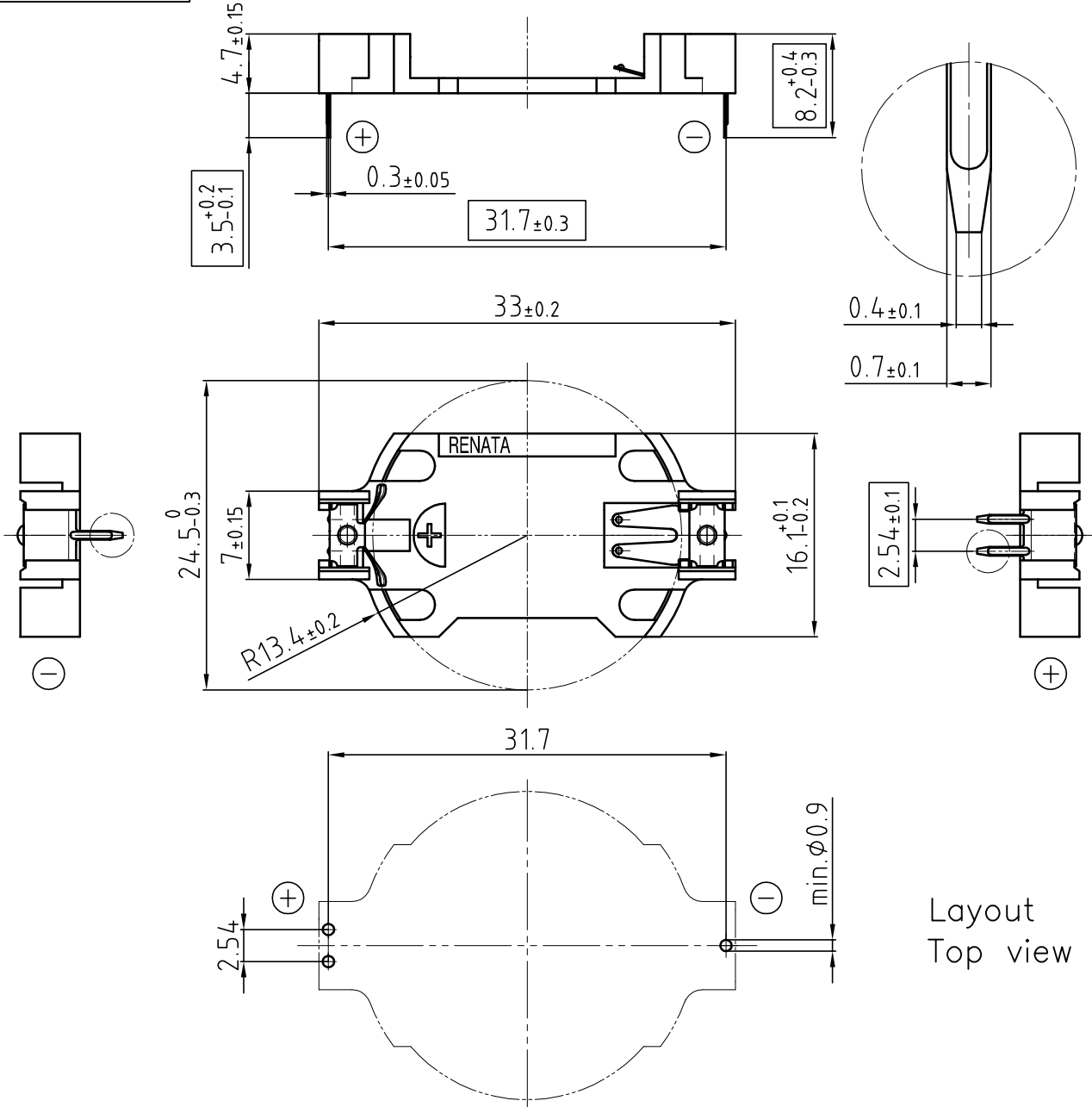


Art.-Number: 701107



Samples can deviate in the execution from the serie.

Dimensions and tolerances can be specified only after the testing of the devices for the mass production definitely

- Holder material : heat resistant, glass-fiber reinforced LCP
- Battery contacts : spring stainless steel 301 nickel plated throughout
- Solder contacts : spring stainless steel 301 solder area tin-plated throughout, min. thickness 5µm

All framed values will be used for dimension checking !

Rev.	①	10.09.07	MCI	Rev.	○			Customer's Approval			
Rev.	②	18.09.10	Wu Ping	Rev.	○			Date			
Rev.	○			Rev.	○			Signature			
Titel:							Scale 2:1	Drawn	21.01.05	SRI	
HU2430-LF								Checked	23.09.10	SRI	
								Approved			
							CH-4452 Itingen Switzerland		3.8752.4-2		

# Mouser Electronics

Authorized Distributor

Click to View Pricing, Inventory, Delivery & Lifecycle Information:

[Renata:](#)

[HU2430-LF](#)