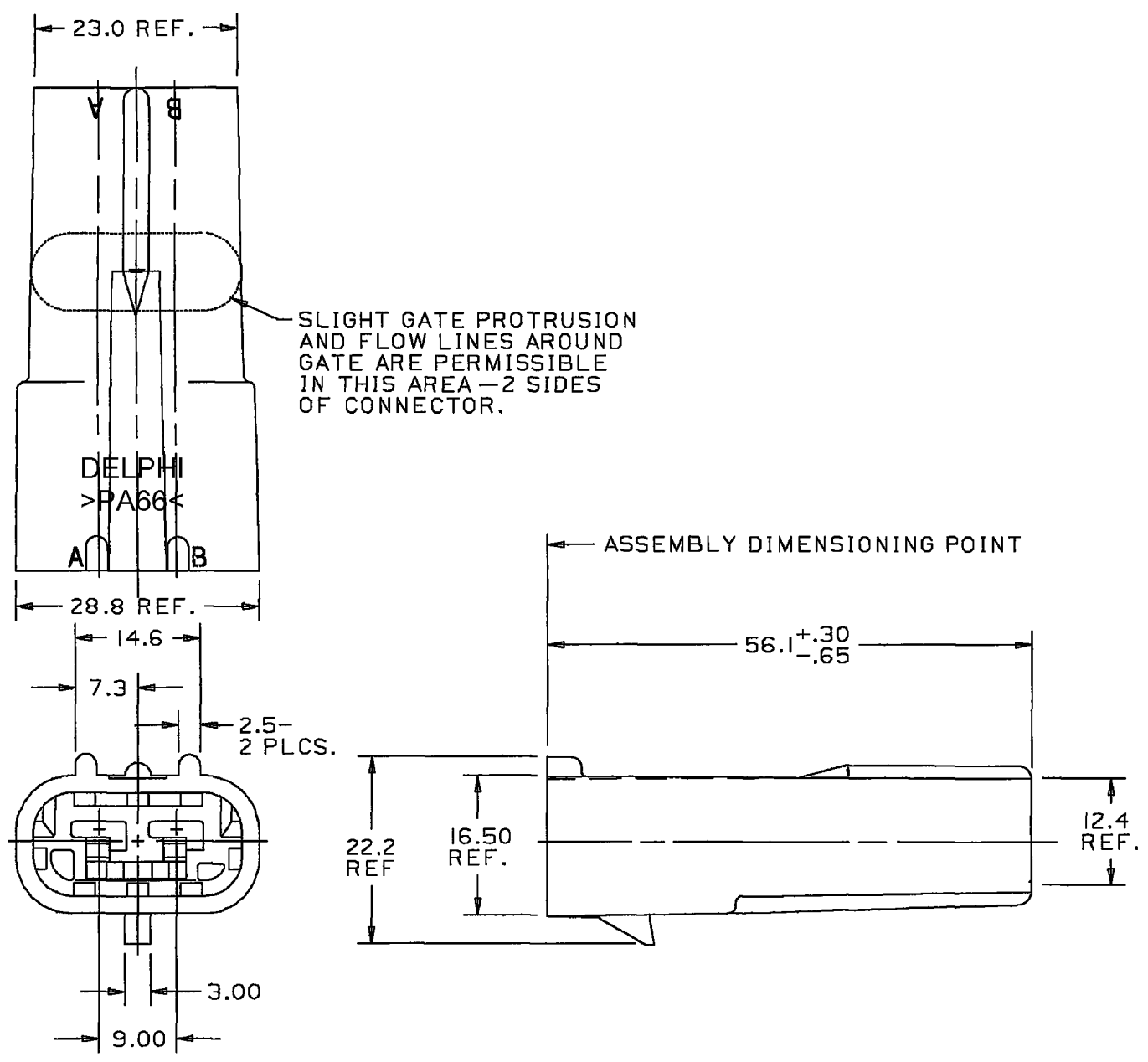


DWG STATUS				ZONE	REVISION HISTORY				AUTH	DR	APVD	APVD
DATE	STG	REV	N/P	CHG							1	2
30MY02	R	J4	-	-				CLEARED REV COL; MAT'L SPEC WAS R0071754, ADDED LOGO NOTE & RECYCLING CODE NOTE	225854	RH	RH	ET



- NOTES**
1. CAVITIES TO ACCEPT I2066493 TERMINAL OR EQUIV.
 2. CAVITIES TO ACCEPT I2034364 TWO WAY CABLE SEAL.
 3. CONNECTOR TO ACCEPT I2034363 SECONDARY LOCK.
 4. MATING CONNECTOR/SEAL ASSEMBLY-I2033769.
 5. SEALING CODE 3.
 6. (2.3) X (0.1) RAISED DELPHI CORPORATE BRAND TO BE LOCATED ON ANY EXTERIOR SURFACE, PREFERABLY VISIBLE AT FINAL ASSEMBLY. OPTIONAL CONSTRUCTION TO BE "PED" OR NO LOGO.
 7. MATERIAL RECYCLING CODE >PA66< PER SAE J1344. (2.3) X (0.1) RAISED CHARACTERS AS SHOWN TO BE LOCATED ON ANY EXTERIOR SURFACE. OPTIONAL CONSTRUCTION TO BE NO MATERIAL RECYCLING CODE.

DWG TYPE		PART DRAWING	
STYLE		DATE	22DE86
VOLUME (CM) ³		APVD1	F. HESTON
ROUTING	6901	APVD2	B. SERBIN
		APVD3	J. DAUGHERTY
		APVD4	
		APVD5	
UNLESS OTHERWISE SPECIFIED			
THIS DOCUMENT IS IN ACCORDANCE WITH ASME Y14.5M-1994, AS AMENDED BY THE QM GLOBAL DIMENSIONING AND TOLERANCING ADDENDUM - 1997. ALL GEOMETRIC TOLERANCES AND RELATED DATUMS APPLY UNLESS SPECIFIED OTHERWISE. DIMENSIONS ARE GIVEN UNLESS OTHERWISE SPECIFIED. DIMENSIONS ARE GIVEN UNLESS OTHERWISE SPECIFIED. DIMENSIONS ARE GIVEN UNLESS OTHERWISE SPECIFIED.			
REFERENCE			
DO NOT SCALE			
SE SOLID EDGE			

DELPHI
DELPHI PACKARD ELECTRIC SYSTEMS
WARREN, OH

DR	J. KRAUSE	DATE	22DE86
APVD1	F. HESTON		06JA87
APVD2	B. SERBIN		06JA87
APVD3	J. DAUGHERTY		06JA87
APVD4			
APVD5			

SUBSTANCES OF CONCERN AND RECYCLED CONTENT PER DELPHI PA 12849001

MATERIAL
M3592001 PA66 HS IM BLK

DRAWING NAME
CONN 2M M/P 630

DRAWING NUMBER
12034269

SIZE	SCALE	FRAME NO	SHEET NO	STG	REV	N/P
A1	2:1	1 OF 1	1 OF 1	R	J4	-

TOLERANCE UNLESS OTHERWISE SPECIFIED
DECIMAL:
ONE PLACE ± 0.1
TWO PLACE ± 0.15
ANGULAR ± 2°

Mouser Electronics

Authorized Distributor

Click to View Pricing, Inventory, Delivery & Lifecycle Information:

[Aptiv:](#)

[12034269](#)