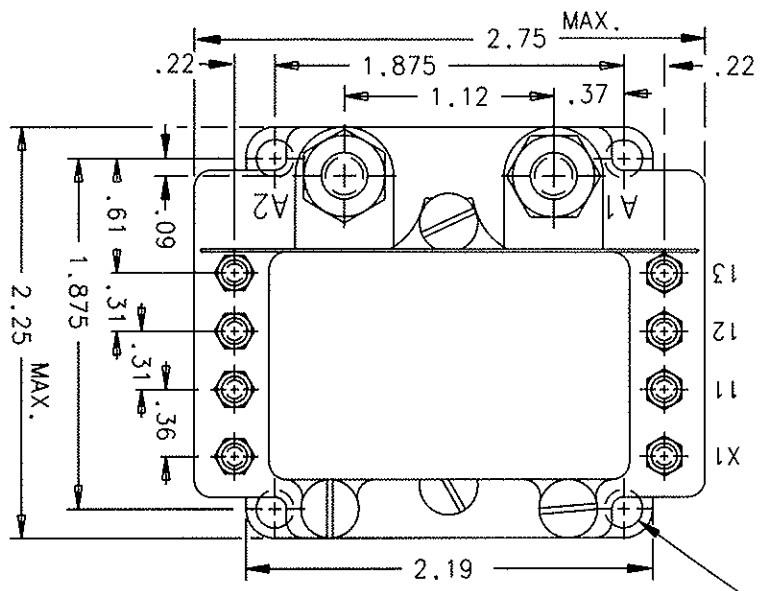


REV.	DESCRIPTION	DATE	APPROVED
K	21709 REBAMN. ADDED *SILASTIC SEALED* TO CONSTRUCTION	92/01/10	WS
L	31184 FIND NO 10 ADDED. QTY WAS 2 ON FIND NOS 4 & 8	96/10/14	RS
M	42110 FIND NO 10 WAS 39529-055. NOTE 1 ADDED	00/03/31	RS
N	0071-04 REMOVED ITEM 10. ITEM 3 WAS 41895-001	04/06/01	CS



203 DIA. HOLE  
4 MTG. HOLES  
SEE NOTE 1

CONSTRUCTION

MAIN CONTACTS

CONFIGURATION  
VOLTAGE (NOM.)  
CURRENT RES.  
INRUSH

AUXILIARY CONTACTS

CONFIGURATION  
VOLTAGE  
CURRENT RES.  
IND.

COIL DATA

MAX OPERATE  
MIN OPERATE  
PICKUP AT 25°C  
DROPOUT  
RES AT 25°C  
DUTY CYCLE

ENVIRONMENTAL DATA  
AMBIENT TEMP  
LIFE ELECTRICAL  
LIFE MECHANICAL  
WEIGHT MAX

GASKET SEALED,  
SILASTIC SEALED

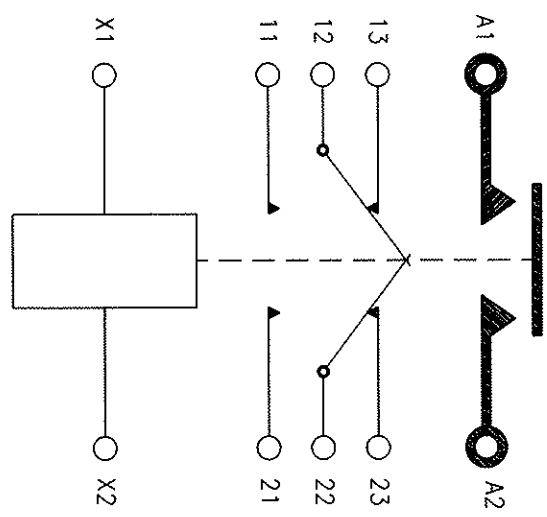
SPST N.O.

28 VDC  
200 AMP  
800 AMP CARRY ONLY

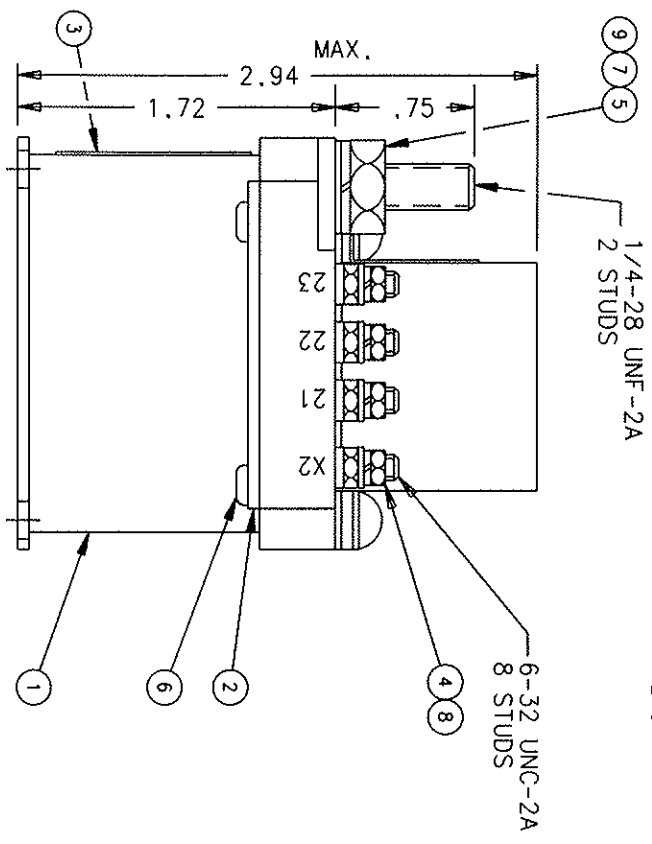
D.P.D.T.  
28 VDC.  
5 AMP  
3 AMP

32 VDC  
24 VDC  
16.5 V. MAX.  
0.5 TO 7 VDC  
70 OHM ± 20%  
CONTINUOUS

-55°C TO + 71°C  
50,000 CYCLES MIN  
100,000 CYCLES MIN  
1 LB 10 OZ



NOTE:  
1. PAINT REMOVED FROM 2 OPPOSITE  
MTG HOLES, TOP & BOTTOM, FOR  
GROUNDING PURPOSES.



1/4-28 UNF-2A  
2 STUDS

6-32 UNC-2A  
8 STUDS

FIND NO	QTY	RECD	PART OR IDENTIFYING NO	DESCRIPTION	FSD	DRAWING OR SPECIFICATION	MATERIAL OR NOTE
9	2		51807-034	WASHER-LOCK-NO. 1/4 SPL IT			BRONZE
8	8		51808-014	WASHER-LOCK-NO. 6 SPL IT			BRONZE
7	2		51703-064	WASHER-FLAT-1/2 X 17/64 X.032			BRONZE
6	4		51200-020	SCREW-NO. 4 X 1/4 PAN HD.			BRASS
5	2		50407-364	NUT-1/4-28 X 7/16 X 3/16 HEX			STAINLESS STEEL
4	8		50406-014	NUT-6-32 X 3/16 X 5/64 HEX			BRASS
3	1		47618-004	PLATE-NAME			BRASS
2	2		34290-001	PLATE - COVER			
1	1		32659-030	CONTACTOR ASSEMBLY - PRI.			

SIKORSKY  
76550-00902-103  
DR BY RLS 100/05/15  
CHK BY RS 100/05/15  
ENGR JL 100/05/17  
MFG CC 100/05/18  
SIZE  
CODE IDENT  
C 74063

**TYCO Electronics**  
Hartford, Conn. 06111-1100, 175 N. DIAMOND STREET WANGFIELD, OHIO 44902  
CONTACTOR-S.P.S.T. N.O.  
200 AMP, 28 VDC 093  
DWG NO. A-1077F

2 PL DEC. 13 PL DEC. 1 ANGLES  
\* .06 \* .010 \* 1 \*  
SCALE: NONE SHEET  
REF TYCO P/N 0-1616055-4

# Mouser Electronics

Authorized Distributor

Click to View Pricing, Inventory, Delivery & Lifecycle Information:

[TE Connectivity:](#)

[A1077F](#)