

## KC-Series — 25 kV Relays

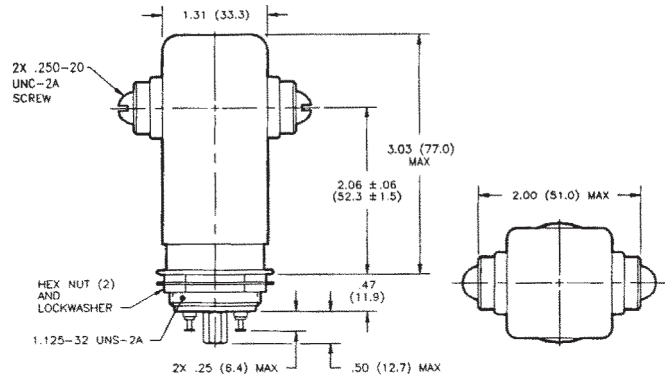
### KC-22, KC-32 Make & Break Load Switching

#### Product Facts for KC-22

- Tungsten contacts for power switching

#### Product Facts for KC-32

- Normally closed version of KC-22
- Vacuum dielectric for power switching low current loads



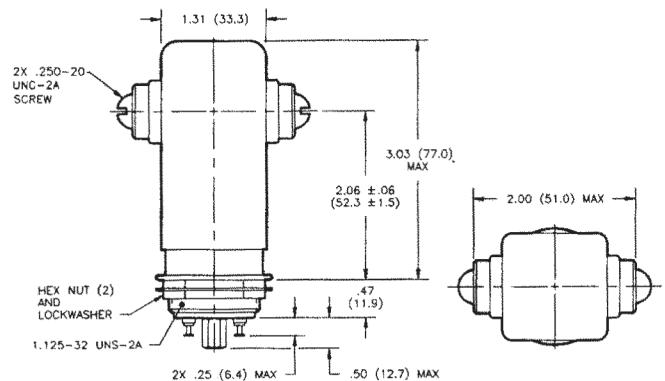
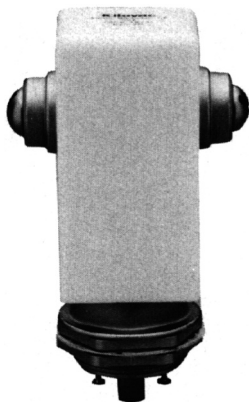
### KC-28, KC-38 Make Only Load Switching

#### Product Facts for KC-28

- SF-6 gas-filled for capacitive discharge and “make only” applications
- Capable of switching 2000 Amps peak capacitive discharge for 400 nanoseconds

#### Product Facts for KC-38

- Normally closed version of KC-28
- SF-6 gas-filled for capacitive discharge and “make only” applications



#### Product Specifications for KC-22, KC-32, KC-28 & KC-38

##### Contact Arrangement —

KC-22 and KC-28 — SPST-NO  
KC-32 and KC-38 — SPST-NC

##### Contact Form —

KC-22 and KC-28 — X  
KC-32 and KC-38 — Y

**Test Voltage, DC or 60 Hz (Peak)** — 28 kV

**Rated Operating Voltage (Peak)** — DC or 60 Hz — 25 kV

##### Continuous Carry Current, Max. —

DC or 60 Hz — KC-22 — 65 A  
KC-32 — 45 A  
KC-28 — 30 A  
KC-38 — 15 A

Coil Hi-Pot (Vrms, 60 Hz) — 500 A

##### Contact Capacitance —

Between Open Contacts — KC-22 and KC-32 — 2.5 pF  
Open Contacts to Ground — KC-22 and KC-32 — 2.5 pF

##### Contact Resistance, Max. —

KC-22 — 0.005 ohm  
KC-32 — 0.01 ohm  
KC-28 — 1.0 ohm\*  
KC-38 — 1.0 ohm\*

**Operate Time, Max.** — 18 ms

##### Release Time, Max. —

KC-22 and KC-28 — 10 ms  
KC32 and KC-38 — 20 ms

**Shock, 11ms, 1/2 Sine (Peak)** — 30 g

##### Vibration —

Peak — 10 g (55 to 500 Hz)

##### Operating Ambient Temperature Range —

-55°C to +125°C

**Mechanical Life** — 2 million cycles

**Weight, Nominal** — 340 g (12 oz.)

#### Coil Data

Volts, Nominal DC	12 V	26.5 V	115 V
Pickup, Max.	8 Vdc	16 Vdc	80 Vdc
Dropout	.5-5 Vdc	1-10 Vdc	5-50 Vdc
Coil Resistance (±10%)	24 Ω	120 Ω	2000 Ω

Ratings listed are for 25°C, sea level conditions

For factory-direct application assistance, dial 800-253-4560, ext. 2055, or 805-220-2055.

#### Ordering Information

Sample Part Number ▶

Series: \_\_\_\_\_

Model: \_\_\_\_\_

KC-22

KC-32

KC-28

KC-38

Coil Voltage: \_\_\_\_\_

Blank = 26.5 Vdc

/12Vdc = 12 Vdc

/115Vdc = 115 Vdc

**KC- 22 /12Vdc**

# Mouser Electronics

Authorized Distributor

Click to View Pricing, Inventory, Delivery & Lifecycle Information:

[TE Connectivity:](#)

[KC-28](#) [KC-38](#) [KC-38/12VDC](#) [KC-28/S1](#) [KC-32/12VDC](#) [KC-22](#) [KC-28/S3](#) [KC-32/S1](#) [KC-22/S1](#)