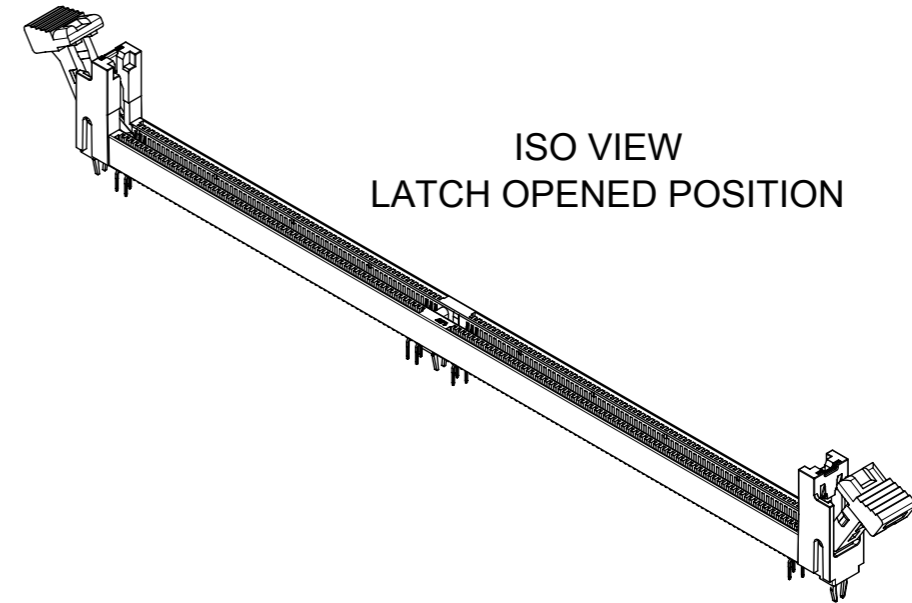
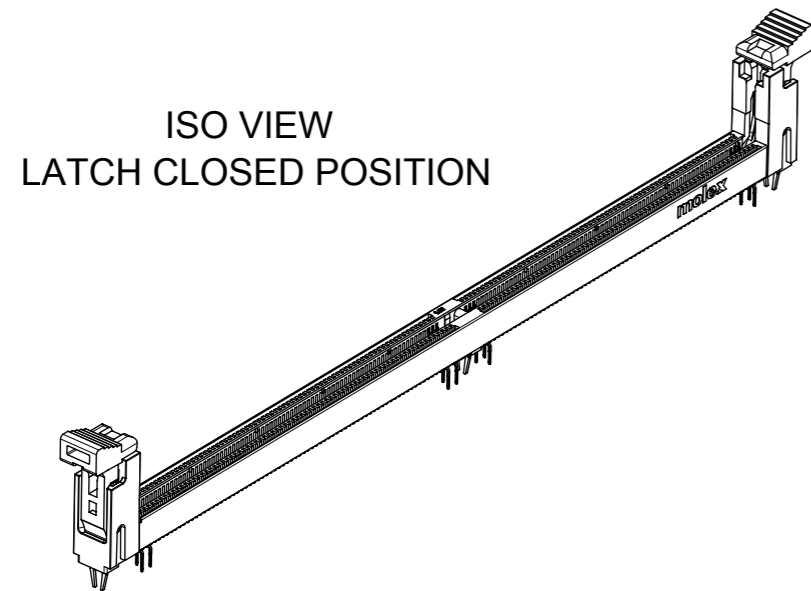
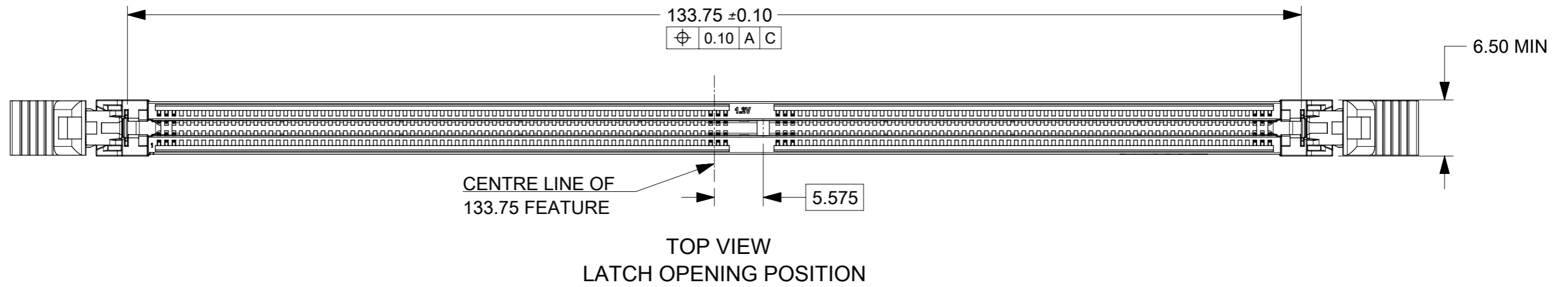


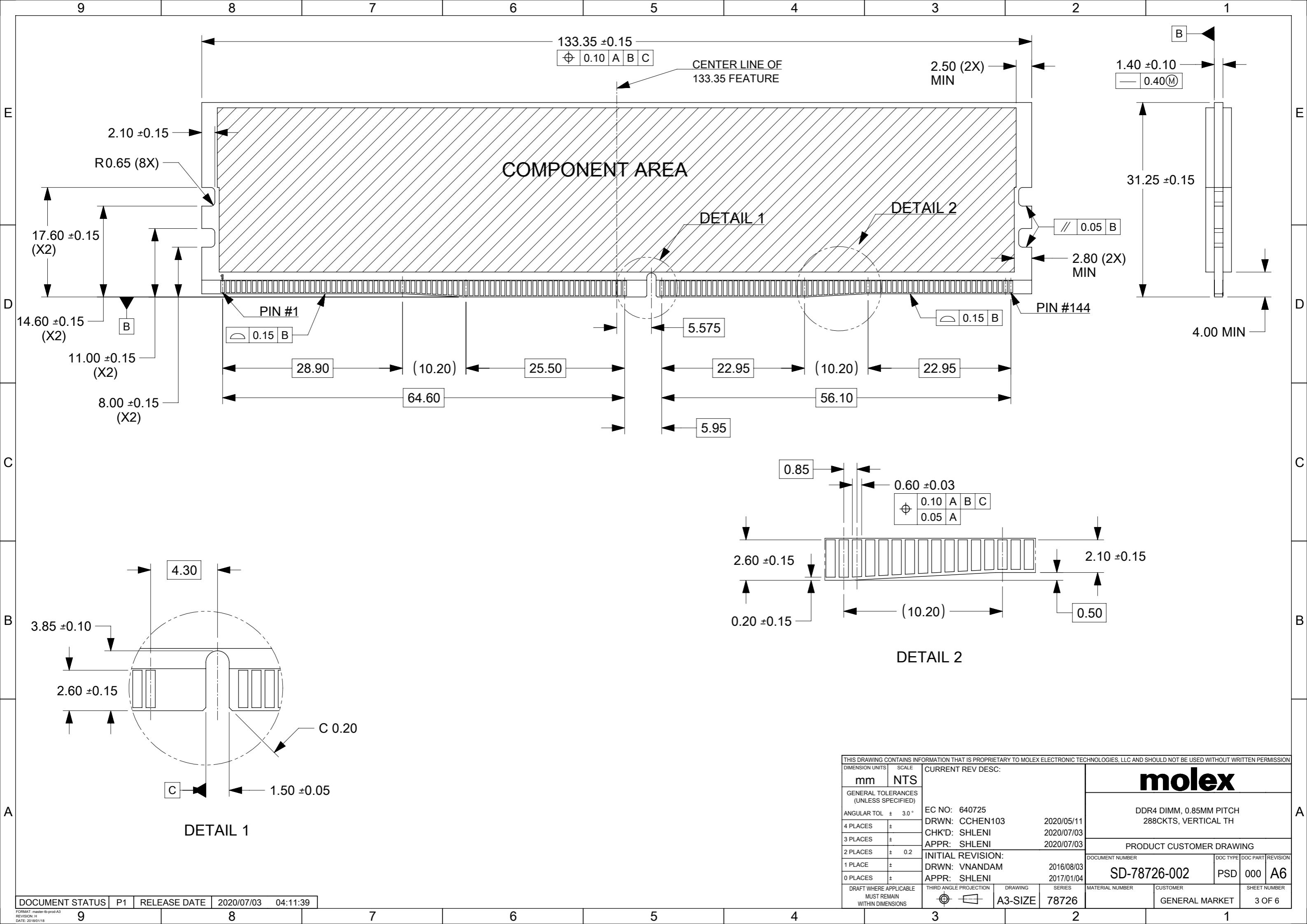
NOTES:

- MATERIAL : HOUSING - HALOGEN FREE HIGH TEMP POLYAMIDE, GLASS FILLED, UL94V-0.
COLOUR : SEE TABLE ON SHEET 5.
LATCH - HALOGEN FREE HIGH TEMP POLYAMIDE, GLASS FILLED, UL94V-0.
COLOUR : SEE TABLE ON SHEET 5.
TERMINAL : COPPER ALLOY.
FORKLOCK: COPPER ALLOY.
- FINISHES - SEE TABLE ON SHEET 5.
- PRODUCT SPECIFICATION : SEE TABLE ON SHEET 5.
- PACKAGING SPECIFICATION: PRODUCT SHALL BE PACKED IN TRAY, SEE SHEET 5
- CARD SLOT ACCEPTS 1.40 \pm 0.10MM MODULE THICKNESS (MEASURED OVER P.C. PADS).
- MOLEX LOGO, DATE & PART NO. INDICATED ON HOUSING.
- MODULE SEATING PLANE.
- KEEP OUT ZONE RESERVED FOR LATCH.
- KEEP OUT AREA IS THE AREA WHERE THE CONNECTOR (INCLUDES LATCHES IN OPENING POSITION) IS MOUNTED ON THE PCB.
- REFER TO AS-78726-001 FOR CONNECTOR APPLICATION GUIDELINE.
- REFER TO AS-78726-002 FOR PCB ROUTING RECOMMENDATIONS.

THIS DRAWING CONTAINS INFORMATION THAT IS PROPRIETARY TO MOLEX ELECTRONIC TECHNOLOGIES, LLC AND SHOULD NOT BE USED WITHOUT WRITTEN PERMISSION		CURRENT REV DESC:		molex	
DIMENSION UNITS	SCALE				
mm	NTS			DDR4 DIMM, 0.85MM PITCH 288CKTS, VERTICAL TH	
GENERAL TOLERANCES (UNLESS SPECIFIED)		EC NO: 640725		PRODUCT CUSTOMER DRAWING	
ANGULAR TOL	$\pm 3.0^\circ$	DRWN: CCHEN103	2020/05/11	DOCUMENT NUMBER	
4 PLACES	\pm	CHK'D: SHLENI	2020/07/03	SD-78726-002	
3 PLACES	\pm	APPR: SHLENI	2020/07/03	DOC TYPE	DOC PART
2 PLACES	± 0.2	INITIAL REVISION:		PSD	000
1 PLACE	\pm	DRWN: VNANDAM	2016/08/03	REVISION	
0 PLACES	\pm	APPR: SHLENI	2017/01/04	A6	
DRAFT WHERE APPLICABLE MUST REMAIN WITHIN DIMENSIONS		THIRD ANGLE PROJECTION	DRAWING	SERIES	MATERIAL NUMBER
			A3-SIZE	78726	CUSTOMER
					GENERAL MARKET
					SHEET NUMBER
					1 OF 6



THIS DRAWING CONTAINS INFORMATION THAT IS PROPRIETARY TO MOLEX ELECTRONIC TECHNOLOGIES, LLC AND SHOULD NOT BE USED WITHOUT WRITTEN PERMISSION									
DIMENSION UNITS		SCALE		CURRENT REV DESC:				molex	
mm		NTS							
GENERAL TOLERANCES (UNLESS SPECIFIED)				EC NO: 640725					
ANGULAR TOL ± 3.0 °				DRWN: CCHEN103		2020/05/11		DDR4 DIMM, 0.85MM PITCH	
4 PLACES ±				CHK'D: SHLENI		2020/07/03		288CKTS, VERTICAL TH	
3 PLACES ±				APPR: SHLENI		2020/07/03		PRODUCT CUSTOMER DRAWING	
2 PLACES ± 0.2				INITIAL REVISION:					
1 PLACE ±				DRWN: VNANDAM		2016/08/03		DOCUMENT NUMBER	
0 PLACES ±				APPR: SHLENI		2017/01/04		SD-78726-002	
DRAFT WHERE APPLICABLE MUST REMAIN WITHIN DIMENSIONS		THIRD ANGLE PROJECTION		DRAWING		SERIES		MATERIAL NUMBER	
				A3-SIZE		78726		CUSTOMER	
								GENERAL MARKET	
								SHEET NUMBER	
								2 OF 6	



133.35 ±0.15
 ⊕ 0.10 A B C

CENTER LINE OF
 133.35 FEATURE

2.50 (2X)
 MIN

1.40 ±0.10
 — 0.40(M)

2.10 ±0.15

R0.65 (8X)

COMPONENT AREA

DETAIL 1

DETAIL 2

// 0.05 B

2.80 (2X)
 MIN

31.25 ±0.15

4.00 MIN

17.60 ±0.15
 (X2)

14.60 ±0.15
 (X2)

11.00 ±0.15
 (X2)

8.00 ±0.15
 (X2)

PIN #1

0.15 B

28.90

(10.20)

25.50

64.60

5.575

22.95

(10.20)

22.95

56.10

5.95

0.15 B

PIN #144

0.85

0.60 ±0.03

⊕ 0.10 A B C
 0.05 A

2.60 ±0.15

2.10 ±0.15

0.20 ±0.15

(10.20)

0.50

DETAIL 2

4.30

3.85 ±0.10

2.60 ±0.15

C 0.20

C

1.50 ±0.05

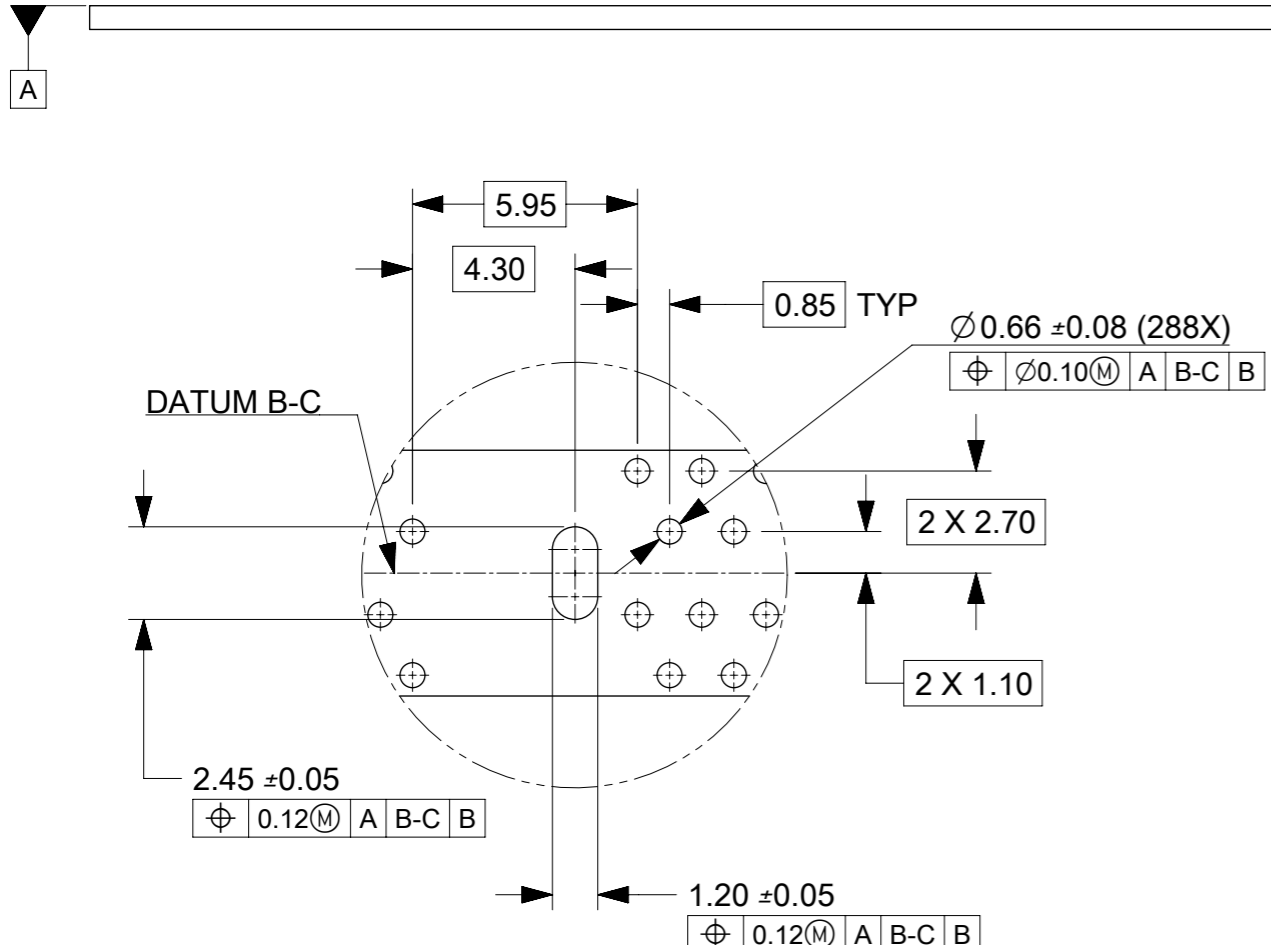
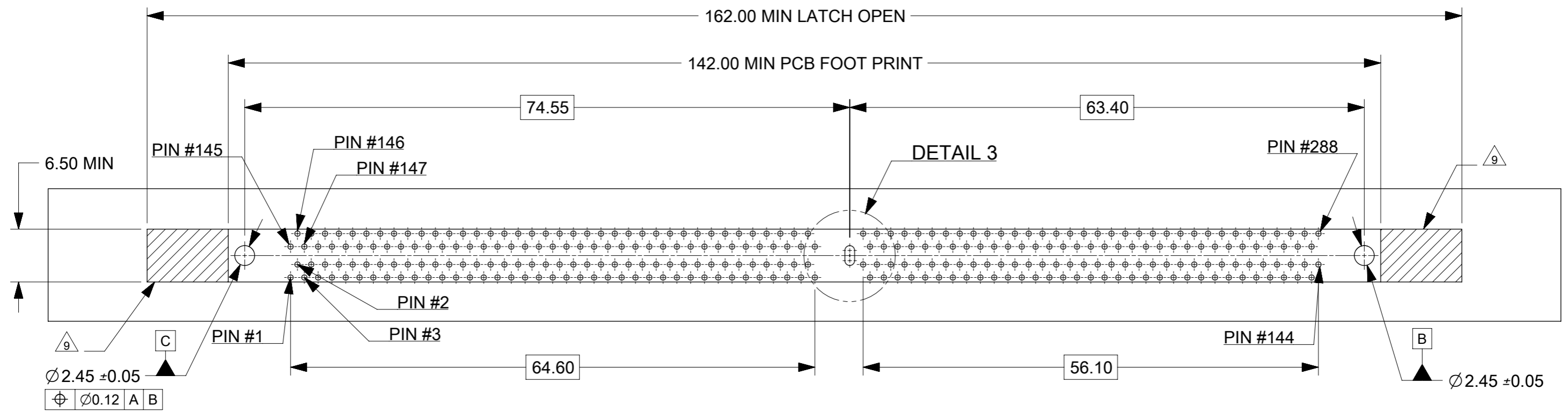
DETAIL 1

THIS DRAWING CONTAINS INFORMATION THAT IS PROPRIETARY TO MOLEX ELECTRONIC TECHNOLOGIES, LLC AND SHOULD NOT BE USED WITHOUT WRITTEN PERMISSION

DIMENSION UNITS mm	SCALE NTS	CURRENT REV DESC:		molex		
GENERAL TOLERANCES (UNLESS SPECIFIED)		EC NO: 640725				
ANGULAR TOL ± 3.0°	4 PLACES ±	DRWN: CCHEN103	2020/05/11	PRODUCT CUSTOMER DRAWING		
3 PLACES ±	2 PLACES ± 0.2	CHK'D: SHLENI	2020/07/03	DOCUMENT NUMBER		
1 PLACE ±	0 PLACES ±	APPR: SHLENI	2020/07/03	SD-78726-002		
DRAFT WHERE APPLICABLE MUST REMAIN WITHIN DIMENSIONS		INITIAL REVISION:		DOC TYPE	DOC PART	REVISION
THIRD ANGLE PROJECTION		DRWN: VNANDAM	2016/08/03	PSD	000	A6
DRAWING		APPR: SHLENI	2017/01/04	SHEET NUMBER		
A3-SIZE		SERIES	78726	GENERAL MARKET		
MATERIAL NUMBER		CUSTOMER		3 OF 6		

DOCUMENT STATUS | P1 | RELEASE DATE | 2020/07/03 | 04:11:39


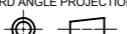
FORMAT: master-ib-prod-A3
 REVISION: 31
 DATE: 2018/01/18



THIS DRAWING CONTAINS INFORMATION THAT IS PROPRIETARY TO MOLEX ELECTRONIC TECHNOLOGIES, LLC AND SHOULD NOT BE USED WITHOUT WRITTEN PERMISSION									
DIMENSION UNITS		SCALE		CURRENT REV DESC:					
mm		NTS		<p style="text-align: center;">molex</p> <p style="text-align: center;">DDR4 DIMM, 0.85MM PITCH 288CKTS, VERTICAL TH</p> <p style="text-align: center;">PRODUCT CUSTOMER DRAWING</p>					
GENERAL TOLERANCES (UNLESS SPECIFIED)									
ANGULAR TOL		± 3.0 °							
4 PLACES		±							
3 PLACES		±							
2 PLACES		± 0.2		INITIAL REVISION:		DOCUMENT NUMBER		DOC TYPE	
1 PLACE		±		DRWN: VNANDAM		2016/08/03		PSD	
0 PLACES		±		APPR: SHLENI		2017/01/04		000	
DRAFT WHERE APPLICABLE MUST REMAIN WITHIN DIMENSIONS		THIRD ANGLE PROJECTION		DRAWING		SERIES		SHEET NUMBER	
				A3-SIZE		78726		4 OF 6	

CKT SIZE	ASSEMBLY PART NO.	HOUSING COLOR	LATCH COLOR	DIM "P"	RECOMMENDED PCB THICKNESS	PLATING OPTION		PRODUCT SPEC. NO.	PACKAGING SPEC. NO.
						TERMINAL	FORKLOCK		
288	78726-1051	BLACK	BLACK	2.10	1.57	0.76 MICROMETER (30 MICROINCH) MIN GOLD ON CONTACT	1 MICROMETER (40 MICROINCH) MIN TIN OVERALL (PRE-PLATED)	PS-78726-001	PK-78726-001
	78726-1039			2.40	1.57				
	78726-1002			2.67	1.57				
	78726-1003			3.18	2.36				
	78726-1026			3.50	3.00				
	78726-1052	BLACK	WHITE	2.10	1.57				
	78726-1040			2.40	1.57				
	78726-1004			2.67	1.57				
	78726-1005			3.18	2.36				
	78726-1027			3.50	3.00				
	78726-1053	WHITE	BLACK	2.10	1.57				
	78726-1041			2.40	1.57				
	78726-1006			2.67	1.57				
	78726-1007			3.18	2.36				
	78726-1028			3.50	3.00				
	78726-1054	WHITE	WHITE	2.10	1.57				
	78726-1042			2.40	1.57				
	78726-1008			2.67	1.57				
	78726-1009			3.18	2.36				
	78726-1029			3.50	3.00				
	78726-1055	BLUE	BLUE	2.10	1.57				
	78726-1043			2.40	1.57				
	78726-1010			2.67	1.57				
	78726-1011			3.18	2.36				
	78726-1030			3.50	3.00				
	78726-1056	BLUE	WHITE	2.10	1.57				
	78726-1044			2.40	1.57				
	78726-1022			2.67	1.57				
	78726-1023			3.18	2.36				
	78726-1031			3.50	3.00				
	78726-1063	YELLOW	WHITE	2.10	1.57				
	78726-1064			2.40	1.57				
78726-1065	2.67			1.57					
78726-1066	3.18			2.36					
78726-1067	3.50			3.00					
78726-3005	BLACK	WHITE	3.18	2.36					
78726-3052			2.10	1.57					
78726-4039	BLACK	BLACK	2.40	1.57					
78726-4040	BLACK	WHITE	2.40	1.57					

A6


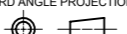
THIS DRAWING CONTAINS INFORMATION THAT IS PROPRIETARY TO MOLEX ELECTRONIC TECHNOLOGIES, LLC AND SHOULD NOT BE USED WITHOUT WRITTEN PERMISSION									
DIMENSION UNITS		SCALE		CURRENT REV DESC:					
mm		NTS							
GENERAL TOLERANCES (UNLESS SPECIFIED)				EC NO: 640725				DDR4 DIMM, 0.85MM PITCH	
ANGULAR TOL ± 3.0°				DRWN: CCHEN103 2020/05/11				288CKTS, VERTICAL TH	
4 PLACES ±				CHK'D: SHLENI 2020/07/03					
3 PLACES ±				APPR: SHLENI 2020/07/03					
2 PLACES ± 0.2				INITIAL REVISION:				PRODUCT CUSTOMER DRAWING	
1 PLACE ±				DRWN: VNANDAM 2016/08/03				DOCUMENT NUMBER	
0 PLACES ±				APPR: SHLENI 2017/01/04				SD-78726-002	
DRAFT WHERE APPLICABLE MUST REMAIN WITHIN DIMENSIONS		THIRD ANGLE PROJECTION		DRAWING		SERIES		MATERIAL NUMBER	
				A3-SIZE		78726		CUSTOMER	
						GENERAL MARKET		SHEET NUMBER	
								5 OF 6	

CKT SIZE	ASSEMBLY PART NO.	HOUSING COLOR	LATCH COLOR	DIM "P"	RECOMMENDED PCB THICKNESS	PLATING OPTION		PRODUCT SPEC. NO.	PACKAGING SPEC. NO.
						TERMINAL	FORKLOCK		
288	78726-1057	BLACK	BLACK	2.10	1.57	0.38 MICROMETER (15 MICROINCH) MIN GOLD ON CONTACT	1 MICROMETER (40 MICROINCH) MIN TIN OVERALL (PRE-PLATED)	PS-78726-002	PK-78726-001
	78726-1045			2.40	1.57				
	78726-1012			2.67	1.57				
	78726-1013			3.18	2.36				
	78726-1032			3.50	3.00				
	78726-1058	BLACK	WHITE	2.10	1.57				
	78726-1046			2.40	1.57				
	78726-1014			2.67	1.57				
	78726-1015			3.18	2.36				
	78726-1033			3.50	3.00				
	78726-1059	WHITE	BLACK	2.10	1.57				
	78726-1047			2.40	1.57				
	78726-1016			2.67	1.57				
	78726-1017			3.18	2.36				
	78726-1034			3.50	3.00				
	78726-1060	WHITE	WHITE	2.10	1.57				
	78726-1048			2.40	1.57				
	78726-1018			2.67	1.57				
	78726-1019			3.18	2.36				
	78726-1035			3.50	3.00				
	78726-1061	BLUE	BLUE	2.10	1.57				
	78726-1049			2.40	1.57				
	78726-1020			2.67	1.57				
	78726-1021			3.18	2.36				
	78726-1036			3.50	3.00				
	78726-1062	BLUE	WHITE	2.10	1.57				
	78726-1050			2.40	1.57				
	78726-1024			2.67	1.57				
	78726-1025			3.18	2.36				
	78726-1037			3.50	3.00				
	78726-1068	YELLOW	WHITE	2.10	1.57				
	78726-1069			2.40	1.57				
	78726-1070			2.67	1.57				
	78726-1071			3.18	2.36				
	78726-1072			3.50	3.00				
	78726-3012	BLACK	BLACK	2.67	1.57				
78726-3032	3.50			3.00					
78726-3020	BLUE	BLUE	2.67	1.57					
78726-3036			3.50	3.00					

0.38 MICROMETER (15 MICROINCH) MIN GOLD ON CONTACT

2.54 MICROMETER (100 MICROINCH) MIN TIN ON SOLDER TAILS

1.27 MICROMETER (50 MICROINCH) MIN NICKEL UNDERPLATE

THIS DRAWING CONTAINS INFORMATION THAT IS PROPRIETARY TO MOLEX ELECTRONIC TECHNOLOGIES, LLC AND SHOULD NOT BE USED WITHOUT WRITTEN PERMISSION													
DIMENSION UNITS	SCALE	CURRENT REV DESC:											
mm	NTS	 DDR4 DIMM, 0.85MM PITCH 288CKTS, VERTICAL TH PRODUCT CUSTOMER DRAWING											
GENERAL TOLERANCES (UNLESS SPECIFIED)													
ANGULAR TOL	± 3.0°												
4 PLACES	±												
3 PLACES	±												
2 PLACES	± 0.2	EC NO: 640725	2020/05/11	DRWN: CCHEN103 CHK'D: SHLENI APPR: SHLENI INITIAL REVISION: DRWN: VNANDAM APPR: SHLENI									
1 PLACE	±	2020/07/03	2020/07/03										
0 PLACES	±	2016/08/03	2017/01/04										
DRAFT WHERE APPLICABLE MUST REMAIN WITHIN DIMENSIONS		THIRD ANGLE PROJECTION	DRAWING							SERIES	MATERIAL NUMBER	CUSTOMER	SHEET NUMBER
			A3-SIZE							78726		GENERAL MARKET	6 OF 6