

BOARD LEVEL COOLING – Extruded 5810

Extruded 5810 is a series of rectangular bi-directional board level heat sinks designed to cool TO-218, TO-220, and TO-220-single gauge devices. Representative image only.



ORDERING INFORMATION

| Part Number | Device Type |
|---------------|-----------------------------|
| 581002B02500G | TO-220, TO-220-single gauge |
| 581101B02500G | TO-218 |
| 581102B02100G | TO-220, TO-220-single gauge |
| 581102B02500G | TO-220, TO-220-single gauge |
| 581202B02500G | TO-220, TO-220-single gauge |

HEAT SINK DETAILS

| Property | Details |
|----------------------------|-----------------------|
| Material | Aluminum |
| Finish | Black Anodize |
| Device Attachment Options | Requires Mounting Kit |
| Thermal Interface Material | - |

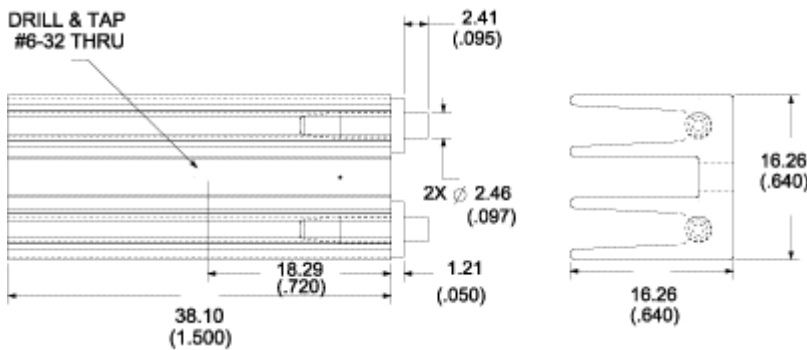
| Property | Details |
|------------------------------|-------------------|
| Heat Sink Width (mm) | 16.26 |
| Heat Sink Length (mm) | 16.26 |
| Heat Sink Height (mm) | See "A" Dim below |
| Heat Sink Mounting Direction | Vertical |

MECHANICAL & PERFORMANCE

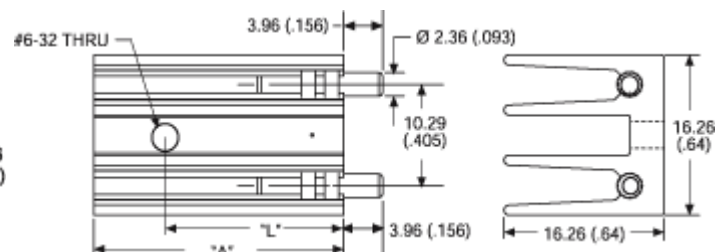
Drawing dimensions are shown in mm, (in)

| Part Number | "A" Dim | "L" Dim | "X" Dim | "Y" Dim | "Z" Dim |
|---------------|---------|---------|--------------|--------------|--------------|
| 581002B02500G | 25.40 | 18.29 | 5.16 (0.203) | 3.45 (0.136) | 2.67 (0.105) |
| 581101B02500G | 38.10 | 21.59 | 5.16 (0.203) | 3.45 (0.136) | 2.67 (0.105) |
| 581102B02100G | 38.10 | - | 5.16 (0.203) | 3.45 (0.136) | 3.10 (0.122) |
| 581102B02500G | 38.10 | 18.29 | 5.16 (0.203) | 3.45 (0.136) | 2.67 (0.105) |
| 581202B02500G | 50.88 | 18.29 | 5.16 (0.203) | 3.45 (0.136) | 2.67 (0.105) |

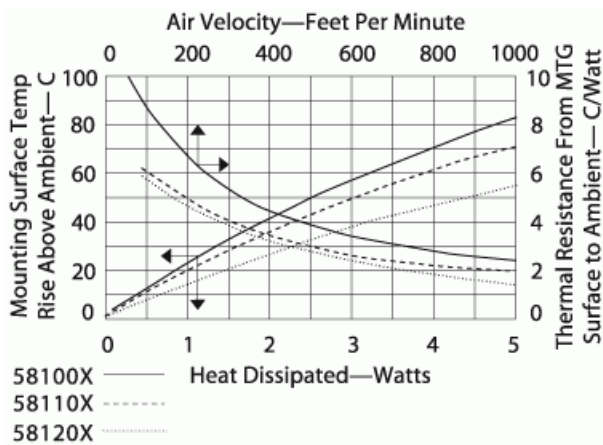
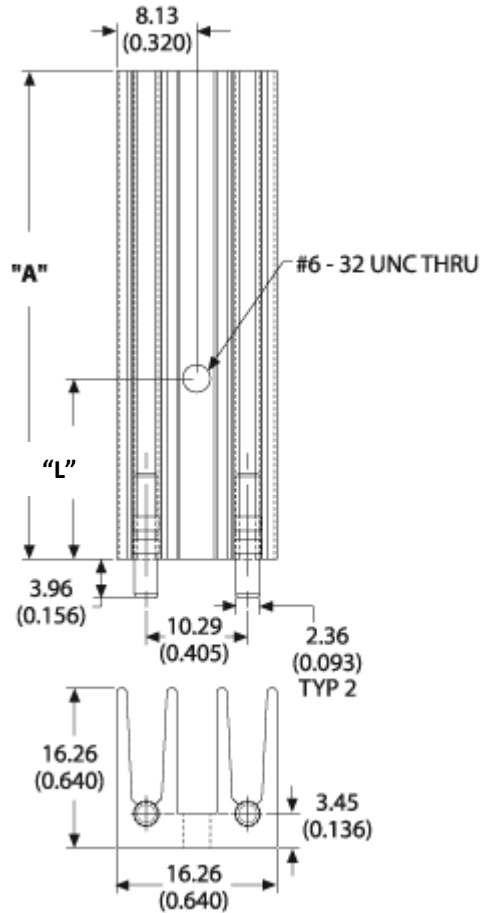
Part Number: 581102B02100G



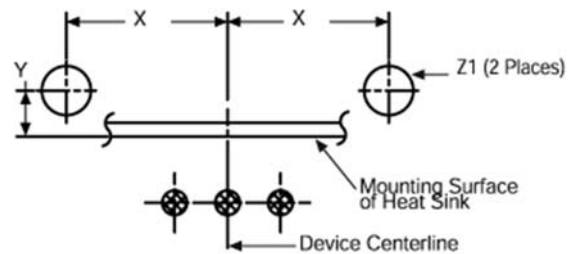
Part Number: 581202B02500G



Part Number: 581002B02500G, 581101B02500G,
581102B02500G



Mounting Details:



Mouser Electronics

Authorized Distributor

Click to View Pricing, Inventory, Delivery & Lifecycle Information:

[Aavid:](#)

[581102B02100G](#) [581002B02500G](#) [581202B02500G](#) [581102B02500G](#) [581202B02500](#) [581101B02500G](#)
[581002B02500](#) [581102B00000G](#) [581102B00000](#)