

THIS DRAWING IS UNPUBLISHED.

RELEASED FOR PUBLICATION

20

© COPYRIGHT 20

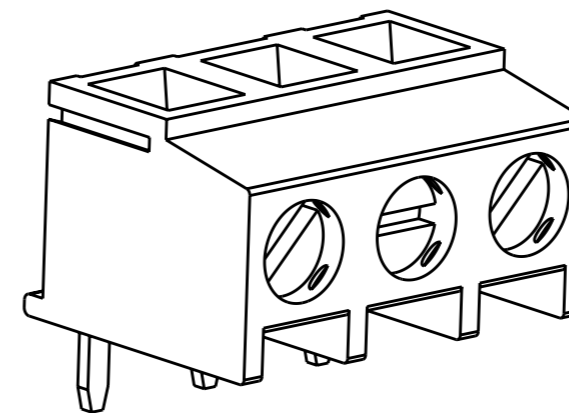
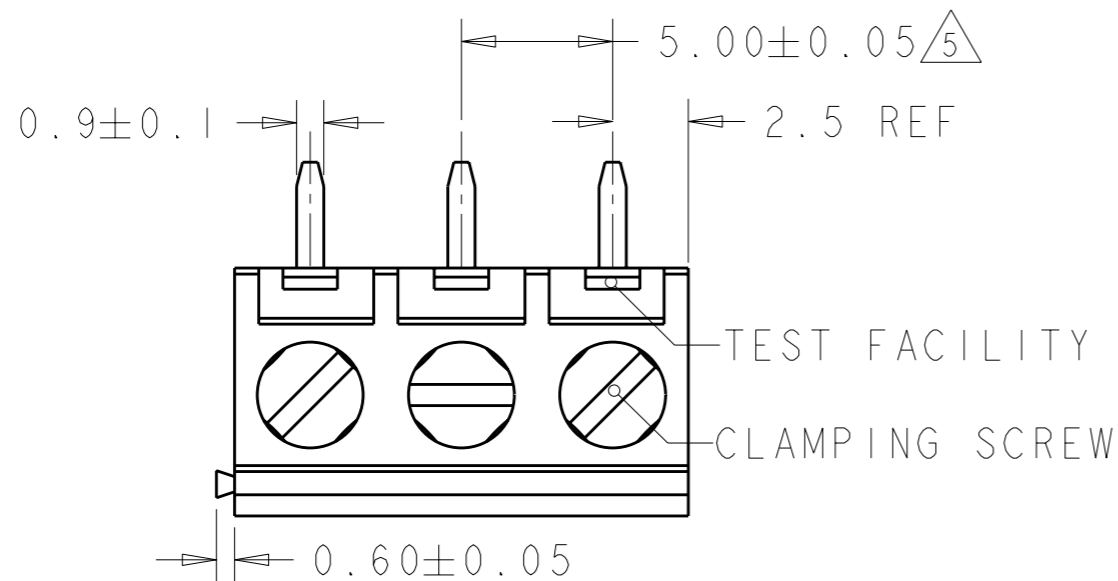
BY -

ALL RIGHTS RESERVED.

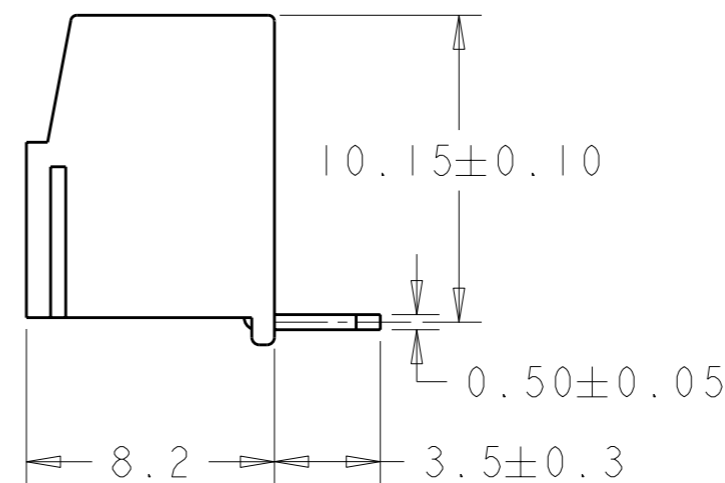
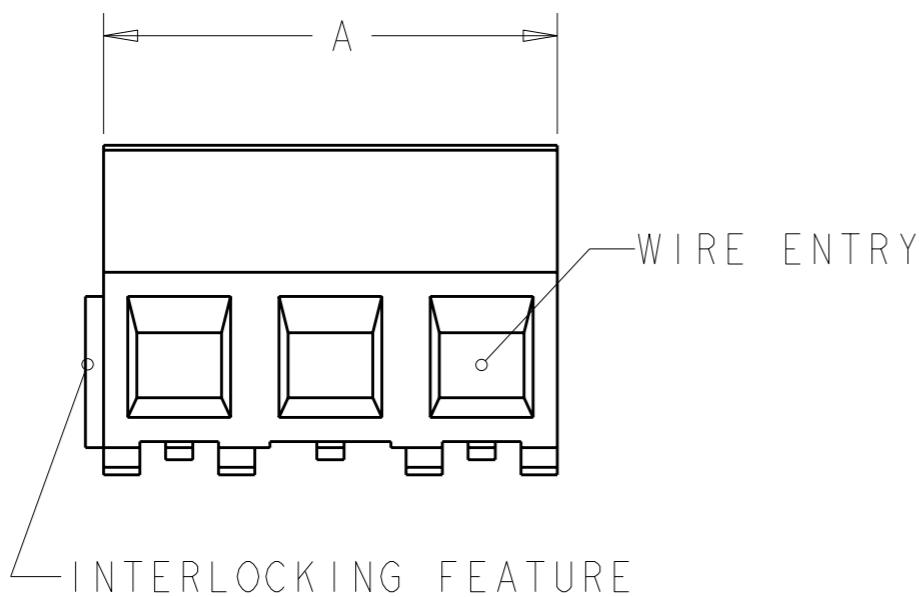
| | |
|-----|------|
| LOC | DIST |
| FT | 0 |

REVISIONS

| P | LTR | DESCRIPTION | DATE | DWN | APVD |
|---|-----|---------------------------|-----------|-----|------|
| | D2 | REVISED PER ECO-11-005027 | 14MAR2011 | RK | HMR |



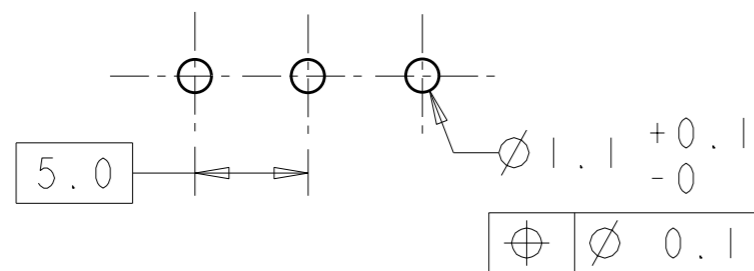
284093-3 AS SHOWN



| | | |
|-----|----|------------|
| 125 | 25 | 2-284093-5 |
| 120 | 24 | 2-284093-4 |
| 115 | 23 | 2-284093-3 |
| 110 | 22 | 2-284093-2 |
| 105 | 21 | 2-284093-1 |
| 100 | 20 | 2-284093-0 |
| 95 | 19 | 1-284093-9 |
| 90 | 18 | 1-284093-8 |
| 85 | 17 | 1-284093-7 |
| 80 | 16 | 1-284093-6 |
| 75 | 15 | 1-282093-5 |
| 70 | 14 | 1-284093-4 |
| 65 | 13 | 1-284093-3 |
| 60 | 12 | 1-284093-2 |
| 55 | 11 | 1-284093-1 |
| 50 | 10 | 1-284093-0 |
| 45 | 9 | 284093-9 |
| 40 | 8 | 284093-8 |
| 35 | 7 | 284093-7 |
| 30 | 6 | 284093-6 |
| 25 | 5 | 284093-5 |
| 20 | 4 | 284093-4 |
| 15 | 3 | 284093-3 |
| 10 | 2 | 284093-2 |

DIM. A N° OF POS. PART NUMBER



RECOMMENDED PC BOARD LAYOUT


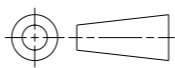


| | | | | |
|--|--|-----------------------------------|--|------------------------|
| THIS DRAWING IS A CONTROLLED DOCUMENT. | | DWN E. ZANOLINI IOSEP2001 | TE Connectivity | |
| DIMENSIONS: mm | | CHK D. BIEVENOUR IOSEP2001 | | |
| TOLERANCES UNLESS OTHERWISE SPECIFIED: | | APVD D. BIEVENOUR IOSEP2001 | NAME TERMINAL BLOCK, PCB MOUNT TOP ENTRY WIRE, STACKING W/INTERLOCK, 5.00mm PITCH | |
| 0 PLC ±.3 | | PRODUCT SPEC 10820166 | SIZE A3 | |
| 1 PLC ±.25 | | APPLICATION SPEC 114-20079 | CAGE CODE 00779 | DRAWING NO C-284093 |
| 2 PLC ±. | | WEIGHT - | RESTRICTED TO - | |
| 3 PLC ±. | | MATERIAL FINISH | SCALE 4:1 | |
| 4 PLC ±. | | | SHEET 1 OF 2 | |
| ANGLES ±2 | | CUSTOMER DRAWING | | REV D2 |

THIS DRAWING IS UNPUBLISHED. RELEASED FOR PUBLICATION 20
 © COPYRIGHT 20 BY - ALL RIGHTS RESERVED.

| LOC | DIST | REVISIONS | | | |
|-----|------|-------------|------|-----|------|
| P | LTR | DESCRIPTION | DATE | DWN | APVD |
| | | SEE SHEET 1 | - | - | - |
| | | | | | |
| | | | | | |

- 1  MATERIALS AND FINISH
 HOUSING: PA 6-6, UL 94-V0, COLOR GREEN.
 CLAMP: BRASS, NICKEL PLATED.
 TERMINAL: BRASS, TIN PLATED.
 CLAMPING SCREW: M3, BRASS, NICKEL PLATED.
- 2 SUITABLE FOR 1,6-2,4mm PC BOARD THICKNESS.
- 3 END-TO-END STACKABLE W/INTERLOCK WITHOUT LOSS OF CENTERLINE SPACING.
- 4 WIRE SIZE RANGE
 SOLID WIRE: 0,03-1,5mm² (15AWG).
 STRANDED WIRE: 0,03-1mm² (17AWG).
- 5  NOT CUMULATIVE TOLERANCE.
- 6 PART COMPLIES WITH EN 60335-1.

| | | | | | |
|---|--|----------------------|-----------|--|---|
| THIS DRAWING IS A CONTROLLED DOCUMENT. | | DWN E. ZANOLINI | 10SEP2001 | |  TE Connectivity |
| DIMENSIONS: mm | | CHK D. BIEVENOUR | 10SEP2001 | | |
|  | | APVD D. BIEVENOUR | 10SEP2001 | | |
| TOLERANCES UNLESS OTHERWISE SPECIFIED: | | PRODUCT SPEC | | | |
| 0 PLC ±- | | APPLICATION SPEC | | | NAME TERMINAL BLOCK, PCB MOUNT TOP ENTRY WIRE, STACKING W/INTERLOCK, 5.00mm PITCH |
| 1 PLC ±- | | WEIGHT | | | |
| 2 PLC ±- | | CUSTOMER DRAWING | | | SIZE |
| 3 PLC ±- | | SCALE 4:1 | | | CAGE CODE |
| 4 PLC ±- | | SHEET 2 OF 2 | | | DRAWING NO |
| ANGLES ±2 | | REV D2 | | | RESTRICTED TO |
| MATERIAL - | | FINISH - | | | A300779 C-284093 |

Mouser Electronics

Authorized Distributor

Click to View Pricing, Inventory, Delivery & Lifecycle Information:

[TE Connectivity:](#)

[284093-8](#)