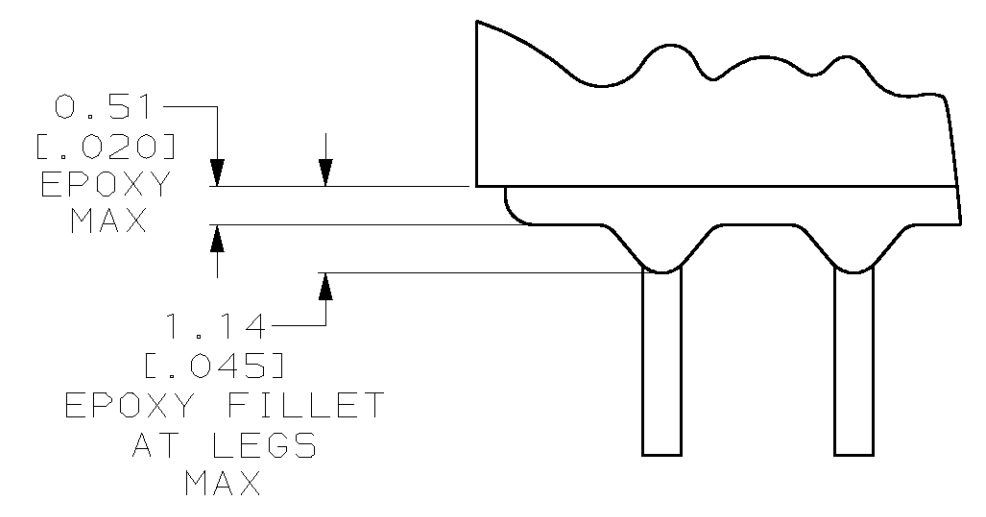
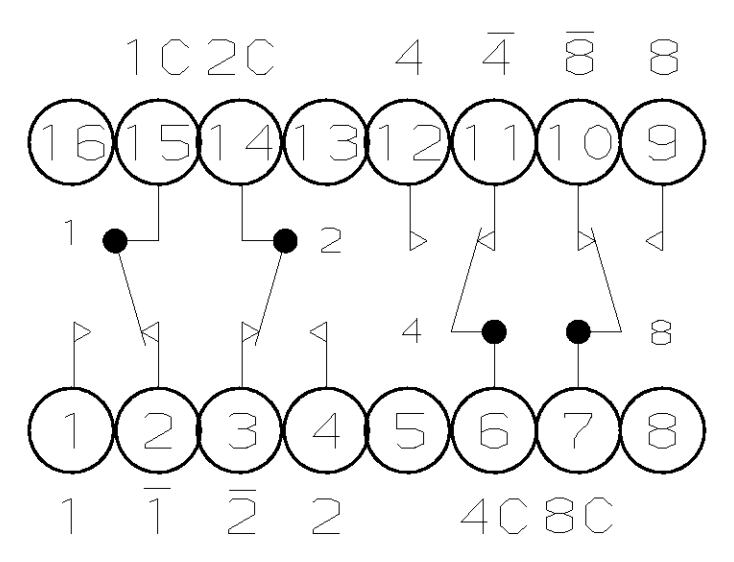


LOC	DIST	REV	DESCRIPTION	DATE	OWN	APVD
AG	1	P	REDRAWN ON CAD PER 0330-0026-96	1-8-97	WS	JR
		R	REV PER EC 063C-0381-01	02MAY02	MB	HW



DETAIL A  
SCALE 10:1

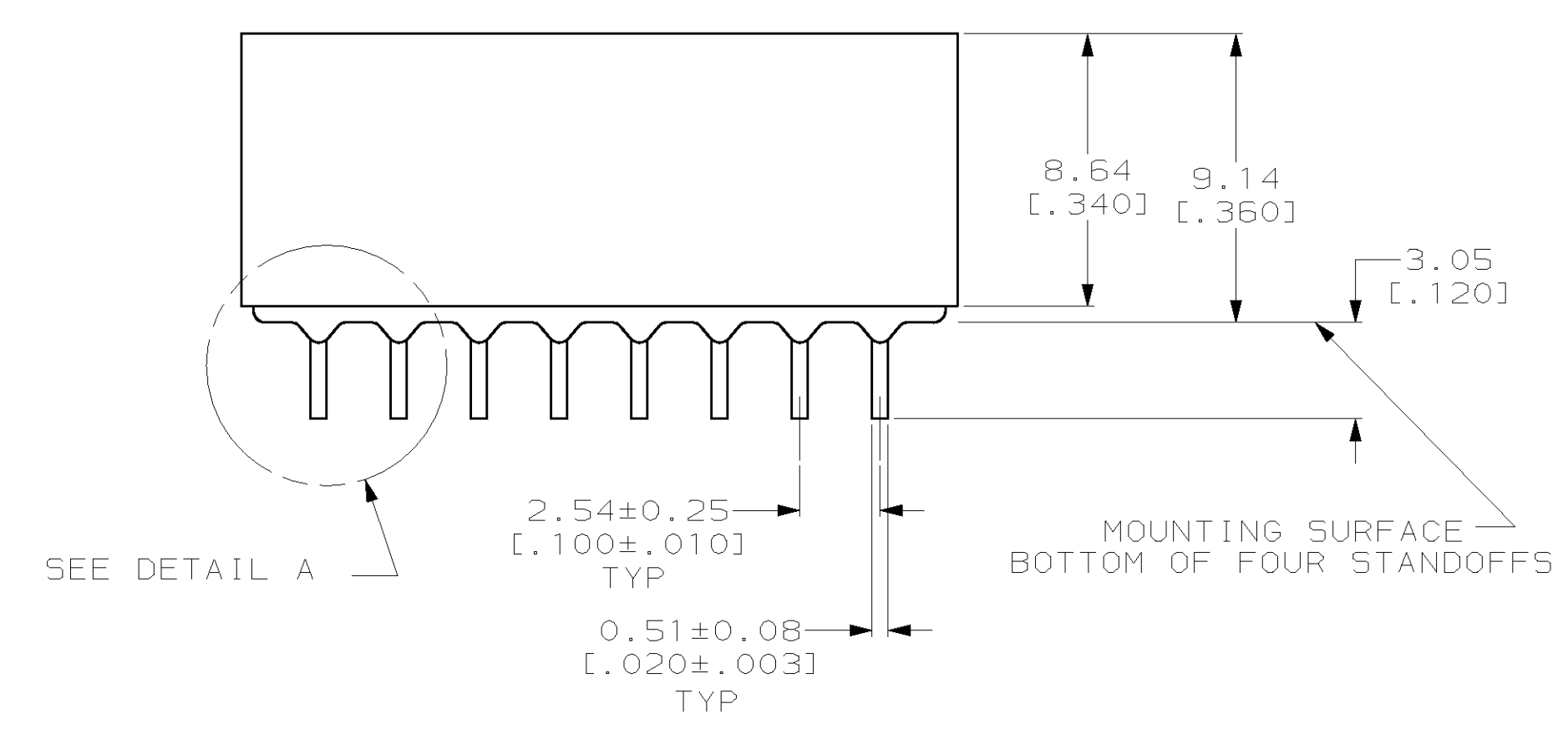
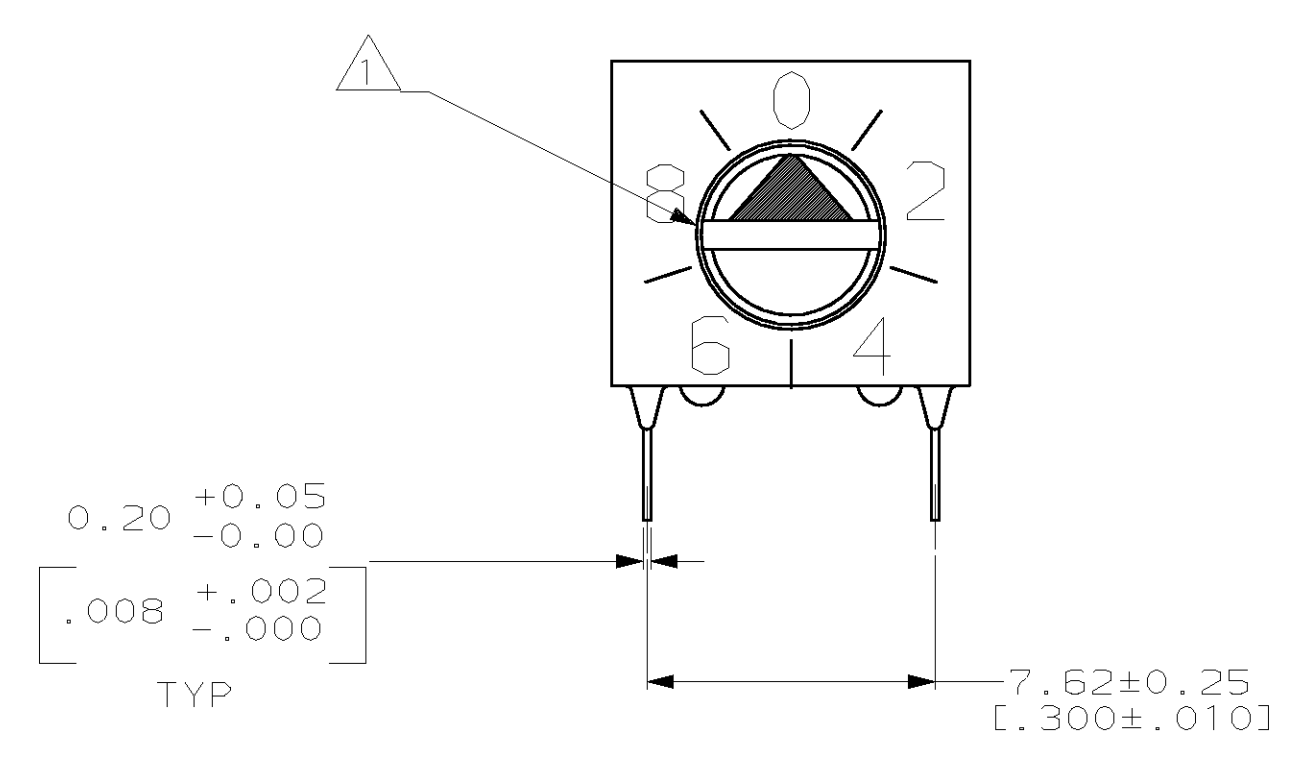
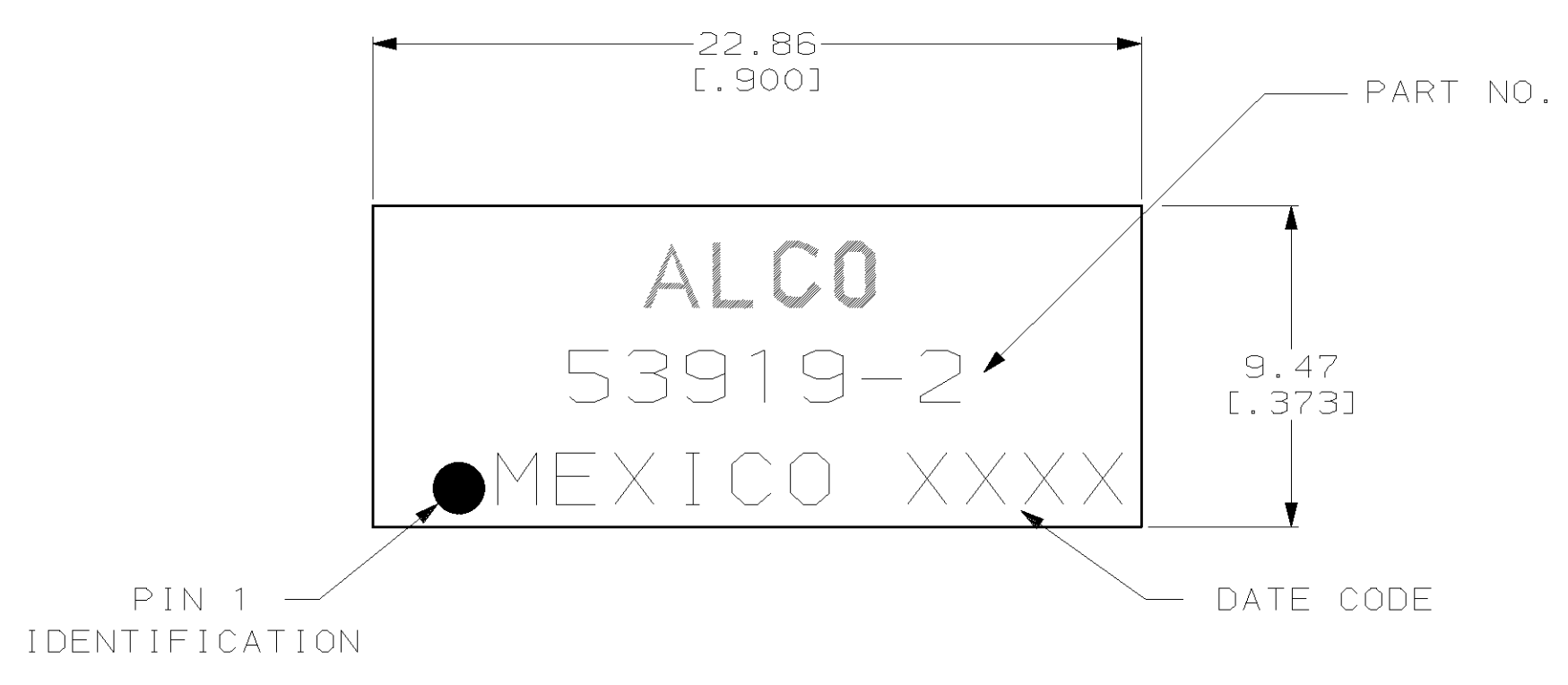


SCHEMATIC  
(POSITION 0)

- △ SLOT FOR SCREWDRIVER ACTUATION.
- 2. FOR ADDITIONAL SPECIFICATIONS SEE AMP PRODUCT SPEC 108-7066 AND INSTRUCTION SHEET 6811.
- 3. SWITCH BOTTOM IS SEALED.
- △ CONTACT FINISH TO BE 0.00076 [.000030] GOLD OVER NICKEL.
- △ MATERIAL:  
HOUSING : BLACK POLYESTER  
CONTACTS : BERYLLIUM COPPER.

		POSITION									
		0	1	2	3	4	5	6	7	8	9
COMMON TO	1		●		●		●		●		●
	2			●	●			●	●		
	4					●	●	●	●		
	8									●	●
	1	●		●		●		●		●	
	2	●	●			●	●			●	●
	4	●	●	●	●					●	●
	8	●	●	●	●	●	●	●	●		

BCD WITH COMPLEMENT



53919-2  
PART NUMBER

<small>THIS DRAWING IS A CONTROLLED DOCUMENT FOR AMP INCORPORATED. IT IS SUBJECT TO CHANGE AND THE CONTROLLING ENGINEERING DEPARTMENT SHALL BE CONTACTED FOR THE LATEST REVISION.</small>		DWN: M. SORAH 1-8-97 CHK: R. TALLEY 1-8-97 APVD: J. ROBB 1-8-97	<b>AMP</b> AMP Incorporated Harrisburg, PA 17105-3608
DIMENSIONS (mm [INCHES])	TOLERANCES UNLESS OTHERWISE SPECIFIED:	PRODUCT SPEC	NAME
0 PLC ±-	1 PLC ±-	APPLICATION SPEC	SWITCH ASSY, PREPROGRAMMED DIP, 10 POSITION, SCREWDRIVER SLOT
2 PLC ±0.30 [.0123]	3 PLC ±-	WEIGHT	SIZE: A1 CAGE CODE: 00779 DRAWING NO: C-53919-2
4 PLC ±-	ANGLES ±-	CUSTOMER DRAWING	SCALE: 5:1 SHEET 1 OF 1 REV R

# Mouser Electronics

Authorized Distributor

Click to View Pricing, Inventory, Delivery & Lifecycle Information:

[TE Connectivity:](#)

[53919-2](#)