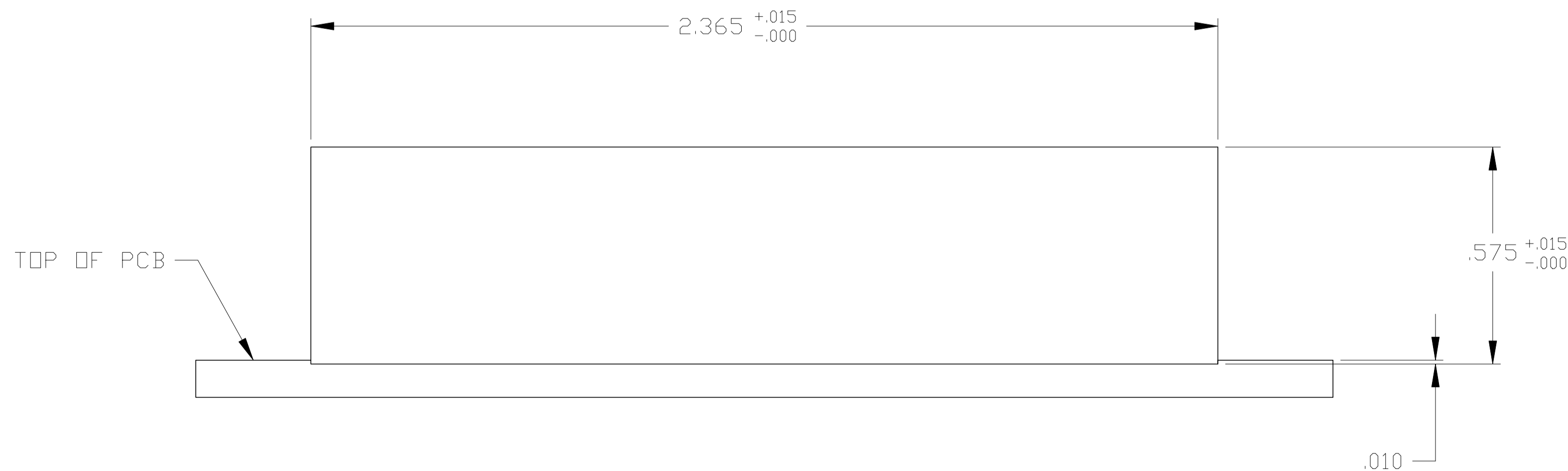
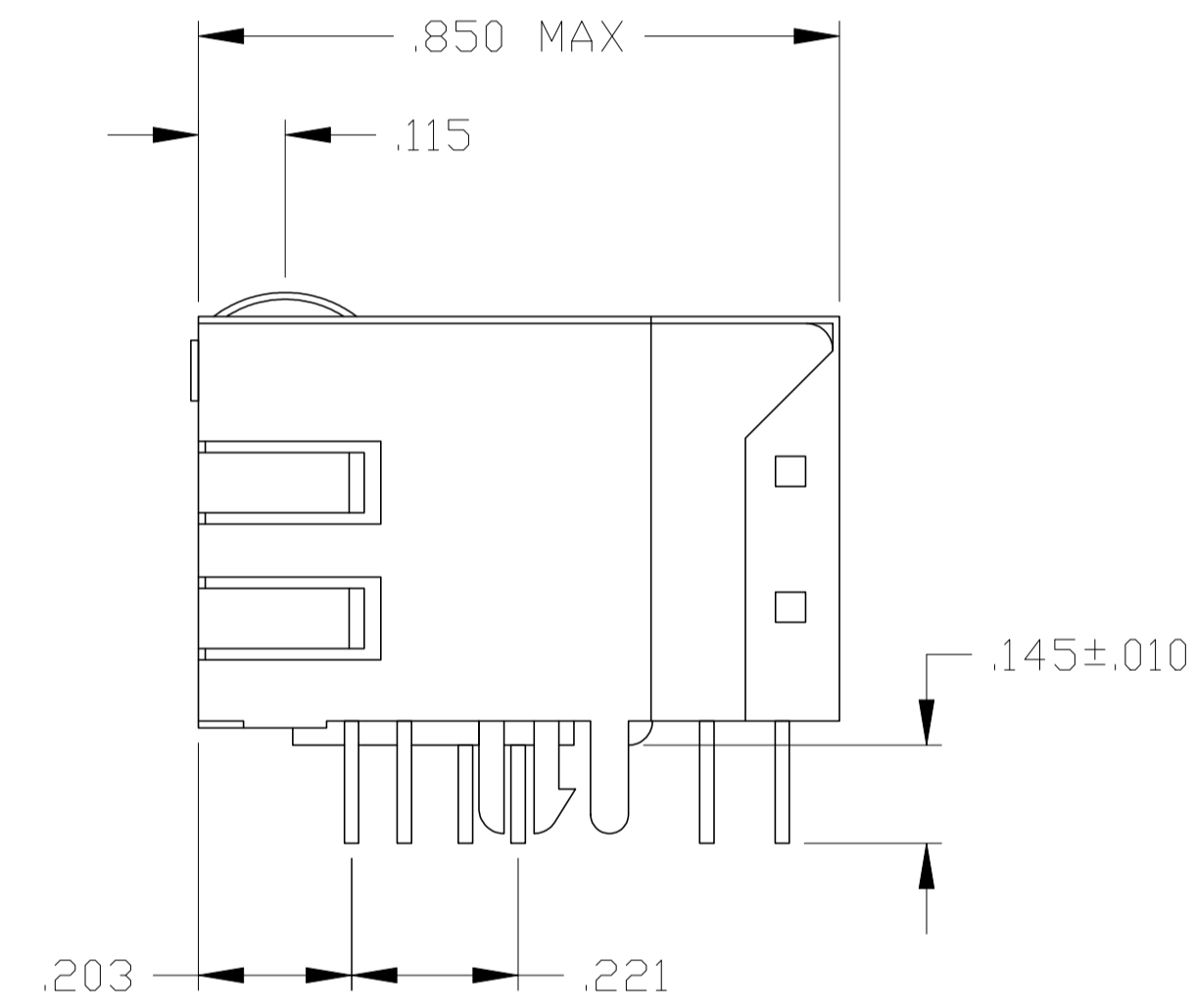
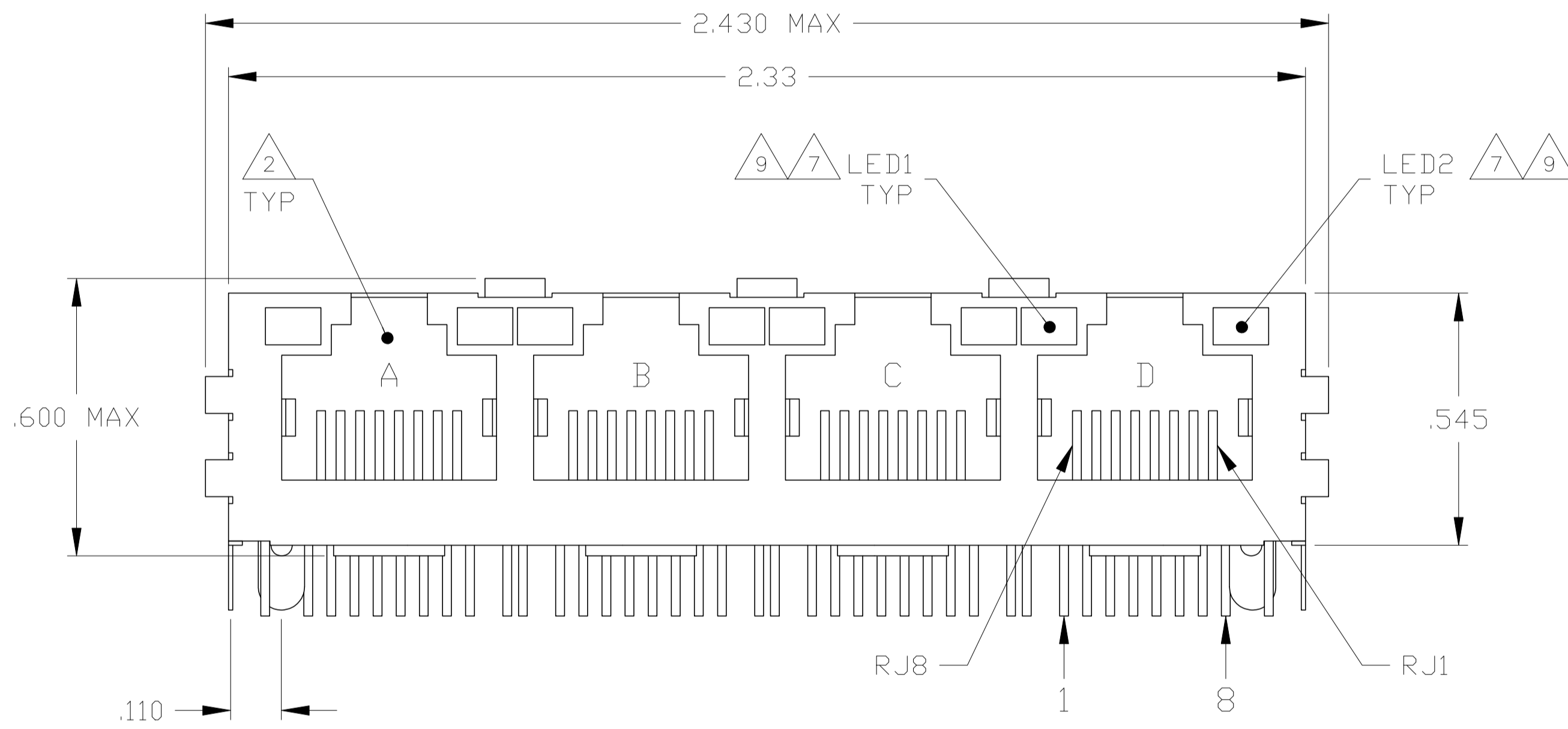
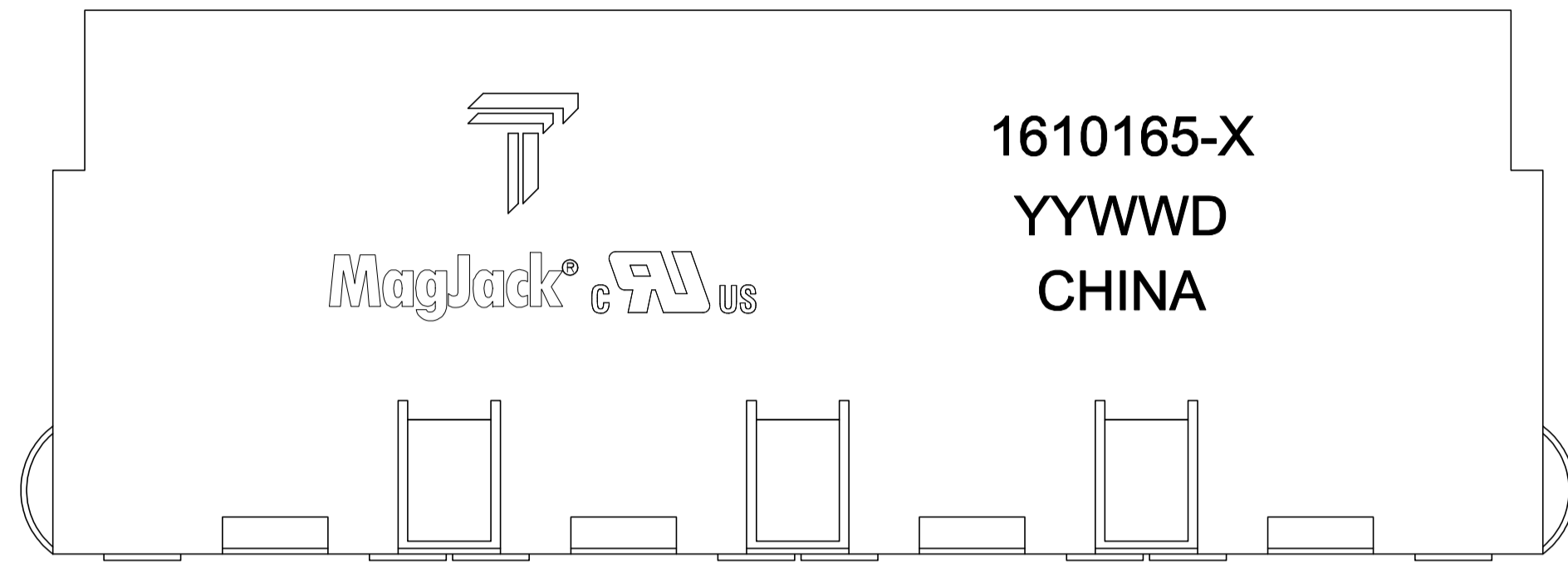


THIS DRAWING AND THE SUBJECT MATTER SHOWN THEREON ARE CONFIDENTIAL AND THE PROPERTY OF BEL/STEWART/TRP CONNECTOR AND SHALL NOT BE REPRODUCED, COPIED, OR USED IN ANY MANNER WITHOUT THE WRITTEN CONSENT OF TRP CONNECTOR.

PRODUCT MAY BE PROTECTED BY ONE OR MORE OF THE FOLLOWING US PATENTS:  
 5736910 5939955 6425781 6428361 6554638 6840817 7123117  
 7429195 7717749 7808751 6217391 6149050 7924130

REVISIONS				
P	REV	DESCRIPTION	DATE	APVD
E		EC-1411035 COMPANY LOGO CHANGE	08JAN2015	TL KZ

MECHANICAL:



1X4 SUGGESTED PANEL CUTOUT

- 1 MATERIALS:  
 -HOUSING - THERMOPLASTIC PET POLYESTER FLAMMABILITY RATING UL 94V-0.  
 -SHIELD - .010" THICK, C26800 BRASS PREPLATED WITH 80-150µIN SEMI-BRIGHT NICKEL; POST-DIPPED WITH 100µIN MIN TIN-LEAD.  
 -MOD JACK CONTACTS - .0157" X .018", PHOSPHOR BRONZE, 50µIN MIN OVERALL NICKEL UNDERPLATE, WITH SELECT 50µIN MIN HARD GOLD FINISH PLATE. SOLDER TAILS WITH 50µIN MIN NICKEL PLATE.  
 -LIGHT EMITTING DIODE(LED) - DIFFUSED EPOXY LENS, .020" X .020" CARBON STEEL WIREFRAME LEADS PREPLATED WITH 90µIN SILVER OVER 40µIN NICKEL UNDERPLATE OVER 80µIN COPPER UNDERPLATE. POST - PLATED WITH 300µIN MIN THICK TIN-LEAD.
- 2 RJ45 JACK CAVITY CONFORMS TO FCC RULES AND REGULATIONS PART 68, SUB PART F.
- 3 MAGNETICS:  
 -IMPEDANCE: 100 OHMS.  
 -TRANSMIT OPEN CIRCUIT INDUCTANCE (OCL): 350µH (MIN) @100KHZ, 0.1VRMS WITH 8 mA DC BIAS FOR EACH TRANSFORMER OVER T = -40 - +85C.  
 -RISE TIME: 2.5 NANO-SECONDS FROM 10 TO 90 PERCENT.  
 -TURNS RATIO (CHIP: CABLE): TX: 1:1, RX: 1:1.
- PERFORMANCE:  
 -TRANSMIT RJ-3 & -6.  
 -RECEIVE RJ-1 & -2.

FREQUENCY	*INSERTION LOSS	RETURN LOSS	CROSSTALK ATTENUATION	COMMON MODE REJECTION RATIO	
				TX	RX
.100 MHZ--999 MHZ	1.0 dB(MAX)	18.0 dB(MIN)	43.0 dB(MIN)	46.0 dB(MIN)	35.0 dB(MIN)
1.0 MHZ--15.0 MHZ	0.3 dB(MAX)	18.0 dB(MIN)	43.0 dB(MIN)	46.0 dB(MIN)	35.0 dB(MIN)
15.1 MHZ--60.0 MHZ	0.6 dB(MAX)	18.0 dB(MIN)	43.0 dB(MIN)	46.0 dB(MIN)	35.0 dB(MIN)
60.1 MHZ--80.0 MHZ	1.1 dB(MAX)	15.0 dB(MIN)	38.0 dB(MIN)	42.0 dB(MIN)	33.0 dB(MIN)
80.1 MHZ--100.0 MHZ	1.1 dB(MAX)	12.0 dB(MIN)	38.0 dB(MIN)	42.0 dB(MIN)	33.0 dB(MIN)

ALL MAGNETIC ELECTRICAL CHARACTERISTICS RATED @ T=25° C  
 \*INDICATED INSERTION LOSS REFERS TO MAGNETIC CIRCUITRY ONLY

HIPOT (ISOLATION VOLTAGE) :  
 -2250 VDC (1 mA CUTOFF CURRENT) FOR 60 SECOND DURATION.  
 -ALL BRIDGED ON EITHER SIDE OF MAGNETICS PACKAGE FOR RJ-45 CONTACTS.  
 OPERATING TEMPERATURE: FROM -40°C TO +85°C INDUSTRIAL TEMPERATURE RATED.

- 4 C1 IS A 1000pF, 2KV DECOUPLING CAPACITOR.
- 5 ALL DIMENSIONS NOMINAL UNLESS OTHERWISE NOTED.
- 6 R1-R4 = 75 OHMS, 1/16W, 5% RESISTORS.
- 7 LED COMPLIANT WITH IEC60825-1 SAFETY OF LASER PRODUCTS. WHEN OPERATED UP TO 20 mA. THE 250 OHM RESISTOR IS INCLUDED IN THE LED.
- 8 INDICATED CONNECTIONS ARE FOR HUB CONFIGURATION. THE MAGNETICS ARE SYMMETRICAL, AND SUPPORTS AUTO-MDI/MDIX.
- 9 LED PEAK WAVELENGTH GREEN(λD) = 565nm  
 YELLOW(λD) = 585nm.

YELLOW	GREEN	5-1610165-2
GREEN	YELLOW	5-1610165-1
LED1	LED2	PART NUMBER

THIS DRAWING IS A CONTROLLED DOCUMENT.

DIMENSIONS:	TOLERANCES UNLESS OTHERWISE SPECIFIED:	0 PLC ± -	1 PLC ± -	2 PLC ± .010	3 PLC ± .005	4 PLC ± -	ANGLES ± -
-------------	--	-----------	-----------	--------------	--------------	-----------	------------

PRODUCT SPEC: 108-2100

APPLICATION SPEC: -

SCALE: NTS

SHEET: 1 OF 2

REV: E

CUSTOMER DRAWING

DL DRUMMOND 21OCT2002

DL DRUMMOND 21OCT2002

EC LAURER 21OCT2002

trp CONNECTOR

DONGGUAN CHINA

MODEL NAME: MAGJACK

DESC: 1X4 746ET 10/100 TAB UP W/ LED

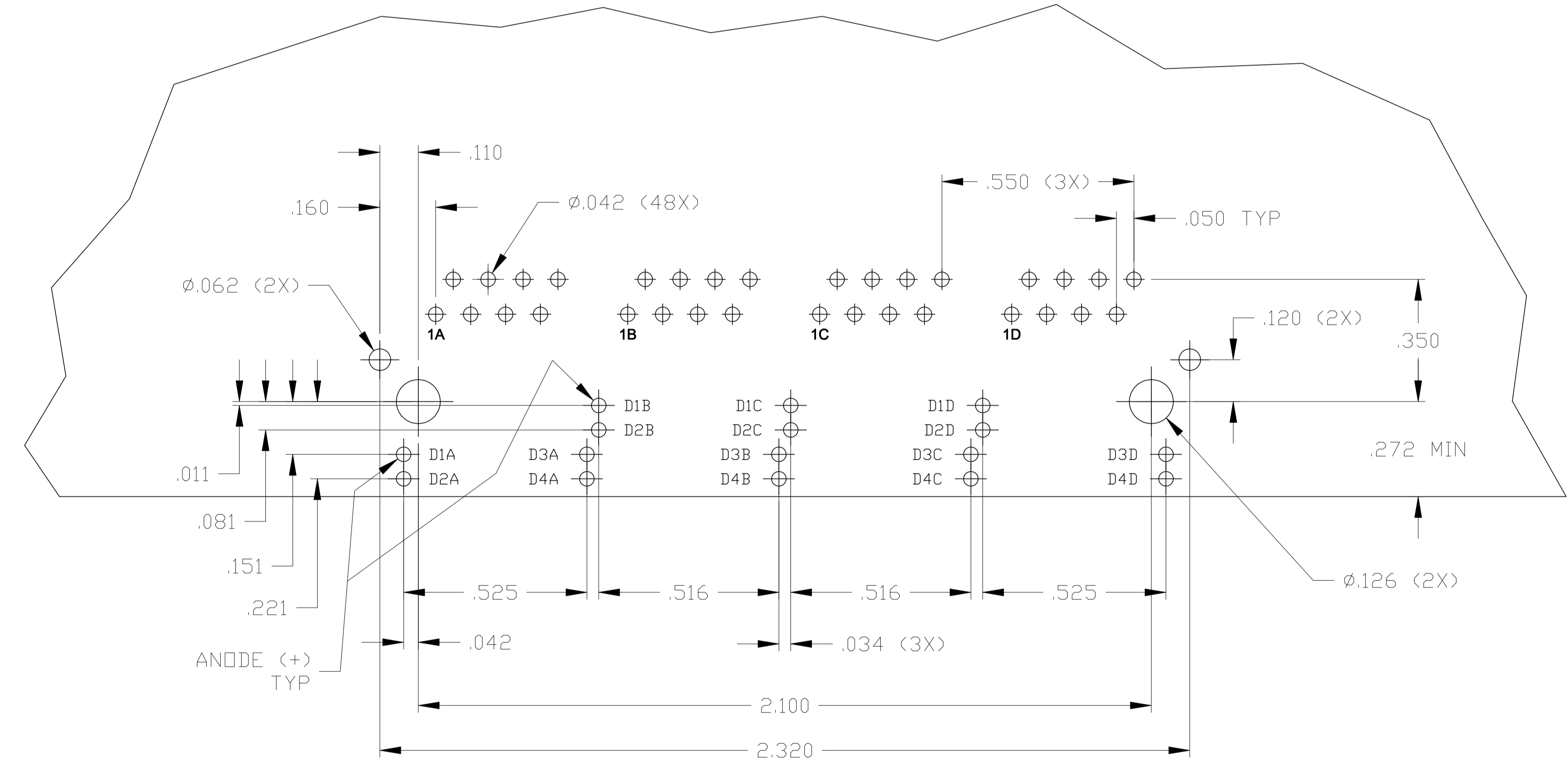
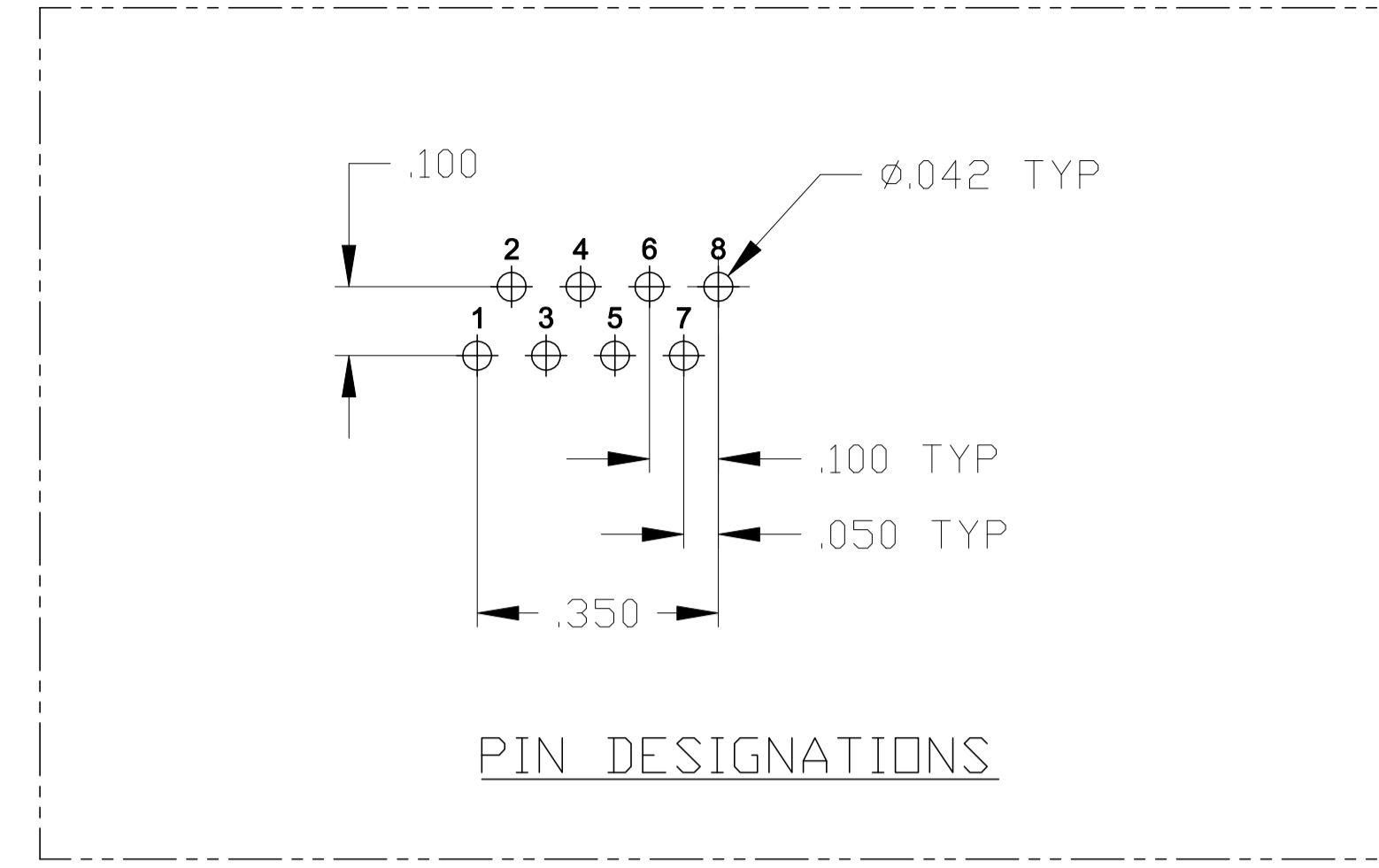
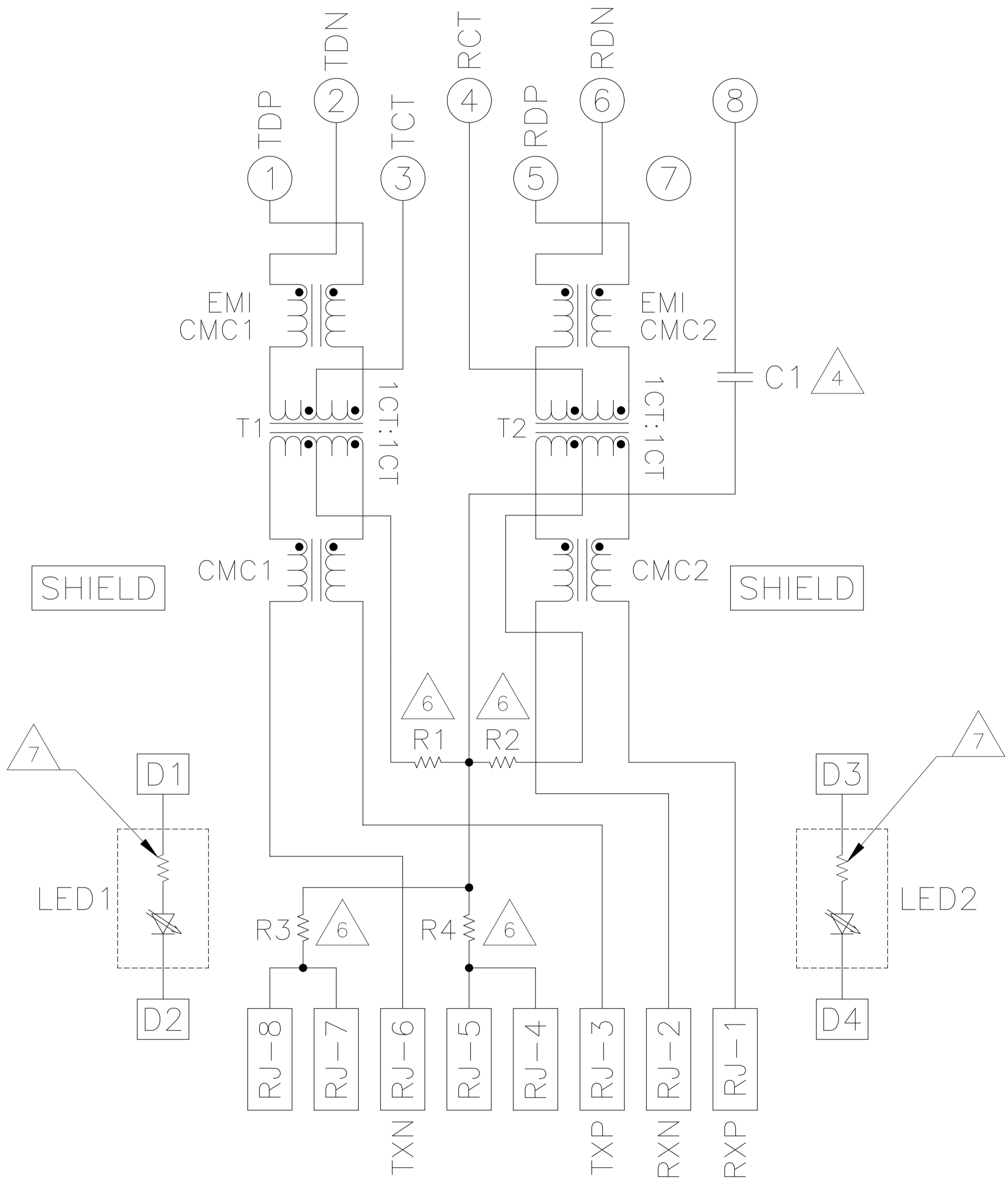
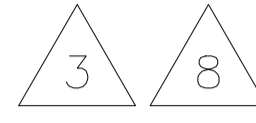
SIZE: A1

CAGE CODE: C=1610165

RESTRICTED TO: -

ELECTRICAL:

746ET SERIES MAGNETIC CIRCUIT



THIS DRAWING IS A CONTROLLED DOCUMENT.		OWN DL DRUMMOND 21OCT2002	CHK DL DRUMMOND 21OCT2002	APVD EC LAURER 21OCT2002	MODEL NAME MAGJACK	DESC 1X4 746ET 10/100 TAB UP W/ LED	SIZE A1	CAGE CODE -	DRAWING NO C=1610165	RESTRICTED TO -
DIMENSIONS: INCHES	TOLERANCES UNLESS OTHERWISE SPECIFIED:	0 PLC ± -	1 PLC ± -	2 PLC ± .010	3 PLC ± .005	4 PLC ± -	ANGLES ± -	APPLICATION SPEC	PRODUCT SPEC 108-2100	CUSTOMER DRAWING
		SCALE NTS		SHEET 2 OF 2		REV E		DONGGUAN CHINA		