

4

3

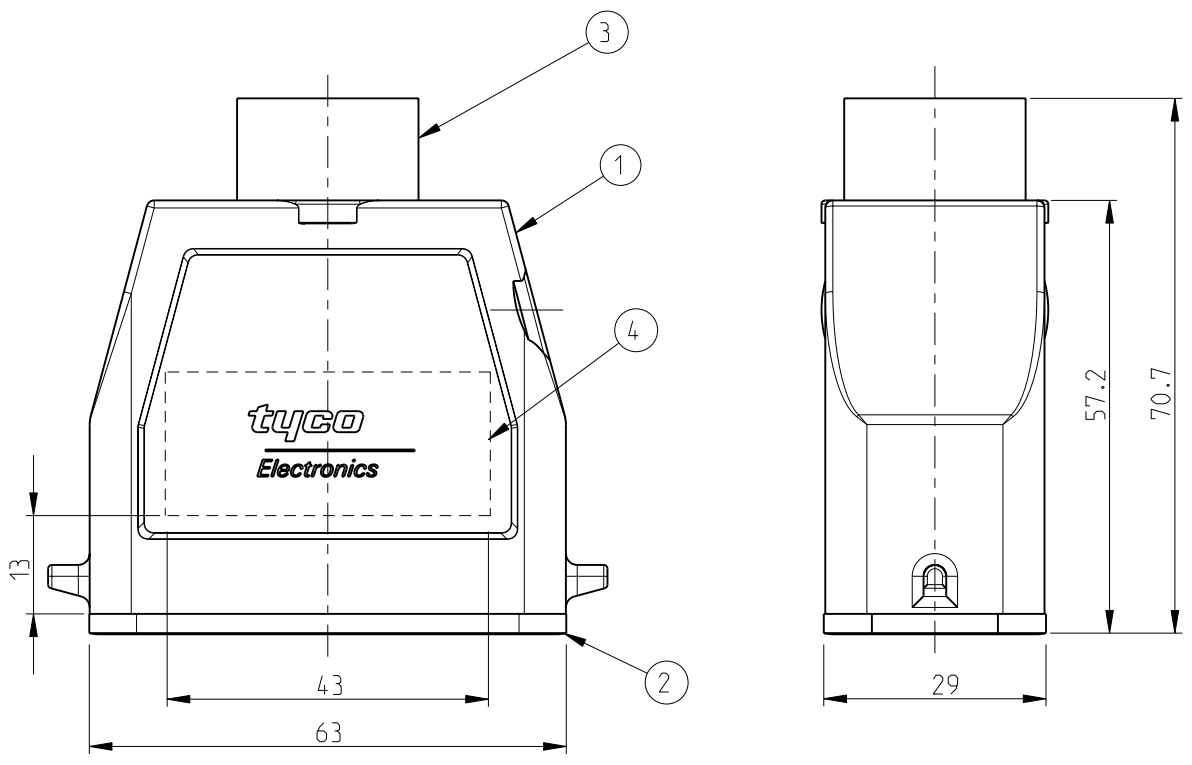
2

1

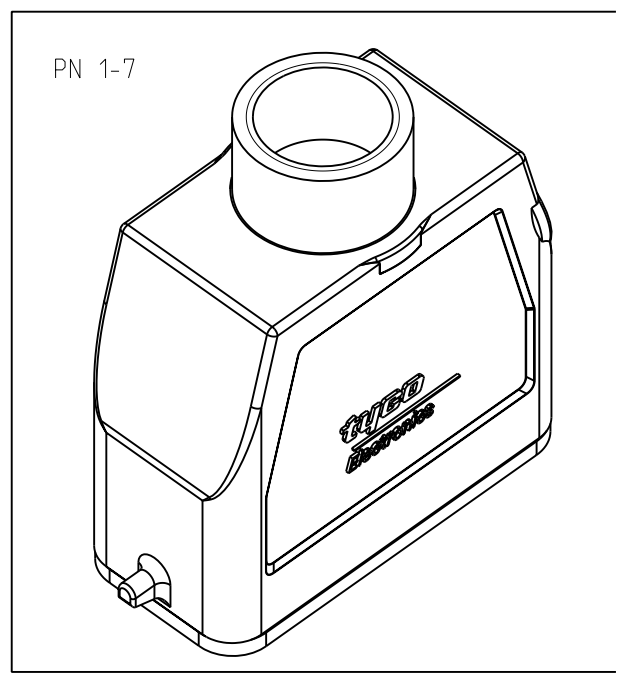
THIS DRAWING IS UNPUBLISHED. RELEASED FOR PUBLICATION 2000  
 © COPYRIGHT 2000 BY TYCO ELECTRONICS CORPORATION. ALL RIGHTS RESERVED.

LOC	DIST	REVISIONS					
		P	LTR	DESCRIPTION	DATE	DWN	APVD
A1	-	B3		ECR-10-016845	12AUG2010	-	-

PN 1-7



- NOTES
- 1 PACKAGING  
PACKAGING QUANTITY:5 PIECES PER BOX
  - 2 MATERIAL:HOUSING ALUMINIUM DIECASTING ALLOY  
SEALS:NEOPRENE
  - 3 SURFACE:VARNISH-GREY
  - 4 VARNISH ON THE INSIDE NOT NECESSARY



1-7	DESCRIPTION	MATERIAL	SURFACE	COLOR	ITEM NO	REMARKS
2	INSULATING TAPE	COROPLAST TYP 303	-	GREY	4	PVC-SOFT
1	ADAPTOR ROUND	BRASS	NICKEL PLATED	BLUE	3	PG16
1	PROFILE SEAL	NEOPRENE	-	BLACK	2	-
1	HA,HOOD	ALUMINIUM	-	GREY	1	-
1-7	DESCRIPTION	MATERIAL	SURFACE	COLOR	ITEM NO	REMARKS
	HA.10.STO.1.16.Z	3 PACKAGING				

THIS DRAWING IS A CONTROLLED DOCUMENT FOR TYCO ELECTRONICS CORPORATION  
 IT IS SUBJECT TO CHANGE AND THE CONTROLLING ENGINEERING ORGANIZATION  
 SHOULD BE CONTACTED FOR THE LATEST REVISION.

DIMENSIONS: mm	TOLERANCES UNLESS OTHERWISE SPECIFIED: n:ISO 2768-mS-E m:ISO 2768-mH-E DIN 96901-120
	0 PLC ± 1 PLC ± 2 PLC ± 3 PLC ± 4 PLC ± ANGLES ± -
MATERIAL	FINISH
2	3

DWN S.KUMAR 2/24/2006	Tyco Electronics, AMP.GmbH 53757 Sankt Augustin, Germany	
CHK R.SRINIVAS 2/24/2006	NAME HOOD HA.10.STO.1.16.Z	
APVD T.SCHNURPFIL 2/24/2006	PRODUCT SPEC 108-74009	
APPLICATION SPEC 114-74001	SIZE A3	CAGE CODE 00779
WEIGHT -	DRAWING NO 1102119	RESTRICTED TO
CUSTOMER DRAWING		SCALE 1:1 SHEET 1 OF 1 REV B3

# Mouser Electronics

Authorized Distributor

Click to View Pricing, Inventory, Delivery & Lifecycle Information:

[TE Connectivity:](#)

[1-1102119-7](#)