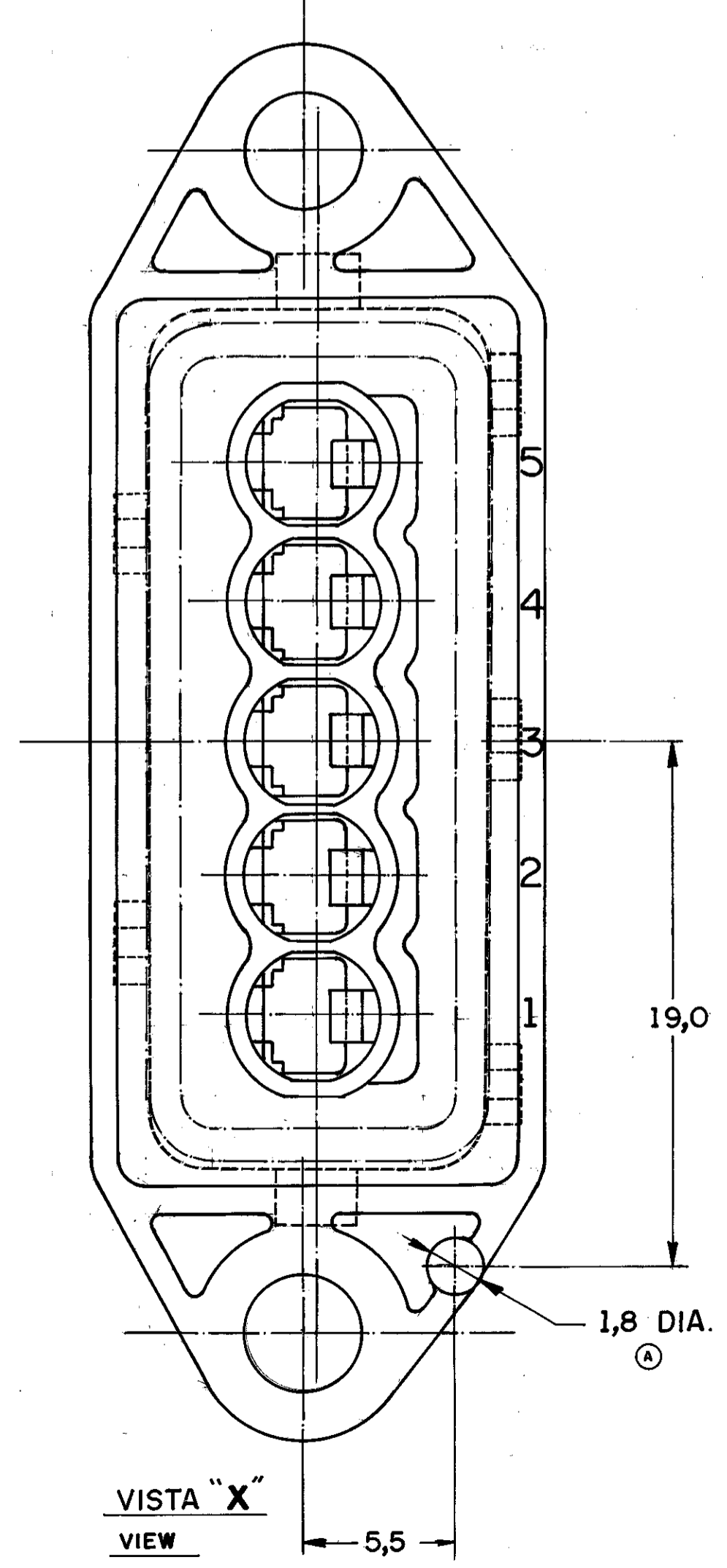
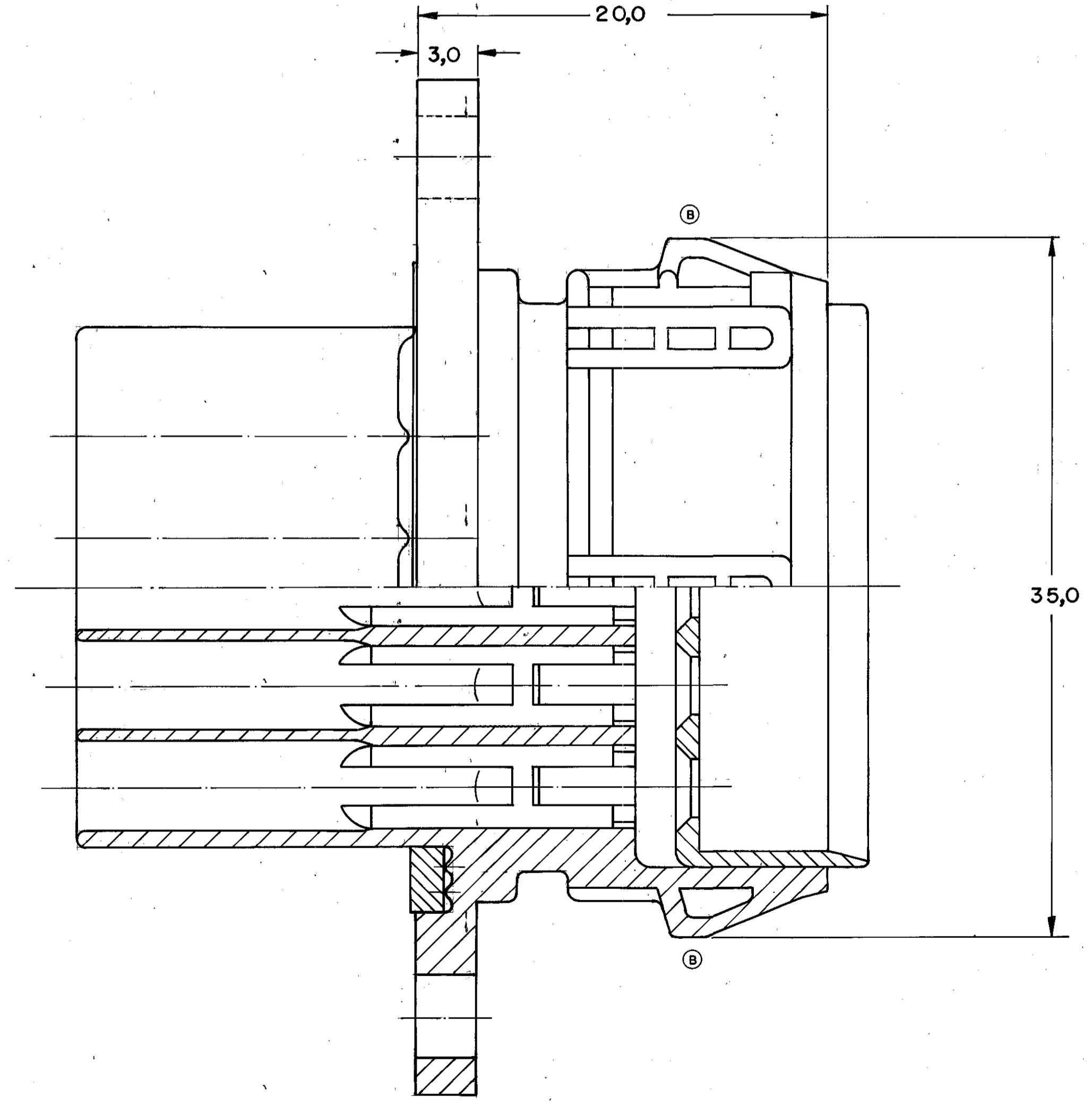
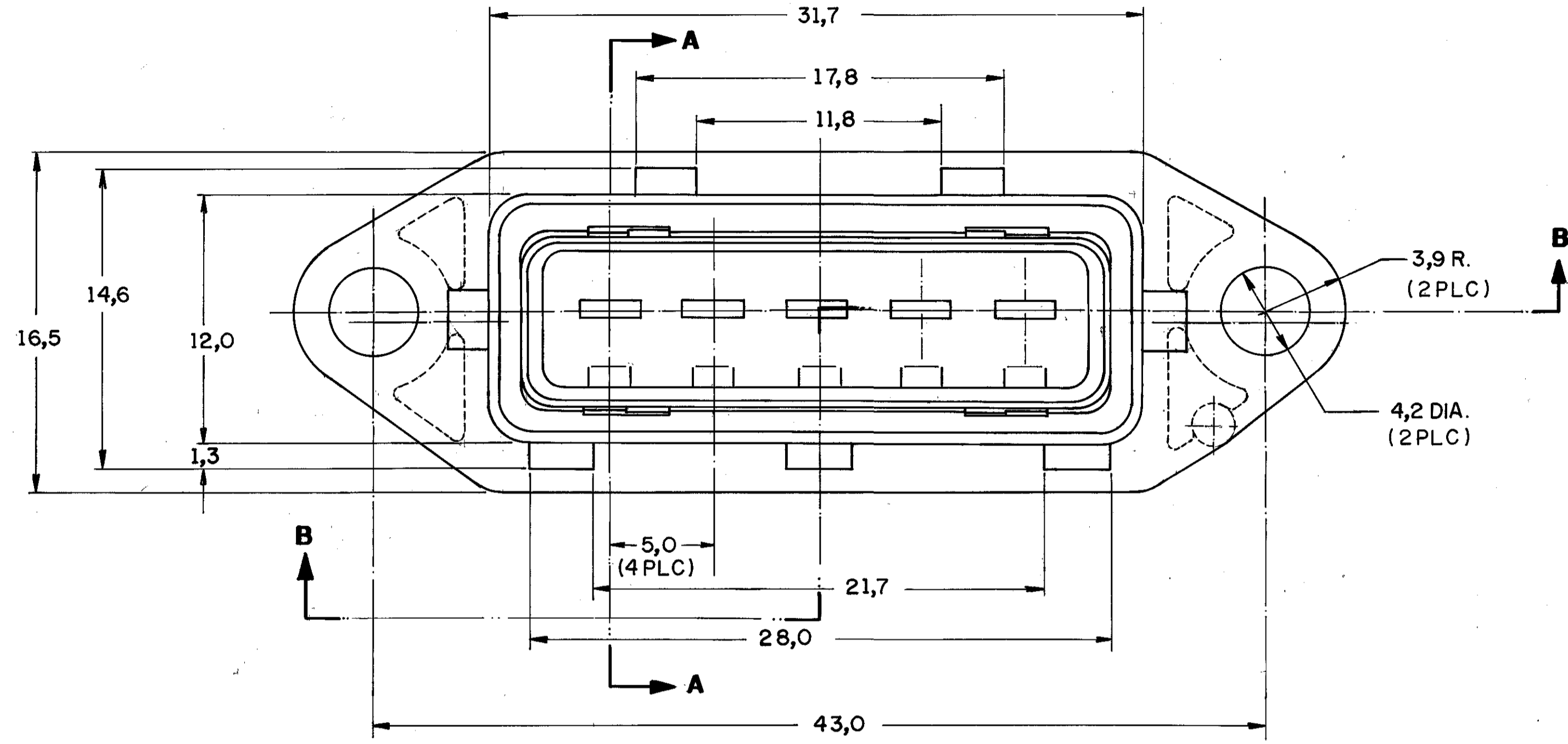
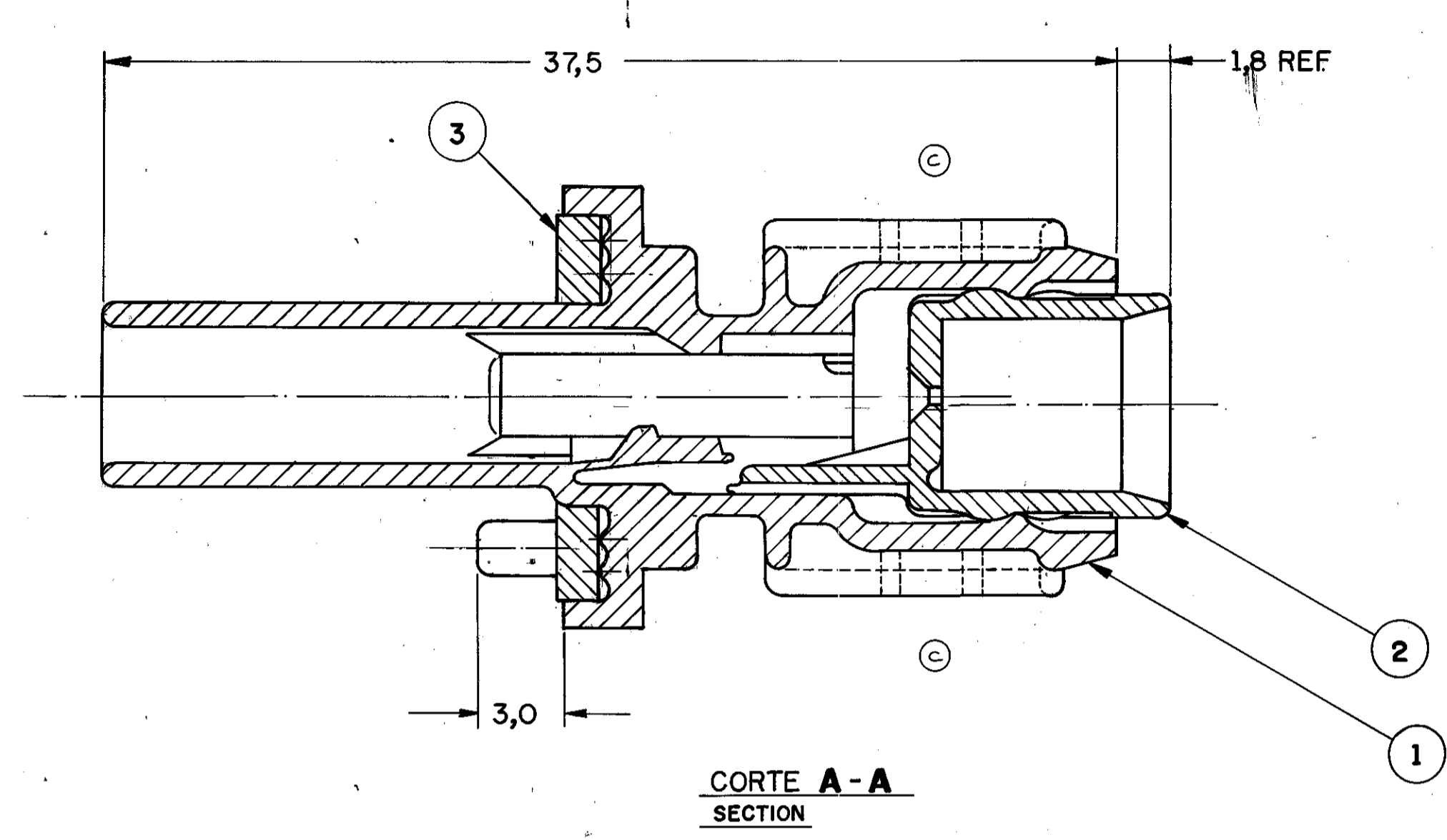


C444343 1 of 1

444343		DO NOT SCALE		<b>METRIC</b>		3rd ANGLE PROJECTION	
		DIMENSIONS IN mm.					
REQ. PER ASSY	ITEM No	DESCRIPTION	MATERIAL	FINISH			
1	1	HOUSING, 5 POSN., JUNIOR POWER TIMER, TAB.	PA.6.6+30% FV.(GF)	PRETO (BLACK)			
1	2	SPACER, 5 POSN., JUNIOR POWER TIMER, TAB.	PA.6.6+30% FV.(GF)	AMARELO(YELLOW)			
1	3	RUBBER SEAL	SILICONE	LARANJA(ORANGE)			



- 1 - OS ITENS 1, 2 E 3 SÃO FORNECIDOS COMO MOSTRADOS.
- 2 - GRAVAÇÕES QUE DEVERÃO CONSTAR: MARCA REGISTRADA AMP, CÓDIGO DO PAÍS PRODUTOR, PAÍS PRODUTOR, NÚMERO DA PEÇA AMP, IDENTIFICAÇÃO DA CAVIDADE, IDENTIFICAÇÃO DE CIRCUITO E NOMENCLATURA DO MATERIAL.
- ITENS 1, 2 AND 3 ARE SUPPLIED AS SHOWN.
- STAMP THAT MUST BE EVIDENT: AMP TRADEMARK, MANUFACTURER COUNTRY CODE, MANUFACTURER COUNTRY, AMP PART NUMBER, CAVITY IDENTIFICATION, CIRCUIT IDENTIFICATION AND MATERIAL NOMENCLATURE.

OTHER TREATMENT	FINISH	MATERIAL	PART NUMBER
<b>CUSTOMER DWG</b> for REFERENCE ONLY			
THIS DRAWING IS UNPUBLISHED		RELEASED FOR PUBLICATION	
COPYRIGHT 1994 BY AMP DO BRASIL LTDA SP		ALL INTERNATIONAL RIGHTS RESERVED. AMP PRODUCTS ARE COVERED BY US AND FOREIGN PATENTS AND/OR PATENTS PENDING.	
TOLERANCES UNLESS OTHERWISE STATED	DEC. 20.3	ANGLES 2:1	SCALE 5:1
DR. 03-JUN-94	D.A. Rocha		
REVISED BY	DATE	CHK	APP
B CONFIG CHANGE EC591-06	27-JUN-94	PLF	DR
A DIMENSION WAS 2,0	28-09-94	DE	DR
O WAS 93-29152	27-JUN-94	DR	DR
REV. RECORD	DR	CHK	DATE
APP	D. Rocha		
DESCRIPTION		AMP do BRASIL LTDA	
HOUSING ASSY, 5 POSN., JUNIOR POWER TIMER, TAB.		São Paulo, Brasil	
DWG NO		SHEET	
A1		C 444343 1 of 1	

This information is confidential and is disclosed to you on condition that you will not disseminate it without the prior written authorization from AMP DO BRASIL S.P.

PRINT DISTN

# Mouser Electronics

Authorized Distributor

Click to View Pricing, Inventory, Delivery & Lifecycle Information:

[TE Connectivity:](#)

[444343-1](#)