

4

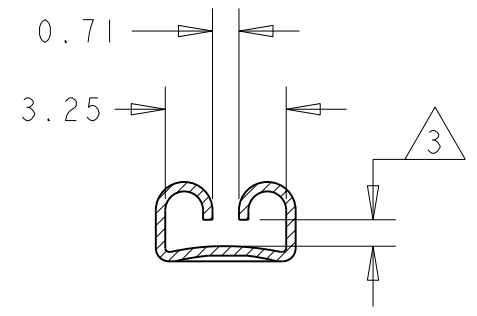
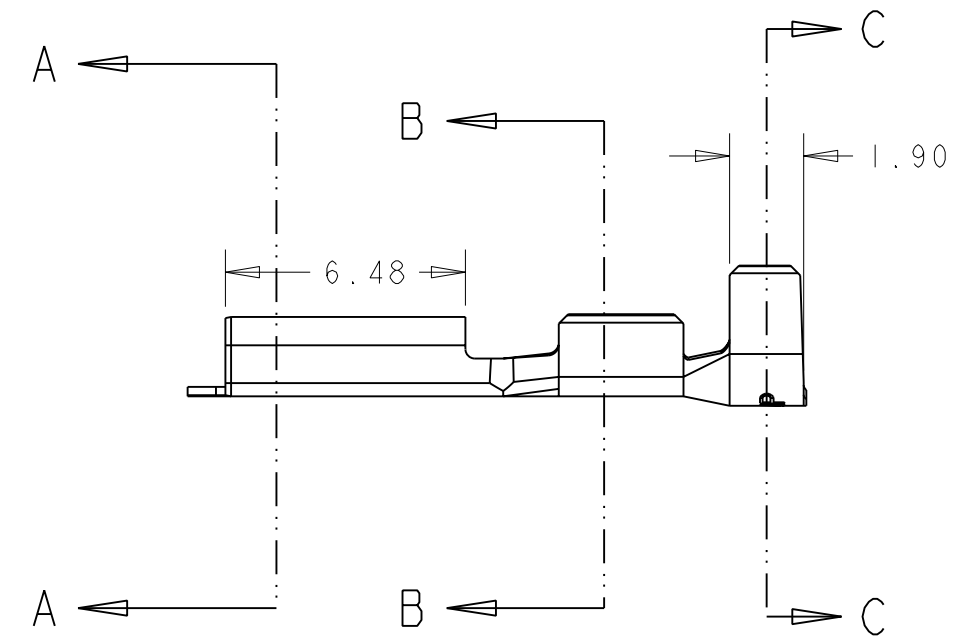
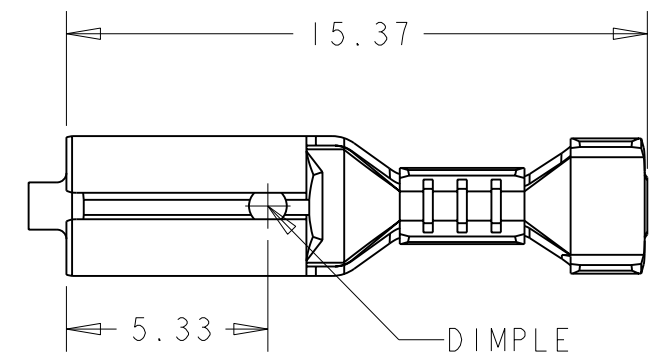
3

2

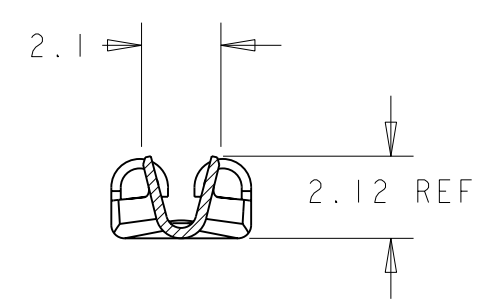
1

THIS DRAWING IS UNPUBLISHED. RELEASED FOR PUBLICATION 20  
 © COPYRIGHT 20 ALL RIGHTS RESERVED.

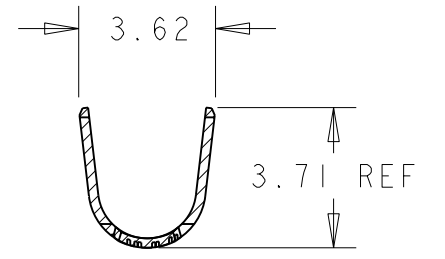
LOC	DIST	REVISIONS			
P	LTR	DESCRIPTION	DATE	DWN	APVD
	L1	ECR-10-000004	01JAN10	RK	SRE
	L2	L.P VERSION INFO ADDED	25MAY2011	PKS	RRP



SECTION A-A



SECTION B-B



SECTION C-C

NOTES:

- 1. WIRE SIZE: 0.2 - 0.56mm<sup>2</sup>
- 2. INSULATION DIAMETER: 2.0 - 3.0mm
- 3 TO SUIT 0.50mm THICK TAB

		NONE	NICKEL SILVER	150500-8
	SPLICE FREE	ELECTRO TIN	BRASS	150500-7
150205-6		NONE	PHOS BRONZE	150500-6
150205-5		SILVER PLATED	BRASS	150500-5
150205-4		PRE-TIN	BRASS	150500-4
OBSOLETE	<del>150205-3</del>	<del>GOLD PLATED</del>	<del>BRASS</del>	<del>150500-3</del>
150205-2		ELECTRO TIN	BRASS	150500-2
150205-1		NONE	BRASS	150500-1
L.P P/N	REELING	FINISH	MATERIAL	PART NO

THIS DRAWING IS A CONTROLLED DOCUMENT.		DWN M. GREENER 15JUN2007	TE Connectivity .110 SERIES MINIATURE FASTON RECEPTACLE	
DIMENSIONS: mm		CHK J. AMBROSE 15JUN2007		
TOLERANCES UNLESS OTHERWISE SPECIFIED:		APVD J. AMBROSE 15JUN2007		
0 PLC ±0.5 1 PLC ±0.5 2 PLC ±0.5 3 PLC ±0.5 4 PLC ±0.5 ANGLES ±° FINISH ±2		PRODUCT SPEC 108-20020	NAME	
MATERIAL SEE TABLE		APPLICATION SPEC 114-2036	SIZE CAGE CODE DRAWING NO RESTRICTED TO	
FINISH SEE TABLE		WEIGHT -	A300779 C-150500	
		CUSTOMER DRAWING	SCALE NTS	SHEET 1 OF 1 REV L2

# Mouser Electronics

Authorized Distributor

Click to View Pricing, Inventory, Delivery & Lifecycle Information:

[TE Connectivity:](#)

[150500-2 \(Loose Piece\)](#)