



PLATING ACTIVE ZONE			CHARACTERISTICS					
500 mating/unmating Ni: $2\mu\text{m}_0^{+2\mu\text{m}}$ Au: $1.27\mu\text{m min}$	500 mating/unmating Cu : flash Ni P : $2\mu\text{m}_0^{+2\mu\text{m}}$ Au: $0.2\mu\text{m min}$ (equivalent $0.8\mu\text{m Au}$)	200 mating/unmating Cu : flash Ni P : $2\mu\text{m}_0^{+2\mu\text{m}}$ Au: $0.15\mu\text{m min}$ (equivalent $0.4\mu\text{m Au}$)	CURRENT max A	AWG WIRE	mm ² AREA	$\varnothing A^{+0.1}_0$	$\varnothing B \pm 0.1$	Clip colour
8638PSC 4007LF	8638PSC 4006LF	8638PSC 4005LF	40	8-10	5-8	4.70	5.50	BLUE
8638PSC 3007LF	8638PSC 3006LF	8638PSC 3005LF	30	9	6	3.75	4.75	WHITE
8638PSC 2007LF	8638PSC 2006LF	8638PSC 2005LF	20	12-14	2-3	2.80	3.70	RED
8638PSC 1007LF	8638PSC 1006LF	8638PSC 1005LF	10	16-18	0.9-1.3	1.80	2.55	BLACK

NOTE: RoHS INFORMATIONS

- The "LF" products meet European union Directives and regulations as described in GS-22-008
- Termination plating spec: Sn pure matte
- Packaging spec: see GS-14-920

Materials and finish

Active zone: CuZn40 Pb3. Plating: See table
 Termination zone (crimping sleeve): CuZn40Pb3
 Plating $2\mu\text{m}_0^{+2\mu\text{m}}$ Cu $3\mu\text{m}_0^{+3\mu\text{m}}$ Tin pure matte
 Clip : Thermoset plastic

Technical characteristics

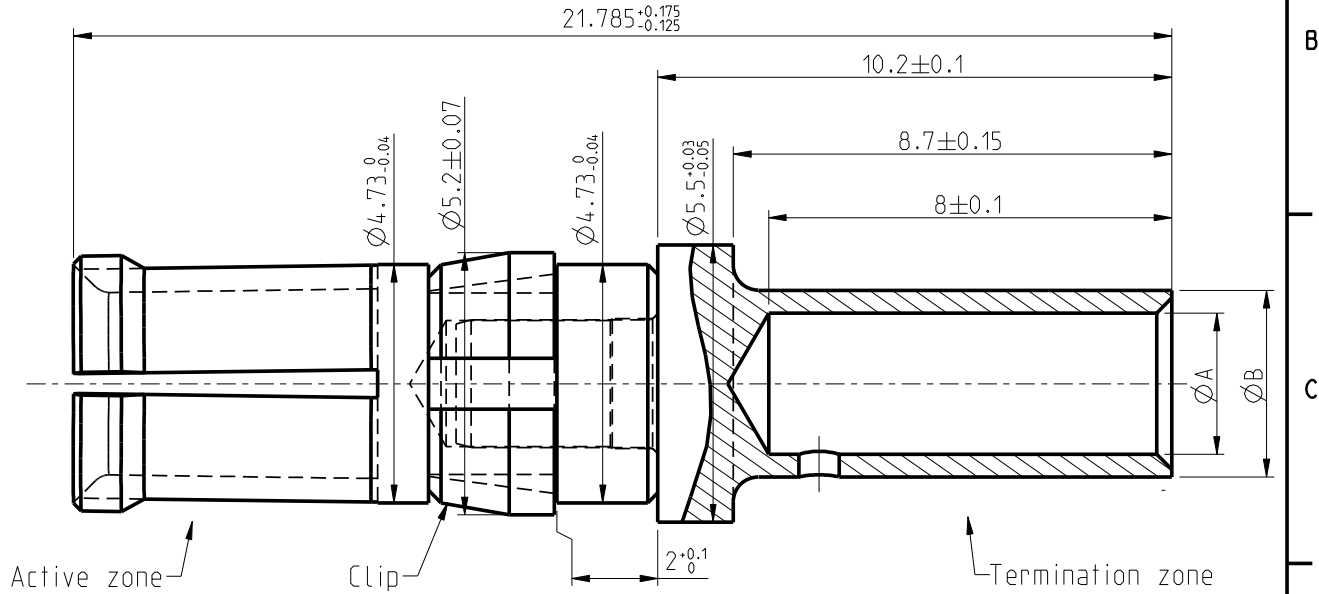
Peak voltage: 750 Veff.
 Operating voltage: 500 Veff.
 Temperature range $-55^\circ\text{C} +125^\circ\text{C}$
 Packaged per 100
 Current capability : see table

Mechanical characteristics :

Crimping test: according to MILC39029
 Mechanical endurance: 200 or 500 matings/unmatings (see table).
 Contact insertion force in insulator:
 60N maxi in a hole of 4.80 mm

Examination of product:

Remove all burrs and sharp edges 0.08 maxi
 No scratch allowed



Mark with /		Material	SEE NOTES	Spec ref																													
		Mat code	-	surface	-																												
		Heatreat	-	tolerance	ISO 405																												
		Plating/Finish	SEE TABLE + NOTES	ISO 1302	ISO 1101																												
		Dr	JARRY	1994/10/14																													
		Eng	PESSON	1994/10/14	Product family																												
		Chr	LEGARE	1994/10/14	Model Name																												
		Appr	LEGARE	1994/10/14	Model Revision																												
		size		A3	Scale																												
		ECN		F10-0031	10:1																												
		REL Level		1																													
<table border="1"> <thead> <tr> <th>rev</th> <th>ecn no</th> <th>dr</th> <th>date</th> </tr> </thead> <tbody> <tr> <td>F</td> <td>---</td> <td>JAR</td> <td>2002/02/28</td> </tr> <tr> <td>G</td> <td>LS05-006</td> <td>MPE</td> <td>2005/04/14</td> </tr> <tr> <td>H</td> <td>LS06-0097</td> <td>LGO</td> <td>2006/07/27</td> </tr> <tr> <td>J</td> <td>LS08-0029</td> <td>MPE</td> <td>2008/01/28</td> </tr> <tr> <td>K</td> <td>F09-0054</td> <td>LSA</td> <td>2009/06/10</td> </tr> <tr> <td>L</td> <td>F10-0031</td> <td>GPE</td> <td>2010/04/12</td> </tr> </tbody> </table>		rev	ecn no	dr	date	F	---	JAR	2002/02/28	G	LS05-006	MPE	2005/04/14	H	LS06-0097	LGO	2006/07/27	J	LS08-0029	MPE	2008/01/28	K	F09-0054	LSA	2009/06/10	L	F10-0031	GPE	2010/04/12	FCI title FEMALE POWER CONTACT FOR CRIMPED CONNECTION		dwg no C01-8638-0326	
rev	ecn no	dr	date																														
F	---	JAR	2002/02/28																														
G	LS05-006	MPE	2005/04/14																														
H	LS06-0097	LGO	2006/07/27																														
J	LS08-0029	MPE	2008/01/28																														
K	F09-0054	LSA	2009/06/10																														
L	F10-0031	GPE	2010/04/12																														
Pro/E file		catalog no		Customer																													

Mouser Electronics

Authorized Distributor

Click to View Pricing, Inventory, Delivery & Lifecycle Information:

[FCI / Amphenol:](#)

[8638PSC4006LF](#) [8638PSC1005LF](#) [8638PSC1006LF](#) [8638PSC2005LF](#) [8638PSC2006LF](#) [8638PSC3005LF](#)
[8638PSC3006LF](#) [8638PSC4005LF](#)