

PLEASE CHECK WWW.MOLEX.COM FOR LATEST PART INFORMATION

Part Number: [0622018919](#)
Status: **Active**
Description: Impel Daughter Card Press-In Tool

Documents:

[RoHS Certificate of Compliance \(PDF\)](#)

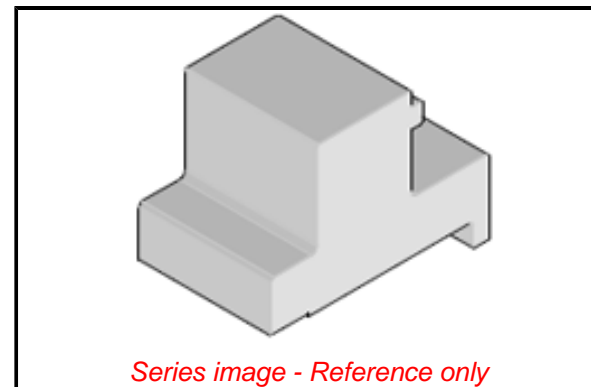
General

| | |
|--------------------------------|---|
| Product Family | Application Tooling |
| Series | 207123 |
| Comments | See Tooling Specification (PDF) Above |
| Function | Insertion |
| Geographic Area | Global |
| Level of Automation | Manual |
| More Detailed Tech Information | applicationtooling@molex.com |
| Product Name | Impel |
| Tool Type | Press-Fit Insertion Tool |
| UPC | 887191156491 |
| Warranty Disclaimer | CAUTION: Molex tooling crimp specifications are valid only when used with Molex terminals and tooling manufactured by Molex and sold by Molex or authorized distributors ("Molex Tooling"). When using tooling other than Molex Tooling with Molex specific connector systems listed in our ATS documents, the Molex tooling qualification does not apply and the responsibility for full qualification of the connector system is that of the customer. Molex accepts no liability for connector performance or tooling support where tooling other than Molex Tooling is used or where Molex Tooling is modified. |

Material Info

Reference - Drawing Numbers
Application Tooling Documents

ATS-622018919



EU ELV

Not Relevant

EU RoHS

Compliant

REACH SVHC

Not Reviewed

Halogen-Free

Status

Not Relevant

Need more information on product environmental compliance?

Email productcompliance@molex.com
Please visit the [Contact Us](#) section for any non-product compliance questions.

China ROHS

Not Relevant

ELV

Not Relevant

RoHS Phthalates

Not Reviewed

Search Parts in this Series

[207123](#) Series

Use With

[171400](#) Impel 1.9mm Pitch Daughtercard Module Assembly, 6-Pair by 10 Column Assemblies

Mouser Electronics

Authorized Distributor

Click to View Pricing, Inventory, Delivery & Lifecycle Information:

[Molex:](#)

[62201-8919](#)