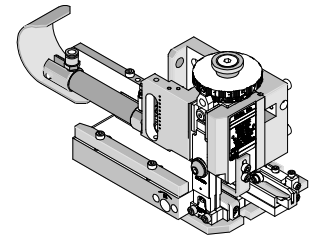




**Mini-Mac
Applicator
Air Feed
Mylar Tape**

**Application Tooling
Specification Sheet**



Order No. 63885-4600

FEATURES

- Directly adapts to most crimp presses and automatic wire processors
- Applicator designed to industry standard mounting and shut height of 135.80mm (5.346")
- Conductor and insulation rings allow quick adjustment for conductor and insulation crimp height change
- Quick set-up time; plus the crimp height, track and feed adjustments can be set without removing the applicator from the crimp press

SCOPE

Products: Vibrakrimp™ Ring Tongue, Rectangular Tongue, Spade Tongue, Hook Tongue, Snap Spade and Flanged Spade Terminals, 14-16 AWG.

**Testing
Mechanical**

The tensile test, or pull test, is a means of evaluating the mechanical properties of the crimped connections. The following chart shows the UL and government specifications (MIL-T-7928) for various wire sizes. The tensile strength is shown in pounds and it indicates the minimum acceptable force to break or separate the terminal from the conductor.

Color Code	Wire Size (AWG)	*UL - 486 A	*UL - 486 C	*UL - 310	*Military Class 2
Yellow	26	3	N/A	N/A	7
Yellow	24	5	N/A	N/A	10
Red	22	8	8	8	15
Red	20	13	10	13	19
Red	18	20	10	20	38
Blue	16	30	15	30	50
Blue	14	50	25	50	70
Yellow	12	70	35	70	110
Yellow	10	80	40	80	150
Red	8	90	45	N/A	225
Blue	6	100	50	N/A	300

*UL - 486 A - Terminals (Copper conductors only)

*UL - 486 C - Butt Splices, Parallel Splices, Closed End Connectors, and Wire Nuts

*UL - 310 - Quick Disconnects, Flag and Couplers

*Military Class 2- Military Approved Terminals only as listed

Product List

The following is a partial list of the product order numbers and their specifications that this tool is designed to run. Updates to this list are available on www.molex.com.

Wire Size: 16 – 14 AWG 1.00 – 2.50mm ²					
Terminal No.	Terminal Eng No. (Reference)	Wire Strip Length		Insulation Diameter Maximum	
		In	mm	In	mm
19033-0009	B-479T	.250	6.35	.170	4.32
19033-0010	B-489T	.250	6.35	.170	4.32
19072-0045	BB-418-10T	.250	6.35	.170	4.32
19072-0047	BB-418-14T	.250	6.35	.170	4.32
19072-0049	BB-418-38T	.250	6.35	.170	4.32
19072-0052	BB-418-56T	.250	6.35	.170	4.32
19072-0054	BB-423-02T	.250	6.35	.170	4.32
19072-0056	BB-423-04T	.250	6.35	.170	4.32
19072-0058	BB-423-06T	.250	6.35	.170	4.32
19072-0060	BB-423-08T	.250	6.35	.170	4.32
19072-0062	BB-425-10T	.250	6.35	.170	4.32
19072-0064	BB-425-14T	.250	6.35	.170	4.32
19072-0066	BB-425-56T	.250	6.35	.170	4.32
19072-0068	BB-437-04T	.250	6.35	.170	4.32
19072-0070	BB-437-06T	.250	6.35	.170	4.32
19072-0072	BB-437-08T	.250	6.35	.170	4.32
19072-0074	BB-437-10T	.250	6.35	.170	4.32
19072-0077	BB-439-04T	.250	6.35	.170	4.32
19072-0079	BB-439-06T	.250	6.35	.170	4.32
19072-0081	BB-439-08T	.250	6.35	.170	4.32
19072-0083	BB-439-10T	.250	6.35	.170	4.32
19097-0045	BB-413-04T	.250	6.35	.170	4.32
19097-0047	BB-413-06T	.250	6.35	.170	4.32
19097-0049	BB-413-08T	.250	6.35	.170	4.32
19097-0052	BB-482-06T	.250	6.35	.170	4.32
19097-0054	BB-482-08T	.250	6.35	.170	4.32
19097-0056	BB-482-10T	.250	6.35	.170	4.32
19097-0061	BB-485-06T	.250	6.35	.170	4.32
19097-0063	BB-485-08T	.250	6.35	.170	4.32
19097-0065	BB-485-10T	.250	6.35	.170	4.32
19097-0069	BB-488-04T	.250	6.35	.170	4.32
19097-0071	BB-488-06T	.250	6.35	.170	4.32
19097-0073	BB-488-08T	.250	6.35	.170	4.32
19097-0075	BB-488-10T	.250	6.35	.170	4.32
19149-0042	BB-407-04T	.250	6.35	.170	4.32
19149-0044	BB-407-06T	.250	6.35	.170	4.32
19149-0046	BB-424-04T	.250	6.35	.170	4.32
19149-0048	BB-424-06T	.250	6.35	.170	4.32
19149-0050	BB-424-08T	.250	6.35	.170	4.32
19149-0052	BB-427-06T	.250	6.35	.170	4.32
19149-0054	BB-427-08T	.250	6.35	.170	4.32
19149-0056	BB-427-10T	.250	6.35	.170	4.32
19149-0058	BB-481-06T	.250	6.35	.170	4.32
19149-0060	BB-481-08T	.250	6.35	.170	4.32
19149-0062	BB-481-10T	.250	6.35	.170	4.32

Wire Size: 16 – 14 AWG 1.00 – 2.50mm ²					
Terminal No.	Terminal Eng No. (Reference)	Wire Strip Length		Insulation Diameter Maximum	
		In	mm	In	mm
19149-0064	BB-484-06T	.250	6.35	.170	4.32
19149-0066	BB-484-08T	.250	6.35	.170	4.32
19149-0068	BB-484-10T	.250	6.35	.170	4.32
19149-0070	BB-487-04T	.250	6.35	.170	4.32
19149-0072	BB-487-06T	.250	6.35	.170	4.32
19149-0074	BB-487-08T	.250	6.35	.170	4.32
19181-0008	BB-419-06T	.250	6.35	.170	4.32
19181-0010	BB-419-08T	.250	6.35	.170	4.32
19181-0012	BB-419-10T	.250	6.35	.170	4.32
19186-0034	BB-416-04T	.250	6.35	.170	4.32
19186-0036	BB-416-06T	.250	6.35	.170	4.32
19186-0038	BB-416-08T	.250	6.35	.170	4.32
19186-0039	BB-416-10T	.250	6.35	.170	4.32
19186-0044	BB-480-06T	.250	6.35	.170	4.32
19186-0046	BB-480-08T	.250	6.35	.170	4.32
19186-0048	BB-480-10T	.250	6.35	.170	4.32
19186-0050	BB-483-06T	.250	6.35	.170	4.32
19186-0052	BB-483-08T	.250	6.35	.170	4.32
19186-0054	BB-483-10T	.250	6.35	.170	4.32
19186-0056	BB-486-04T	.250	6.35	.170	4.32
19186-0058	BB-486-06T	.250	6.35	.170	4.32
19186-0060	BB-486-08T	.250	6.35	.170	4.32
19203-0065	BB-T-418-38T	.250	6.35	.170	4.32
19203-0066	BB-T-423-06T	.250	6.35	.170	4.32
19203-0067	BB-T-425-14T	.250	6.35	.170	4.32
19203-0068	BB-T-425-56T	.250	6.35	.170	4.32
19203-0071	BB-T-437-06T	.250	6.35	.170	4.32
19203-0073	BB-T-437-08T	.250	6.35	.170	4.32
19203-0075	BB-T-437-10T	.250	6.35	.170	4.32
19203-0087	BB-U-423-06T	.250	6.35	.170	4.32
19203-0088	BB-U-425-14T	.250	6.35	.170	4.32
19203-0089	BB-U-437-06T	.250	6.35	.170	4.32
19203-0090	BB-U-437-10T	.250	6.35	.170	4.32
19203-0231	BB-U-437-08T	.250	6.35	.170	4.32
19210-0020	BB-4193-06T	.250	6.35	.170	4.32
19210-0022	BB-4194-08T	.250	6.35	.170	4.32
19210-0024	BB-4195-10T	.250	6.35	.170	4.32
19210-0026	BB-4707-05T	.250	6.35	.170	4.32
19210-0028	BB-4707-06T	.250	6.35	.170	4.32
19210-0034	BB-4716-08T	.250	6.35	.170	4.32
19210-0036	BB-4717-10T	.250	6.35	.170	4.32

DEFINITION OF TERMS

The following illustrations are a generic terminal representation and not an exact image of any terminal listed in the scope.

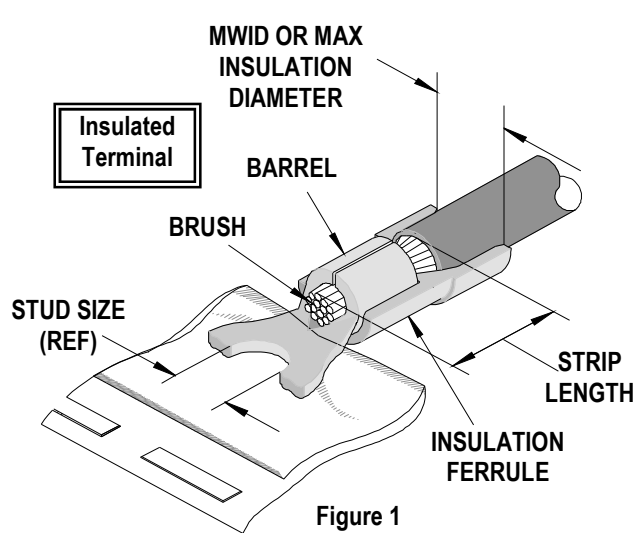


Figure 1

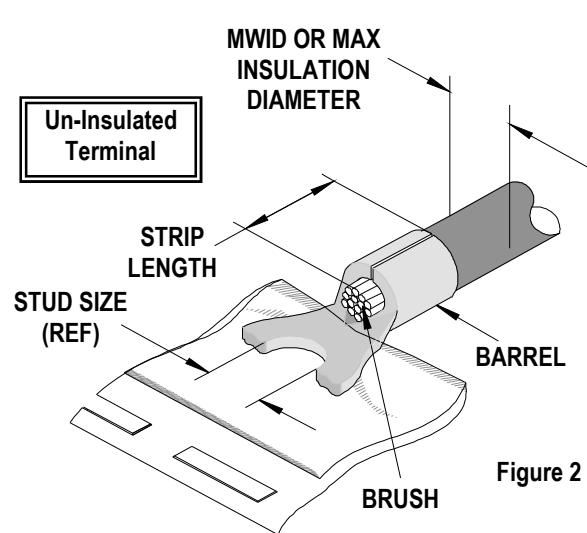


Figure 2

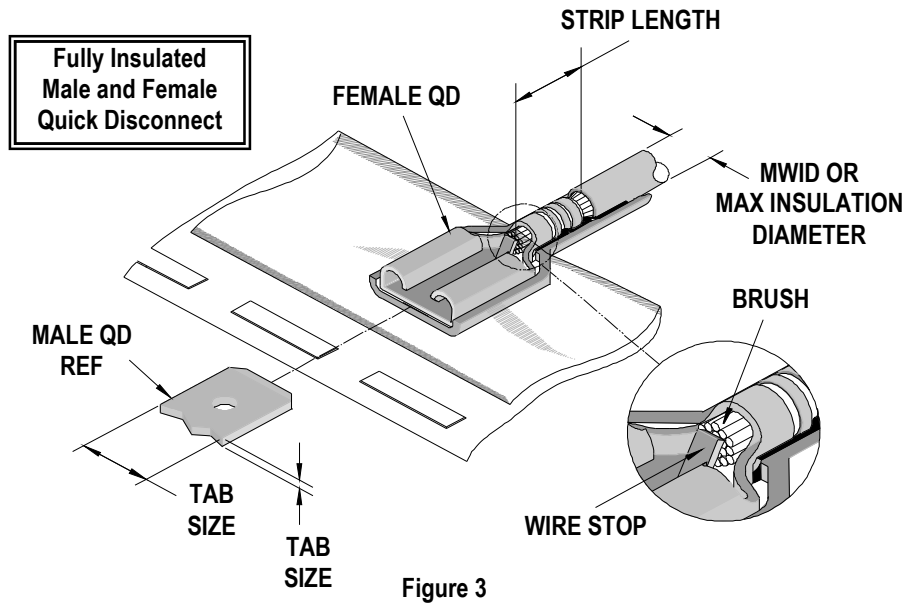
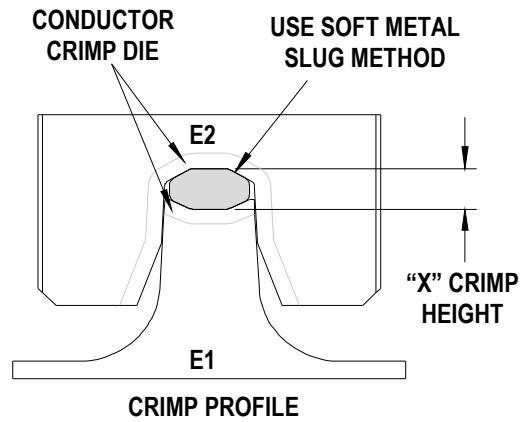


Figure 3

Tool Calibration

To recalibrate this applicator, make sure the power is completely shut off on the press.

1. The Mini-Mac applicator must be properly installed in the press.
2. Crimping dies must be properly installed in the Mini-Mac applicator.
3. The recommended method of measuring the crimp height of the conductor dies is the soft metal slug method, (See Figure 4).
4. The slug must have a diameter 0.51mm (.020") larger than the "X" No Go dimension before crimping.
5. Place the soft metal slug (solder) into the nest of the bottom die and crimp (by hand cycling the press) similar to a terminal. The crimp height can be measured with a blade type micrometer or dial caliper, (Dimension "X").
6. Adjustment of the crimp height can be accomplished by indexing the conductor cam. The letter "A" gives the loosest position and "K" gives the tightest position. A total adjustment of 0.50mm (.020") can be achieved by adjusting the conductor cam.



Use soft metal slug (solder) method to Measure the "X" dimension. Verify tooling crimp height calibration by referring to the Go/No Go dimensions shown in the chart below.

Figure 4

Note: If the crimp height is too tight on the setting "A", check the shut height of the press. See the Industrial Mini-Mac Applicator Manual Section 2.1 for adjustments.

CRIMP SPECIFICATIONS

Wire Size		"X" Dimension Conductor Crimp						Pull Force Minimum		Crimp Inspection Marking
AWG	mm ²	Mean		Go		No Go		Lbs.	N	
		In.	mm	In.	mm	In.	mm			
14	2.00	.094	2.39	.091	2.31	.098	2.49	50.0	222.2	o
16	1.30	.094	2.39	.091	2.31	.098	2.49	30.0	133.3	o

Pull Force should be measured with no influence from the insulation crimp. The above specifications are guidelines to an optimum crimp.

PARTS LIST

Mini-Mac Applicator 63885-4600				
Item	Order No	Engineering No.	Description	Quantity
Perishable Tooling				
	63885-4670	63885-4670	Tool Kit (All "Y" Items)	REF
1	63465-0056	63465-0056	Conductor Punch	1 Y
2	63464-0054	63464-0054	Conductor Anvil	1 Y
3	63463-0037	63463-0037	Insulation Punch	1 Y
4	63462-0040	63462-0040	Insulation Anvil	1 Y
Other Components				
5	63466-0912	63466-0912	Anvil Mount	1
6	63466-0913	63466-0913	Terminal Support	1
7	63443-0021	63443-0021	Lower Tooling Key	1
8	63466-0921	63466-0921	Terminal Stripping Blade	1
9	63600-1290	63600-1290	Washer	1
10	63890-0866	63890-0866	Collar-6.4mm Lg.	1
11	63890-0867	63890-0867	Collar-7.7mm Lg.	1
Frame				
12	63801-3301	63801-3301	Air Feed Applicator Frame Head	REF
13	63801-3281	63801-3281	Base	REF
14	63801-5850	63801-5850	Track Assembly	REF
15	63801-3390	63801-3390	Air Kit	REF
Hardware				
16	N/A	N/A	M3 by 12 Lg SHCS	1**
17	N/A	N/A	M4 by 10 Lg SHCS	2**
18	N/A	N/A	M4 by 20 Lg. SHCS	1**
19	N/A	N/A	M4 by 50 Lg. SHCS	1**
20	N/A	N/A	M8 by 30 Lg. BHCS	1**
21	N/A	N/A	3mm by 6 Lg. Roll Pin	1**
** Available from an industrial supply company such as MSC (1-800-645-7270).				

Note: Crimp profiles used in 63885-4600 are equivalent to 19027-0074 / ATP-BB-420 (UL file number E32244).

Assembly Drawing

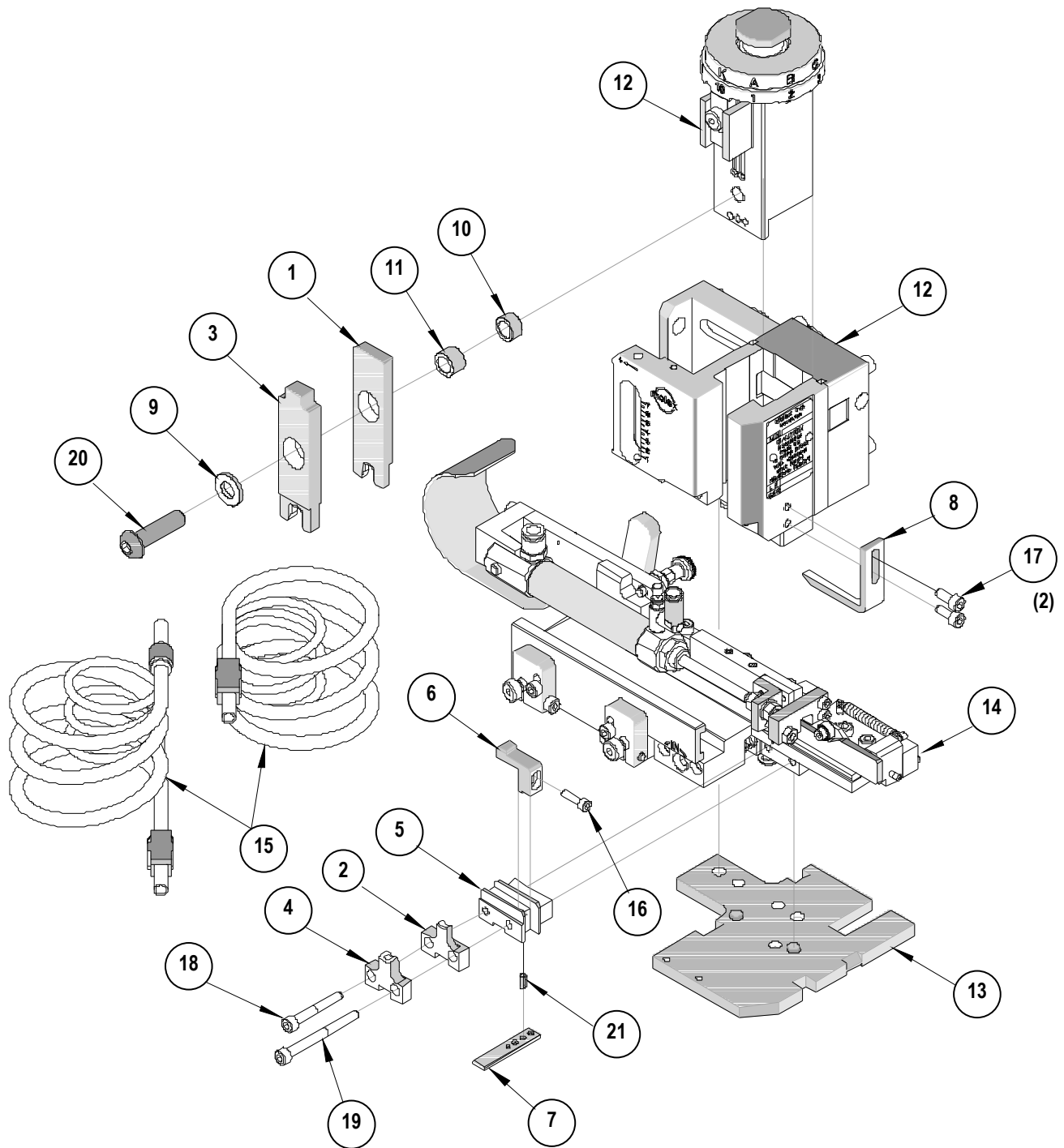


Figure 5

NOTES

1. Molex recommends an extra perishable tooling kit be maintained at your facility.
2. Verify tooling alignment by manually cycling the press with applicator before crimping under power. Check that all screws are tight.
3. Slugs, terminals, dirt, and oil should be kept clear of work area.
4. Wear safety glasses at all times.
5. For recommended maintenance refer to the Mini-Mac Applicator Manual (Document no. 63880-0000).

CAUTION: This applicator should only be used in a press with a shut height of 135.80 mm (5.346"). Tooling damage could result at a lower setting.

CAUTION: To prevent injury, never operate this applicator without the guards supplied with the press or wire-processing machine in place. Reference the press or wire processing manufacturer's instruction manual.

CAUTION: Molex crimp specifications are valid only when used with Molex terminals, applicators and tooling.

Contact Information

For more information on Molex application tooling please contact Molex at 1-800-786-6539.

Visit our Web site at <http://www.molex.com>

Mouser Electronics

Authorized Distributor

Click to View Pricing, Inventory, Delivery & Lifecycle Information:

[Molex:](#)

[63885-4670](#)