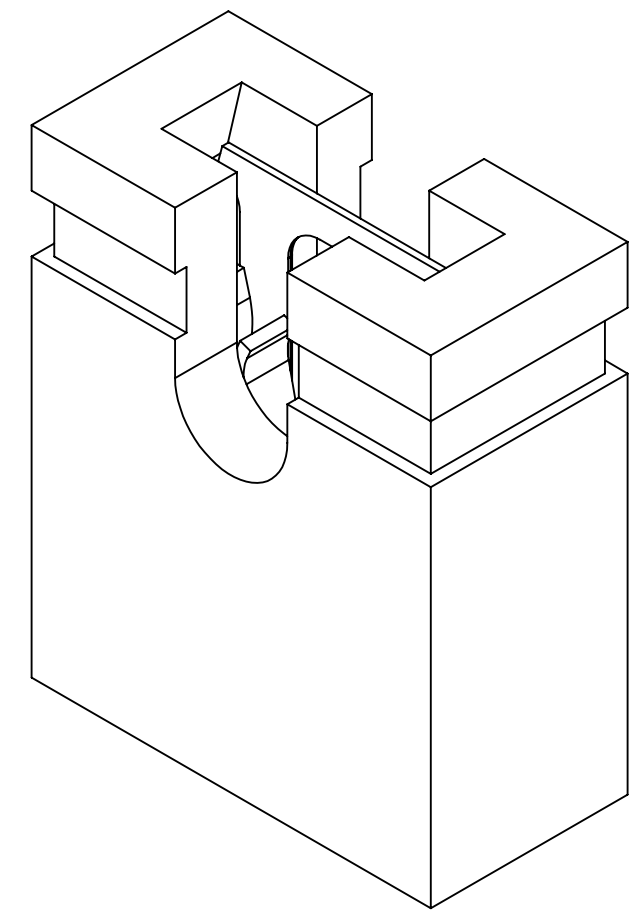
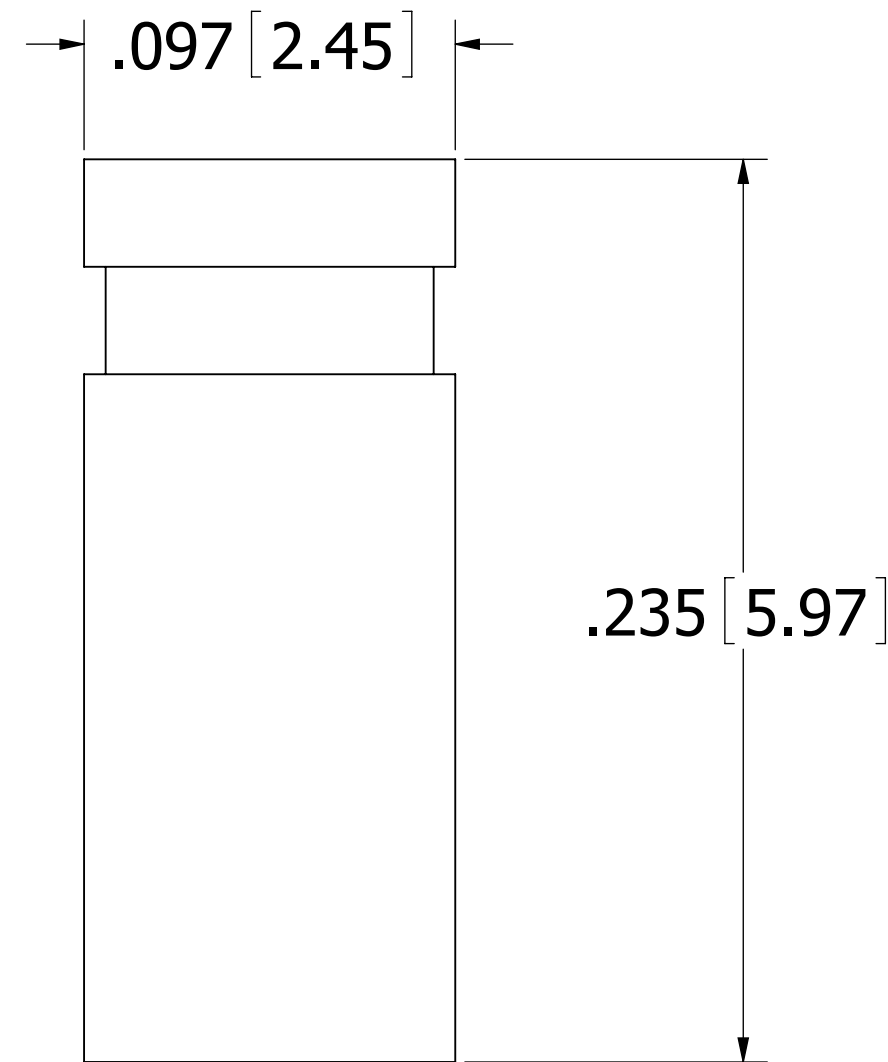
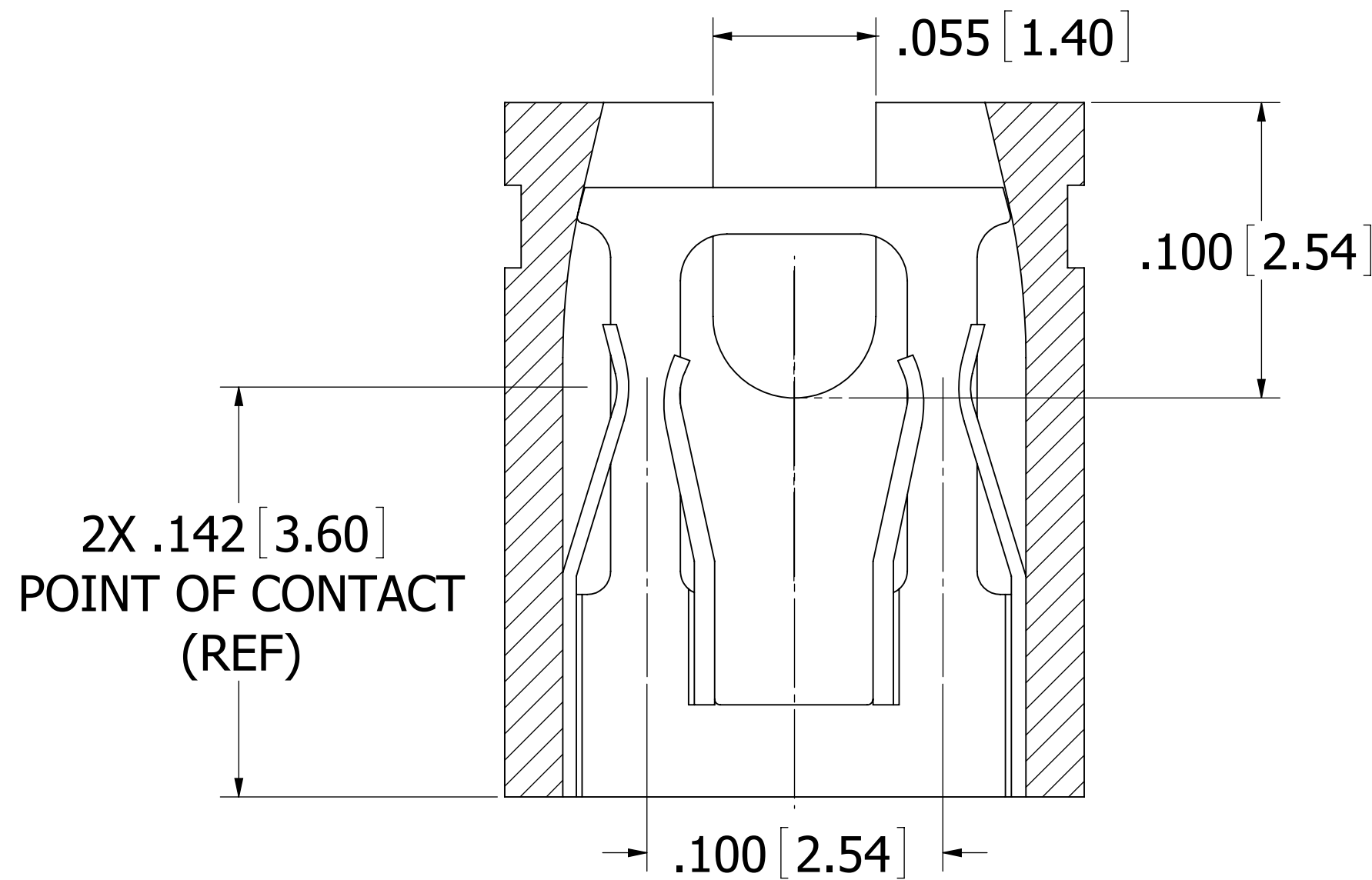


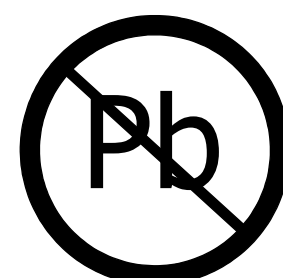
REVISIONS				
REV.	ECO. NO	DESCRIPTION	DATE	BY
A	2146	INITIAL RELEASE	07/16/2010	LH
B	2456	CORRECTED OPEN TOP VIEW TO MATCH PART, UPDATED DWG FORMAT	9/27/2011	JH



SECTION A - A



- NOTES:**
1. INSULATOR MATERIAL: PBT.
 2. CONTACT MATERIAL: BRASS.
 3. PLATING: GOLD FLASH OVERALL.
 4. UL FLAMMABILITY RATING: 94V-0.
 5. DIELECTRIC WITHSTANDING VOLTAGE: 650V AC.
 6. CURRENT RATING: 3 AMPS PER CONTACT.
 7. CONTACT RESISTANCE: 30 MILLI OHMS MAX.
 8. INSULATION RESISTANCE: 1000 MEGA OHMS.
 9. OPERATING TEMPERATURE: -40 ° TO +85 °C
 10. DOUBLE TUNING FORK TYPE CONTACT, ACCOMMODATES .025"[0.64mm] SQ PINS, .100"[2.54mm] PITCH LOW-PROFILE MINI TYPE.



RoHS COMPLIANT

UNLESS OTHERWISE SPECIFIED: DIMENSIONS ARE IN INCHES [MM]		DRAWN	DATE	NAME	
TOLERANCES: ANGULAR: ± 30' .XX=± .012 [.30] .XXX=± .008 [.20] .XXXX=± .004 [.10] INTERPRET DIMENSIONS AND TOLERANCING PER: ASME Y14.5M-2009		7/16/2010	LH		
<small>THE INFORMATION HEREIN CONTAINS PROPRIETARY INFORMATION OF SULLINS ELECTRONICS AND IS NOT TO BE REPRODUCED, USED OR DISCLOSED TO OTHERS FOR ANY PURPOSE EXCEPT AS SPECIFICALLY AUTHORIZED IN WRITING BY AN OFFICER OF SULLINS ELECTRONICS.</small>					TITLE MINI SHUNT, .100" CC, OPEN TOP
					PART NUMBER QPC02SXGN-RC
SIZE	CAGE CODE	DWG. NO.	REV		
C	54453	11510	B		
SCALE: 16:1			SHEET 1 OF 1		