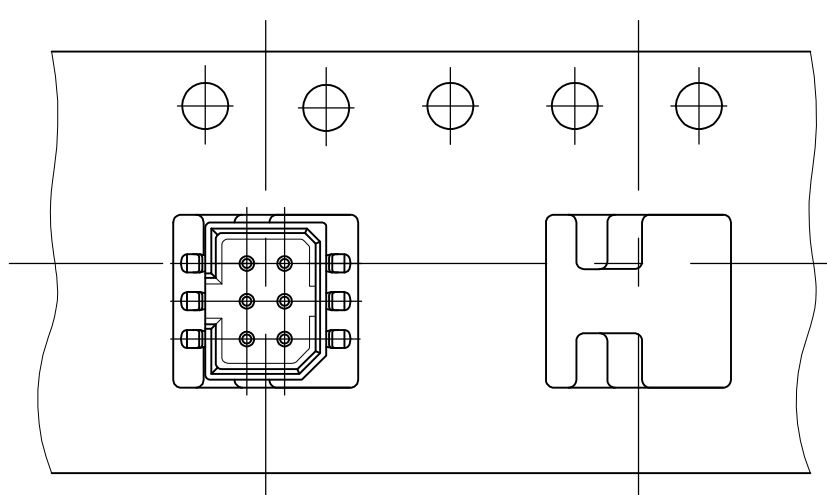
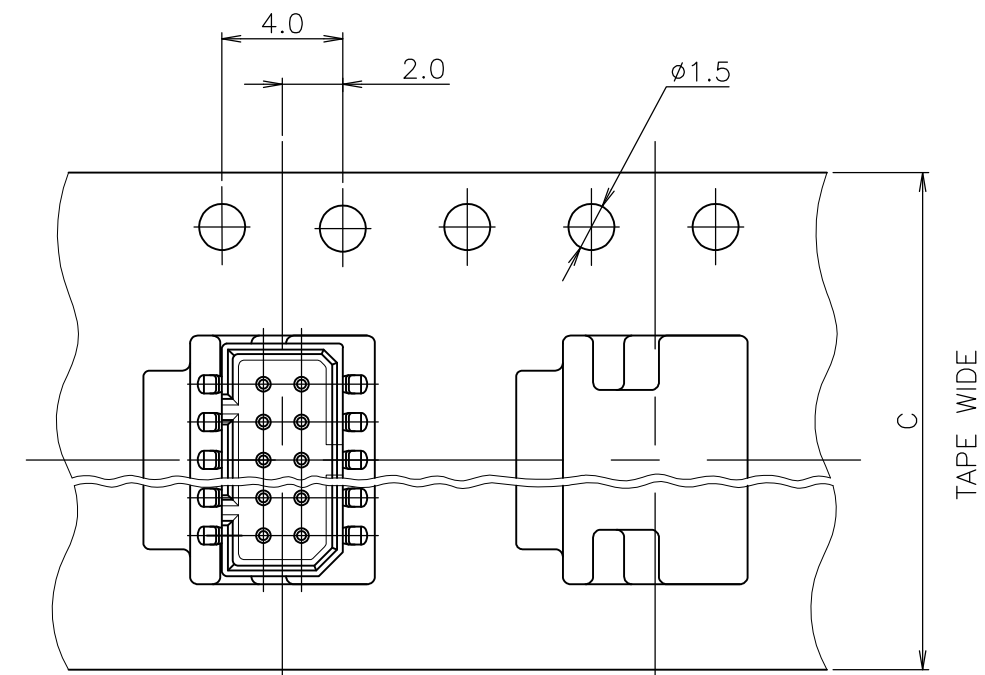
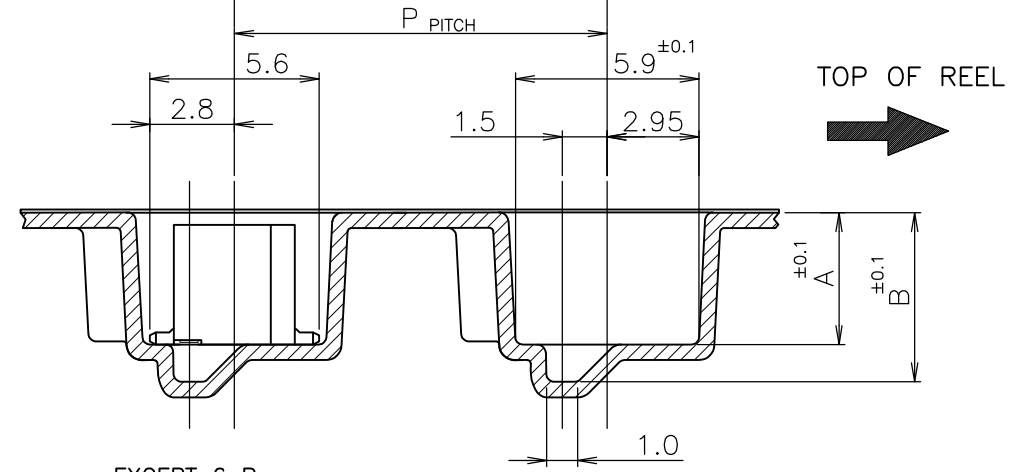


THIS DRAWING IS UNPUBLISHED. RELEASED FOR PUBLICATION
 © COPYRIGHT By - ALL RIGHTS RESERVED.

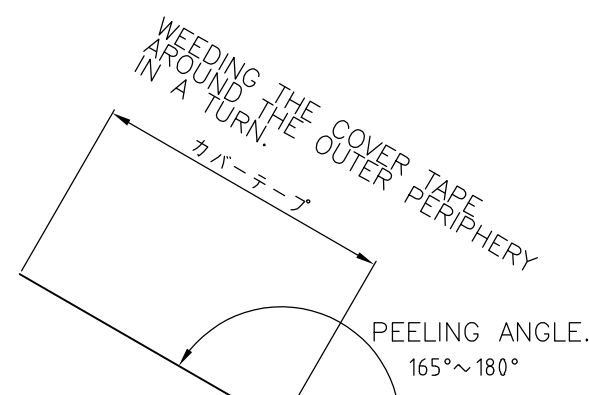
REVISIONS					
P	LTR	DESCRIPTION	DATE	DWN	APVD
J		REVISED PER ECR-16-013052	19SEP2016	WL	SY



鉛フリー
LEAD FREE

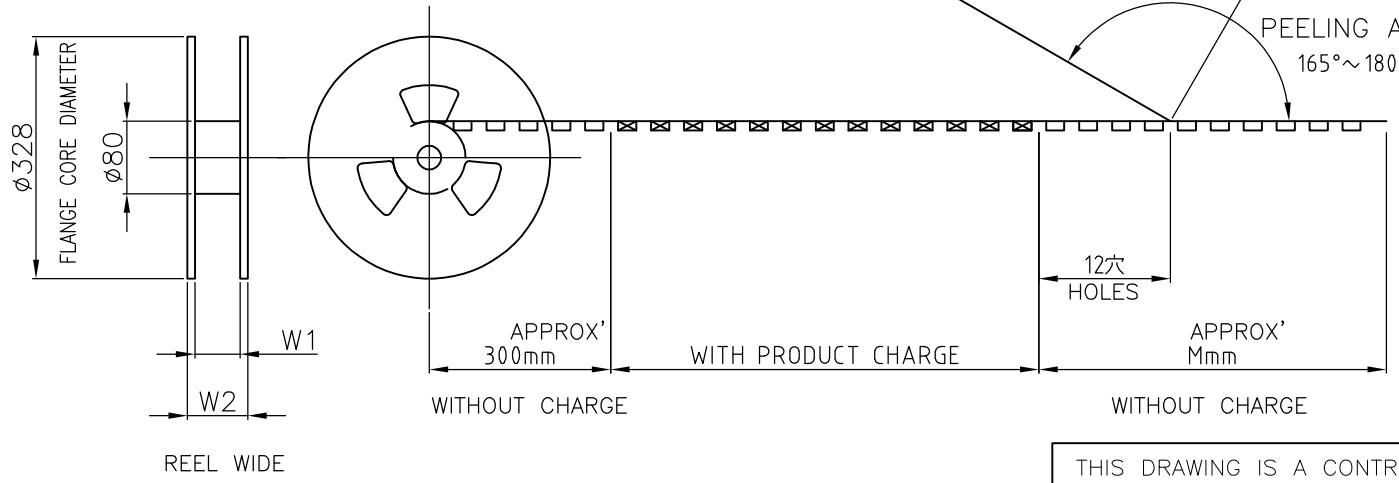


- NOTE
- PACKAGING SEPC:107-5123-5
 - △2 OBSOLETE PARTS: OBSOLETE CIS STREAMLINING PER D.RENAUD/D.SINISI
 - △3 OBSOLETE PARTS.



↑	↑	↑	↑	↑	↑	7.45	6.25	750	16	1-912054-8	7-	↑	-6	△2	7	↑	-6
						↑	↑	↑	24	3-912051-4	5-		-4		5-		-4
									22	912055-3	5-		-2	△2	5		-2
									20	3- ↑ -2	5-		-0		5-		-0
									18	912051-8	4-		-8		4-		-8
29	26			24					16	912055-2	4-		-6	△3	4		-6
↑	↑			↑						↑							
									12		-2		4-	-2	4-		-2
									10	912051-1	4-		-0		4-		-0
21	18			16	5.45	4.25	1000	6	912055-1	3-			-6		3-		-6
↑	↑			↑	↑	↑	↑		20	7-912075-1	2-		-0	△2	2		-0
29	26	300	12	24	6.95	5.75	750	16	912055-4	1-174645-6							1-176891-6
W ₂	W ₁	M	P	C	B	A	数量 (ヶ) / QTY/REEL	極数 Pos.	エンボステープ 型番 EMBOSS TAPE P/N	コネクタ型番 (パッケージ) CONNECTOR P/N					リール番 コネクタ型番 TAPING P/N		

EXCEPT 6 Pos.



THIS DRAWING IS A CONTROLLED DOCUMENT.

DWN	E.CHIN	02NOV98
CHK	J.TANIGAWA	02NOV98
APVD	S.KUBOUCHI	02NOV98
PRODUCT SPEC	108-5246	
APPLICATION SPEC		
WEIGHT	0	
CUSTOMER DRAWING		

ON TAPING 1.25 F-P CONNECTOR
DOUBLE ROW POST HDR ASSY SMT TYPE
WITHOUT BOSS

SIZE	CAGE CODE	DRAWING NO	RESTRICTED TO
A3	00779	C-176891	-

SCALE SHEET 1 OF 2 REV J

THIS DRAWING IS UNPUBLISHED.

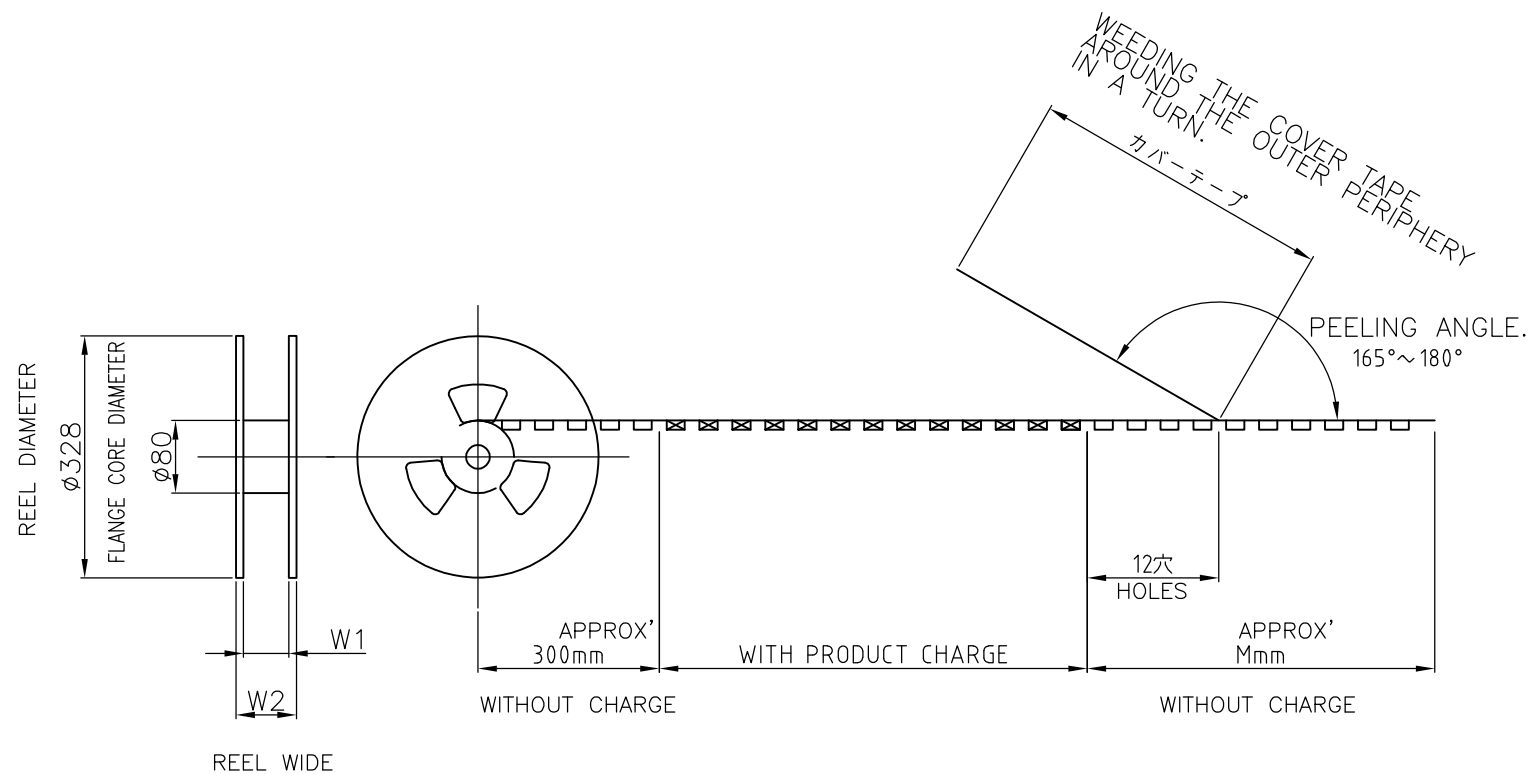
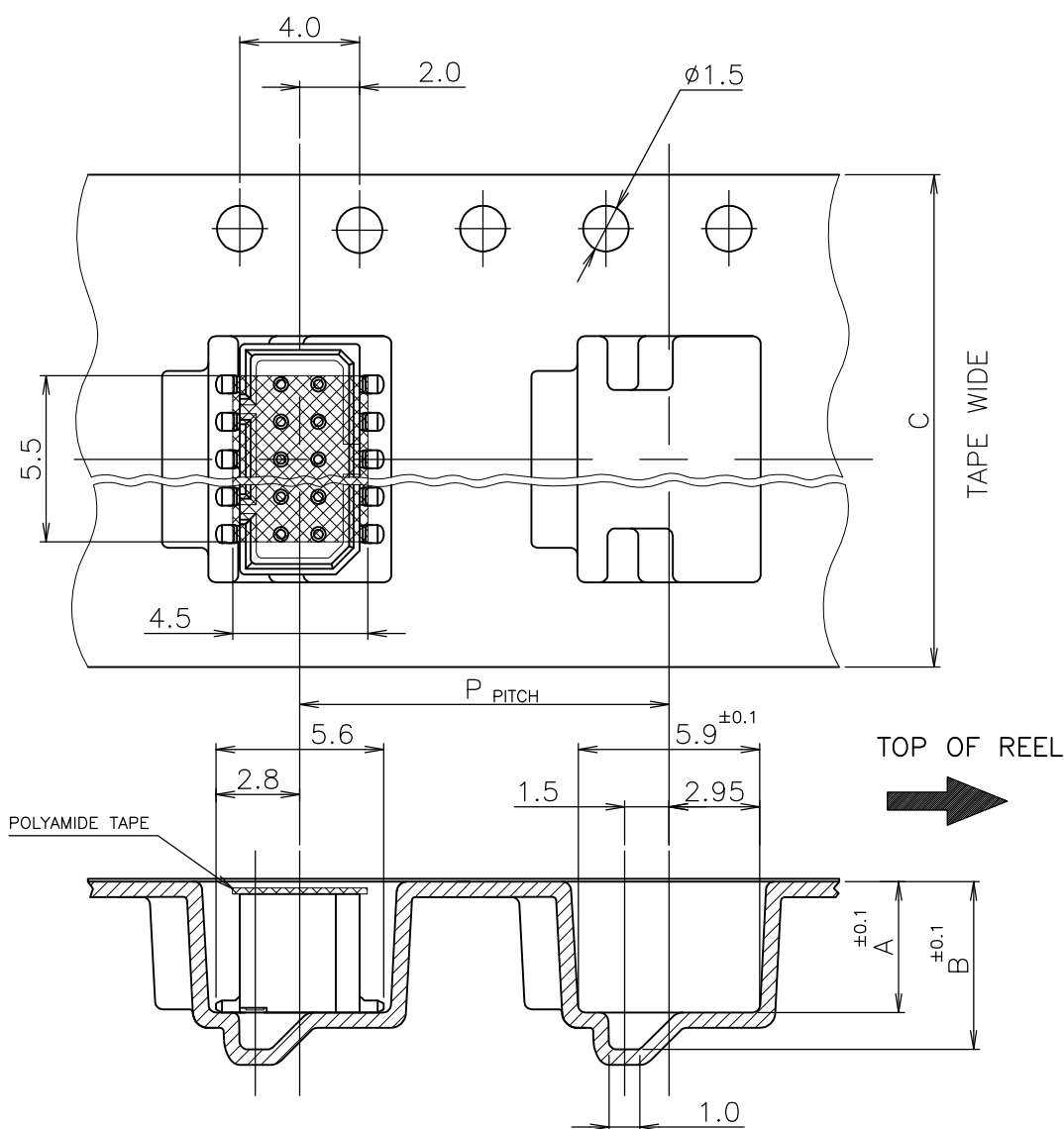
RELEASED FOR PUBLICATION

REVISIONS

© COPYRIGHT By -

ALL RIGHTS RESERVED.

P	LTR	DESCRIPTION	DATE	DWN	APVD
-	-	SEE SHEET 1	-	-	-



WITH POLYAMIDE TAPE

29	26	↑	↑	24	↑	↑	↑	16	912055-2	4-174645-6	9-176891-6
21	18	↑	↑	16	↑	↑	↑	12	912051-2	4-174645-2	9-176891-2
21	18	300	12	16	5.45	4.25	1000	14	912051-4	4-174645-4	4-176891-4
W ₂	W ₁	M	P	C	B	A	数量 (件) QTY/REEL	極数 Pos.	エンボステープ 型番 EMBOSS TAPE P/N	コネクタ型番 (バラ裸) CONNECTOR P/N	リール番 コネクタ型番 TAPING P/N

THIS DRAWING IS A CONTROLLED DOCUMENT.		DWN E.CHIN 02NOV98	TE Connectivity ON TAPING 1.25 F-P CONNECTOR DOUBLE ROW POST HDR ASSY SMT TYPE WITHOUT BOSS					
DIMENSIONS: mm		CHK J.TANIGAWA 02NOV98				NAME		
TOLERANCES UNLESS OTHERWISE SPECIFIED:		APVD S.KUBOUCHI 02NOV98				PRODUCT SPEC		
0 PLC ± 1 PLC ± 2 PLC ± 3 PLC ± 4 PLC ± ANGLES ±		APPLICATION SPEC						
MATERIAL		FINISH	WEIGHT 0	SIZE A3	CAGE CODE 00779	DRAWING NO C-176891	RESTRICTED TO -	
CUSTOMER DRAWING			SCALE	SHEET 2 OF 2	REV J			

Mouser Electronics

Authorized Distributor

Click to View Pricing, Inventory, Delivery & Lifecycle Information:

[TE Connectivity:](#)

[4-176891-8](#)