

THIS DRAWING IS UNPUBLISHED.

RELEASED FOR PUBLICATION

20

© COPYRIGHT 20 BY -

ALL RIGHTS RESERVED.

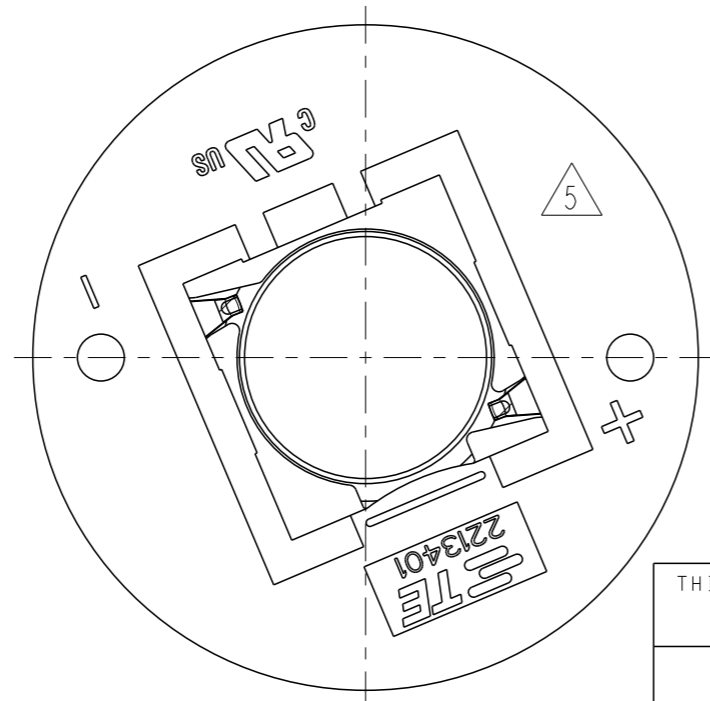
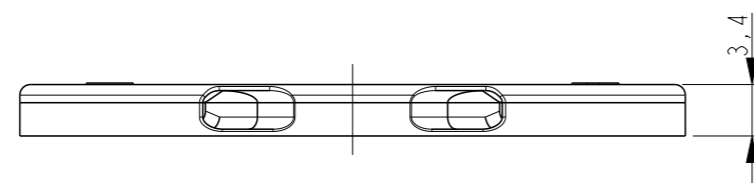
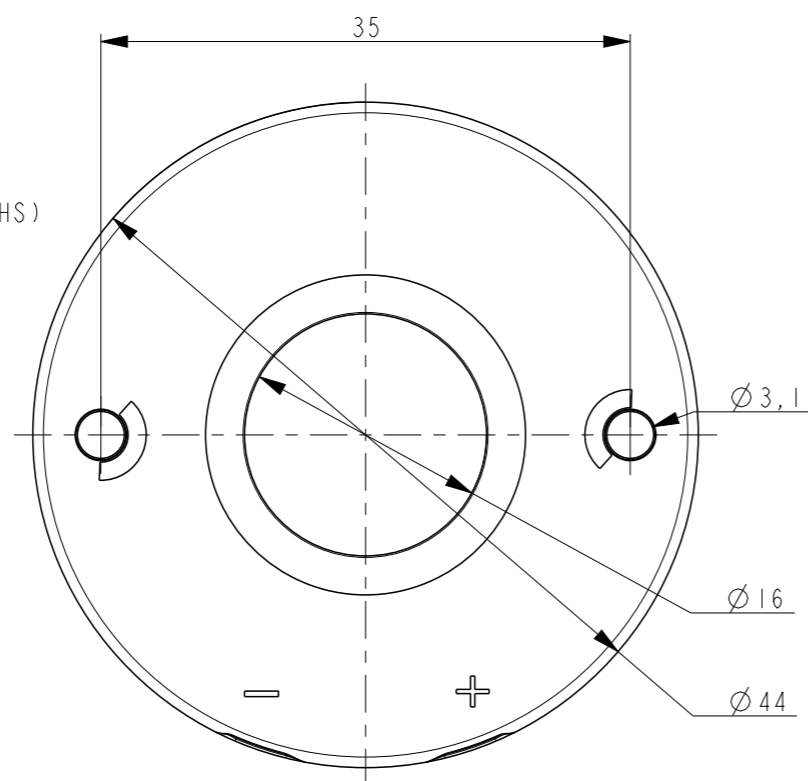
REVISIONS

| P | LTR | DESCRIPTION | DATE | DWN | APVD |
|---|-----|---------------------------|-----------|-----|------|
| | B | ECR-16-014667 | 17OCT2016 | RK | MvE |
| | B1 | ECR-16-017027 | 01DEC2016 | RK | MvE |
| | B2 | ECR-17-002648 | 24FEB2017 | RK | MvE |
| | C | REVISED PER ECR-17-005513 | 13APR2017 | SK | MvE |

NOTES:

- MATERIALS:
HOUSING: GLASS FILLED PBT
HALOGEN FREE FLAME RETARDANT,
COLOR : NATURAL/WHITE
CONTACTS: SILVER PLATED COPPER ALLOY
- FOR SOLID AND STRANDED WIRE AWG 22-18
- COMPLIES WITH DIRECTIVE 2002/95/EC (ROHS)
- M3 SCREW TO BE USED FOR MOUNTING

5 DATE CODE YY-WW-D ANY WHERE EXCEPT OVER LOGO OR +/- SIGN.



M3 SCREW HOLES

WIRE ENTRANCE

SCALE 3:2

LED CLAMPING FEATURE

LED PRESSURE CONTACTS

2213401-1 AS SHOWN
LUMAWISE LED HOLDER Z50 LOW PROFILE

| LUMAWISE LED HOLDER Z50 STANDARD PROFILE 1818 | 2213401-2 |
|---|-----------|
| LUMAWISE LED HOLDER Z50 LOW PROFILE 1818 | 2213401-1 |
| DESCRIPTION | PART NO |

THIS DRAWING IS A CONTROLLED DOCUMENT.

| DIMENSIONS: | TOLERANCES UNLESS OTHERWISE SPECIFIED: |
|-------------|--|
| mm | |
| | 0 PLC ±· |
| | 1 PLC ±· |
| | 2 PLC ±· |
| | 3 PLC ±· |
| | 4 PLC ±· |
| | ANGLES ±2° |
| MATERIAL | FINISH |
| - | - |
| - | - |

| | |
|------------------|------------|
| DWN | 28OCT2013 |
| YASHKUMAR | |
| CHK | 28OCT2013 |
| M.V.ESSSEN | |
| APVD | 29OCT2013 |
| O.I.FIJNSE | |
| PRODUCT SPEC | 108-133008 |
| APPLICATION SPEC | 114-32048 |
| WEIGHT | - |
| CUSTOMER DRAWING | |

STE TE Connectivity

NAME: LUMAWISE LED HOLDER Z50 1818

| | | | |
|------|-----------|------------|---------------|
| SIZE | CAGE CODE | DRAWING NO | RESTRICTED TO |
| A3 | - | C-2213401 | - |

SCALE 2:1 SHEET 1 OF 3 REV C

THIS DRAWING IS UNPUBLISHED.

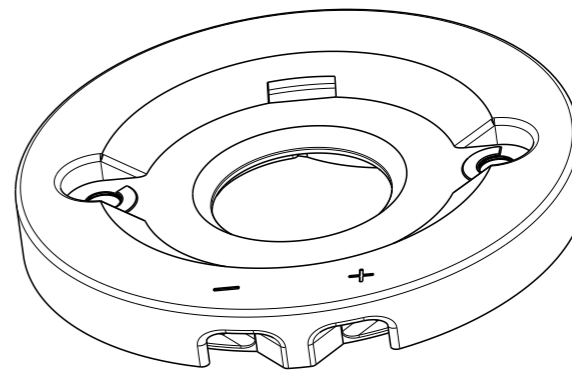
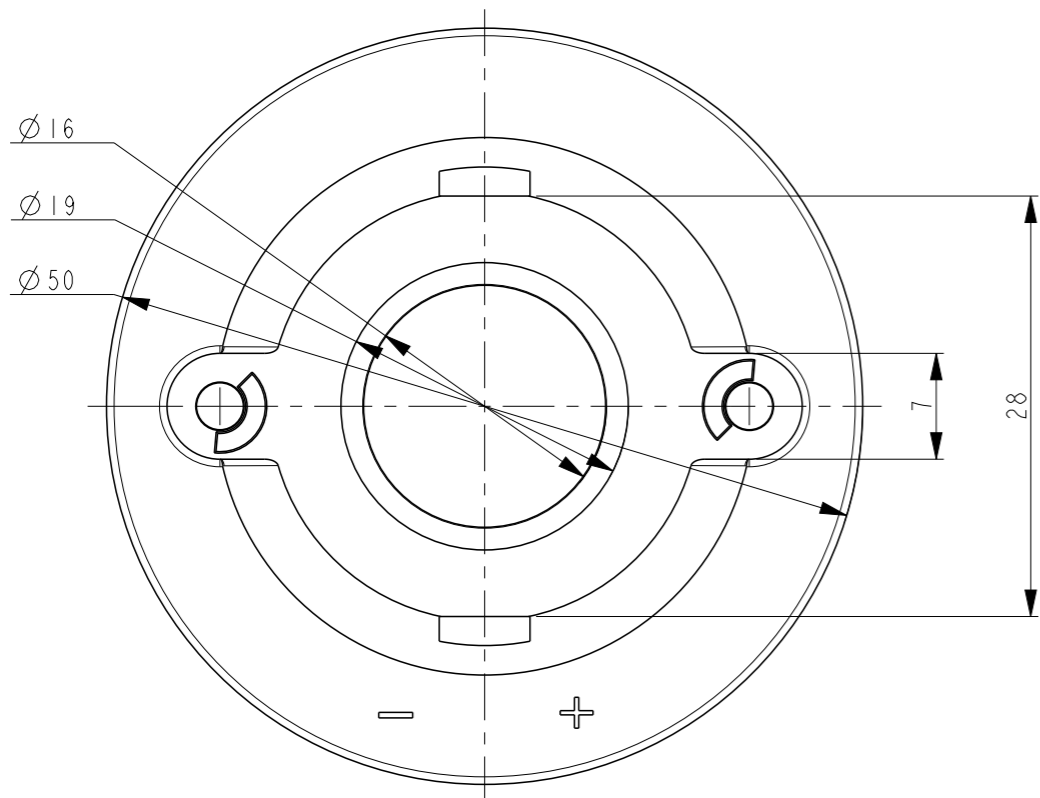
RELEASED FOR PUBLICATION

20

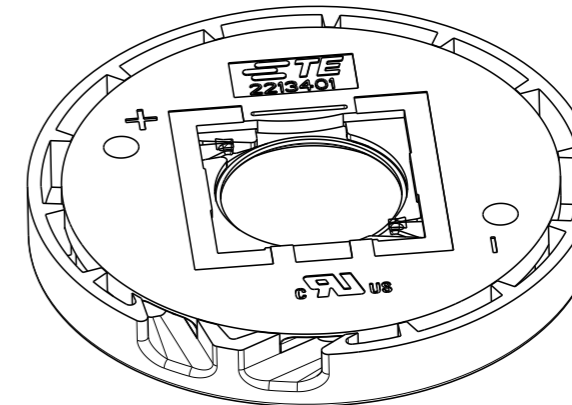
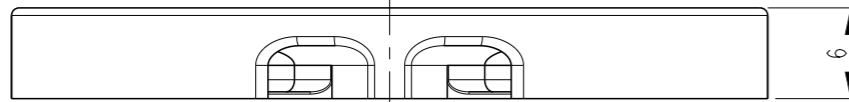
© COPYRIGHT 20 BY - ALL RIGHTS RESERVED.

REVISIONS

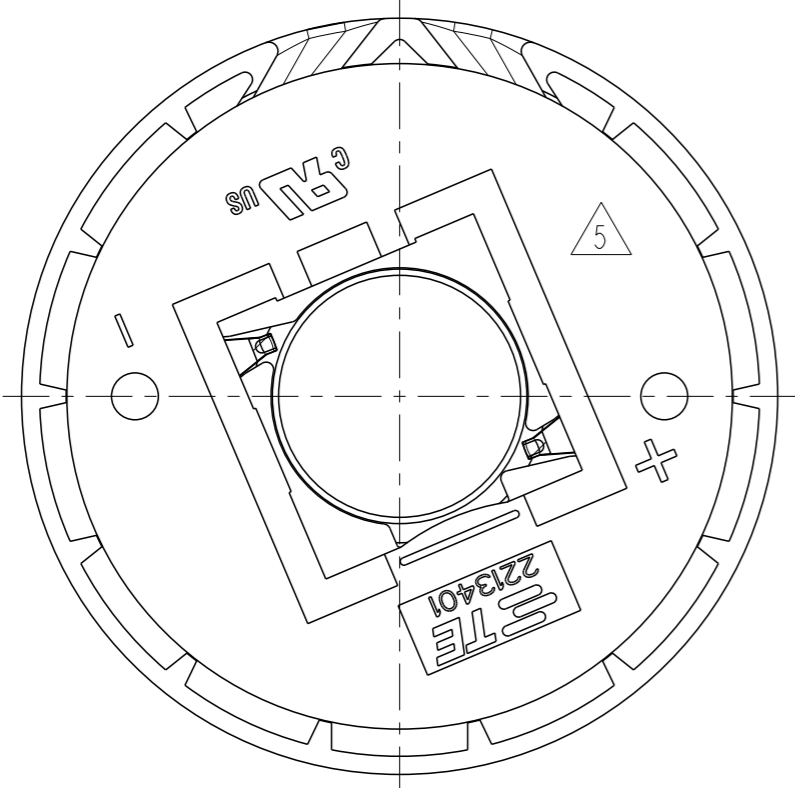
| P | LTR | DESCRIPTION | DATE | DWN | APVD |
|---|-----|-------------|------|-----|------|
| - | - | SEE SHEET 1 | - | - | - |
| | | | | | |
| | | | | | |



SCALE 3:2



2213401-2 AS SHOWN
LUMAWISE LED HOLDER Z50 STANDARD PROFILE



THIS DRAWING IS A CONTROLLED DOCUMENT.

| | |
|-------------------|--|
| DIMENSIONS: mm | TOLERANCES UNLESS OTHERWISE SPECIFIED: |
| | 0 PLC ±· |
| | 1 PLC ±· |
| | 2 PLC ±· |
| | 3 PLC ±· |
| | 4 PLC ±· |
| | ANGLES ±2° |
| MATERIAL | FINISH |
| - | - |
| - | - |

| | |
|------------------|------------|
| DWN | 28OCT2013 |
| YASHKUMAR | |
| CHK | 28OCT2013 |
| M.V.ESSEN | |
| APVD | 29OCT2013 |
| O.I.FIJNSE | |
| PRODUCT SPEC | 108-133008 |
| APPLICATION SPEC | 114-32048 |
| WEIGHT | - |
| CUSTOMER DRAWING | |

| | | | |
|-----------|-----------|--------------------------------------|---------------|
| | | TE Connectivity | |
| | | NAME LUMAWISE LED HOLDER Z50 1818 | |
| SIZE | CAGE CODE | DRAWING NO | RESTRICTED TO |
| A3 | - | C-2213401 | - |
| SCALE 2:1 | | SHEET 2 OF 3 | REV C |

THIS DRAWING IS UNPUBLISHED.

RELEASED FOR PUBLICATION

20

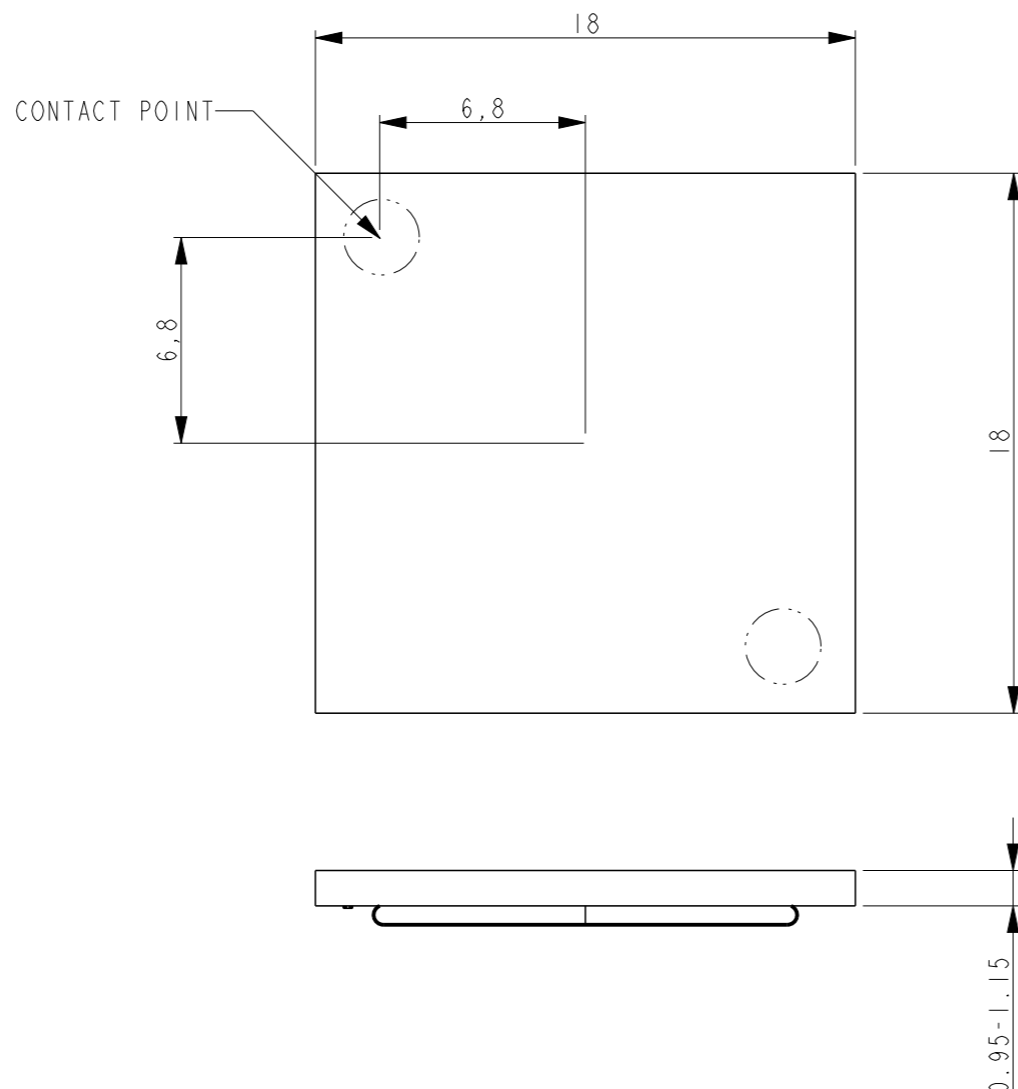
© COPYRIGHT 20 BY -

ALL RIGHTS RESERVED.

REVISIONS

| P | LTR | DESCRIPTION | DATE | DWN | APVD |
|---|-----|-------------|------|-----|------|
| | - | SEE SHEET 1 | - | - | - |
| | | | | | |
| | | | | | |

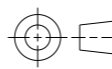
THE SKETCH BELOW IS SHOWING THE NOMINAL LED COB DIMENSIONS TO MATCH WITH THE Z50 LED HOLDER 1818 FOR TECHNICAL DETAILS ABOUT A PROPER MATCH WITH A SPECIFIC LED COB ARRAY PLEASE CONTACT A REPRESENTATIVE AT TE-CONNECTIVITY



| FOLLOWING LED TYPES ARE RELEASED FOR THIS HOLDER | DATA SHEET | REVISION |
|--|------------|----------|
| BridgeLux H12 | DS 100 | |
| Cree CXA 1812 | CLD-DS 74 | |
| Cree CXA 1820 | CLD-DS 78 | |
| Cree CXB 1830 | CLD-DS121 | Rev 1B |

THIS DRAWING IS A CONTROLLED DOCUMENT.

DIMENSIONS: mm



TOLERANCES UNLESS OTHERWISE SPECIFIED:

| | |
|--------|-----|
| 0 PLC | ±. |
| 1 PLC | ±. |
| 2 PLC | ±. |
| 3 PLC | ±. |
| 4 PLC | ±. |
| ANGLES | ±2° |

MATERIAL -

FINISH -

DWN 28OCT2013

YASHKUMAR

CHK 28OCT2013

M.V.ESSEN

APVD 29OCT2013

O.I.FIJNSE

PRODUCT SPEC

108-133008

APPLICATION SPEC

114-32048

WEIGHT -

STE TE Connectivity

NAME LUMAWISE LED HOLDER Z50 1818

| SIZE | CAGE CODE | DRAWING NO | RESTRICTED TO |
|------|-----------|------------|---------------|
| A3 | - | ©-2213401 | - |

CUSTOMER DRAWING

SCALE 2:1 SHEET 3 OF 3 REV C

Mouser Electronics

Authorized Distributor

Click to View Pricing, Inventory, Delivery & Lifecycle Information:

[TE Connectivity:](#)

[2213401-2](#)