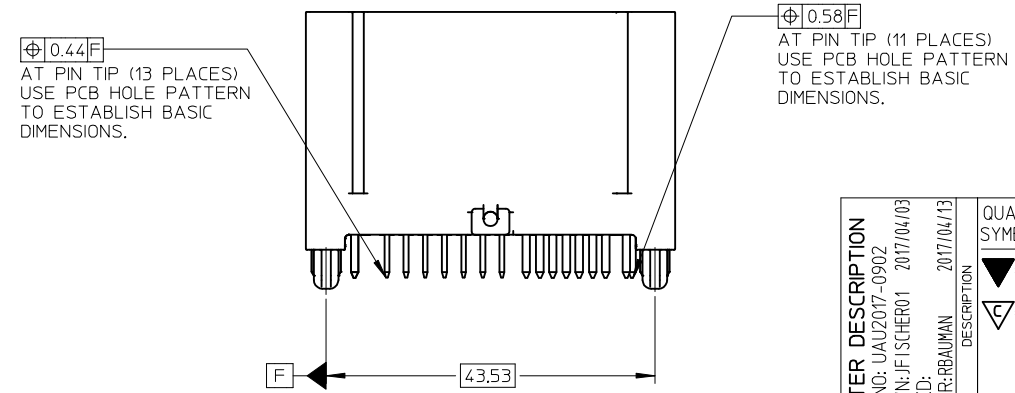


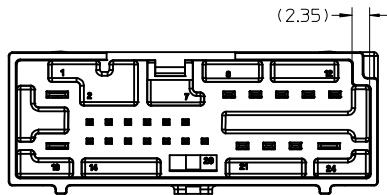
NOTES:

- MATERIAL: HOUSING: SPS, GLASS FILLED, COLOR: SEE CHART. TERMINAL: COPPER ALLOY C26000. PIN ALIGNMENT PLATE: MYLAR, COLOR: NATURAL (WHITE).
- FINISHES: TERMINAL: TIN (Sn) OVERALL; NICKEL (Ni) UNDERPLATE OVERALL.
- PACKAGING SPECIFICATION : TRAY: PK-30907-261, TUBE: PK-30907-226
- MATES WITH: SERIES 30700, SEE SALES DRAWING SD-30700-124.
- DATECODE DESCRIPTION:
  - 1ST DIGIT: MACHINE ID# (ALWAYS WILL BE '2')
  - 2ND THROUGH 4TH DIGIT: DAY# OF THE CALENDAR YEAR (EXAMPLE: FEB. 3RD = '034')
  - 5TH DIGIT: LAST DIGIT OF THE CALENDAR YEAR (EXAMPLE: 1999 = '9')
  - 6TH THROUGH 7TH DIGIT: HOUR OF THE DAY.
- RECOMMENDED OPTIONAL SCREW: M2 x 0.89, 6mm IN LENGTH, PAN COLLAR HEAD, 6 LOBE. TORQUE: 7 NEWTON CENTIMETERS

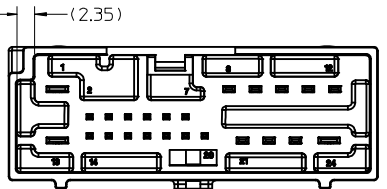


ENTER DESCRIPTION EC NO: UAU2017-0902 DRWN: JFSCHER01 2017/04/03 CHKD: CHPKD: 2017/04/13 APPR: RBAUMAN	QUALITY SYMBOLS ▽=0 ▽=0	GENERAL TOLERANCES (UNLESS SPECIFIED)		DIMENSION STYLE MM ONLY		SCALE 2:1	DESIGN UNITS METRIC	THIRD ANGLE PROJECTION	
		mm	INCH	DRAWN BY RCARLSON	DATE 01/04/04	TITLE 24 CIRCUIT VERTICAL HEADER ASSEMBLY SALES DRAWING	MATERIAL NO. 9999999999		SHEET NO. 1 OF 2
DRAFT WHERE APPLICABLE MUST REMAIN WITHIN DIMENSIONS		ANGULAR $\pm 1^\circ$		CHECKED BY CKRISHNA DATE 01/04/24		APPROVED BY LGEIB DATE 01/04/24		MOLEX INCORPORATED DOCUMENT NO. SD-30700-424	
THIS DRAWING CONTAINS INFORMATION THAT IS PROPRIETARY TO MOLEX INCORPORATED AND SHOULD NOT BE USED WITHOUT WRITTEN PERMISSION									

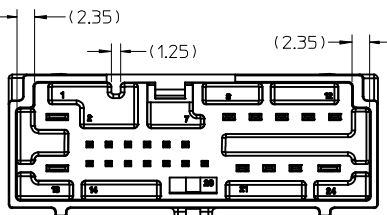
PACKAGING		POLARIZATION OPTIONS & COLOR	
ASSEMBLY P/N TRAY PACKED	ASSEMBLY P/N TUBE PACKED	VERTICAL HEADER ASSEMBLY (POLARIZATION OPTIONS)	HOUSING COLOR
30700-4240	30700-4244	POLARIZATION OPTION 'A'	GRAY
30700-4241	30700-4245	POLARIZATION OPTION 'B'	BLACK
30700-4242	30700-4246	POLARIZATION OPTION 'C'	NATURAL



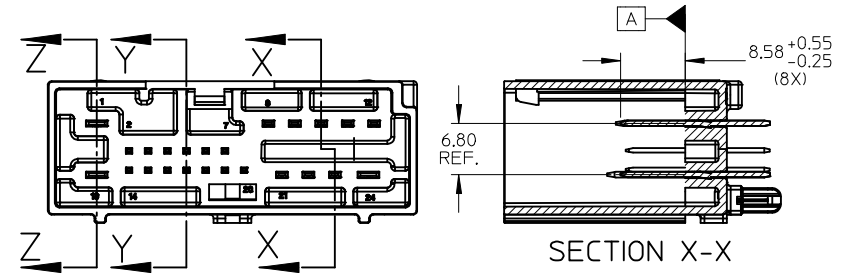
30700-4240  
POLARIZATION 'A'



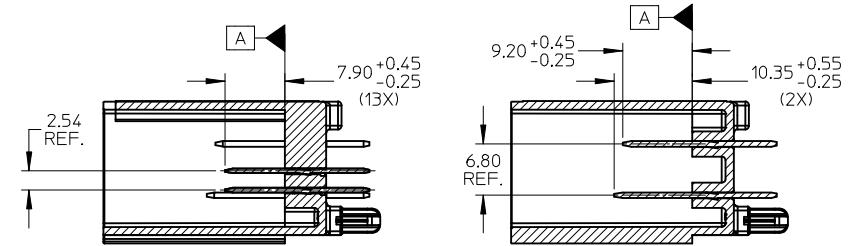
30700-4241  
POLARIZATION 'B'



30700-4242  
POLARIZATION 'C'

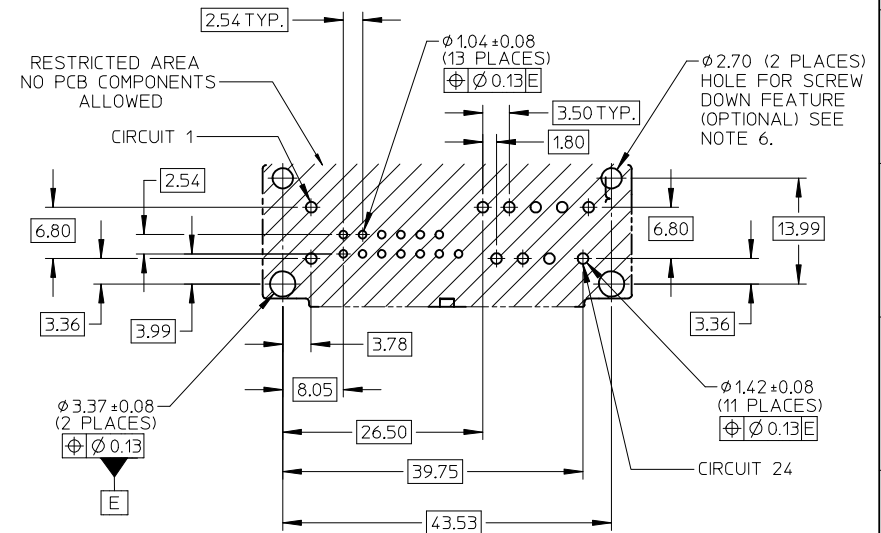


SECTION X-X



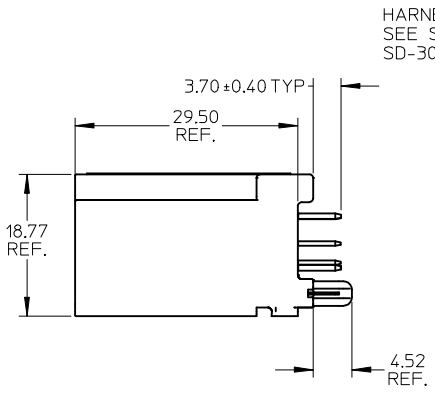
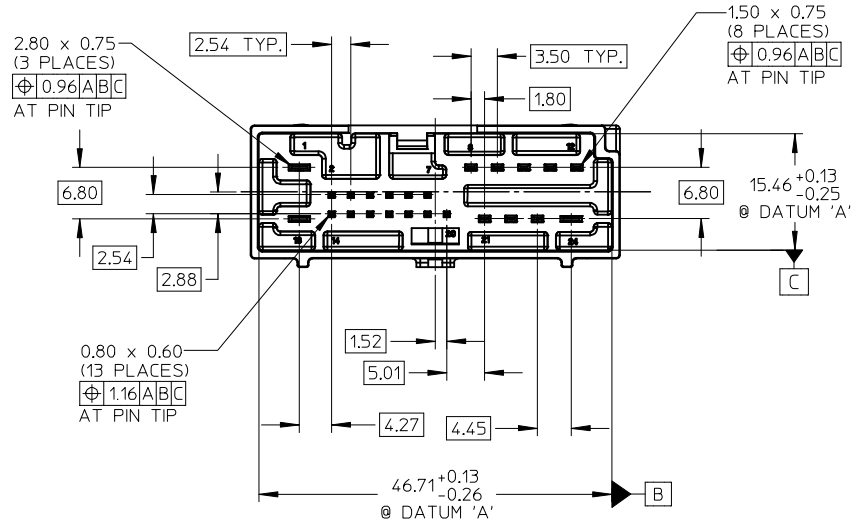
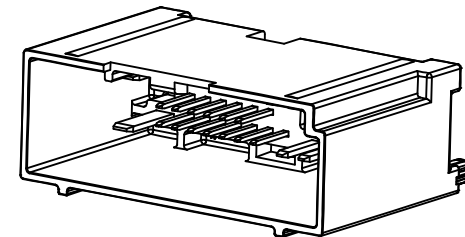
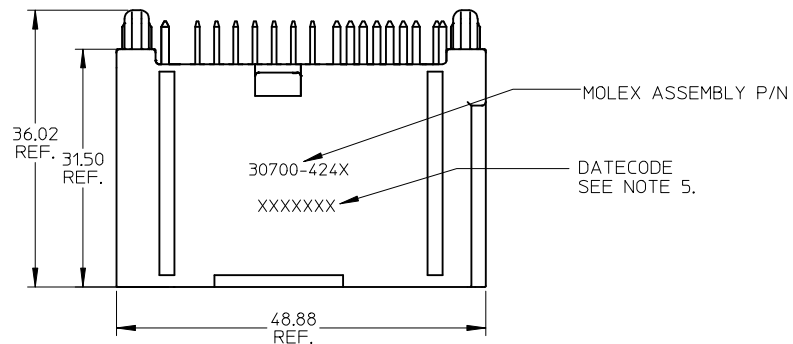
SECTION Y-Y

SECTION Z-Z

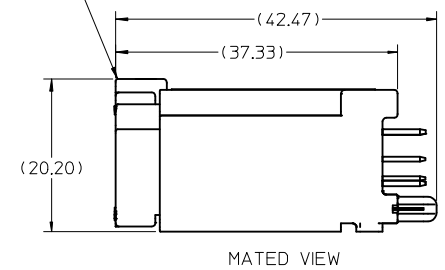


PCB LAYOUT: COMPONENT SIDE  
RECOMMENDED PCB THICKNESS: 1.57±0.17

<b>FIX PIN LENGTH TOL</b> EC NO: UAU2017-0902 DRWN: F. SCHER01 2017/04/03 CHKD: APPR: RBAUMAN 2017/04/13 REV: F3	QUALITY SYMBOLS ▽=0 ▽=0	<b>GENERAL TOLERANCES (UNLESS SPECIFIED)</b> <table border="1"> <thead> <tr> <th></th> <th>mm</th> <th>INCH</th> </tr> </thead> <tbody> <tr> <td>4 PLACES</td> <td>± 0.25</td> <td>± 0.010</td> </tr> <tr> <td>3 PLACES</td> <td>± 0.25</td> <td>± 0.010</td> </tr> <tr> <td>2 PLACES</td> <td>± 0.13</td> <td>± 0.005</td> </tr> <tr> <td>1 PLACE</td> <td>± 0.25</td> <td>± 0.010</td> </tr> </tbody> </table>		mm	INCH	4 PLACES	± 0.25	± 0.010	3 PLACES	± 0.25	± 0.010	2 PLACES	± 0.13	± 0.005	1 PLACE	± 0.25	± 0.010	<b>DIMENSION STYLE</b> <b>MM ONLY</b> DRAWN BY: R. CARLSON DATE: 01/04/04 CHECKED BY: CKRISHNA DATE: 01/04/24 APPROVED BY: LGEIB DATE: 01/04/24	SCALE: 2:1 DESIGN UNITS: METRIC THIRD ANGLE PROJECTION
		mm	INCH																
	4 PLACES	± 0.25	± 0.010																
	3 PLACES	± 0.25	± 0.010																
2 PLACES	± 0.13	± 0.005																	
1 PLACE	± 0.25	± 0.010																	
DRAFT WHERE APPLICABLE MUST REMAIN WITHIN DIMENSIONS		MATERIAL NO.: 9999999999 SIZE: C	<b>24 CIRCUIT VERTICAL HEADER ASSEMBLY SALES DRAWING</b> <b>MOLEX INCORPORATED</b> DOCUMENT NO.: SD-30700-424 SHEET NO.: 2 OF 2																
THIS DRAWING CONTAINS INFORMATION THAT IS PROPRIETARY TO MOLEX INCORPORATED AND SHOULD NOT BE USED WITHOUT WRITTEN PERMISSION																			

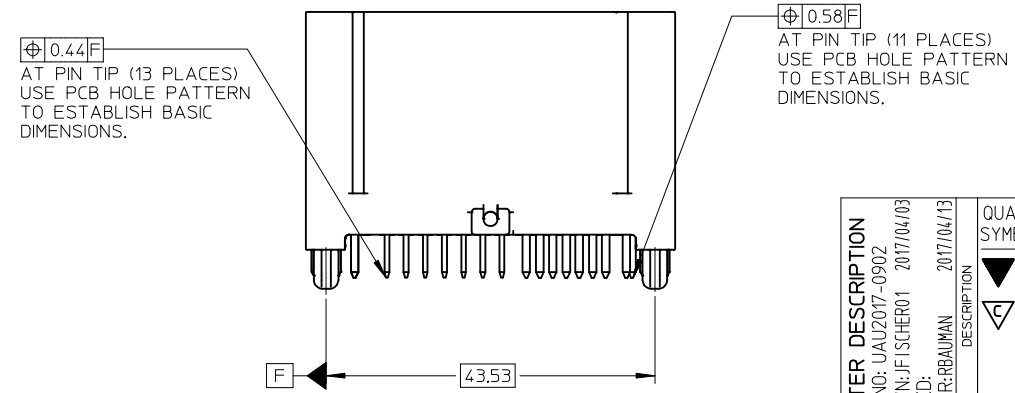


HARNESS ASSEMBLY  
SEE SALES DRAWING  
SD-30700-124.



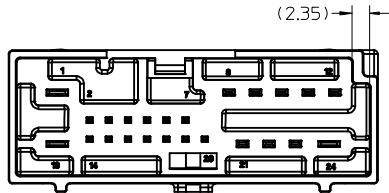
NOTES:

- MATERIAL: HOUSING: SPS, GLASS FILLED, COLOR: SEE CHART. TERMINAL: COPPER ALLOY C26000. PIN ALIGNMENT PLATE: MYLAR, COLOR: NATURAL (WHITE).
- FINISHES: TERMINAL: TIN (Sn) OVERALL; NICKEL (Ni) UNDERPLATE OVERALL.
- PACKAGING SPECIFICATION : TRAY: PK-30907-261, TUBE: PK-30907-226
- MATES WITH: SERIES 30700, SEE SALES DRAWING SD-30700-124.
- DATECODE DESCRIPTION:
  - 1ST DIGIT: MACHINE ID# (ALWAYS WILL BE '2')
  - 2ND THROUGH 4TH DIGIT: DAY# OF THE CALENDAR YEAR (EXAMPLE: FEB. 3RD = '034')
  - 5TH DIGIT: LAST DIGIT OF THE CALENDAR YEAR (EXAMPLE: 1999 = '9')
  - 6TH THROUGH 7TH DIGIT: HOUR OF THE DAY.
- RECOMMENDED OPTIONAL SCREW: M2 x 0.89, 6mm IN LENGTH, PAN COLLAR HEAD, 6 LOBE. TORQUE: 7 NEWTON CENTIMETERS

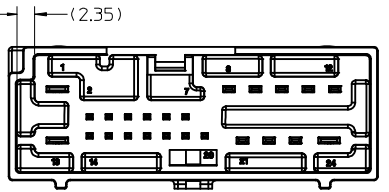


<b>ENTER DESCRIPTION</b> EC NO: UAU2017-0902 DRWN: JFSCHER01 2017/04/03 CHKD: CHPKD: 2017/04/13 APPR: RBAUMAN DESCRIPTION	QUALITY SYMBOLS $\nabla=0$ $\nabla=0$	GENERAL TOLERANCES (UNLESS SPECIFIED) <table border="1"> <tr> <th></th> <th>mm</th> <th>INCH</th> </tr> <tr> <td>4 PLACES</td> <td>± 0.25</td> <td>± 0.010</td> </tr> <tr> <td>3 PLACES</td> <td>± 0.25</td> <td>± 0.010</td> </tr> <tr> <td>2 PLACES</td> <td>± 0.13</td> <td>± 0.005</td> </tr> <tr> <td>1 PLACE</td> <td>± 0.25</td> <td>± 0.010</td> </tr> </table>		mm	INCH	4 PLACES	± 0.25	± 0.010	3 PLACES	± 0.25	± 0.010	2 PLACES	± 0.13	± 0.005	1 PLACE	± 0.25	± 0.010	DIMENSION STYLE <b>MM ONLY</b> DRAWN BY: RCARLSON DATE: 01/04/04 CHECKED BY: CKRISHNA DATE: 01/04/24 APPROVED BY: LGEIB DATE: 01/04/24	SCALE <b>2:1</b> DESIGN UNITS <b>METRIC</b> THIRD ANGLE PROJECTION	<b>24 CIRCUIT VERTICAL HEADER ASSEMBLY SALES DRAWING</b>  <b>MOLEX INCORPORATED</b> MATERIAL NO. 9999999999 DOCUMENT NO. SD-30700-424 SHEET NO. 1 OF 2
		mm	INCH																	
	4 PLACES	± 0.25	± 0.010																	
	3 PLACES	± 0.25	± 0.010																	
2 PLACES	± 0.13	± 0.005																		
1 PLACE	± 0.25	± 0.010																		
DRAFT WHERE APPLICABLE MUST REMAIN WITHIN DIMENSIONS	SIZE <b>C</b>	THIS DRAWING CONTAINS INFORMATION THAT IS PROPRIETARY TO MOLEX INCORPORATED AND SHOULD NOT BE USED WITHOUT WRITTEN PERMISSION																		

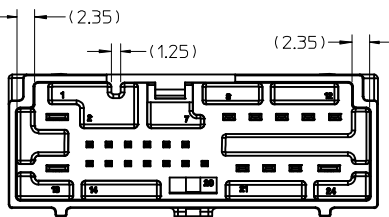
PACKAGING		POLARIZATION OPTIONS & COLOR	
ASSEMBLY P/N TRAY PACKED	ASSEMBLY P/N TUBE PACKED	VERTICAL HEADER ASSEMBLY (POLARIZATION OPTIONS)	HOUSING COLOR
30700-4240	30700-4244	POLARIZATION OPTION 'A'	GRAY
30700-4241	30700-4245	POLARIZATION OPTION 'B'	BLACK
30700-4242	30700-4246	POLARIZATION OPTION 'C'	NATURAL



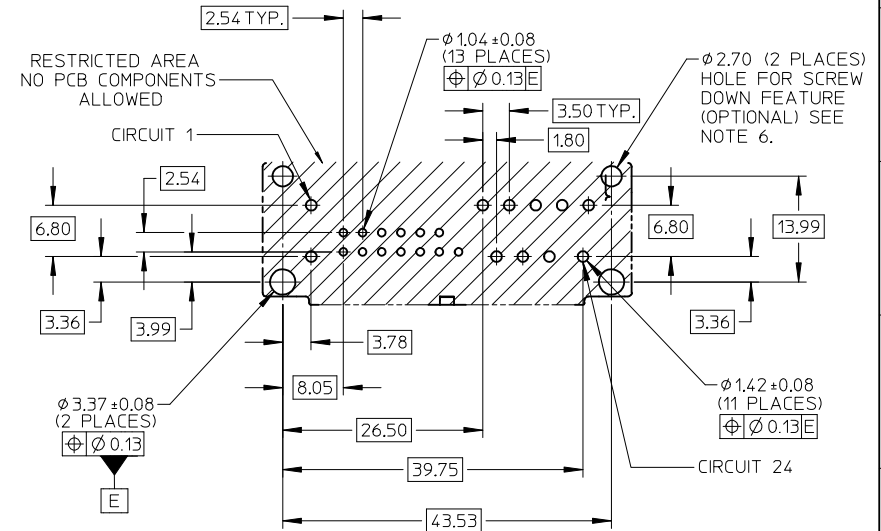
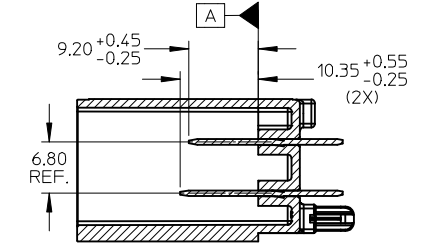
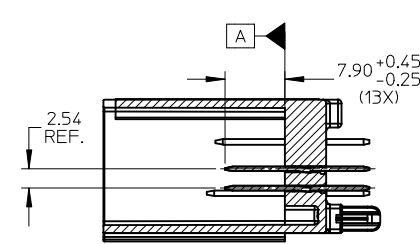
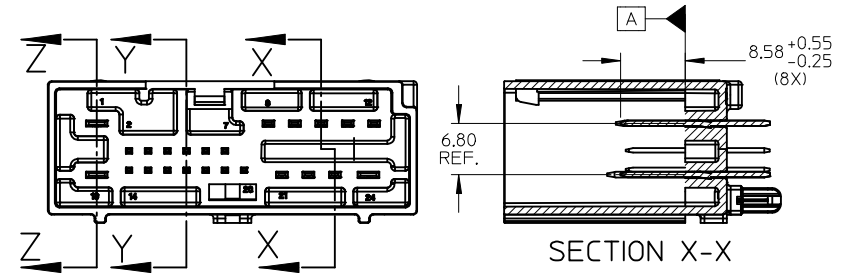
30700-4240  
POLARIZATION 'A'



30700-4241  
POLARIZATION 'B'



30700-4242  
POLARIZATION 'C'



PCB LAYOUT: COMPONENT SIDE  
RECOMMENDED PCB THICKNESS: 1.57±0.17

<b>FIX PIN LENGTH TOL</b> EC NO: UAU2017-0902 DRWN: F. SCHER01 2017/04/03 CHKD: APPR: RBAUMAN 2017/04/13	QUALITY SYMBOLS ▽=0 ▽=0	<b>GENERAL TOLERANCES (UNLESS SPECIFIED)</b> <table border="1"> <thead> <tr> <th></th> <th>mm</th> <th>INCH</th> </tr> </thead> <tbody> <tr> <td>4 PLACES</td> <td>± ---</td> <td>± ---</td> </tr> <tr> <td>3 PLACES</td> <td>± ---</td> <td>± ---</td> </tr> <tr> <td>2 PLACES</td> <td>± 0.13</td> <td>± ---</td> </tr> <tr> <td>1 PLACE</td> <td>± 0.25</td> <td>± ---</td> </tr> </tbody> </table>		mm	INCH	4 PLACES	± ---	± ---	3 PLACES	± ---	± ---	2 PLACES	± 0.13	± ---	1 PLACE	± 0.25	± ---	<b>DIMENSION STYLE</b> <b>MM ONLY</b> DRAWN BY: RCARLSON DATE: 01/04/04 CHECKED BY: CKRISHNA DATE: 01/04/24 APPROVED BY: LGEIB DATE: 01/04/24	SCALE: 2:1 DESIGN UNITS: METRIC THIRD ANGLE PROJECTION
		mm	INCH																
	4 PLACES	± ---	± ---																
	3 PLACES	± ---	± ---																
2 PLACES	± 0.13	± ---																	
1 PLACE	± 0.25	± ---																	
DRAFT WHERE APPLICABLE MUST REMAIN WITHIN DIMENSIONS	MATERIAL NO.: 9999999999 SIZE: C	DOCUMENT NO.: SD-30700-424 MOLEX INCORPORATED	SHEET NO.: 2 OF 2																
<b>24 CIRCUIT VERTICAL HEADER ASSEMBLY SALES DRAWING</b>																			
THIS DRAWING CONTAINS INFORMATION THAT IS PROPRIETARY TO MOLEX INCORPORATED AND SHOULD NOT BE USED WITHOUT WRITTEN PERMISSION																			