

4

3

2

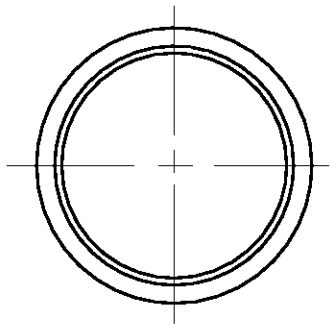
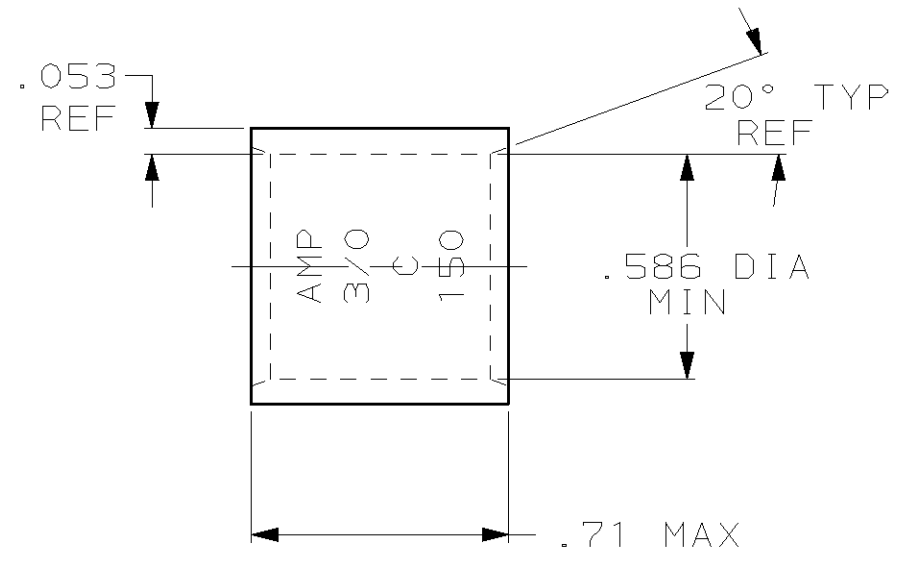
1

THIS DRAWING IS UNPUBLISHED. RELEASED FOR PUBLICATION, 19 .

© COPYRIGHT 19 BY AMP INCORPORATED. ALL RIGHTS RESERVED.

LOC	DIST	REVISIONS					
		P	LTR	DESCRIPTION	DATE	DWN	APVD
G	86						
		D		REV PER 0G3A-0637-01	030CT02	JR	MS

- ① TIN PLATE 0.00381 [0.000150] MIN THK PER MIL-T-10727
- ② CLEANED



OBSOLETE	②	1-324445-0
	①	324445
FINISH		AMP PART NUMBER

THIS DRAWING IS A CONTROLLED DOCUMENT FOR AMP INCORPORATED. IT IS SUBJECT TO CHANGE AND THE CONTROLLING ENGINEERING ORGANIZATION SHOULD BE CONTACTED FOR THE LATEST REVISION.		DWN DK SCHRUM 01JUL96	AMP AMP Incorporated Harrisburg, PA 17105-3608												
DIMENSIONS: mm [INCHES]		CHK WJ VOCKROTH 02JUL96													
TOLERANCES UNLESS OTHERWISE SPECIFIED:		APVD JL MECKLEY 02JUL96	NAME WIRE SPLICE, PARALLEL, AMPPOWER, WIRE SIZE: 3/0 AWG												
<table border="0"> <tr><td>0 PLC</td><td>±-</td></tr> <tr><td>1 PLC</td><td>±-</td></tr> <tr><td>2 PLC</td><td>±-</td></tr> <tr><td>3 PLC</td><td>±-</td></tr> <tr><td>4 PLC</td><td>±-</td></tr> <tr><td>ANGLES</td><td>±-</td></tr> </table>		0 PLC	±-	1 PLC	±-	2 PLC	±-	3 PLC	±-	4 PLC	±-	ANGLES	±-	PRODUCT SPEC -	SIZE A3
0 PLC	±-														
1 PLC	±-														
2 PLC	±-														
3 PLC	±-														
4 PLC	±-														
ANGLES	±-														
MATERIAL COPPER PER ASTM B-75 ANNEALED	FINISH SEE TABLE	APPLICATION SPEC -	CAGE CODE 00779												
		WEIGHT .024 lbs	DRAWING NO C-324445												
		CUSTOMER DRAWING	SCALE 2:1 SHEET 1 OF 1 REV D												

Mouser Electronics

Authorized Distributor

Click to View Pricing, Inventory, Delivery & Lifecycle Information:

[TE Connectivity:](#)

[324445](#)