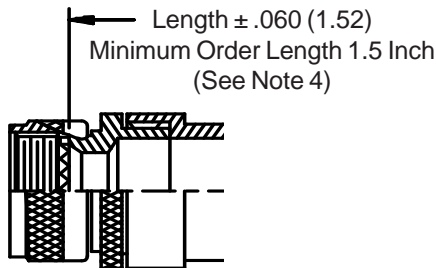
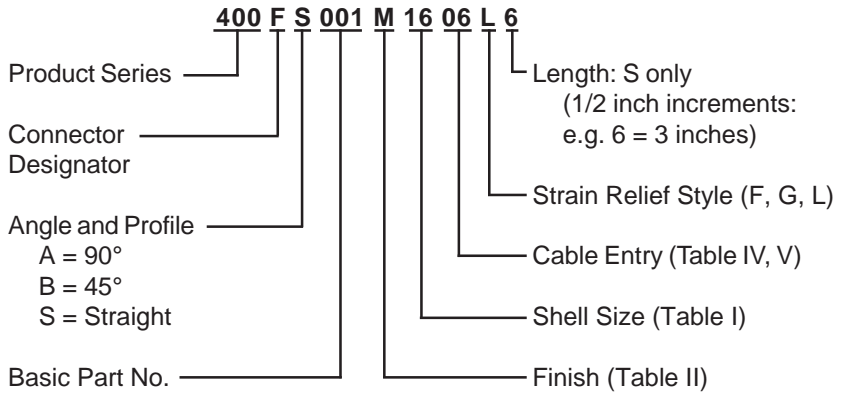
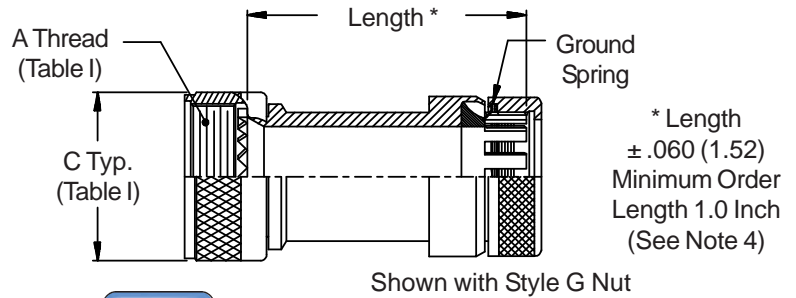


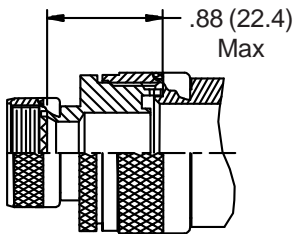
**CONNECTOR
 DESIGNATORS**
A-F-H-L-S
**ROTATABLE
 COUPLING**



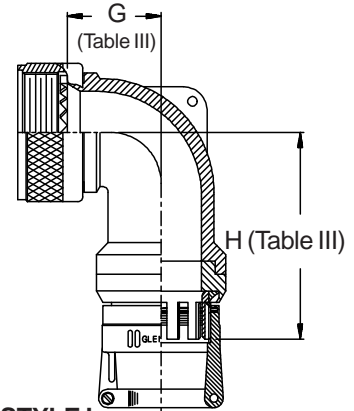
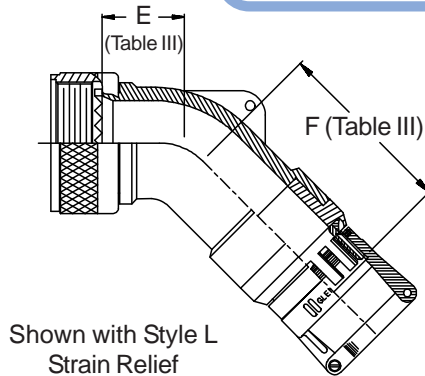
STYLE 2
 (STRAIGHT)
 See Note 1)



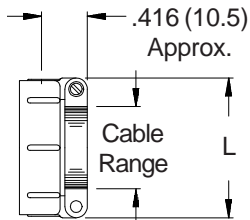
-445 Add "-445" to Specify Glenair's Non-Detent, ("NESTOR") Spring-Loaded, Self-Locking Coupling. See Page 41 for Details.



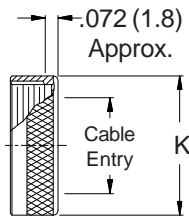
STYLE 2
 (45° & 90°)
 See Note 1)



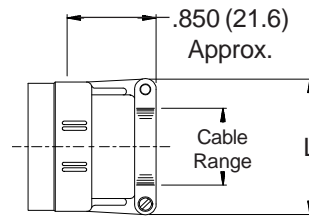
STYLE F
 Light Duty
 (Table V)



STYLE G
 Light Duty
 (Table IV)



STYLE L
 Light Duty
 (Table V)



400-001
TAG® Ring Backshell
with Strain Relief
Rotatable Coupling - Low Profile



See inside back cover
fold-out or pages 13 and
14 for Tables I and II.

TABLE III: ELBOW DIMENSIONS									
Shell Size		E		F		G		H	
Conn. Desig.	H	Max		Max		Max		Max	
A-F-L-S									
08	09	.457	(11.6)	1.660	(42.2)	.500	(12.7)	1.670	(42.4)
10	11	.520	(13.2)	1.720	(43.7)	.595	(15.1)	1.790	(45.5)
12	13	.582	(14.8)	1.780	(45.2)	.610	(15.5)	1.810	(46.0)
14	15	.645	(16.4)	1.870	(47.5)	.700	(17.8)	1.880	(47.8)
16	17	.738	(18.7)	1.980	(50.3)	.885	(22.5)	1.970	(50.0)
18	19	.926	(23.5)	2.170	(55.1)	.975	(24.8)	2.140	(54.4)
20	21	.926	(23.5)	2.170	(55.1)	.975	(24.8)	2.140	(54.4)
22	23	1.020	(25.9)	2.320	(58.9)	1.125	(28.6)	2.250	(57.2)
24	25	1.020	(25.9)	2.320	(58.9)	1.125	(28.6)	2.250	(57.2)
28		1.145	(29.1)	2.370	(60.2)	1.225	(31.1)	2.420	(61.5)
32		1.207	(30.7)	2.470	(62.7)	1.575	(40.0)	2.670	(67.8)
36		1.238	(31.4)	2.560	(65.0)	1.775	(45.1)	2.670	(67.8)

TABLE IV: CABLE ENTRY			
Dash No.	K Max	Cable Entry Max	
02	.545 (13.8)	.250	(6.4)
03	.670 (17.0)	.375	(9.5)
04	.795 (20.2)	.500	(12.7)
05	.920 (23.4)	.625	(15.9)
06	1.045 (26.5)	.750	(19.1)
07	1.170 (29.7)	.875	(22.2)
08	1.295 (32.9)	1.000	(25.4)
09	1.420 (36.1)	1.125	(28.6)
10	1.670 (42.4)	1.250	(31.8)

TABLE V: CABLE ENTRY					
Dash No.	L Max	Cable Range			
		Min		Max	
02	.968 (24.6)	.125	(3.2)	.250	(6.4)
03	1.046 (26.6)	.250	(6.4)	.375	(9.5)
04	1.156 (29.4)	.250	(6.4)	.500	(12.7)
05	1.218 (30.9)	.375	(9.5)	.625	(15.9)
06	1.343 (34.1)	.500	(12.7)	.750	(19.1)
07	1.468 (37.3)	.625	(15.9)	.875	(22.2)
08	1.593 (40.5)	.625	(15.9)	1.000	(25.4)
09	1.718 (43.6)	.750	(19.1)	1.125	(28.6)
10	1.843 (46.8)	.875	(22.2)	1.250	(31.8)

1. When maximum cable entry (page 21) is exceeded, Style 2 will be supplied. Dimensions E, F, G and H will not apply. Please consult factory.
2. Metric dimensions (mm) are indicated in parentheses.
3. Cable range is defined as the accommodations range for the wire bundle or cable. Dimensions shown are not intended for inspection criteria.
4. Consult factory for shorter lengths on straight backshells.

Mouser Electronics

Authorized Distributor

Click to View Pricing, Inventory, Delivery & Lifecycle Information:

Glenair:

[400HS001NF1707L6](#) [400HS001M1706L3](#) [400HS001M2108G2](#) [400HS001NF1907L6](#) [400HS001NF2509L6](#)
[400AA001B1804F](#) [400AA001M2007L](#) [400AA001M2008L](#) [400AA001M2208L](#) [400AA001M2209L](#) [400AA001NF2406F](#)
[400AS001B2409L8](#) [400AS001M1002G2](#) [400AS001M1003L2](#) [400AS001M1003L4](#) [400AS001M1203L2](#)
[400AS001M1204L3](#) [400AS001M1204L5](#) [400AS001M1404G2](#) [400AS001M1404L3](#) [400AS001M1405L3](#)
[400AS001M1407L3](#) [400AS001M1604L3](#) [400AS001M2008L3](#) [400AS001M2009L3](#) [400AS001M2205L6](#)
[400AS001M2209L3](#) [400AS001M2410L3](#) [400AS001N1404L3](#) [400AS001N1604G3](#) [400AS001N1807G3](#)
[400AS001N2005L3](#) [400AS001N2203G3](#) [400AS001N2205L4](#) [400AS001N2206L3](#) [400AS001N2209G3](#)
[400AS001NF1603L3](#) [400AS001NF1604L4](#) [400AS001NF1605L6](#) [400AS001NF2208G4](#) [400AS001NF2410F6](#)
[400AS001T2408G2](#) [400FA001B2409G](#) [400FA001M1004L](#) [400FA001M1405L](#) [400FA001M1406L](#) [400FA001M2006F](#)
[400FA001M2406F](#) [400FA001N1003G](#) [400FA001NF2007L](#) [400FJ001NF2205L](#) [400FS001B1404F3](#)
[400FS001B1404F6](#) [400FS001B1605F6](#) [400FS001B1606F3](#) [400FS001B1606F6](#) [400FS001M1002L3](#)
[400FS001M1003G2](#) [400FS001M1004G3](#) [400FS001M1203L3](#) [400FS001M1405L3](#) [400FS001M1603L3](#)
[400FS001M1605L6](#) [400FS001M1606L3](#) [400FS001M1608L3](#) [400FS001M1805L6](#) [400FS001M1807L3](#)
[400FS001M2005L2](#) [400FS001M2005L3](#) [400FS001M2006L2](#) [400FS001M2007L2](#) [400FS001M2008L2](#)
[400FS001M2008L3](#) [400FS001M2009L3](#) [400FS001M2205L6](#) [400FS001M2209L3](#) [400FS001M2404L2](#)
[400FS001M2407L2](#) [400FS001M2409L2](#) [400FS001M2410L3](#) [400FS001NF1203L3](#) [400FS001NF1405L2](#)
[400FS001NF1607F6](#) [400FS001NF2205L6](#) [400FS001NF2208L3](#) [400FS001NF2209F6](#) [400FS001NF2407L3](#)
[400FS001NF2410F6](#) [400HA001M1103G](#) [400HA001M1104L](#) [400HA001M1907L](#) [400HA001M2107L](#)
[400HA001M2306G](#) [400HA001M2309L](#) [400HA001M2510L](#) [400HA001N1105G](#) [400HA001N1304G](#) [400HA001N1503L](#)
[400HA001N1505L](#) [400HA001NF1504L](#)