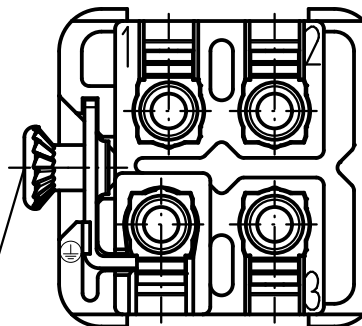
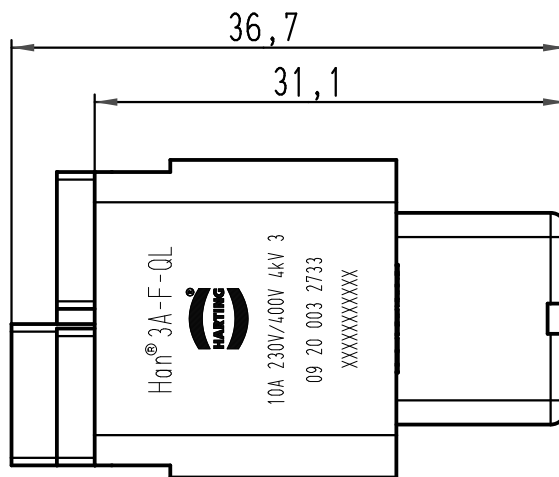
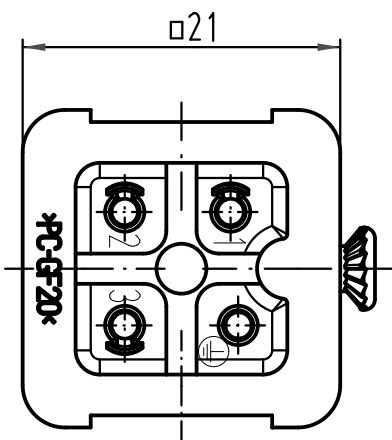


A

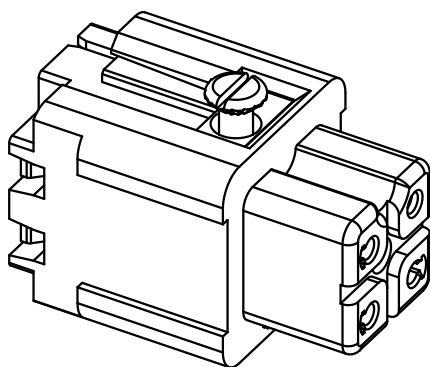
B

C

D



Befestigungsschraube  
lose beigelegt/  
*insert fixing screw  
separately enclosed*



All Dimensions in mm Original Size DIN A 4			Techn. Character.			Nicht tolerierte Masse/ Free size tolerances		
				Dat.	Name	Maßstab/ Scale <b>2:1</b>	<b>Han 3A-F-QL</b> <i>Buchseneinsatz/female insert</i>	
			Detail.	20.08.09	Ho			
			Insp.		FER			
			Stand.					
B	24.09.10	ML	HARTING Electric GmbH & Co. KG				<b>TB 09 20 003 2733</b>	
A			D-32339 Espelkamp					
Mod.	Dat.	Name				Sub.	Blatt/ page	

# Mouser Electronics

Authorized Distributor

Click to View Pricing, Inventory, Delivery & Lifecycle Information:

[HARTING:](#)

[09200032733](#)