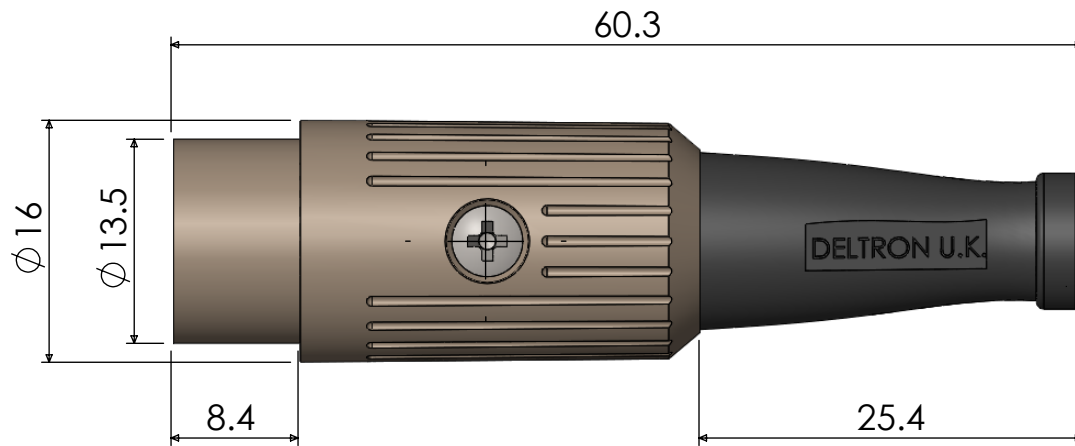


REV	DATE	ECN NUMBER	ECR COMMENT
002	27 Apr 2020	C04605	AMEND PLATING DESCRIPTION
001	23 Apr 2018		

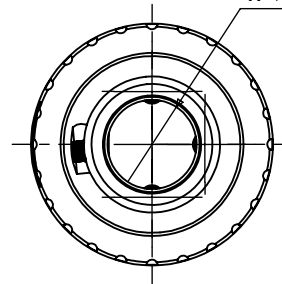
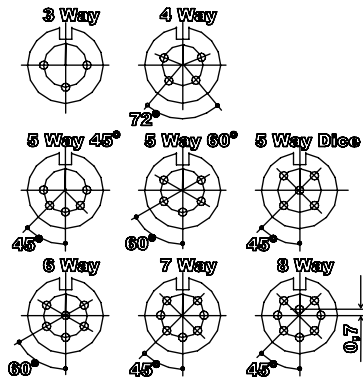
A FULLY SCREENED ROBUST RANGE OF DIN CONNECTORS FOR USE IN INSTRUMENTATION AND AUDIO APPLICATIONS. AVAILABLE IN BLACK CHROME AND BRIGHT NICKEL. ROBUST CONSTRUCTION INCORPORATING CABLE GRIP AND STRAIN RELIEF.

MANUFACTURED TO DIN 41524, 45322, 45326, 45327 AND 45329.

DIMENSIONS



Ø6
GROMMET
INNER DIM



MATERIALS	
HOUSING	ZINC ALLOY
FINISH	BRIGHT NICKEL PLATE OR BLACK CHROME PLATE
MOULDING	NYLON
CONTACTS	BRASS BS2874 CZ121M, SILVER PLATED
CABLE CLAMP	MILD STEEL, SILVER PLATED
SCREW	MILD STEEL, NICKEL PLATED
GROMMET	PVC BLACK
ELECTRICAL	
RATED VOLTAGE	34 V AC or DC
CURRENT RATING	2 Amp
TEST VOLTAGE	500 V r.m.s
INSULATION RESISTANCE	103 MΩ MIN AT 100 V DC
CONTACT RESISTANCE	10 mΩ MAX
CAPACITANCE (MATED)	3pF
CLIMATIC	
CLIMATIC CATEGORY	25/070/21
TEMPERATURE RANGE	-25 °C TO +70 °C
DAMP HEAT, STEADY STATE	21 DAYS

TYPE	PART NUMBERS	
	NICKEL	BLACK
3 WAY	610-0300	611-0300
4 WAY	610-0400	611-0400
5 WAY 45°	610-0500	611-0500
5 WAY 60°	610-0510	611-0510
5 WAY Dia	610-0520	611-0520
6 WAY	610-0600	611-0600
7 WAY	610-0700	611-0700
8 WAY	610-0800	611-0800

PROPRIETARY AND CONFIDENTIAL:
 THE INFORMATION CONTAINED IN THIS DRAWING IS THE SOLE PROPERTY OF ALPHA 3 MANUFACTURING. ANY REPRODUCTION IN PART OR AS A WHOLE WITHOUT THE WRITTEN PERMISSION OF ALPHA 3 MANUFACTURING IS PROHIBITED.
 DEM Manufacturing is a division of Alpha 3 Manufacturing LTD
 DEM Manufacturing, Deltron Emcon House, Hargreaves Way, Sawcliffe Ind. Park, Scunthorpe, North Lincolnshire, DN15 8RF, UK

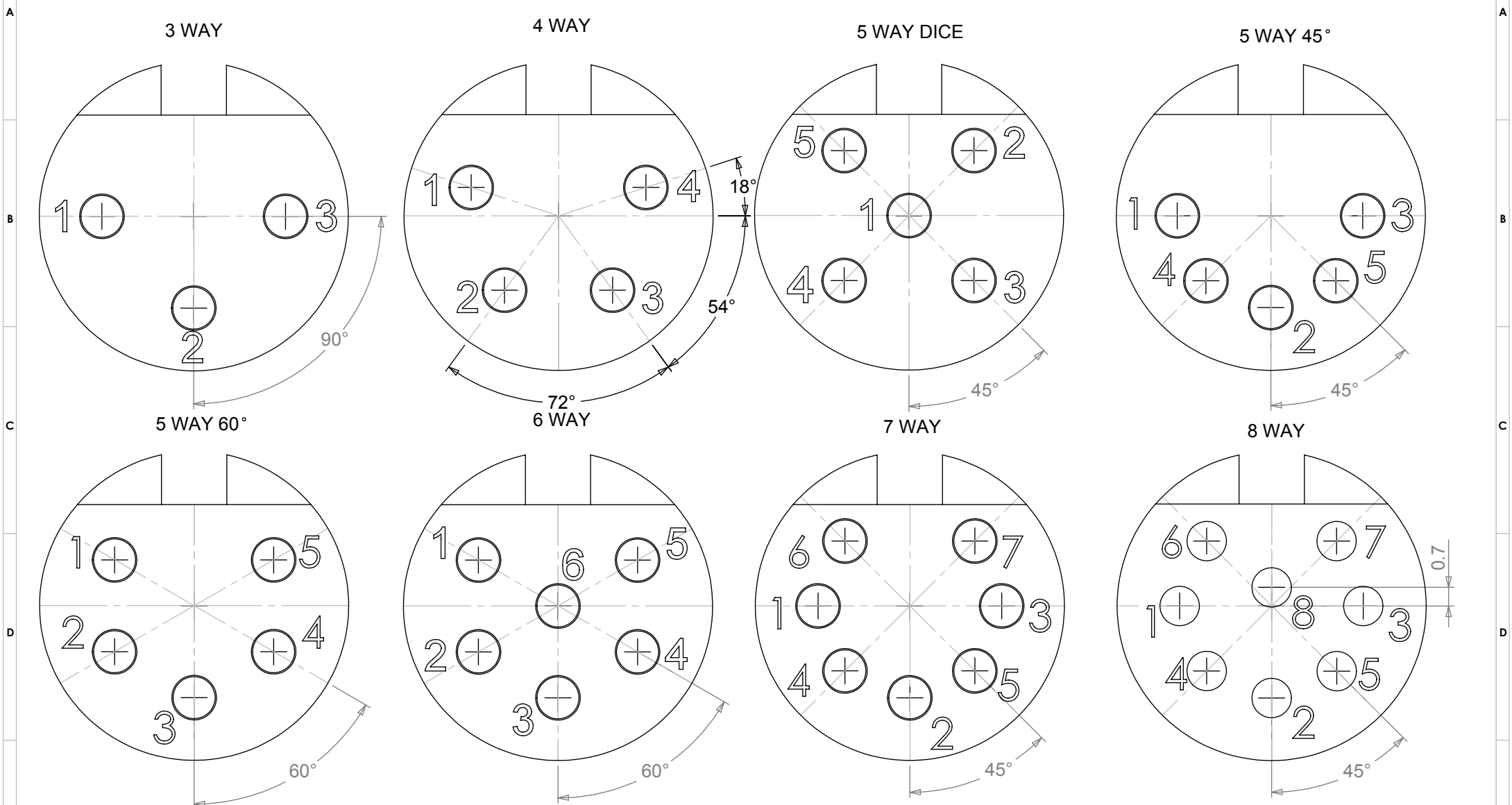
UNLESS OTHERWISE SPECIFIED DIMENSIONS ARE IN MILLIMETRES
 LINEAR & RADIAL TOLERANCE:
NO DECIMAL PLACES ±
1 DECIMAL PLACE ±
2 DECIMAL PLACES ±
ANGULAR TOLERANCE: ±1°

IF IN DOUBT ASK! DO NOT SCALE DRAWING!

FINISH	SEE NOTE
MATERIAL	SEE NOTE
THE FINISHED PRODUCT SHOULD BE CLEAN AND FREE FROM ALL LIQUIDS AND DEBRIS. SURFACES SHOULD BE OF UNIFORM APPEARANCE FREE FROM SHARP EDGES, BURRS AND CORROSION	

AUTHOR	SB	TITLE	GENERAL SPECIFICATION	
EDITOR	DT	FILE	610 - 611 SERIES	
APPROVER	PA	PART	DIN CONNECTORS	
THIRD ANGLE PROJECTION	SHEET 1 OF 1	ISSUE/REV.	002	EDIT DATE 12/03/2020
	SCALE 1:1 A4	RELEASED		RELEASE DATE 27/04/2020

PIN VARIATIONS USED IN: 590 / 591 / 592 / 600 / 601 / 610 / 611 - DIN PLUG CONNECTORS



MANUFACTURED TO DIN STANDARD 41524, 45322, 45326, 45327 AND 45329

PROPRIETARY AND CONFIDENTIAL:
 THE INFORMATION CONTAINED IN THIS DRAWING IS THE SOLE PROPERTY OF ALPHA 3 MANUFACTURING. ANY REPRODUCTION IN PART OR AS A WHOLE WITHOUT THE WRITTEN PERMISSION OF ALPHA 3 MANUFACTURING IS PROHIBITED.
 DEM Manufacturing is a division of Alpha 3 Manufacturing LTD
 DEM Manufacturing, Deltron Emcon House, Hargreaves Way, Sawcliffe Ind. Park, Scunthorpe, North Lincolnshire, DN15 8RF, UK

UNLESS OTHERWISE SPECIFIED DIMENSIONS ARE IN MILLIMETRES
 LINEAR & RADIAL TOLERANCE:
NO DECIMAL PLACES
1 DECIMAL PLACE
2 DECIMAL PLACES
ANGULAR TOLERANCE:

IF IN DOUBT ASK! DO NOT SCALE DRAWING!
 FINISH: CLEAN
 MATERIAL: REFER TO INDIVIDUAL RANGES
 THE FINISHED PRODUCT SHOULD BE CLEAN AND FREE FROM ALL LIQUIDS AND DEBRIS. SURFACES SHOULD BE OF UNIFORM APPEARANCE FREE FROM SHARP EDGES, BURRS AND CORROSION

THIRD ANGLE PROJECTION

AUTHOR	DT	TITLE	PIN ORIENTATIONS	
EDITOR	DT	FILE	DIN PLUG PIN ORIENTATION	
APPROVER	AY	PART	DIN PLUG PIN BASE	
SHEET 1 OF 1	ISSUE/REV.	001	VERSION	11
SCALE 5:1	A4	RELEASED	EDIT DATE	23 Apr 2018

Mouser Electronics

Authorized Distributor

Click to View Pricing, Inventory, Delivery & Lifecycle Information:

[Deltron:](#)

[611-0300](#)