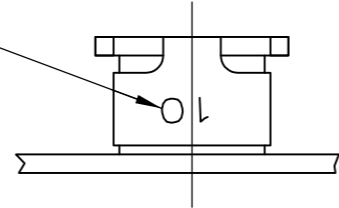


THIS DRAWING IS UNPUBLISHED. RELEASED FOR PUBLICATION
 © COPYRIGHT BY TYCO ELECTRONICS CORPORATION. ALL INTERNATIONAL RIGHTS RESERVED.

LOC	DIST	REVISIONS			
P	LTR	DESCRIPTION	DATE	DWN	APVD
AF	50	A2	REVISED PER ECR-08-031154	12DEC08	HMR KR

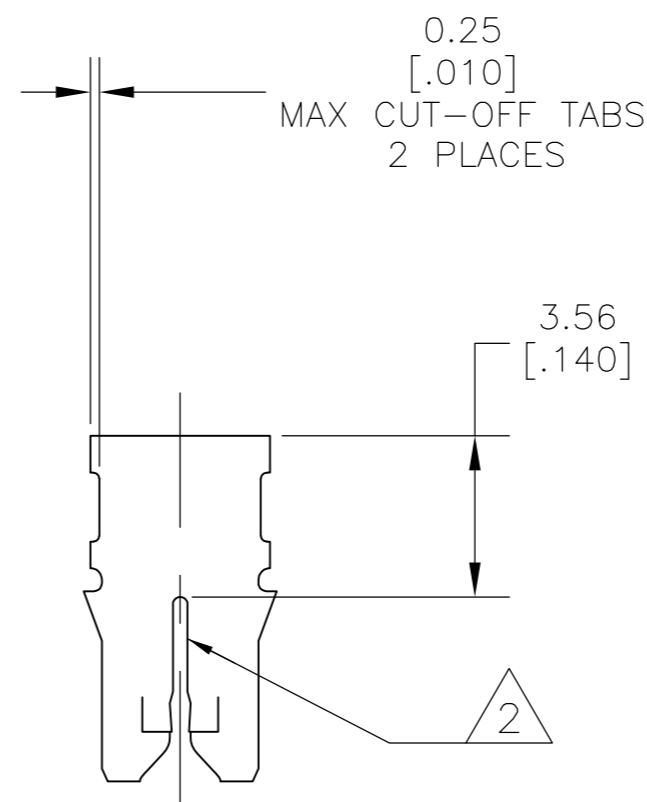
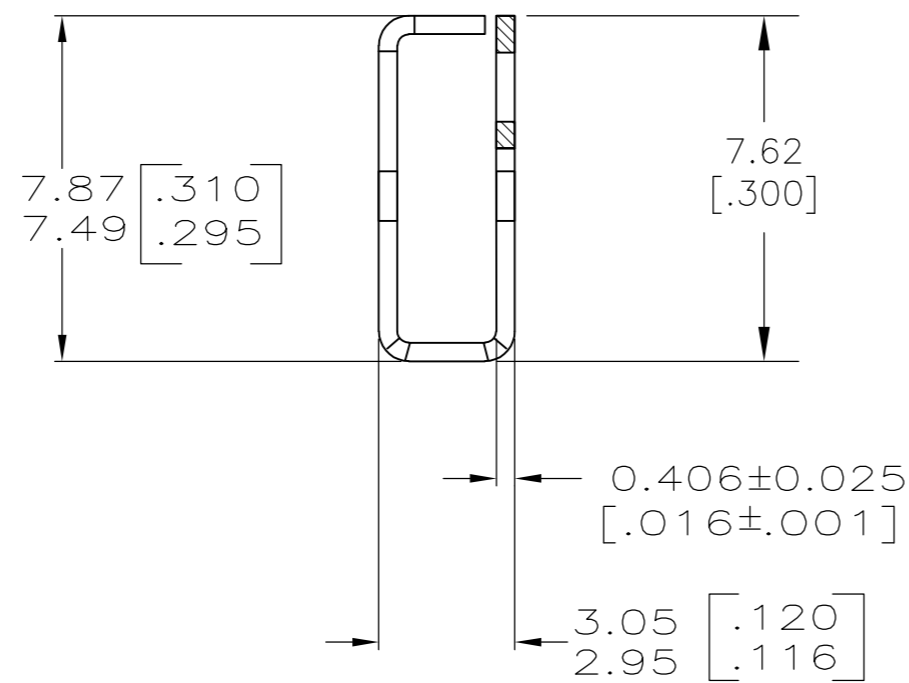
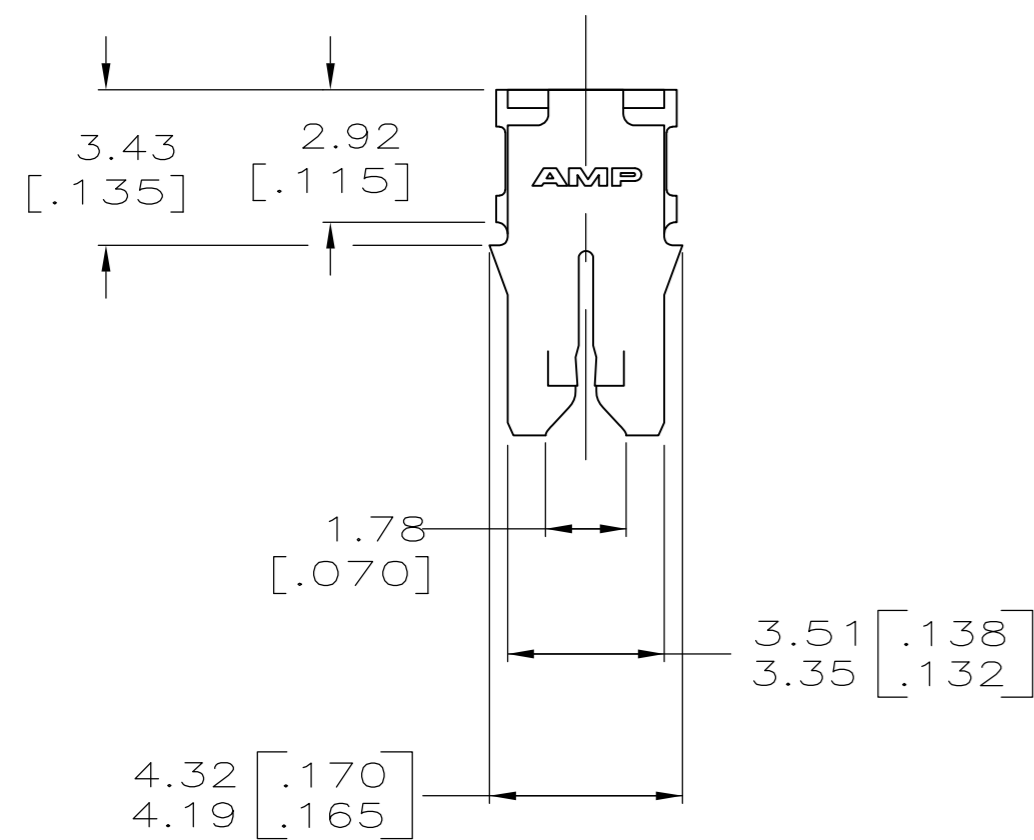
IDENTIFICATION NUMBER 10 FOR MAGNET WIRE RANGE



1 TERMINALS SUPPLIED LOOSE PIECE.



SLOT TERMINATES EITHER A SINGLE OR DOUBLE MAGNET WIRES OF THE SAME TYPE AND SIZE.
 COPPER RANGE: 0.36-0.57mm [#27-#23] AWG.
 ALUMINUM RANGE: 0.51-0.64 mm [#24- #22] AWG.



1742660-1

PART NUMBER

THIS DRAWING IS A CONTROLLED DOCUMENT.		DWN 19NOV2007 MICHAEL S. FEHER	Tyco Electronics Corporation Harrisburg, PA 17105-3608	
DIMENSIONS: INCHES		CHK 19NOV2007 KURT A. RANDOLPH	NAME KURT A. RANDOLPH	
TOLERANCES UNLESS OTHERWISE SPECIFIED:		APVD 19NOV2007 KURT A. RANDOLPH	PRODUCT SPEC 108-2012	
0 PLC ± -		APPLICATION SPEC 114-2046		
1 PLC ± -		SIZE A2		
2 PLC ± 0.25 [.010]		CAGE CODE 00779		
3 PLC ± -		DRAWING NO 1742660		
4 PLC ± -		RESTRICTED TO -		
ANGLES ± -		SCALE 6:1		
MATERIAL 4M BRASS	FINISH 0.002032 [.000080] MIN TIN PLATE	WEIGHT -	SHEET 1 of 1	
CUSTOMER DRAWING		REV A2		

Mouser Electronics

Authorized Distributor

Click to View Pricing, Inventory, Delivery & Lifecycle Information:

[TE Connectivity:](#)

[1742660-1](#)