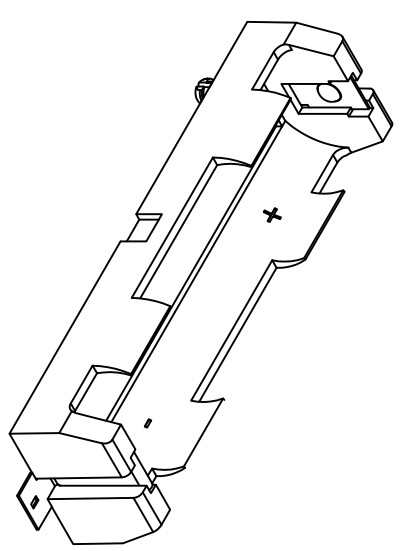
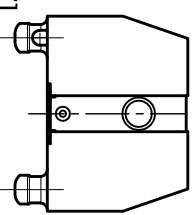
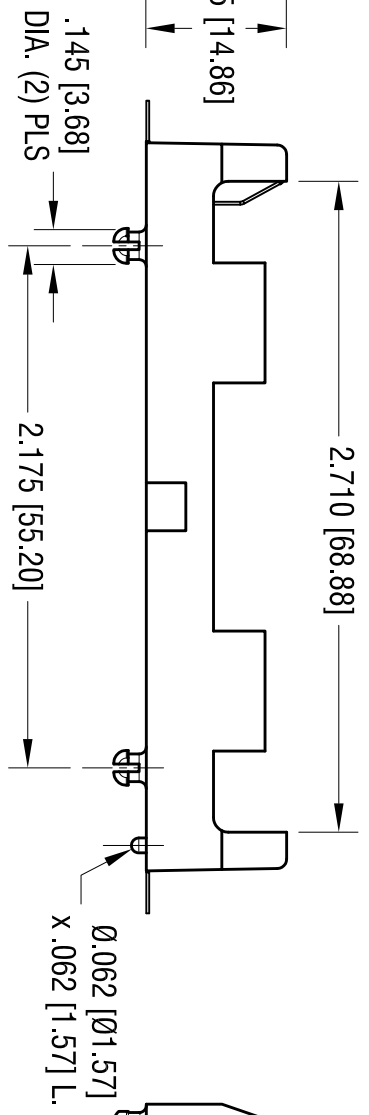
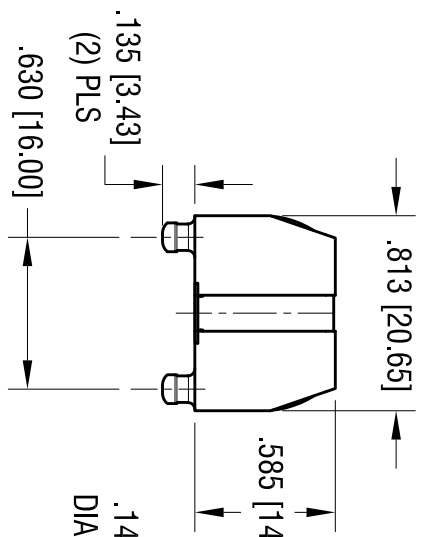
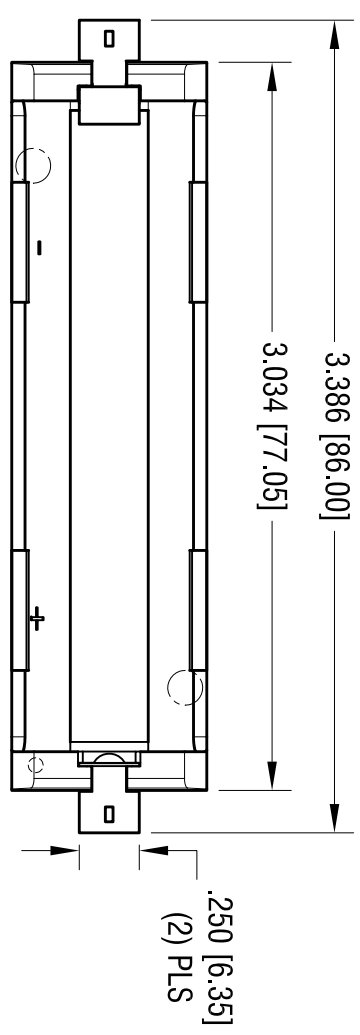
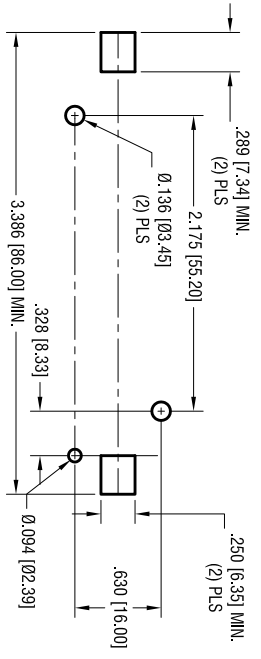


Mounting Pad Layout



NOTE:

- 1. BASE:
MATERIAL: HEAT RESISTANCE NYLON
STANLYL 46 OR EQUIVALENT
- 2. CONTACT:
MATERIAL: .012 [0.30] THK STAINLESS STEEL
FINISH: GOLD FLASH, OVER NICKEL PLATE

DATE	DESCRIPTION	REV.
10.08.13	CHANGE AS PER ECN 13-091	A

KEYSTONE ELECTRONICS CORP.
 www.keystec.com • ASTORIA, N.Y. 11105-2017 • Tel (718) 956-8900

PART NAME: PC POLARIZED BATTERY HOLDER

MATERIAL: AS NOTED

FINISH: AS NOTED

TOLERANCES	INCH	[MM]	CODE	DRN BY	DATE
DECIMAL	± .010	[± 0.25]	C	NT	7.12.13
ANGULAR	± 1°			LN	SCALE 1.25X
UNLESS OTHERWISE SPECIFIED					

THIS DOCUMENT IS THE PROPERTY OF KEYSTONE ELECTRONICS CORP. AND SHALL NOT BE REPRODUCED, DISTRIBUTED OR USED AS A BASIS FOR MANUFACTURE WITHOUT PRIOR WRITTEN PERMISSION FROM KEYSTONE ELECTRONICS CORP.

1042P

Mouser Electronics

Authorized Distributor

Click to View Pricing, Inventory, Delivery & Lifecycle Information:

[Keystone Electronics:](#)

[1042P](#)