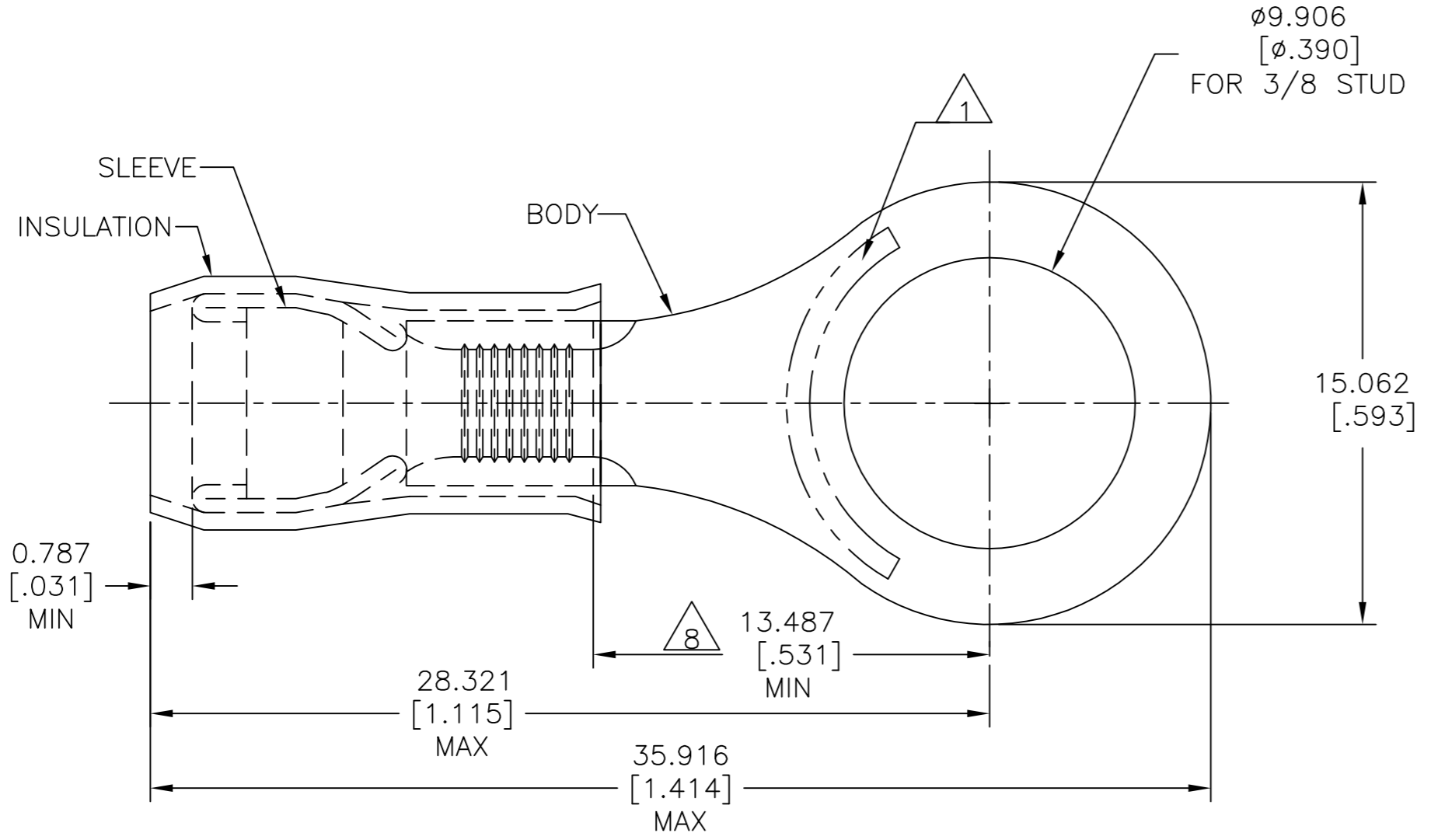
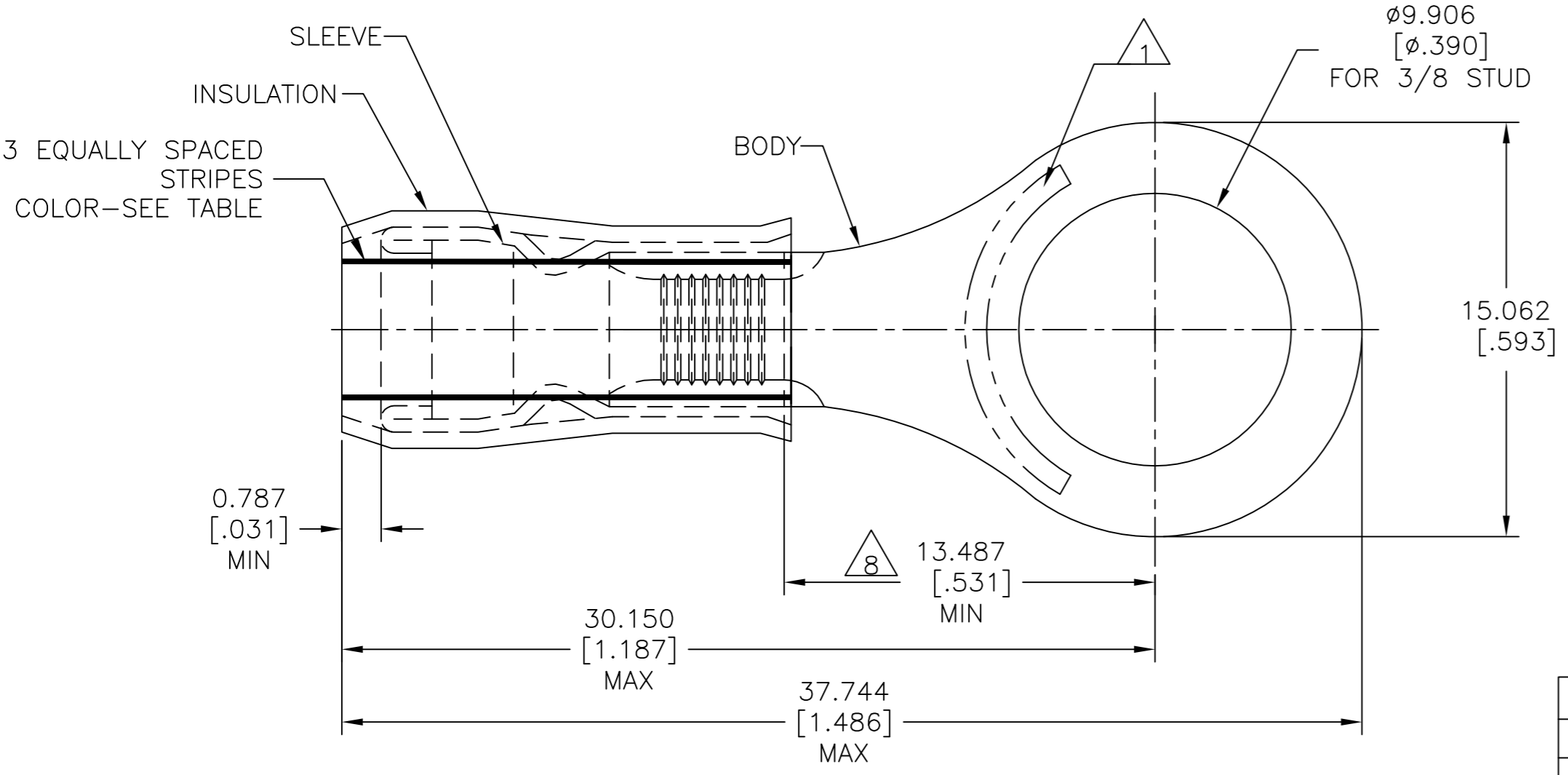


THIS DRAWING IS UNPUBLISHED. RELEASED FOR PUBLICATION
 © COPYRIGHT - By - ALL RIGHTS RESERVED.

REVISIONS					
P	LTR	DESCRIPTION	DATE	DWN	APVD
P		REVISED PER ECO-14-015277	19FEB2015	NK	DR
P1		REVISED PER ECO-17-007400	27NOV2017	RS	DR



STYLE "A"



STYLE "B"
INSULATION RESTRICTING

AMP WIRE RANGE	Listed FILE E13288	LR7189 Certified
12-10 AWG SOLID OR STRANDED	12-10 AWG SOLID OR STRANDED $\Delta 13$	12-10 AWG SOLID OR STRANDED $\Delta 13$

- $\Delta 1$ STAMP "AMP - SEE TABLE" APPROX AS SHOWN
- 2 WIRE INSULATION DIA: SEE TABLE.
- 3 BODY MATERIAL THK: 1.016±0.051[.040±.002]
- $\Delta 4$ FINISH:
BODY: TIN PLATE 0.00254[.000100] MIN EXT THK PER ASTM B545.
INSULATION: COLOR-YELLOW.
- $\Delta 5$ FINISH:
SLEEVE: TIN PLATE 0.00254[.000100] MIN EXT THK PER ASTM B545.
INSULATION: COLOR-YELLOW.
- $\Delta 6$ FINISH:
SLEEVE: NICKEL PLATE PER QQ-N-290.
INSULATION: COLOR-YELLOW.
- $\Delta 7$ MATERIAL:
BODY & SLEEVE- CU PER ASTM B152
INSULATION - NYLON PER ASTM D4066.
- $\Delta 8$ APPLIES FROM EDGE OF METAL WIRE BARREL
TO CENTER OF STUD HOLE.
- $\Delta 9$ MEETS MS25036-114, CLASS 1 & 2.
- $\Delta 10$ MEETS MS25036-114, CLASS 2.
- $\Delta 11$ MEETS M7928/1-61, CLASS 1 & 2.
- $\Delta 12$ MEETS M7928/1-68, CLASS 1 & 2.
- $\Delta 13$ STYLE "A" ONLY.

QTY	PACKAGE TYPE	STAMPING	WIRE INSUL DIA	WIRE SIZE	STRIPE COLOR	STYLE	BODY FINISH	SLEEVE FINISH	PART NO
1000	ON TAPE & REEL	12-10*	$\phi 3.810-5.842[\phi .150-.230]$	12-10	---	"A"	$\Delta 4$	$\Delta 5$	2-320577-3
500	LOOSE PIECE	10*	$\phi 3.027-5.100[\phi .119-.200]$	10	BROWN	"B"	$\Delta 4$	$\Delta 6$	2-320577-2
500	LOOSE PIECE	12*	$\phi 2.413-5.100[\phi .095-.200]$	12	YELLOW	"B"	$\Delta 4$	$\Delta 6$	2-320577-1
500	LOOSE PIECE	12-10*	$\phi 3.810-5.842[\phi .150-.230]$	12-10	---	"A"	$\Delta 4$	$\Delta 5$	320577

CUSTOMER SERVICE SYSTEMS FOR ADDITIONAL PRODUCT INFORMATION OR COPIES OF DRAWINGS AND TECHNICAL DOCUMENTS PRODUCT INFORMATION CENTER 1-800-522-6752 FOR APPLICATION TOOLING ASSISTANCE CENTER TOOLING INFORMATION 1-800-722-1111 FOR ORDER ENTRY 1-800-526-5142		MAX RECOMMENDED OPERATING TEMPERATURE: 105°C[221°F] MAX VOLTAGE RATING: 300 VOLT MAX CIRCULAR MIL AREA: 2.62-6.64mm ² [5,180-13,100] STRANDED OR SOLID	THIS DRAWING IS A CONTROLLED DOCUMENT. DIMENSIONS: mm [INCHES] TOLERANCES UNLESS OTHERWISE SPECIFIED: 0 PLC ± - 1 PLC ± - 2 PLC ± - 3 PLC ± 0.127[.005] 4 PLC ± - ANGLES ± - FINISH $\Delta 4 \Delta 5 \Delta 6$	DWN JR RUTH 23DEC09 CHK T MICHIELUTTI 23DEC09 APVD T MICHIELUTTI 23DEC09 PRODUCT SPEC UL 486 A-B $\Delta 13$ APPLICATION SPEC 114-2157 WEIGHT - CUSTOMER DRAWING	TE TE Connectivity NAME TERMINAL, RING TONGUE, PIDG (12-10 AWG) PIDG IR (12 & 10 AWG) SIZE A2 CAGE CODE 00779 DRAWING NO C=320577 RESTRICTED TO - SCALE 5:1 SHEET 1 of 1 REV P1
--	--	--	---	--	---