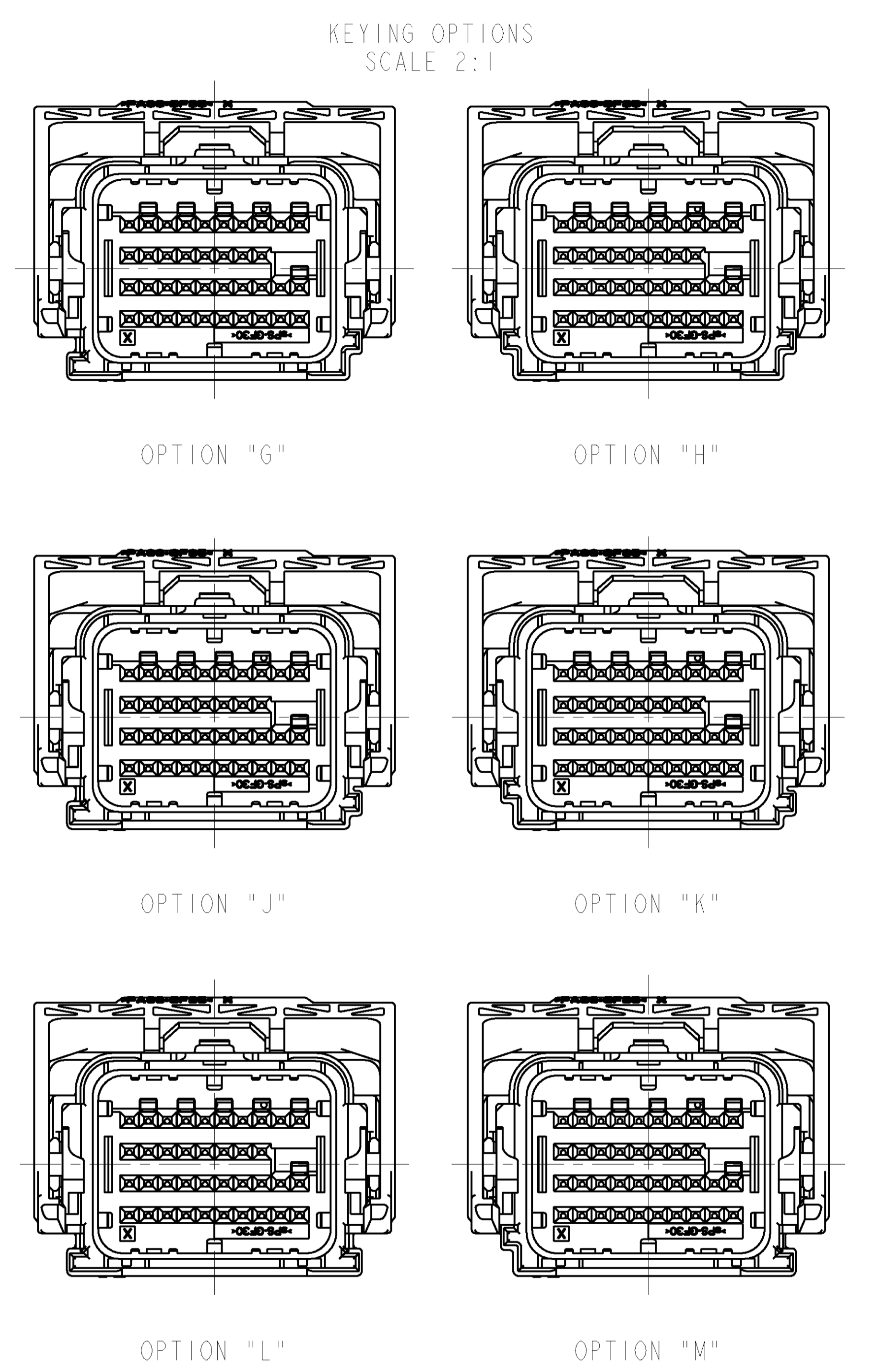
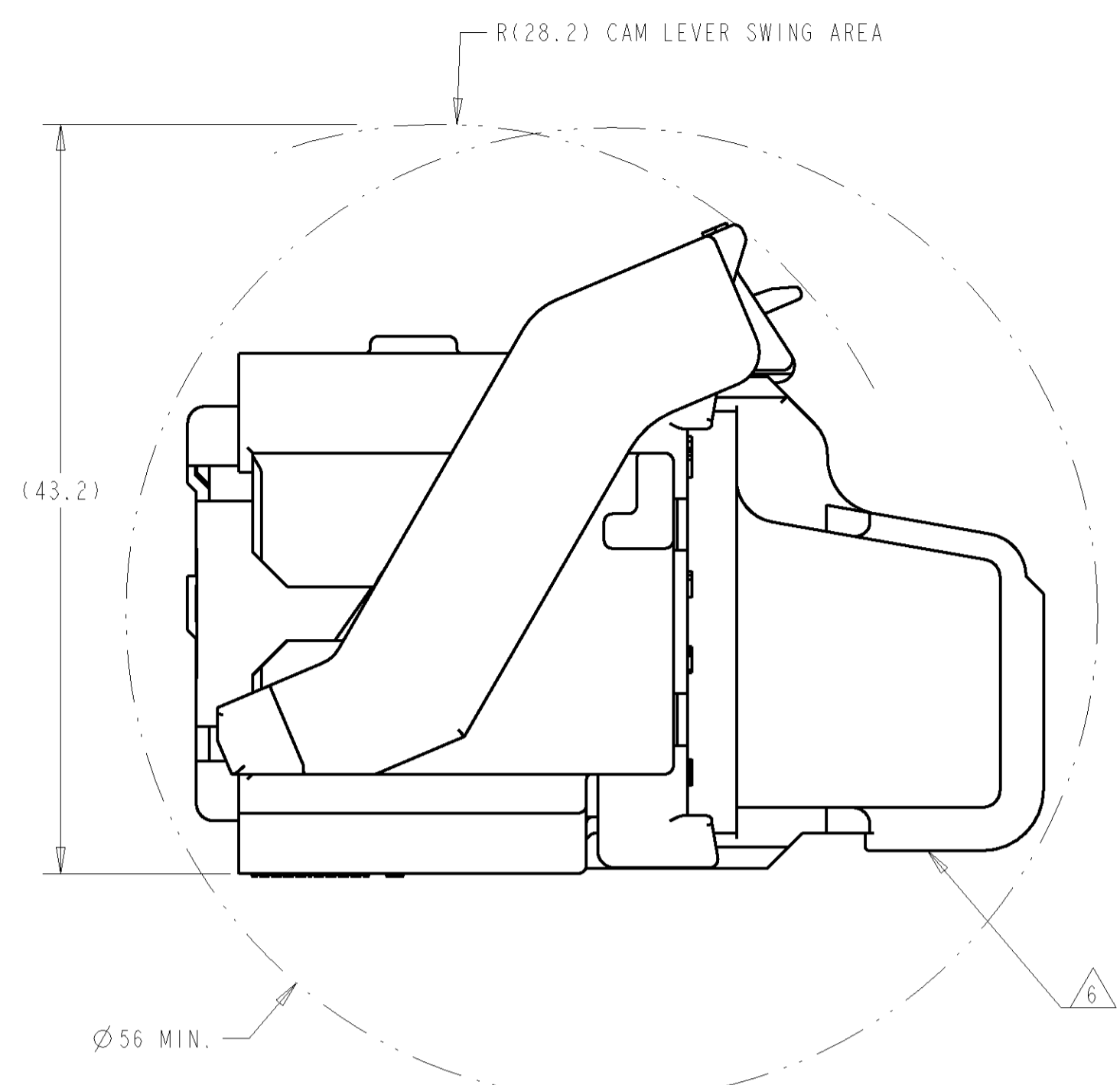
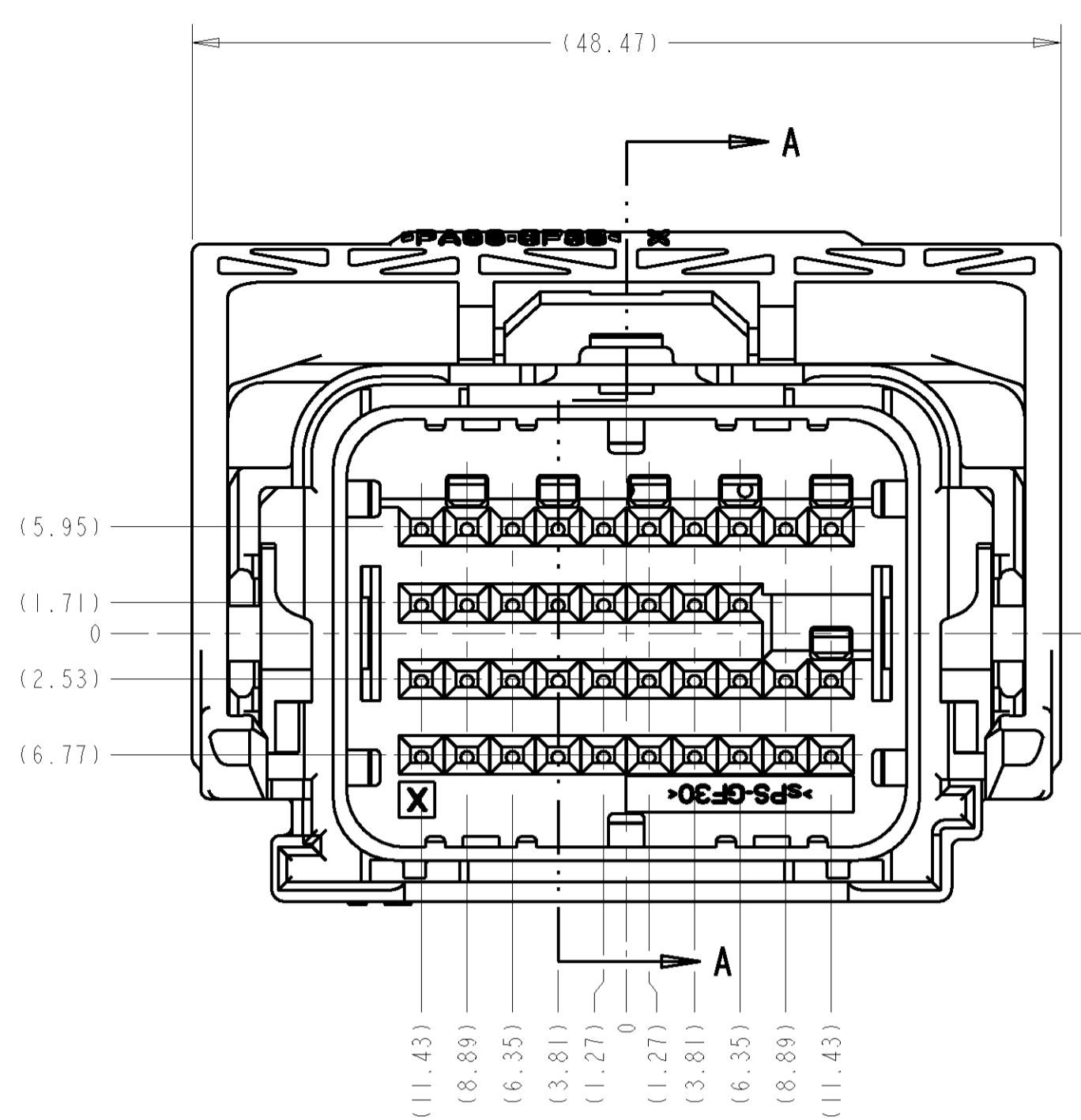
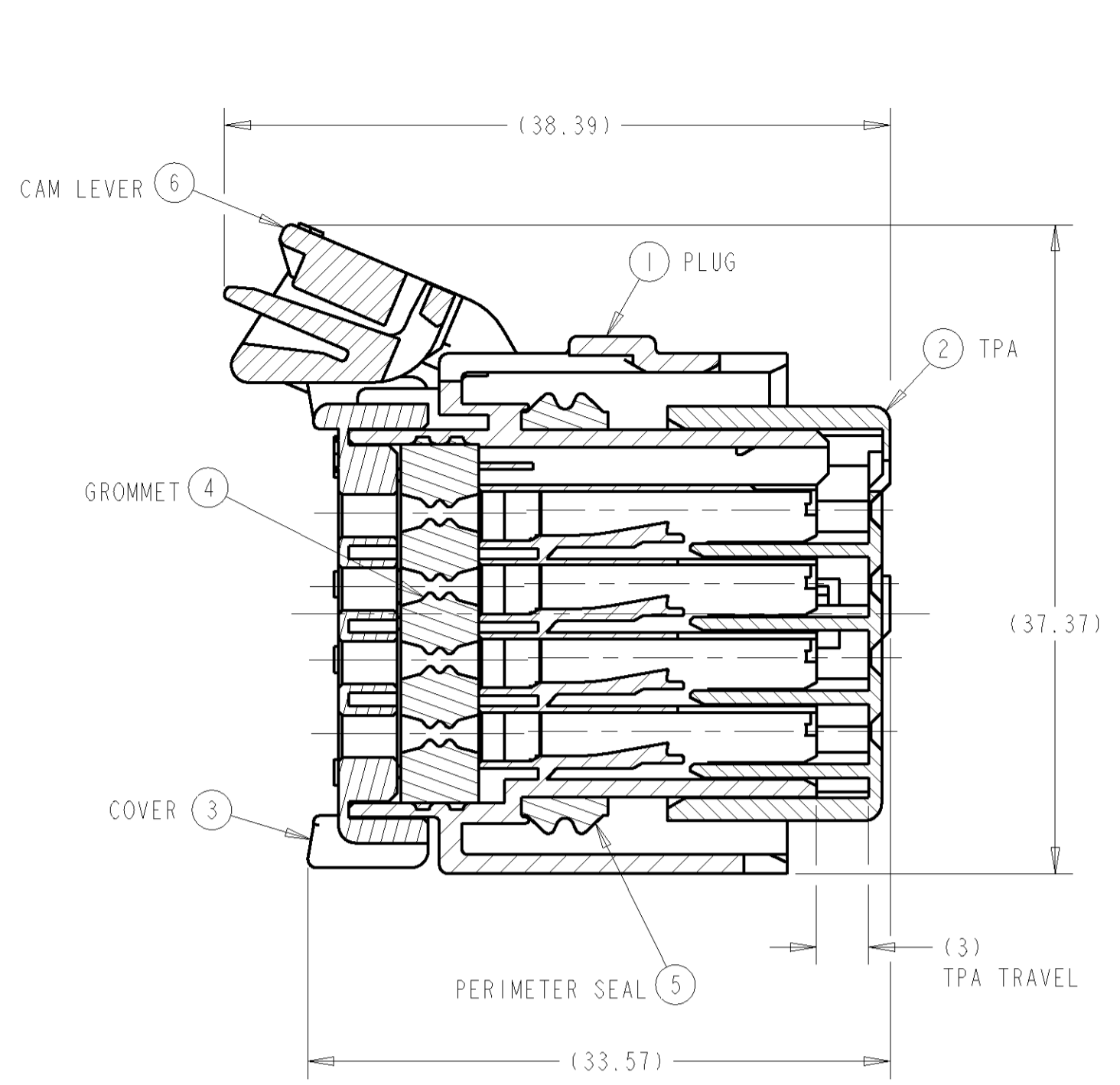
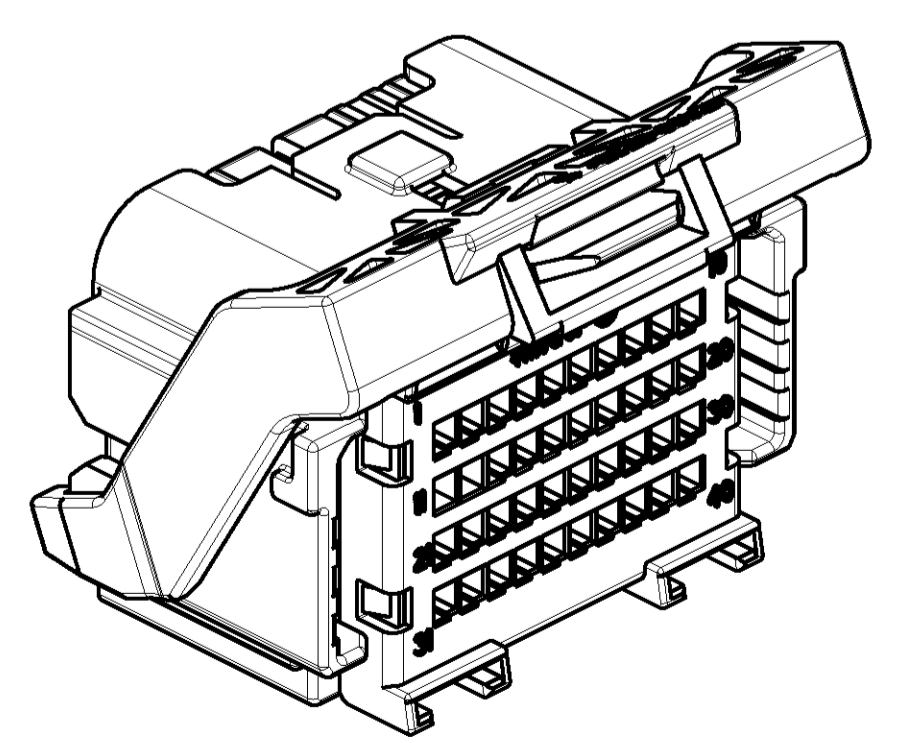
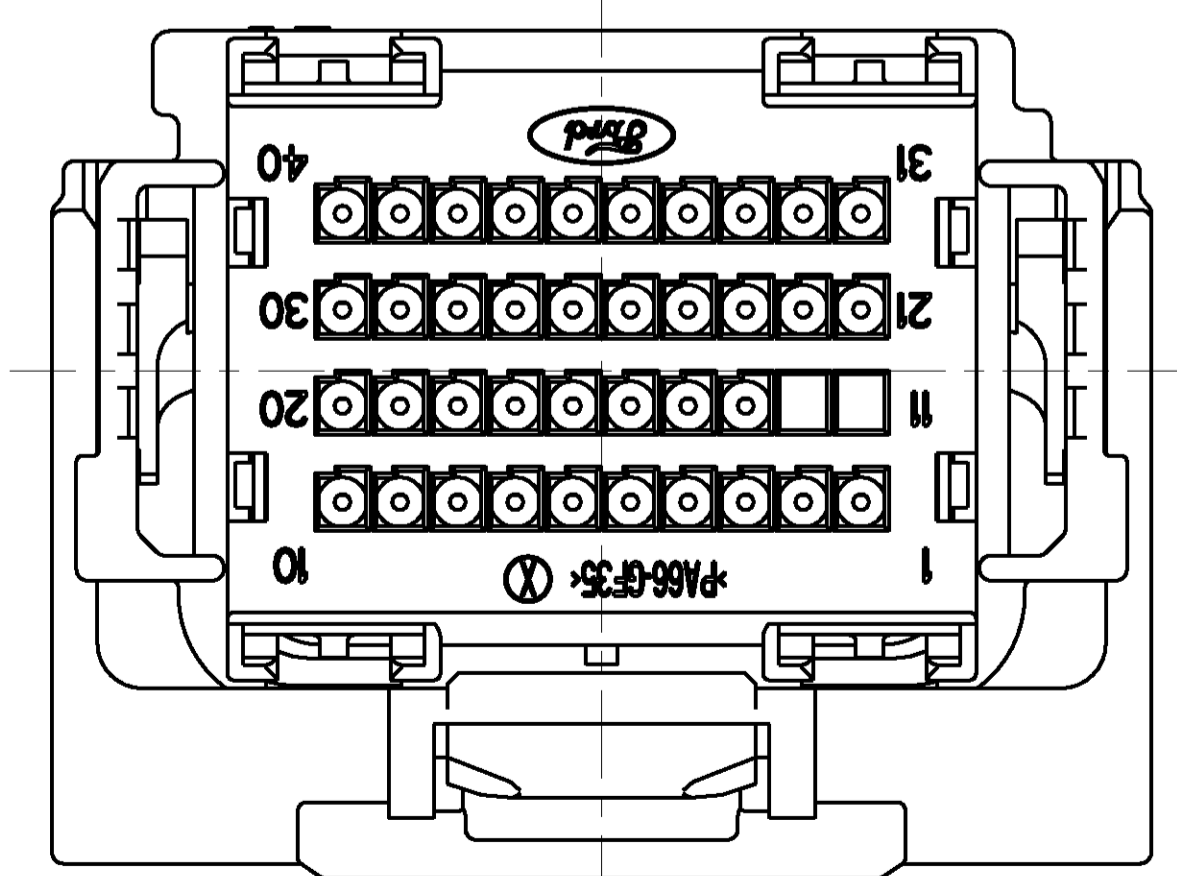
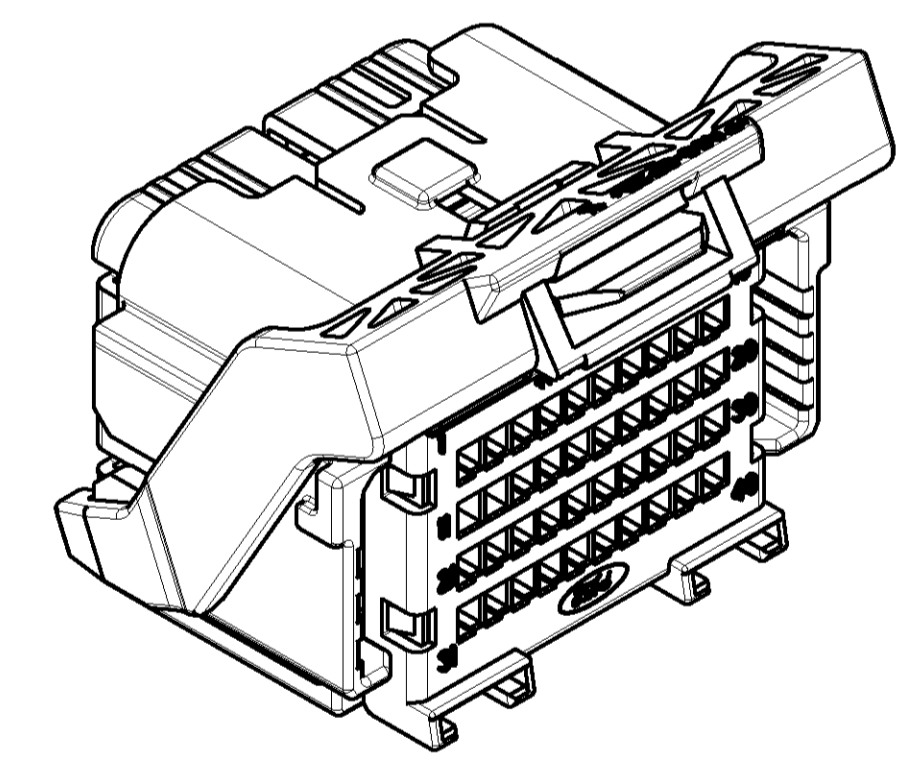
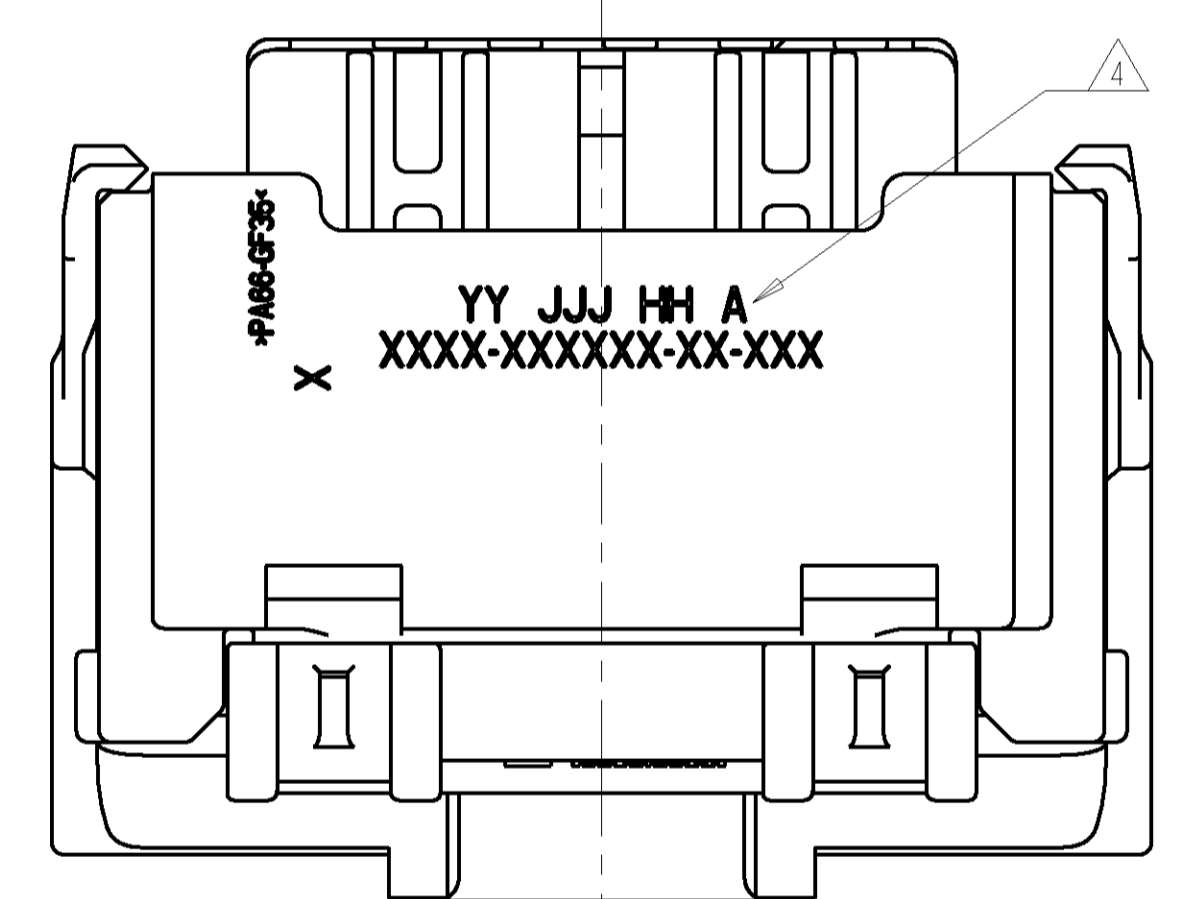
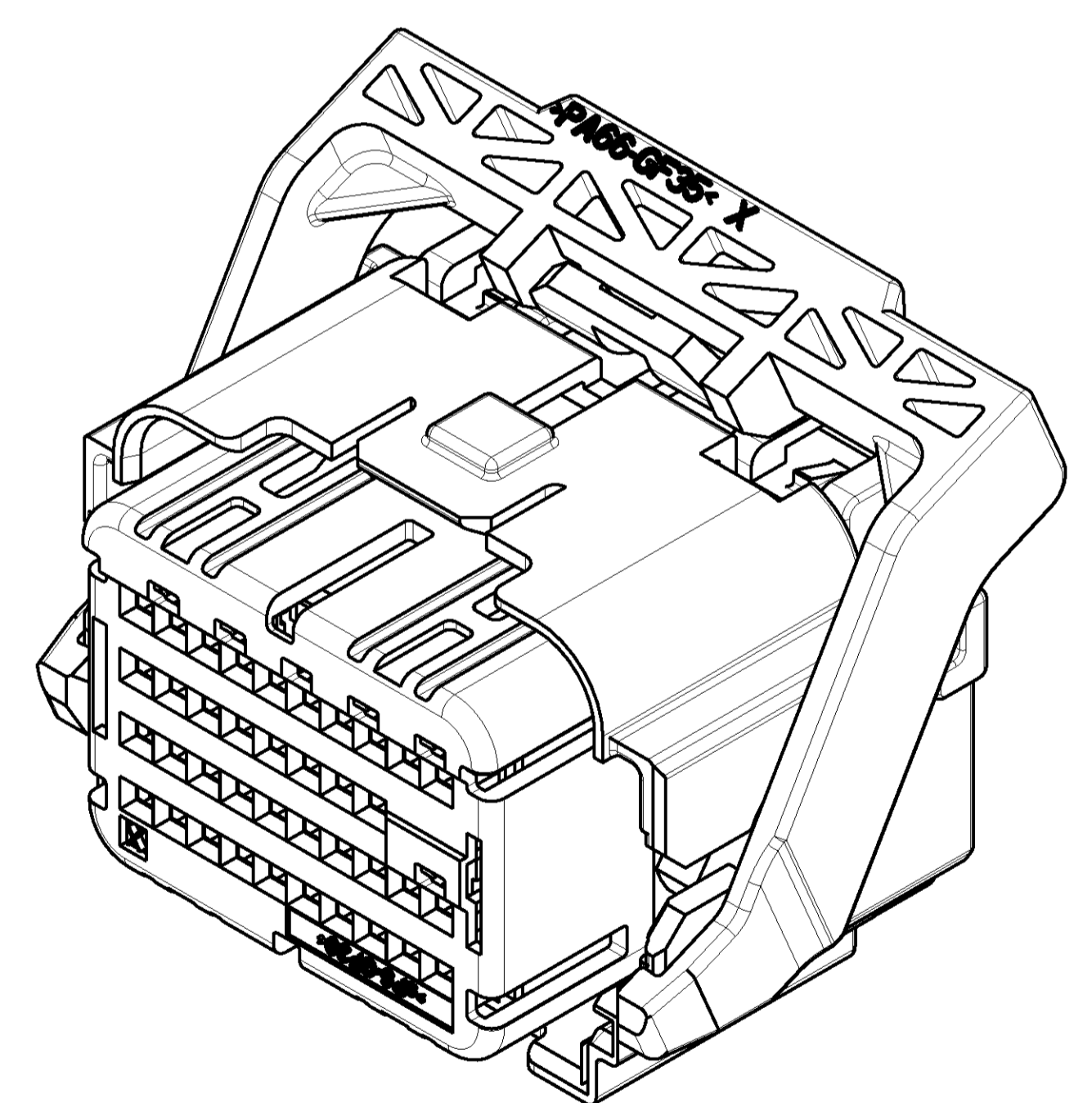


LOC	DIST	REVISIONS				
		P. LTR	DESCRIPTION	DATE	DWN	APVD
FX	00	D1	REVISED PER ECR 07-029132	07JAN2008	DLD	WTW
		E	REVISED PER ECR 07-030366	08JAN2008	DLD	WTW
		F	REVISED PER ECO 08-006962	19MAR2008	DLD	WTW



SECTION A-A  
 SHOWN WITH CAM LEVER  
 AND TPA IN THEIR  
 PRE-LOADED POSITIONS  
 (DELIVERY CONDITION)

MINIMUM FEED THROUGH CONDITION  
 WITH 1mm CLEARANCE ALL AROUND  
 SHOWN WITH OPTION WIRESHIELD  
 TPA IS IN IT'S LOADED POSITION  
 CAM LEVER IS IN IT'S PRE-LOADED POSITION



- NOTE(S):
- APPLICABLE TERMINAL PART NUMBERS (SOLD SEPARATELY):  
 FOR TIN APPLICATIONS: 1393367 AND 1393366.  
 FOR GOLD APPLICATIONS: 1393365 AND 1393364.  
 FOR TERMINATION AND REELING OPTIONS  
 SEE DRAWINGS 1393367, 1393366, 1393365, AND 1393364.
  - COMPATIBLE WIRE SIZES FOR MAT SEAL DESIGN 1.19 TO 2.06 O.D.  
 (22-18 AWG, 0.35-0.75 mm<sup>2</sup>)
  - TPA AND CAM LEVER ARE SHIPPED IN THEIR PRE-LOADED POSITION.  
 ALL ASSEMBLIES ARE TO BE TRAY PACKAGED.
  - CUSTOMER PART NUMBER AND TRACEABILITY CODE (YY = TWO DIGIT YEAR,  
 JJJ = JULIAN DAY, HH = TWO DIGIT MILITARY HOUR, A=ASSEMBLY PROCESS  
 USED) ARE PRINTED IN THIS LOCATION.
  - PART ASSEMBLY WEIGHT WITHOUT TERMINALS AND WITH STANDARD PIN-OUT  
 CONFIGURATION IS 26.09 GRAMS.
  - OPTIONAL WIRESHIELD P/N 8-1419157-8 (SOLD SEPARATELY). PLEASE CONTACT  
 YOUR TYCO ELECTRONICS SALES REPRESENTATIVE FOR AVAILABILITY AND PRICING.

<small>THE INFORMATION CONTAINED HEREON IS UNCLASSIFIED EXCEPT WHERE SHOWN OTHERWISE. IT IS SUBJECT TO CHANGE AND WITHOUT WARRANTY. THE ENGINEERING ORGANIZATION SHALL BE CONTACTED FOR THE LATEST NOTATION.</small>		DWN: A. HOLT 14NOV2006 CHK: W. WELLSKY 14NOV2006 APVD: W. WELLSKY 14NOV2006	Tyco Electronics Harrisburg, PA 17105-3608
DIMENSIONS: mm 	TOLERANCES UNLESS OTHERWISE SPECIFIED: 0 PLC ± 1 PLC ±0.3 2 PLC ±0.10 3 PLC ± 4 PLC ± ANGLES ±MAX	NAME: 40 WAY SHORTING BAR ARM PLUG ASSEMBLY WITHOUT SHORTING BARS LOADED	SIZE: 00779 CAGE CODE: 1924170 CUSTOMER DRAWING
MATERIAL: SEE CHART ON SHEET 2	WEIGHT: SEE NOTE 5	SCALE: 3:1	SHEET 1 OF 5 REV F

LOC	DIST	REVISIONS			
		REV	DATE	BY	APPV
FX	00	-	SEE SHEET 1	-	-

ITEM	DESCRIPTION	MATERIAL	FINISH/COLOR
6	CAM LEVER	PA66 35% GF	GRAY
6	CAM LEVER WITH MODIFIED TAB	PA66 35% GF	GRAY
5	PERIMETER SEAL	SILICONE	GREEN
4	GROMMET	SILICONE	BROWN
3	COVER	PA66 35% GF	BLACK
2	TPA FOR SHORTING BAR APPLICATIONS	sPS 30% GF	NATURAL
1	PLUG WITH KEYING OPTION "H" AND 6 SHORTING BAR POSITIONS CONFIGURATION	PA66 35% GF	BLACK
1	PLUG WITH KEYING OPTION "G" AND 6 SHORTING BAR POSITIONS CONFIGURATION	PA66 35% GF	BLACK

QUANTITY

ITEM	DESCRIPTION	MATERIAL	FINISH/COLOR
6	CAM LEVER	PA66 35% GF	GRAY
6	CAM LEVER WITH MODIFIED TAB	PA66 35% GF	GRAY
5	PERIMETER SEAL	SILICONE	GREEN
4	GROMMET	SILICONE	BROWN
3	COVER	PA66 35% GF	BLACK
2	TPA FOR SHORTING BAR APPLICATIONS	sPS 30% GF	NATURAL
1	PLUG WITH KEYING OPTION "H" AND 6 SHORTING BAR POSITIONS CONFIGURATION	PA66 35% GF	BLACK
1	PLUG WITH KEYING OPTION "G" AND 6 SHORTING BAR POSITIONS CONFIGURATION	PA66 35% GF	BLACK

ITEM	DESCRIPTION	MATERIAL	FINISH/COLOR
6	CAM LEVER	PA66 35% GF	GRAY
6	CAM LEVER WITH MODIFIED TAB	PA66 35% GF	GRAY
5	PERIMETER SEAL	SILICONE	GREEN
4	GROMMET	SILICONE	BROWN
3	COVER	PA66 35% GF	BLACK
2	TPA FOR SHORTING BAR APPLICATIONS	sPS 30% GF	NATURAL
1	PLUG WITH KEYING OPTION "H" AND 6 SHORTING BAR POSITIONS CONFIGURATION	PA66 35% GF	BLACK
1	PLUG WITH KEYING OPTION "G" AND 6 SHORTING BAR POSITIONS CONFIGURATION	PA66 35% GF	BLACK

QUANTITY

ITEM	DESCRIPTION	MATERIAL	FINISH/COLOR
6	CAM LEVER	PA66 35% GF	GRAY
6	CAM LEVER WITH MODIFIED TAB	PA66 35% GF	GRAY
5	PERIMETER SEAL	SILICONE	GREEN
4	GROMMET	SILICONE	BROWN
3	COVER	PA66 35% GF	BLACK
2	TPA FOR SHORTING BAR APPLICATIONS	sPS 30% GF	NATURAL
1	PLUG WITH KEYING OPTION "H" AND 6 SHORTING BAR POSITIONS CONFIGURATION	PA66 35% GF	BLACK
1	PLUG WITH KEYING OPTION "G" AND 6 SHORTING BAR POSITIONS CONFIGURATION	PA66 35% GF	BLACK

DIMENSIONS: mm 		TOLERANCES UNLESS OTHERWISE SPECIFIED: 0 PLC #+ 1 PLC #+0.3 2 PLC #+0.10 3 PLC #+ 4 PLC #+ ANGLES #+ FINISH -		DWN A. HOLT 14NOV2006 CHK W. WELLSKY 14NOV2006 APVD W. WELLSKY 14NOV2006 NAME PRODUCT SPEC APPLICATION SPEC WEIGHT CUSTOMER DRAWING		Tyco Electronics Harrisburg, PA 17105-3608 40 WAY SHORTING BAR ARM PLUG ASSEMBLY WITHOUT SHORTING BARS LOADED SIZE CASE CODE DRAWING NO A1 00779 C=1924170 SHEET 2 OF 5 REV F	
-----------------------	--	--	--	--	--	---	--

LOC	DIST	REVISIONS			
		REV	DATE	BY	APPV
FX	00	-	SEE SHEET 1	-	-

PIN OUT CHART

BLANK CAVITIES INDICATE OPEN TERMINAL HOLE POSITIONS

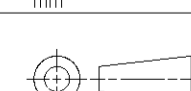
CAVITIES WITH A NUMERIC SYMBOL INDICATE CLOSED TERMINAL HOLE POSITIONS

TERMINAL HOLE POSITION

1	2	3	4	5	6	7	8	9	10	11	12	13	14	15	16	17	18	19	20	21	22	23	24	25	26	27	28	29	30	31	32	33	34	35	36	37	38	39	40	ASSEMBLY PART NUMBER	KEYING OPTION			
											11	12																													0-1924170-1	G		
1	2	3	4	5	6	7	8	9	10	11	12	13	14	15	16	17	18			21	22																				0-1924170-2	G		
			3	4	5	6	7	8	9	10	11	12	13	14	15	16																										0-1924170-3	G	
							7	8	9	10	11	12	13	14	15	16																										0-1924170-4	G	
1	2	3	4	5	6	7	8	9	10	11	12	13	14	15	16					21	22																				0-1924170-5	G		
1	2	3	4	5	6	7	8	9	10	11	12	13	14												24																0-1924170-6	G		
1	2	3	4	5	6	7	8	9	10	11	12	13	14	15	16																										0-1924170-7	G		
							7	8	9	10	11	12																														0-1924170-8	G	
			3	4	5	6	7	8	9	10	11	12																														0-1924170-9	G	
1	2	3	4	5	6	7	8	9	10	11	12	13	14	15	16																											1-1924170-0	G	
							7	8	9	10	11	12						18																								1-1924170-1	G	
1	2	3	4				7	8	9	10	11	12	13	14	15	16				21	22																					1-1924170-2	G	
1	2						7	8	9	10	11	12								21	22																					1-1924170-3	G	
			3	4	5	6	7	8	9	10	11	12	13	14	15	16	17	18																								1-1924170-4	G	
1	2	3	4				7	8	9	10	11	12	13	14	15	16	17	18			21	22																				1-1924170-5	G	
1	2						7	8	9	10	11	12								21	22																					1-1924170-6	G	
1	2	3	4	5	6	7	8	9	10	11	12	13	14	15	16	17	18			21	22	23	24	25	26	27	28	29	30	31	32	33	34	35	36	37	38	39	40		1-1924170-7	G		
			3	4	5	6	7	8	9	10	11	12	13	14	15	16	17	18																									1-1924170-8	G
							7	8	9	10	11	12																															1-1924170-9	G
1	2	3	4	5	6	7	8	9	10	11	12	13	14	15	16	17	18			21	22	23	24	25	26	27	28	29	30												2-1924170-0	G		
1	2	3	4	5	6	7	8	9	10	11	12	13	14	15	16					21	22																					2-1924170-1	G	
							7	8	9	10	11	12	13	14	15	16																											2-1924170-2	G
			3	4	5	6	7	8	9	10	11	12	13	14	15	16																											2-1924170-3	G
1	2						7	8	9	10	11	12								21	22	23	24	25	26																	2-1924170-4	G	
1	2						7	8	9	10	11	12								21	22	23	24																				2-1924170-5	G
							7	8	9	10	11	12	13	14	15	16	17	18																									2-1924170-6	G
							7	8	9	10	11	12	13	14	15	16	17	18																									2-1924170-7	G
							7	8	9	10	11	12	13	14	15	16	17	18																									2-1924170-8	G
			3	4			7	8	9	10	11	12	13	14	15	16																											2-1924170-9	G
											11	12																															3-1924170-0	G
1	2						7	8	9	10	11	12	13	14	15	16	17	18			21	22																				3-1924170-1	G	
1	2						7	8	9	10	11	12	13	14	15	16				21	22																					3-1924170-2	G	
1	2						7	8	9	10	11	12	13	14	15	16	17	18			21	22																				3-1924170-3	G	
1	2						7	8	9	10	11	12								21	22																					3-1924170-4	G	
1	2						7	8	9	10	11	12	13	14	15	16				21	22																					3-1924170-5	G	
1	2			5	6	7	8	9	10	11	12	13	14	15	16	17	18			21	22																					3-1924170-6	G	
1	2			5	6	7	8	9	10	11	12	13	14	15	16				21	22																						3-1924170-7	G	
1	2						7	8	9	10	11	12								21	22																					3-1924170-8	G	
1	2	3	4	5	6	7	8	9	10	11	12	13	14	15	16	17	18			21	22	23	24																			3-1924170-9	G	
											11	12																															4-1924170-0	G
					5	6	7	8	9	10	11	12	13	14	15	16				19	20																				4-1924170-1	G		
1	2			5	6	7	8	9	10	11	12	13	14	15	16				21	22																						4-1924170-2	G	
1	2	3	4	5	6	7	8				11	12	13	14	15	16				19	20	21	22	23	24																	4-1924170-3	G	
1	2	3	4	5	6						11	12	13	14	15	16				21	22	23	24																			4-1924170-4	G	
1	2	3	4	5	6	7	8	9	10	11	12	13	14	15	16	17	18			21	22																					4-1924170-5	G	
1	2	3	4	5	6	7	8	9	10	11	12	13	14	15	16				21	22	23	24	25	26	27	28	29	30	31	32	33	34									4-1924170-6	G		
1	2		4		6	7	8	9	10	11	12	13	14	15	16	17	18			21	22	23	24																			4-1924170-7	G	
1	2	3	4	5	6	7	8	9	10	11	12	13	14	15	16				21	22																						4-1924170-8	G	
1	2	3	4	5	6	7	8	9	10	11	12	13	14	15	16	17	18			21	22	23	24																			4-1924170-9	G	
							7	8	9	10	11	12	13	14	15	16	17	18																									5-1924170-0	G
			3	4	5	6	7	8																																				

LOC	QTY	REV	DATE	BY	APPV
FX	00				

PIN OUT CHART																																								ASSEMBLY PART NUMBER	KEYING OPTION				
BLANK CAVITIES INDICATE OPEN TERMINAL HOLE POSITIONS																																													
CAVITIES WITH A NUMERIC SYMBOL INDICATE CLOSED TERMINAL HOLE POSITIONS																																													
TERMINAL HOLE POSITION																																													
1	2	3	4	5	6	7	8	9	10	11	12	13	14	15	16	17	18	19	20	21	22	23	24	25	26	27	28	29	30	31	32	33	34	35	36	37	38	39	40						
				5	6	7	8	9	10	11	12	13	14	15	16								24			27	28	29	30								37	37	39	40	6-1924170-6	G			
			3	4	5	6	7	8	9	10	11	12	13	14	15	16	17	18					23	24		26										35	36	37	37	39	40	6-1924170-7	G		
			3	4	5	6	7	8	9	10	11	12	13	14	15	16							24			27	28	29	30							35	36	37	37	39	40	6-1924170-8	G		
			3	4	5	6	7	8	9	10	11	12	13	14	15	16							24			27	28	29	30							35	36	37	37	39	40	6-1924170-9	G		
1	2			5	6	7	8	9	10	11	12	13	14	15	16					21	22					27	28	29	30									37	38	39	40	7-1924170-0	G		
				5	6	7	8	9	10	11	12	13	14	15	16								24			27	28	29	30								35	36	37	38	39	40	7-1924170-1	G	
1	2					7	8	9	10	11	12	13	14	15	16					21	22					27	28	29	30								35	36	37	38	39	40	7-1924170-2	G	
1	2					7	8	9	10	11	12	13	14	15	16					21	22				24			27	28	29	30						35	36	37	38	39	40	7-1924170-3	G	
										11	12																																	7-1924170-4	G
1	2									11	12	13	14	15	16																												7-1924170-5	G	
										11	12									19	20																					7-1924170-7	G		
										11	12									19	20																					7-1924170-8	G		
						7	8	9	10	11	12									19	20																					7-1924170-9	G		
						7	8	9	10	11	12									19	20																					8-1924170-0	G		
						7	8	9	10	11	12									19	20																					8-1924170-1	G		
										9	10	11	12					17	18	19	20	21	22			24		26								33	34					8-1924170-2	G		
				5	6	7	8	9	10	11	12	13	14	15	16																											8-1924170-3	G		
			3	4	5	6	7	8	9	10	11	12	13	14	15	16				19	20																				8-1924170-4	G			
						7	8	9	10	11	12	13	14	15	16				19	20																						8-1924170-5	G		
1	2					7	8	9	10	11	12	13	14	15	16				17	18				21	22		25	26	27	28	29	30	31	32	33	34	35	36	37	38	8-1924170-6	G			
1	2					7	8	9	10			13	14	15	16								21	22		24											35	36	37	38	8-1924170-7	G			
1	2					7	8	9	10			13	14	15	16								21	22		24			27	28	29	30					35	36	37	38	8-1924170-8	G			
1	2	3	4			7	8	9	10	11	12		14	15					17	18			21	22		24		25	26	27	28	29	30	31	32	33	34	35	36	37	38	8-1924170-9	G		
1	2	3	4			7	8	9	10	11	12		14	15					17	18			21	22	23	24	25	26	27	28	29	30	31	32	33	34	35	36	37	38	9-1924170-0	G			
1	2	3	4	5	6	7	8	9	10	11	12	13	14	15	16								21	22		24			27	28	29	30						35	36	37	38	9-1924170-1	G		
			3	4	5	6					11	12																												35	36	37	38	9-1924170-2	G
						7	8	9	10	11	12																													35	36	37	38	9-1924170-3	G
										11	12																													35	36	37	38	9-1924170-4	G
			3	4	5	6					11	12								19	20																			39	40	9-1924170-5	G		
1	2	3	4	5	6	7	8	9	10	11	12	13	14	15	16				19	20	21	22	23	24		26	27	28	29	30						35	36	37	38	39	40	9-1924170-6	G		
						7	8	9	10	11	12	13	14	15	16					19	20																						9-1924170-7	G	
			3	4	5	6	7	8	9	10	11	12	13	14	15	16				19	20																					9-1924170-8	G		
			3	4	5	6	7	8	9	10	11	12	13	14	15	16				19	20																					9-1924170-9	G		
						7	8	9	10	11	12	13	14	15	16					19	20																					0-1924171-1	G		
										11	12									19	20																					0-1924171-2	G		
			3	4	5	6	7	8	9	10	11	12								19	20																			39	40	0-1924171-3	G		
						7	8	9	10	11	12																															0-1924171-4	G		
										11	12																															0-1924171-5	G		
1	2	3	4	5	6	7	8	9	10	11	12	13	14	15	16							21	22		24												35	36	37	38	39	40	0-1924171-6	G	
						7	8	9	10	11	12																															0-1924171-7	G		
										11	12	13	14	15	16																											0-1924171-8	G		
1	2	3	4	5	6	7	8	9	10	11	12	13	14	15	16				19	20	21	22	23	24		26	27	28	29	30						35	36	37	38		40	0-1924171-9	G		
1	2	3	4	5	6	7	8	9	10	11	12	13	14	15	16				19	20	21				24		26	27	28	29	30						35	36	37	38	39	40	1-1924171-0	G	

<small>THE DIMENSIONS SHOWN ARE UNLESS OTHERWISE SPECIFIED IN THIS DRAWING TO CHANGE TO THE DIMENSIONS SHOWN IN THE DRAWING TO BE MANUFACTURED.</small>		DWN: A. HOLT 14NOV2006 CHK: W. WELLINSKY 14NOV2006 APVD: W. WELLINSKY 14NOV2006	Tyco Electronics Harrisburg, PA 17105-3608
DIMENSIONS: mm 	TOLERANCES UNLESS OTHERWISE SPECIFIED: 0 PLC ±.3 1 PLC ±.3 2 PLC ±.10 3 PLC ±.1 4 PLC ±.1 ANGLES ±.1° FINISH -	PRODUCT SPEC: APPLICATION SPEC: WEIGHT: CUSTOMER DRAWING	NAME: 40 WAY SHORTING BAR ARM PLUG ASSEMBLY WITHOUT SHORTING BARS LOADED SIZE: A1 CASE CODE: 00779 DRAWING NO: 1924170 SCALE: 3:1 SHEET: 4 OF 5 REV: F

LOC	QTY	REV	DATE	BY	APPV
FX	00				

PIN OUT CHART

BLANK CAVITIES INDICATE OPEN TERMINAL HOLE POSITIONS

CAVITIES WITH A NUMERIC SYMBOL INDICATE CLOSED TERMINAL HOLE POSITIONS

TERMINAL HOLE POSITION																																								ASSEMBLY PART NUMBER	KEYING OPTION							
1	2	3	4	5	6	7	8	9	10	11	12	13	14	15	16	17	18	19	20	21	22	23	24	25	26	27	28	29	30	31	32	33	34	35	36	37	38	39	40									
											11	12																													0-1924172-1	G						
1	2	3	4	5	6	7	8	9	10	11	12	13	14	15	16	17	18			21	22																					0-1924172-2	G					
			3	4	5	6	7	8	9	10	11	12	13	14	15	16																											0-1924172-3	G				
							7	8	9	10	11	12	13	14	15	16																												0-1924172-4	G			
							7	8	9	10	11	12																																	0-1924172-5	G		
1	2	3	4	5	6	7	8	9	10	11	12	13	14	15	16					21	22																							0-1924172-6	G			
							7	8	9	10	11	12					17	18																											0-1924172-7	G		
							7	8	9	10	11	12	13	14	15	16	17	18																											0-1924172-8	G		
1	2	3	4	5	6	7	8	9	10	11	12	13	14	15	16					21	22																								0-1924172-9	G		
							7	8	9	10	11	12																																		1-1924172-0	G	
							7	8	9	10	11	12	13	14	15	16																														1-1924172-1	G	
1	2	3	4	5	6	7	8	9	10	11	12	13	14	15	16					19	20	21	22	23	24																				1-1924172-2	G		
1	2					7	8	9	10	11	12										21	22																								1-1924172-3	G	
			3	4	5	6					11	12																																			1-1924172-4	G
			3	4	5	6																																									1-1924172-5	G
			3	4	5	6					11	12																																			1-1924172-6	G

PIN OUT CHART

BLANK CAVITIES INDICATE OPEN TERMINAL HOLE POSITIONS

CAVITIES WITH A NUMERIC SYMBOL INDICATE CLOSED TERMINAL HOLE POSITIONS

TERMINAL HOLE POSITION																																								ASSEMBLY PART NUMBER	KEYING OPTION										
1	2	3	4	5	6	7	8	9	10	11	12	13	14	15	16	17	18	19	20	21	22	23	24	25	26	27	28	29	30	31	32	33	34	35	36	37	38	39	40												
							7	8	9	10	11	12								19	20																											0-1924173-1	H		
				5	6	7	8	9	10	11	12	13	14	15	16					19	20																											0-1924173-2	H		
												13	14	15	16																																		0-1924173-3	H	
1	2	3	4							9	10	11	12	13	14	15	16				21	22																										0-1924173-4	H		
1	2	3	4	5	6	7	8	9	10	11	12	13	14	15	16					21	22	23	24	25	26	27	28	29	30	31	32	33	34														0-1924173-5	H			
											9	10	11	12																																			0-1924173-6	H	
							7	8	9	10	11	12																																					0-1924173-7	H	
							7	8	9	10	11	12																																					0-1924173-8	H	
1	2	3	4	5	6	7	8	9	10	11	12	13	14	15	16					20	21	22																										0-1924173-9	H		
1	2	3	4	5	6	7	8	9	10	11	12	13	14	15	16					21	22																											1-1924173-0	H		
1	2	3	4	5	6	7	8	9	10	11	12	13	14	15	16					21	22																											1-1924173-1	H		
1	2	3	4	5	6	7	8	9	10	11	12	13	14	15	16					21	22																											1-1924173-2	H		
											9	10	11	12																																				1-1924173-3	H
1	2					7	8	9	10	11	12	13	14	15	16					21	22																												1-1924173-4	H	
1	2	3	4	5	6	7	8	9	10	11	12	13	14	15	16					21	22																												1-1924173-5	H	
1	2	3	4	5	6	7	8	9	10	11	12	13	14	15	16					21	22																												1-1924173-6	H	
1	2					7	8	9	10	11	12	13	14	15	16					21	22																												1-1924173-7	H	
1	2	3	4	5	6	7	8	9	10	11	12	13	14	15	16					21		23																										1-1924173-8	H		
			3	4	5	6					11	12																																					1-1924173-9	H	
			3	4	5	6					11	12																																					2-1924173-0	H	
			3	4	5	6					11	12																																					2-1924173-1	H	

<small>THIS DRAWING IS UNPUBLISHED. RELEASED FOR PUBLICATION APRIL 20, 2002. ALL RIGHTS RESERVED.</small>		DWN: A. HOLT 14NOV2006 CHK: W. WELLINSKY 14NOV2006 APVD: W. WELLINSKY 14NOV2006	Tyco Electronics Harrisburg, PA 17105-3608
DIMENSIONS: mm	TOLERANCES UNLESS OTHERWISE SPECIFIED: 0 PLC ±0.3 1 PLC ±0.10 3 PLC ±0.10 4 PLC ±0.10 ANGLES ±0.5°	PRODUCT SPEC: APPLICATION SPEC: WEIGHT: - CUSTOMER DRAWING	NAME: 40 WAY SHORTING BAR ARM PLUG ASSEMBLY WITHOUT SHORTING BARS LOADED SIZE: A1 CASE CODE: 00779 DRAWING NO: 1924170 SCALE: 3:1 SHEET: 5 OF 5 REV: F

# Mouser Electronics

Authorized Distributor

Click to View Pricing, Inventory, Delivery & Lifecycle Information:

[TE Connectivity:](#)

[9-1924170-2](#)