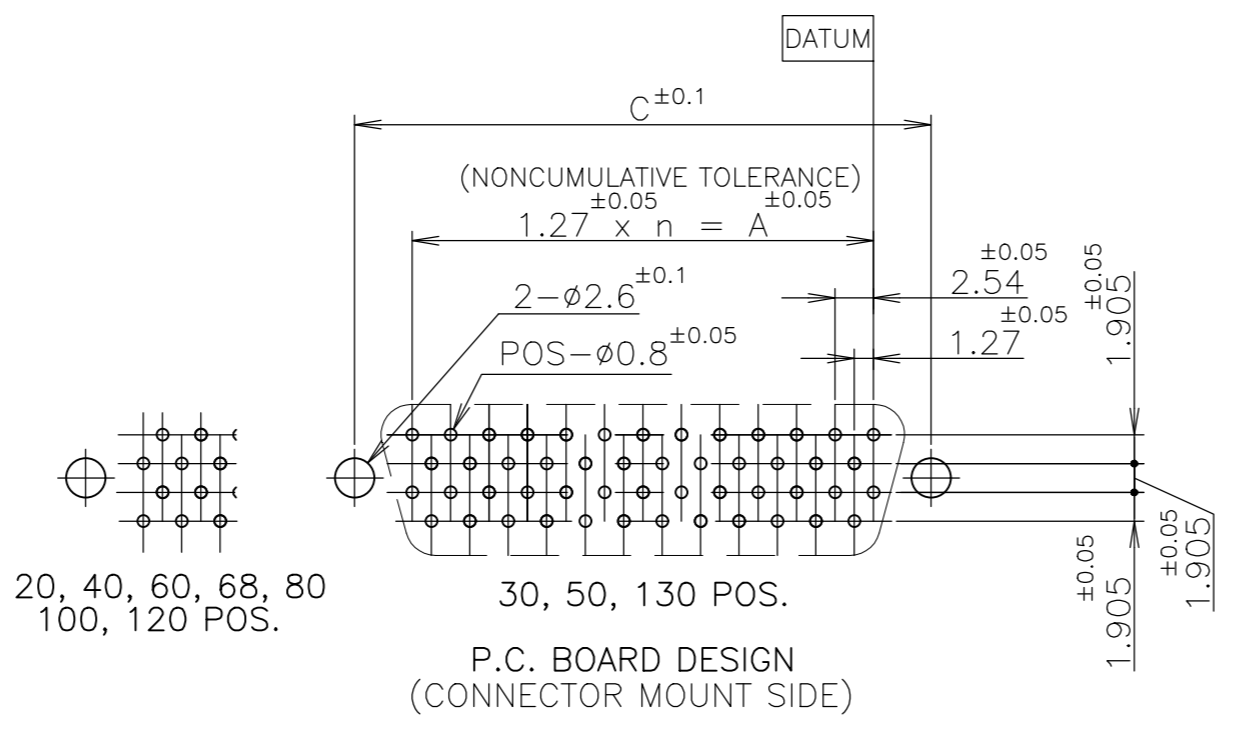
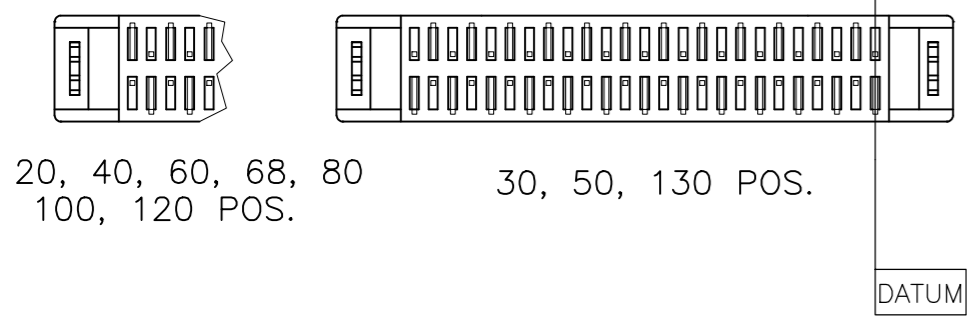
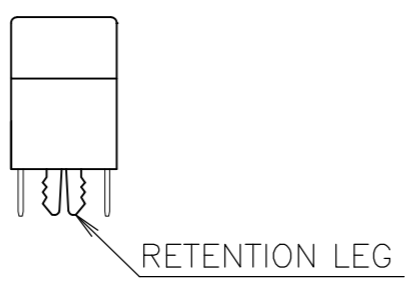
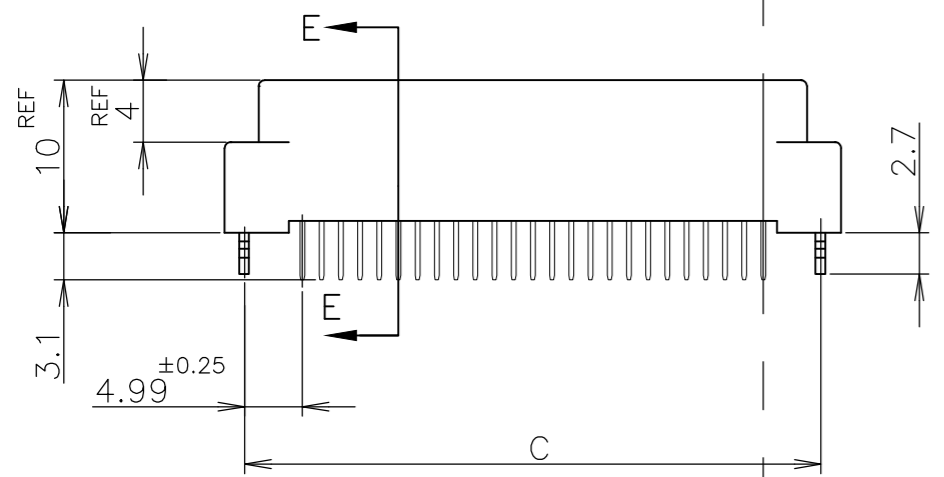
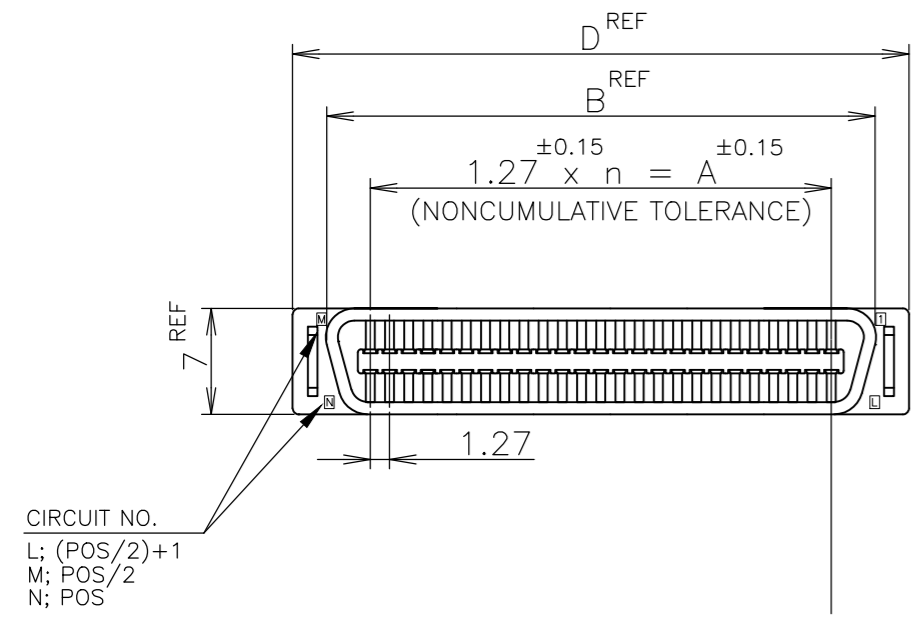
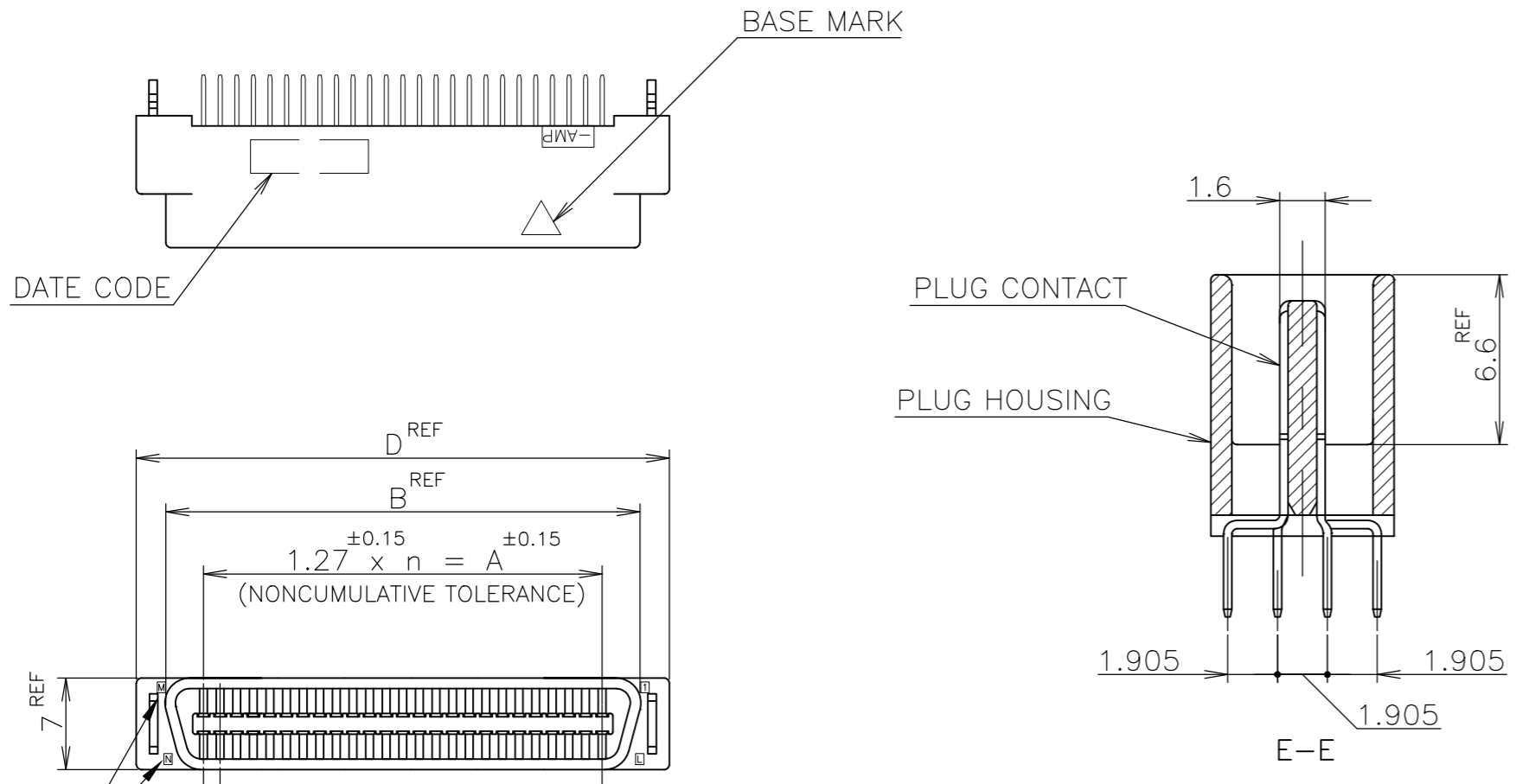


REVISIONS					
P	LTR	DESCRIPTION	DATE	DWN	APVD
C		REVISED PER ECO-17-008763	22JAN2018	RG	SH

- 1 NUMBER "n" S COUNTED FROM DATUM (CIRCUIT NO.1 IS "AMP" MARK SIDE.)
- 2 MATERIAL: HOUSING; 66 NYLON (GF) UL 94V-0, BLACK.
: CONTACT; PHOSPHOR BRONZE.
: RETENTION LEG; BRASS.
- 3 FINISH: CONTACT; Au AT CONTACT AREA (SEE TABLE),
TIN AT TINE OVER Ni.
RETENTION LEG; TIN UNDER Ni.



LEAD FREE

6-	-2		130	64	81.28	89.62	91.25	93.90
6-	-1		120	59	74.93	83.27	84.90	87.55
6-	-0		100	49	62.23	70.57	72.20	74.85
5-	-9		80	39	49.53	57.87	59.50	62.15
5-	-8		68	33	41.91	50.25	51.88	54.53
5-	-7		60	29	36.83	45.17	46.80	49.45
5-	-6		50	24	30.48	38.82	40.45	43.10
5-	-5		40	19	24.13	32.47	34.10	36.75
OBSOLETE	5-	-3	30	14	17.78	26.12	27.75	30.40
5-	-1	0.00076	20	9	11.43	19.77	21.40	24.05
OBSOLETE	4-	-2	130	64	81.28	89.62	91.25	93.90
OBSOLETE	4-	-1	120	59	74.93	83.27	84.90	87.55
4-	-0		100	49	62.23	70.57	72.20	74.85
3-	-9		80	39	49.53	57.87	59.50	62.15
3-	-8		68	33	41.91	50.25	51.88	54.53
3-	-7		60	29	36.83	45.17	46.80	49.45
OBSOLETE	3-	-6	50	24	30.48	38.82	40.45	43.10
3-	-5		40	19	24.13	32.47	34.10	36.75
3-	-3		30	14	17.78	26.12	27.75	30.40
3-	-1	0.0005	20	9	11.43	19.77	21.40	24.05
OBSOLETE	1-	-2	130	64	81.28	89.62	91.25	93.90
1-	-1		120	59	74.93	83.27	84.90	87.55
1-	-0		100	49	62.23	70.57	72.20	74.85
OBSOLETE		-9	80	39	49.53	57.87	59.50	62.15
		-8	68	33	41.91	50.25	51.88	54.53
		-7	60	29	36.83	45.17	46.80	49.45
		-6	50	24	30.48	38.82	40.45	43.10
		-5	40	19	24.13	32.47	34.10	36.75
		-3	30	14	17.78	26.12	27.75	30.40
5175473-1	0.0002		20	9	11.43	19.77	21.40	24.05
PART NO.	Au PLATE	POS.	n	A	B	C	D	

THIS DRAWING IS A CONTROLLED DOCUMENT.

DWN: Julyee Zhu 19AUG2004	NAME: Steven Yao	TE Connectivity Ltd.
CHK: Steven Yao 19AUG2004	APVD: Ikuo Enomoto 19AUG2004	AMP CHAMP .050 CONNECTOR (B-T-B) PLUG CONNECTOR (VERTICAL WITH RETENTION LEG)
MATERIAL: 2	FINISH: 3	108-60038
DIMENSIONS: mm	TOLERANCES UNLESS OTHERWISE SPECIFIED:	108-60038
0 PLC ±	1 PLC ±	108-60038
1 PLC ±	2 PLC ±	108-60038
2 PLC ±	3 PLC ±	108-60038
3 PLC ±	4 PLC ±	108-60038
4 PLC ±	ANGLES ±	108-60038
GENERAL TOLERANCE		WEIGHT: 0.000000
10 ≥ : ±0.2		CUSTOMER DRAWING
30 > 10: ±0.25		SCALE: NTS
100 ≥ > 30: ±0.3		SHEET: 1 OF 1
ANGLES: ±3'		REV: C

Mouser Electronics

Authorized Distributor

Click to View Pricing, Inventory, Delivery & Lifecycle Information:

[TE Connectivity:](#)

[5-5175473-6](#)