

Series 04

Versatile. Robust and reliable.

<https://eao.com/04>



04 Information about the Series

Key advantages

- Versatile and reliable range of products
- Ideal for driver's cabs
- Modern and robust design
- Safe and ergonomically friendly in use
- Pronounced tactile feedback
- Customised and standardised markings

Typical application areas

- Driver's desks
- Control panels
- Control cabinets
- Special vehicles
- Machinery

Functions

- Pushbutton
- Illuminated pushbutton
- Mushroom-head pushbutton
- Selector switch
- Keylock switch
- Key insert switch
- Lever switch
- Indicator
- Potentiometer
- Stop switch
- Emergency stop switch

Design

- Flush
- Raised

IP front protection

- IP40
- IP54
- IP65
- IP67

Rating

- 500 VAC (10 A)

Mounting cut-outs

- Ø 22.3 mm
- Ø 30.5 mm
- 30 mm x 30 mm

Terminal

- Plug-in terminal
- Double plug-in terminal
- Screw terminal
- Push-in terminal (PIT)

Lens Material

- Aluminium
- Stainless steel
- Plastic

Markings

- Engraving
- Hot stamping
- Pad printing
- Screen print
- Under eloxal printing

Approvals

- CB (IEC 60947)
- CCC
- CSA
- DNV GL (previously Germanischer Lloyd)
- GOST
- NFF 16-102
- UL

Conformities

- CE
- EN 45545
- ECE R 118
- 2006/42/EU (MD)
- 2011/65/EU (RoHS)
- REACH



Flush design

Pushbutton square	52	01
Pushbutton round	54	02
Pushbutton square	56	03
Pushbutton round	57	04
Illuminated pushbutton square	58	09
Illuminated pushbutton round	60	14
Illuminated pushbutton square	62	17
Illuminated pushbutton round	63	18
Mushroom-head pushbutton	64	19
Selector switch illuminated, 2 positions, short lever, square	65	22
Selector switch illuminated 2 positions short lever, round	66	31
Selector switch 2 positions short lever, square	67	41
Selector switch 2 positions, short lever, round	68	45
Selector switch 2 positions, short lever, square	69	51
Selector switch 2 positions, short lever, round	70	56
Selector switch illuminated, 2 positions, long lever, square	71	57
Selector switch illuminated, 2 positions, long lever, round	72	61
Selector switch 2 positions, long lever, square	73	70
Selector switch 2 positions, long lever, round	74	71
Selector switch 2 positions, 12 o'clock, long lever, square	75	82
Selector switch 2 positions, long lever, round	76	84
Selector switch illuminated, 3 positions, short lever, square	77	92
Selector switch illuminated, 3 positions, short lever, round	79	96
Selector switch 3 positions, short lever, square	81	
Selector switch 3 positions, short lever, round	82	
Selector switch illuminated, 3 positions, long lever, square	83	
Selector switch illuminated, 3 positions long lever, round	85	
Selector switch 3 positions, long lever, square	87	
Selector switch 3 positions, long lever, round	88	
Selector rotary switch, short lever rounded, round	89	
Selector rotary switch, short lever, square	90	
Selector rotary switch short lever, round	91	
Selector rotary switch, long lever rounded, round	92	
Selector rotary switch long lever, square	93	
Selector rotary switch long lever, round	94	
Keylock switch 2 positions, square	95	
Keylock switch 2 positions, round	96	
Keylock switch 3 positions, square	97	
Keylock switch 3 positions, round	99	
Keylock rotary switch	100	
Key-insert switch 2 positions	101	
Key-insert switch 3 positions	102	
Key-insert switch 3 positions, conductor switch	103	
Lever switch	104	
Indicator square	105	
Indicator round	106	
Indicator square	107	
Indicator round	108	
Flasher without LED square	109	
Flasher without LED round	111	
Flasher square	112	

04 Index

Flush design

01	Flasher round	113
	Buzzer	114
02	Potentiometer	115
	Stop switch	116

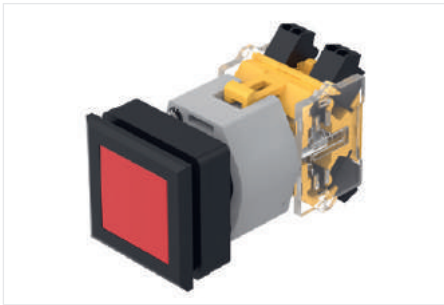
Raised design

	Pushbutton square	117
	Pushbutton round	119
04	Pushbutton square	122
	Pushbutton round	123
09	Illuminated pushbutton square	124
	Illuminated pushbutton round	126
14	Illuminated pushbutton square	128
	Illuminated pushbutton round	129
17	Mushroom-head pushbutton	130
	Mushroom-head pushbutton illuminated	132
18	Selector switch illuminated, 2 positions, short lever, square	133
	Selector switch illuminated, 2 positions, short lever, round	134
19	Selector switch 2 positions, short lever, square	135
	Selector switch 2 positions, short lever, round	136
22	Selector switch 2 positions, short lever, square	137
	Selector switch 2 positions, short lever, round	138
31	Selector switch illuminated, 2 positions, long lever, square	139
	Selector switch illuminated, 2 positions, long lever, round	140
41	Selector switch 2 positions, long lever, square	141
	Selector switch 2 positions, long lever, round	142
45	Selector switch 2 positions, long lever, square	143
	Selector switch 2 positions, long lever, round	144
51	Selector switch illuminated, 3 positions, short lever, square	145
	Selector switch illuminated, 3 positions, short lever, round	147
56	Selector switch 3 positions, short lever, square	149
	Selector switch 3 positions, short lever, round	150
57	Selector switch illuminated, 3 positions, long lever, square	151
	Selector switch illuminated, 3 positions, long lever, round	153
61	Selector switch 3 positions, long lever, square	155
	Selector switch 3 positions, long lever, round	156
70	Selector rotary switch, short lever, rounded, square	157
	Selector rotary switch, short lever rounded, round	158
71	Selector rotary switch, short lever, square	159
	Selector rotary switch, short lever, round	160
82	Selector rotary switch, long lever rounded, square	161
	Selector rotary switch, long lever rounded, round	162
84	Selector rotary switch, long lever, square	163
	Selector rotary switch, long lever, round	164
92	Keylock switch 2 positions, square	165
	Keylock switch 2 positions, round	166
96	Keylock switch 3 positions, square	167
	Keylock switch 3 positions, round	168
	Indicator full-face illumination compact, round	169
	Indicator full-face illumination compact, round	171
	Indicator full-face illumination, square	172
	Indicator full-face illumination, round	173

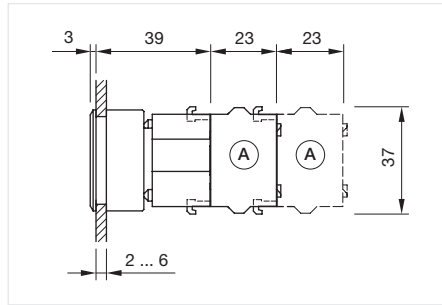
Raised design	
Indicator full-face illumination, square	174
Indicator full-face illumination, round	175
Indicator front illumination, square	176
Indicator front illumination, round	178
Indicator front illumination, square	180
Indicator front illumination, round	181
Flasher full-face illumination, square	182
Flasher full-face illumination, round	183
Flasher full-face illumination, square	185
Flasher full-face illumination, round	186
Flasher front illumination, square	187
Flasher front illumination, round	189
Flasher front illumination, square	191
Flasher front illumination, round	192
Buzzer	193
Potentiometer	194
Stop switch Ø 37 mm	195
Stop switch Ø 40 mm	196
Emergency stop switch, foolproof EN IEC 60974-5-5	197
Emergency call switch	198
Components	199
Accessories	237
Technical data	250
Marking	263
Application guidelines	269

04 Flush design

Pushbutton square, IP65



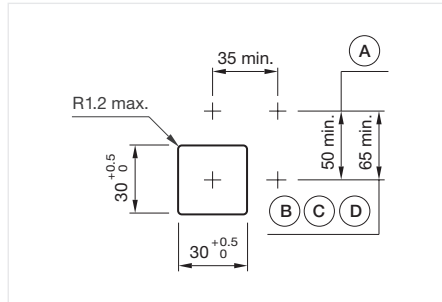
Product can differ from the current configuration.



Dimensions [mm]
A = Screw terminal

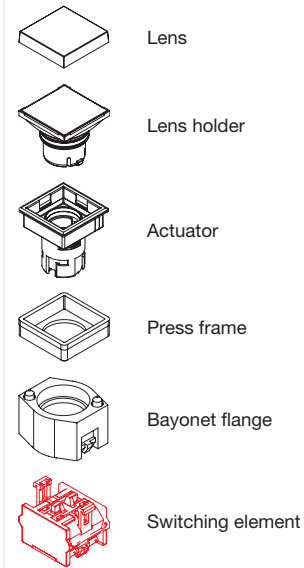
General information

- Max. 3 switching elements can be clipped on



Mounting cut-outs [mm]
A = Screw terminal
B = Push-in terminal (PIT)
C = Plug-in terminal 6.3 mm x 0.8 mm
D = Double plug-in terminal 6.3 mm x 0.8 mm

Equipment consisting of (schematic overview)



Page 213

Each Part Number listed below includes all the black components shown in the 3D-drawing.

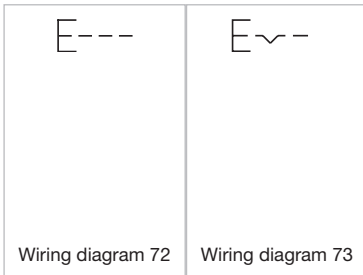
To obtain a complete unit, please select the red components from the pages shown.



Actuator, Front dimension 35 mm x 35 mm

Switching action	Front bezel colour	Front bezel material	Lens colour	Lens material	Housing colour	Housing material	Part No.	Wiring diagram
Momentary	Black	Plastic	Black	Plastic	Black	Plastic	704.209.000	72
	Black	Plastic	Red	Plastic	Black	Plastic	704.209.200	72
	Black	Plastic	Yellow	Plastic	Black	Plastic	704.209.400	72
	Black	Plastic	Green	Plastic	Black	Plastic	704.209.500	72
	Black	Plastic	Blue	Plastic	Black	Plastic	704.209.600	72
	Black	Plastic	Colourless	Plastic	Black	Plastic	704.209.700	72
	Silver	Plastic	Black	Plastic	Black	Plastic	704.210.008	72
	Silver	Plastic	Red	Plastic	Black	Plastic	704.210.208	72
	Silver	Plastic	Yellow	Plastic	Black	Plastic	704.210.408	72
	Silver	Plastic	Green	Plastic	Black	Plastic	704.210.508	72
	Silver	Plastic	Blue	Plastic	Black	Plastic	704.210.608	72
	Silver	Plastic	Colourless	Plastic	Black	Plastic	704.210.708	72
Maintained	Black	Plastic	Red	Plastic	Black	Plastic	704.239.200	73
	Black	Plastic	Yellow	Plastic	Black	Plastic	704.239.400	73
	Black	Plastic	Blue	Plastic	Black	Plastic	704.239.600	73
	Black	Plastic	Colourless	Plastic	Black	Plastic	704.239.700	73
	Silver	Plastic	Red	Plastic	Black	Plastic	704.240.208	73
	Silver	Plastic	Yellow	Plastic	Black	Plastic	704.240.408	73
	Silver	Plastic	Green	Plastic	Black	Plastic	704.240.508	73
	Silver	Plastic	Colourless	Plastic	Black	Plastic	704.240.708	73

Wiring diagrams



01

02

03

04

09

14

17

18

19

22

31

41

45

51

56

57

61

70

71

82

84

92

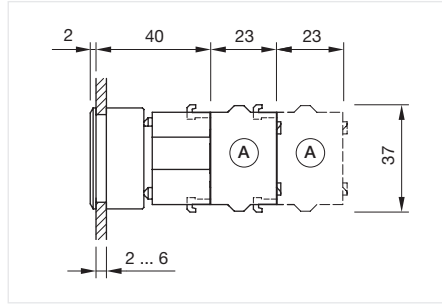
96

04 Flush design

Pushbutton round, IP65



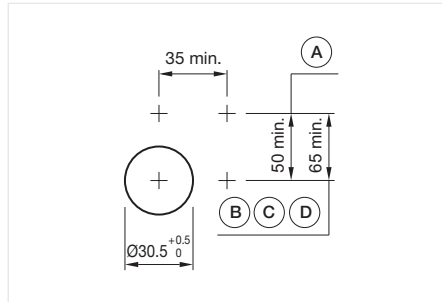
Product can differ from the current configuration.



Dimensions [mm]
A = Screw terminal

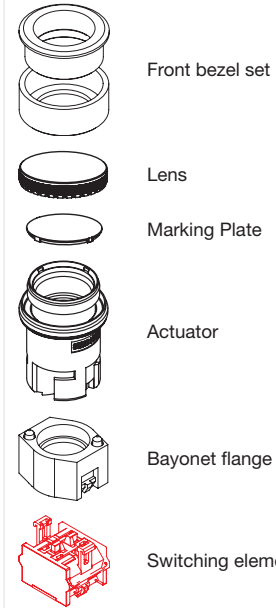
General information

- Max. 3 switching elements can be clipped on
- The colour of anodised aluminium parts can vary due to technical production reasons



Mounting cut-outs [mm]
A = Screw terminal
B = Push-in terminal (PIT)
C = Plug-in terminal 6.3 mm x 0.8 mm
D = Double plug-in terminal 6.3 mm x 0.8 mm

Equipment consisting of (schematic overview)



Each Part Number listed below includes all the black components shown in the 3D-drawing.

To obtain a complete unit, please select the red components from the pages shown.

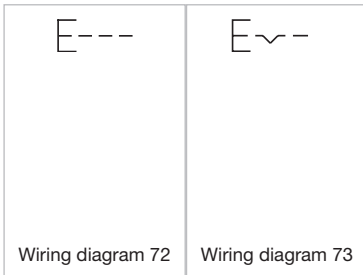
Page 213



Actuator, Front dimension Ø 35 mm

Switching action	Front bezel colour	Front bezel material	Front bezel surface	Lens colour	Lens material	Housing colour	Housing material	Part No.	Wiring diagram
Momentary	Nature	Aluminium	anodised	Black	Aluminium	Grey	Plastic	704.011.018	72
	Nature	Aluminium	anodised	Red	Aluminium	Grey	Plastic	704.011.218	72
	Nature	Aluminium	anodised	Gold	Aluminium	Grey	Plastic	704.011.418	72
	Nature	Aluminium	anodised	Olive green	Aluminium	Grey	Plastic	704.011.518	72
	Nature	Aluminium	anodised	Blue	Aluminium	Grey	Plastic	704.011.618	72
	Nature	Aluminium	anodised	Nature	Aluminium	Grey	Plastic	704.011.818	72
	Nature	Aluminium	anodised	Black	Plastic	Grey	Plastic	704.012.018	72
	Nature	Aluminium	anodised	Red	Plastic	Grey	Plastic	704.012.218	72
	Nature	Aluminium	anodised	Yellow	Plastic	Grey	Plastic	704.012.418	72
	Nature	Aluminium	anodised	Green	Plastic	Grey	Plastic	704.012.518	72
	Nature	Aluminium	anodised	Blue	Plastic	Grey	Plastic	704.012.618	72
	Nature	Aluminium	anodised	Colourless	Plastic	Grey	Plastic	704.012.718	72
	Maintained	Nature	Aluminium	anodised	Black	Plastic	Grey	Plastic	704.042.018
Nature		Aluminium	anodised	Red	Plastic	Grey	Plastic	704.042.218	73
Nature		Aluminium	anodised	Yellow	Plastic	Grey	Plastic	704.042.418	73
Nature		Aluminium	anodised	Green	Plastic	Grey	Plastic	704.042.518	73
Nature		Aluminium	anodised	Blue	Plastic	Grey	Plastic	704.042.618	73
Nature		Aluminium	anodised	Colourless	Plastic	Grey	Plastic	704.042.718	73

Wiring diagrams



01

02

03

04

09

14

17

18

19

22

31

41

45

51

56

57

61

70

71

82

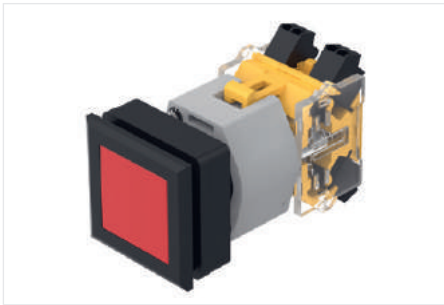
84

92

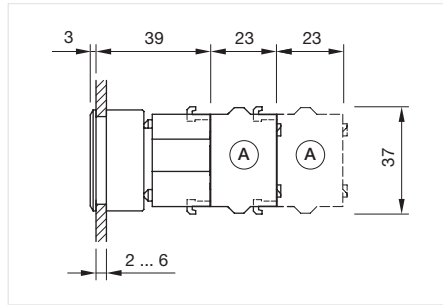
96

04 Flush design

Pushbutton square, IP65



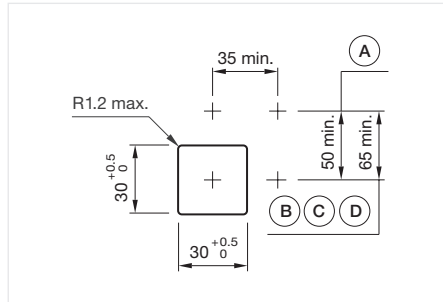
Product can differ from the current configuration.



Dimensions [mm]
A = Screw terminal

General information

- Max. 3 switching elements can be clipped on



Mounting cut-outs [mm]
A = Screw terminal
B = Push-in terminal (PIT)
C = Plug-in terminal 6.3 mm x 0.8 mm
D = Double plug-in terminal 6.3 mm x 0.8 mm

Equipment consisting of (schematic overview)

	Lens	Page 199
	Lens holder	Page 201
	Actuator	
	Press frame	
	Bayonet flange	Page 203
	Switching element	Page 213

Each Part Number listed below includes all the black components shown in the 3D-drawing.

To obtain a complete unit, please select the red components from the pages shown.



Actuator, Front dimension 35 mm x 35 mm

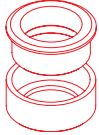



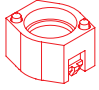
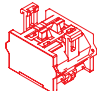
Switching action	Front bezel colour	Front bezel material	Housing colour	Housing material	Part No.	Wiring diagram
Momentary	Black	Plastic	Black	Plastic	704.741.0	72
	Silver	Plastic	Black	Plastic	704.741.8	72
Maintained	Black	Plastic	Black	Plastic	704.742.0	73
	Silver	Plastic	Black	Plastic	704.742.8	73

Wiring diagrams

Wiring diagram 72	Wiring diagram 73

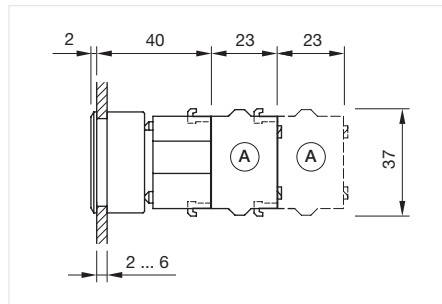
Pushbutton round, IP65

Equipment consisting of (schematic overview)

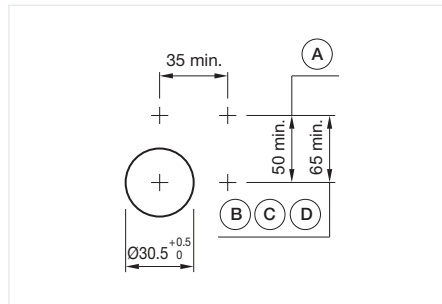
	Front bezel set	Page 202
	Lens	Page 199
	Marking Plate	Page 201
	Actuator	
	Bayonet flange	Page 203
	Switching element	Page 213

Each Part Number listed below includes all the black components shown in the 3D-drawing.

To obtain a complete unit, please select the red components from the pages shown.



Dimensions [mm]
A = Screw terminal



Mounting cut-outs [mm]
A = Screw terminal
B = Push-in terminal (PIT)
C = Plug-in terminal 6.3 mm x 0.8 mm
D = Double plug-in terminal 6.3 mm x 0.8 mm



Product can differ from the current configuration.

General information

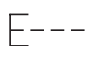
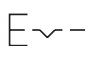
- Max. 3 switching elements can be clipped on
- The colour of anodised aluminium parts can vary due to technical production reasons



Actuator, Front dimension Ø 35 mm

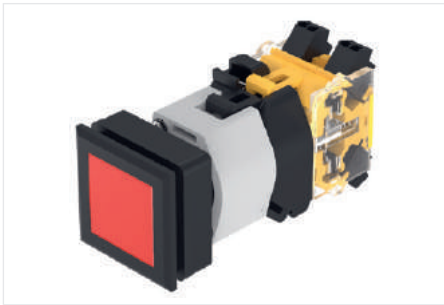
Switching action	Housing colour	Housing material	Part No.	Wiring diagram
Momentary	Grey	Plastic	704.631.1	72
Maintained	Grey	Plastic	704.632.1	73

Wiring diagrams

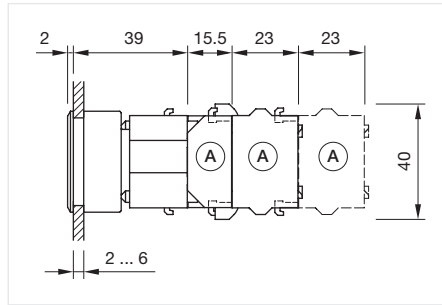
	
Wiring diagram 72	Wiring diagram 73

04 Flush design

Illuminated pushbutton square, IP65



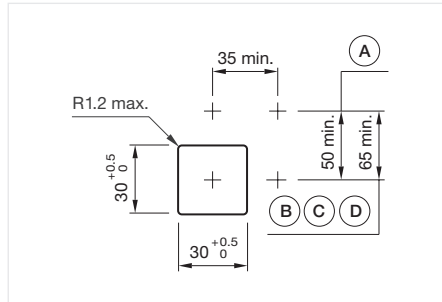
Product can differ from the current configuration.



Dimensions [mm]
A = Screw terminal

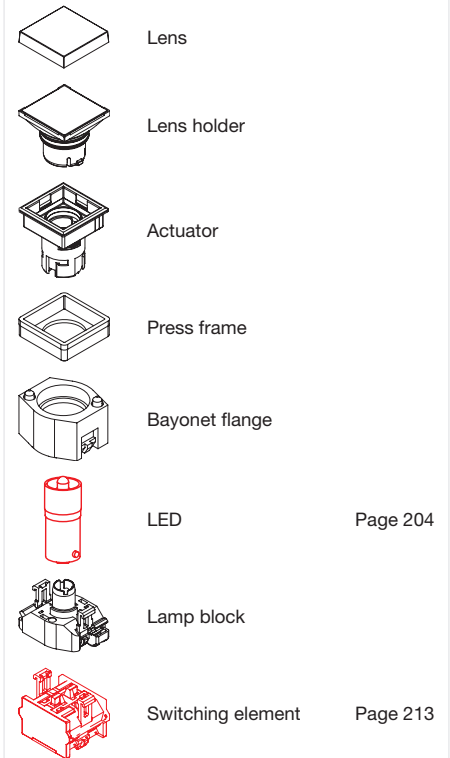
General information

- Max. 3 switching elements can be clipped on
- The lamp block will be delivered with screw terminal



Mounting cut-outs [mm]
A = Screw terminal
B = Push-in terminal (PIT)
C = Plug-in terminal 6.3 mm x 0.8 mm
D = Double plug-in terminal 6.3 mm x 0.8 mm

Equipment consisting of (schematic overview)



Each Part Number listed below includes all the black components shown in the 3D-drawing.

To obtain a complete unit, please select the red components from the pages shown.



Actuator, Front dimension 35 mm x 35 mm

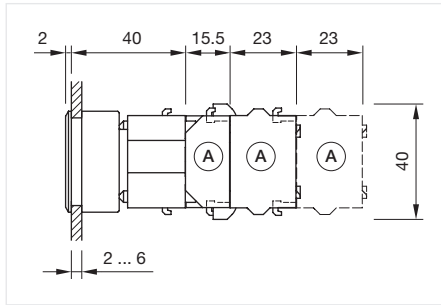
Switching action	Front bezel colour	Front bezel material	Lens colour	Lens material	Housing colour	Housing material	Part No.	Wiring diagram
Momentary	Black	Plastic	Red	Plastic	Black	Plastic	704.229.200	74
	Black	Plastic	Yellow	Plastic	Black	Plastic	704.229.400	74
	Black	Plastic	Green	Plastic	Black	Plastic	704.229.500	74
	Black	Plastic	Blue	Plastic	Black	Plastic	704.229.600	74
	Black	Plastic	Colourless	Plastic	Black	Plastic	704.229.700	74
	Silver	Plastic	Red	Plastic	Black	Plastic	704.230.208	74
	Silver	Plastic	Yellow	Plastic	Black	Plastic	704.230.408	74
	Silver	Plastic	Green	Plastic	Black	Plastic	704.230.508	74
	Silver	Plastic	Blue	Plastic	Black	Plastic	704.230.608	74
	Silver	Plastic	Colourless	Plastic	Black	Plastic	704.230.708	74
Maintained	Black	Plastic	Red	Plastic	Black	Plastic	704.259.200	75
	Black	Plastic	Yellow	Plastic	Black	Plastic	704.259.400	75
	Black	Plastic	Green	Plastic	Black	Plastic	704.259.500	75
	Black	Plastic	Blue	Plastic	Black	Plastic	704.259.600	75
	Black	Plastic	Colourless	Plastic	Black	Plastic	704.259.700	75
	Silver	Plastic	Red	Plastic	Black	Plastic	704.260.208	75
	Silver	Plastic	Yellow	Plastic	Black	Plastic	704.260.408	75
	Silver	Plastic	Green	Plastic	Black	Plastic	704.260.508	75
	Silver	Plastic	Blue	Plastic	Black	Plastic	704.260.608	75
	Silver	Plastic	Colourless	Plastic	Black	Plastic	704.260.708	75

04 Flush design

Illuminated pushbutton round, IP65



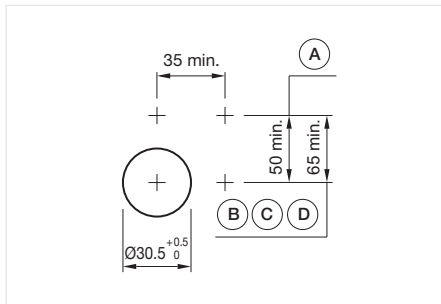
Product can differ from the current configuration.



Dimensions [mm]
A = Screw terminal

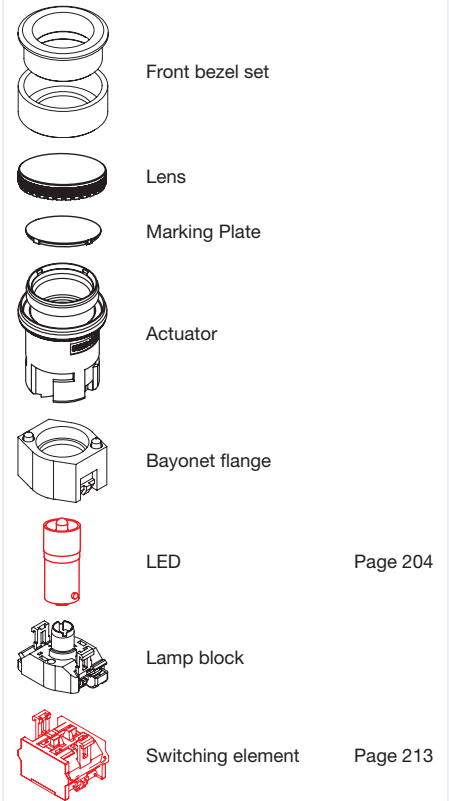
General information

- Max. 3 switching elements can be clipped on
- The lamp block will be delivered with screw terminal
- The colour of anodised aluminium parts can vary due to technical production reasons



Mounting cut-outs [mm]
A = Screw terminal
B = Push-in terminal (PIT)
C = Plug-in terminal 6.3 mm x 0.8 mm
D = Double plug-in terminal 6.3 mm x 0.8 mm

Equipment consisting of (schematic overview)



Page 204

Page 213

Each Part Number listed below includes all the black components shown in the 3D-drawing.

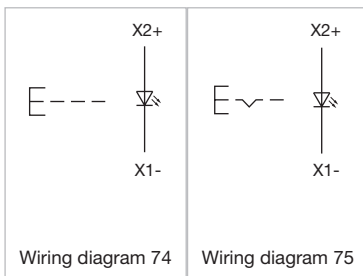
To obtain a complete unit, please select the red components from the pages shown.



Actuator, Front dimension Ø 35 mm

Switching action	Front bezel colour	Front bezel material	Front bezel surface	Lens colour	Lens material	Housing colour	Housing material	Part No.	Wiring diagram
Momentary	Nature	Aluminium	anodised	Red	Plastic	Grey	Plastic	704.032.218	74
	Nature	Aluminium	anodised	Yellow	Plastic	Grey	Plastic	704.032.418	74
	Nature	Aluminium	anodised	Green	Plastic	Grey	Plastic	704.032.518	74
	Nature	Aluminium	anodised	Blue	Plastic	Grey	Plastic	704.032.618	74
	Nature	Aluminium	anodised	Colourless	Plastic	Grey	Plastic	704.032.718	74
Maintained	Nature	Aluminium	anodised	Red	Plastic	Grey	Plastic	704.062.218	75
	Nature	Aluminium	anodised	Yellow	Plastic	Grey	Plastic	704.062.418	75
	Nature	Aluminium	anodised	Green	Plastic	Grey	Plastic	704.062.518	75
	Nature	Aluminium	anodised	Blue	Plastic	Grey	Plastic	704.062.618	75
	Nature	Aluminium	anodised	Colourless	Plastic	Grey	Plastic	704.062.718	75

Wiring diagrams



Modern. Tactile and long-lasting. *Series 04 illuminated selector switches.*

Intuitive and reliable operation for enhanced safety in public transportation.

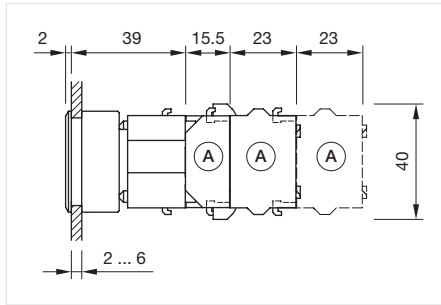
- Bright, single or bi-colour LED illumination
- Modern, ergonomic design
- Rounded edges (in accordance with DIN 5566-1)
- Excellent tactile feedback
- Long service life and robust construction
- Wide range of possible combinations and options

04 Flush design

Illuminated pushbutton square, IP65



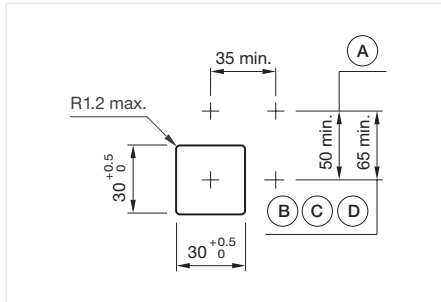
Product can differ from the current configuration.



Dimensions [mm]
A = Screw terminal

General information

- Max. 3 switching elements can be clipped on



Mounting cut-outs [mm]
A = Screw terminal
B = Push-in terminal (PIT)
C = Plug-in terminal 6.3 mm x 0.8 mm
D = Double plug-in terminal 6.3 mm x 0.8 mm

Equipment consisting of (schematic overview)

	Lens	Page 199
	Lens holder	Page 201
	Actuator	
	Press frame	
	Bayonet flange	Page 203
	LED	Page 204
	Lamp block	Page 210
	Switching element	Page 213

Each Part Number listed below includes all the black components shown in the 3D-drawing.

To obtain a complete unit, please select the red components from the pages shown.



Actuator, Front dimension 35 mm x 35 mm

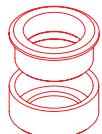



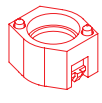
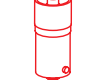
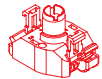
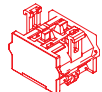
Switching action	Front bezel colour	Front bezel material	Housing colour	Housing material	Part No.	Wiring diagram
Momentary	Black	Plastic	Black	Plastic	704.741.0	72
	Silver	Plastic	Black	Plastic	704.741.8	72
Maintained	Black	Plastic	Black	Plastic	704.742.0	73
	Silver	Plastic	Black	Plastic	704.742.8	73

Wiring diagrams

Wiring diagram 72	Wiring diagram 73

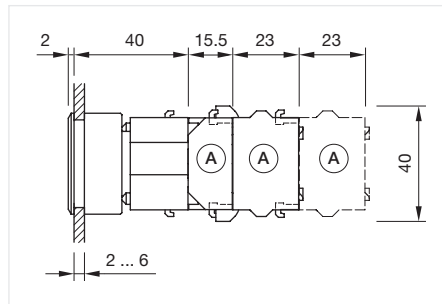
Illuminated pushbutton round, IP65

Equipment consisting of (schematic overview)

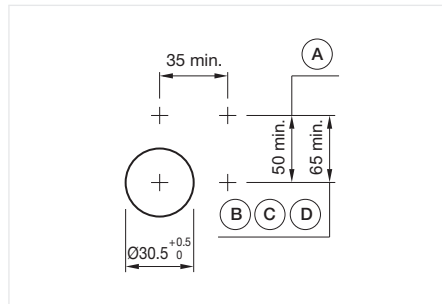
	Front bezel set	Page 202
	Lens	Page 199
	Marking Plate	Page 201
	Actuator	
	Bayonet flange	Page 203
	LED	Page 204
	Lamp block	Page 210
	Switching element	Page 213

Each Part Number listed below includes all the black components shown in the 3D-drawing.

To obtain a complete unit, please select the red components from the pages shown.



Dimensions [mm]
A = Screw terminal



Mounting cut-outs [mm]
A = Screw terminal
B = Push-in terminal (PIT)
C = Plug-in terminal 6.3 mm x 0.8 mm
D = Double plug-in terminal 6.3 mm x 0.8 mm



Product can differ from the current configuration.

General information

- Max. 3 switching elements can be clipped on
- The colour of anodised aluminium parts can vary due to technical production reasons



Actuator, Front dimension Ø 35 mm

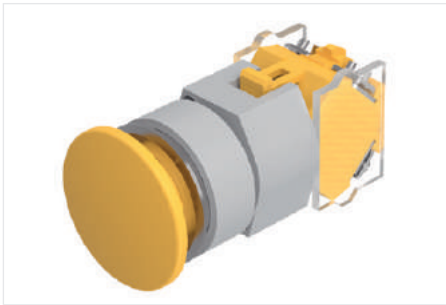
Switching action	Housing colour	Housing material	Part No.	Wiring diagram
Momentary	Grey	Plastic	704.631.1	72
Maintained	Grey	Plastic	704.632.1	73

Wiring diagrams

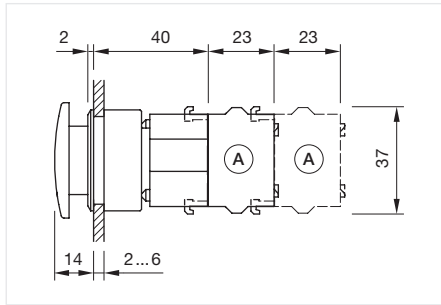
Wiring diagram 72	Wiring diagram 73

04 Flush design

Mushroom-head pushbutton, IP65



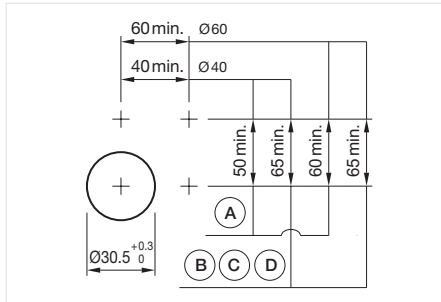
Product can differ from the current configuration.



Dimensions [mm]
A = Screw terminal

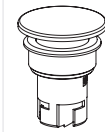
General information

- Max. 3 switching elements can be clipped on
- The colour of anodised aluminium parts can vary due to technical production reasons

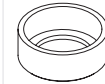


Mounting cut-outs [mm]
A = Screw terminal
B = Push-in terminal (PIT)
C = Plug-in terminal 6.3 mm x 0.8 mm
D = Double plug-in terminal 6.3 mm x 0.8 mm

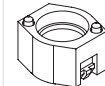
Equipment consisting of (schematic overview)



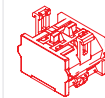
Actuator



Pressure ring



Bayonet flange



Switching element

Page 213

Each Part Number listed below includes all the black components shown in the 3D-drawing.

To obtain a complete unit, please select the red components from the pages shown.



Actuator, Front dimension Ø 40 mm

Switching action	Front bezel colour	Front bezel material	Front bezel surface	Lens colour	Lens material	Housing colour	Housing material	Part No.	Wiring diagram
Momentary	Black	Aluminium	anodised	Red	Plastic	Grey	Plastic	704.071.210	72
	Nature	Aluminium	anodised	Red	Plastic	Grey	Plastic	704.071.218	72
	Black	Aluminium	anodised	Yellow	Plastic	Grey	Plastic	704.071.410	72
	Nature	Aluminium	anodised	Yellow	Plastic	Grey	Plastic	704.071.418	72

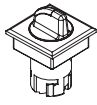
Wiring diagrams

E---

Wiring diagram 72

Selector switch illuminated, 2 positions, short lever, square, IP65

Equipment consisting of (schematic overview)



Actuator



Press frame



Bayonet flange



LED

Page 204



Lamp block

Page 210

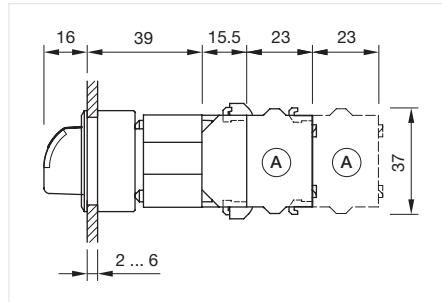


Switching element

Page 213

Each Part Number listed below includes all the black components shown in the 3D-drawing.

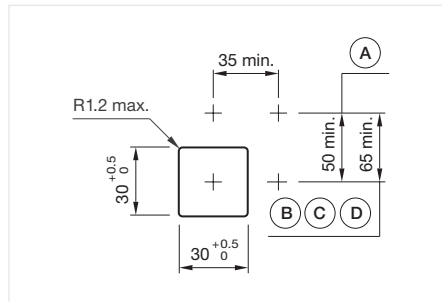
To obtain a complete unit, please select the red components from the pages shown.



Dimensions [mm]
A = Screw terminal



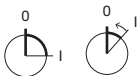
Product can differ from the current configuration.



Mounting cut-outs [mm]
A = Screw terminal
B = Push-in terminal (PIT)
C = Plug-in terminal 6.3 mm x 0.8 mm
D = Double plug-in terminal 6.3 mm x 0.8 mm

General information

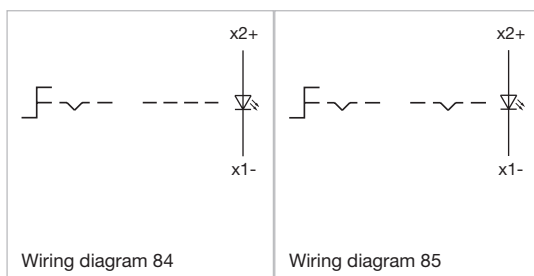
- Max. 3 switching elements can be clipped on



Actuator, Front dimension 35 mm x 35 mm

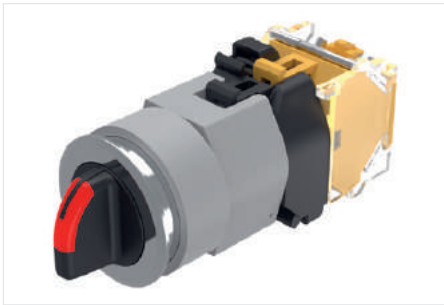
Switching action	Front bezel colour	Front bezel material	Switching angle	Part No.	Wiring diagram
Rest - Maintained	Black	Plastic	90° right	704.510.000I	85
	Silver	Plastic	90° right	704.510.008I	85
Rest - Momentary	Black	Plastic	42° right	704.512.000I	84
	Silver	Plastic	42° right	704.512.008I	84

Wiring diagrams

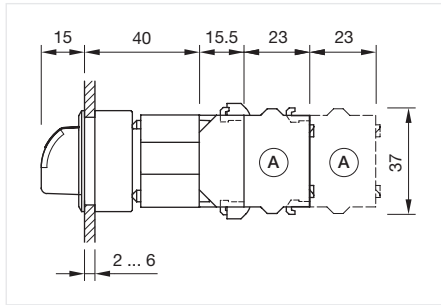


04 Flush design

Selector switch illuminated 2 positions short lever, round, IP65



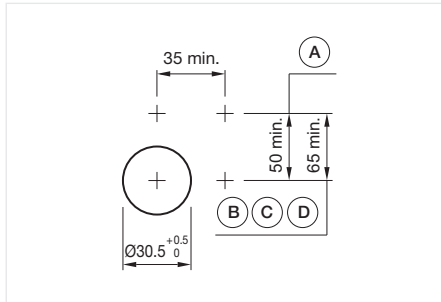
Product can differ from the current configuration.



Dimensions [mm]
X = Screw terminal

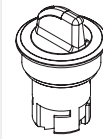
General information

- Max. 3 switching elements can be clipped on
- The colour of anodised aluminium parts can vary due to technical production reasons

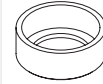


Mounting cut-outs [mm]
A = Screw terminal
B = Push-in terminal (PIT)
C = Plug-in terminal 6.3 mm x 0.8 mm
D = Double plug-in terminal 6.3 mm x 0.8 mm

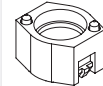
Equipment consisting of (schematic overview)



Actuator



Pressure ring

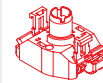


Bayonet flange



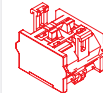
LED

Page 204



Lamp block

Page 210

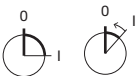


Switching element

Page 213

Each Part Number listed below includes all the black components shown in the 3D-drawing.

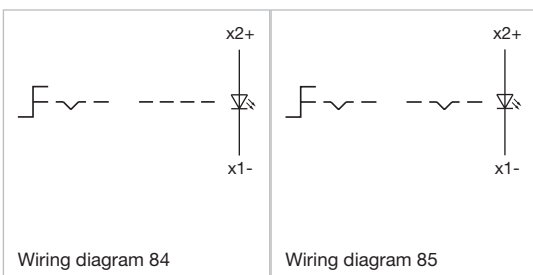
To obtain a complete unit, please select the red components from the pages shown.



Actuator, Front dimension \varnothing 35 mm

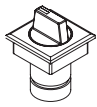
Switching action	Front bezel colour	Front bezel material	Switching angle	Front bezel surface	Part No.	Wiring diagram
Rest - Maintained	Black	Aluminium	90° right	anodised	704.411.010I	85
	Nature	Aluminium	90° right	anodised	704.411.018I	85
Rest - Momentary	Black	Aluminium	42° right	anodised	704.413.010I	84
	Nature	Aluminium	42° right	anodised	704.413.018I	84

Wiring diagrams



Selector switch 2 positions short lever, square, IP65

Equipment consisting of (schematic overview)



Actuator



Press frame



Bayonet flange

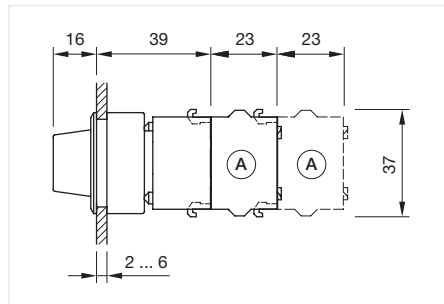


Switching element

Page 213

Each Part Number listed below includes all the black components shown in the 3D-drawing.

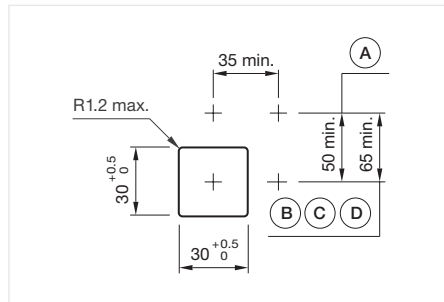
To obtain a complete unit, please select the red components from the pages shown.



Dimensions [mm]
A = Screw terminal



Product can differ from the current configuration.



Mounting cut-outs [mm]
A = Screw terminal
B = Push-in terminal (PIT)
C = Plug-in terminal 6.3 mm x 0.8 mm
D = Double plug-in terminal 6.3 mm x 0.8 mm

General information

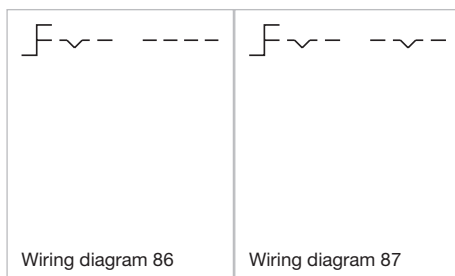
- Max. 3 switching elements can be clipped on



Actuator, Front dimension 35 mm x 35 mm

Switching action	Front bezel colour	Front bezel material	Switching angle	Part No.	Wiring diagram
Rest - Maintained	Black	Plastic	90° right	704.510.000	87
	Silver	Plastic	90° right	704.510.008	87
Rest - Momentary	Black	Plastic	42° right	704.512.000	86
	Silver	Plastic	42° right	704.512.008	86

Wiring diagrams

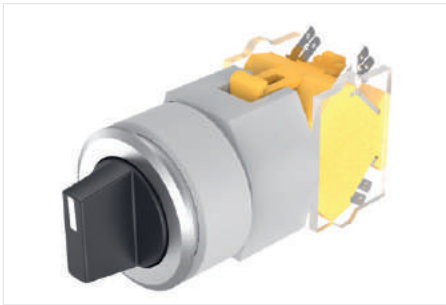


Wiring diagram 86

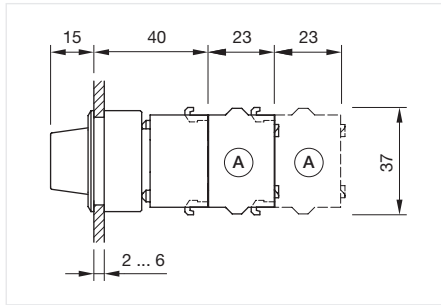
Wiring diagram 87

04 Flush design

Selector switch 2 positions, short lever, round, IP65



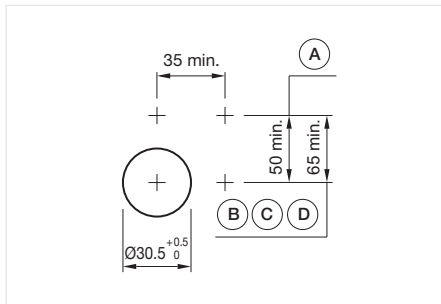
Product can differ from the current configuration.



Dimensions [mm]
A = Screw terminal

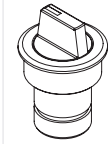
General information

- Max. 3 switching elements can be clipped on
- The colour of anodised aluminium parts can vary due to technical production reasons

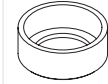


Mounting cut-outs [mm]
A = Screw terminal
B = Push-in terminal (PIT)
C = Plug-in terminal 6.3 mm x 0.8 mm
D = Double plug-in terminal 6.3 mm x 0.8 mm

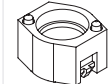
Equipment consisting of (schematic overview)



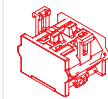
Actuator



Pressure ring



Bayonet flange

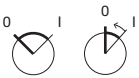


Switching element

Page 213

Each Part Number listed below includes all the black components shown in the 3D-drawing.

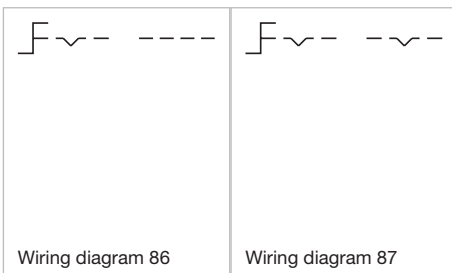
To obtain a complete unit, please select the red components from the pages shown.



Actuator, Front dimension Ø 35 mm

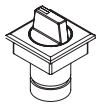
Switching action	Front bezel colour	Front bezel material	Switching angle	Front bezel surface	Part No.	Wiring diagram
Rest - Maintained	Black	Aluminium	90° right	anodised	704.411.010	87
	Nature	Aluminium	90° right	anodised	704.411.018	87
Rest - Momentary	Black	Aluminium	42° right	anodised	704.413.010	86
	Nature	Aluminium	42° right	anodised	704.413.018	86

Wiring diagrams



Selector switch 2 positions, short lever, square, IP65

Equipment consisting of (schematic overview)



Actuator



Press frame



Bayonet flange

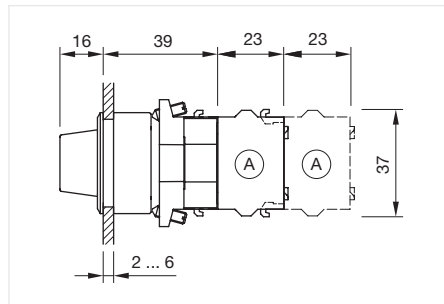


Switching element

Page 213

Each Part Number listed below includes all the black components shown in the 3D-drawing.

To obtain a complete unit, please select the red components from the pages shown.



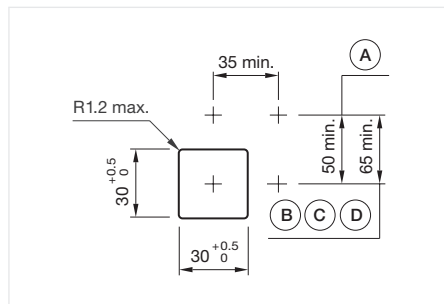
Dimensions [mm]
A = Screw terminal



Product can differ from the current configuration.

General information

- Max. 3 switching elements can be clipped on



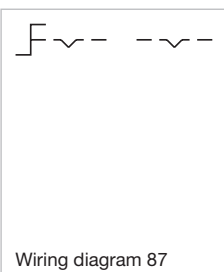
Mounting cut-outs [mm]
A = Screw terminal
B = Push-in terminal (PIT)
C = Plug-in terminal 6.3 mm x 0.8 mm
D = Double plug-in terminal 6.3 mm x 0.8 mm



Actuator, Front dimension 35 mm x 35 mm

Switching action	Front bezel colour	Front bezel material	Switching angle	Part No.	Wiring diagram
Rest - Maintained	Black	Plastic	90° right	704.510.000.12	87
	Silver	Plastic	90° right	704.510.008.12	87

Wiring diagrams

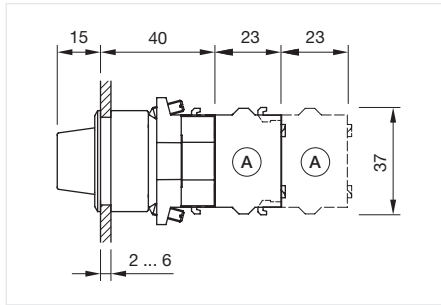


04 Flush design

Selector switch 2 positions, short lever, round, IP65



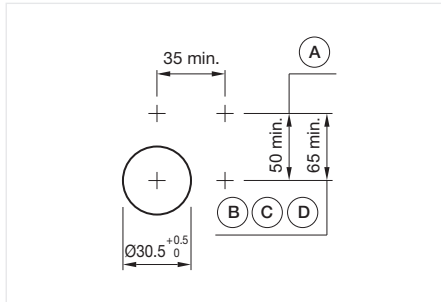
Product can differ from the current configuration.



Dimensions [mm]
X = Screw terminal

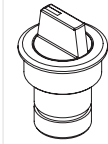
General information

- Max. 3 switching elements can be clipped on
- The colour of anodised aluminium parts can vary due to technical production reasons

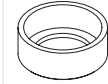


Mounting cut-outs [mm]
A = Screw terminal
B = Push-in terminal (PIT)
C = Plug-in terminal 6.3 mm x 0.8 mm
D = Double plug-in terminal 6.3 mm x 0.8 mm

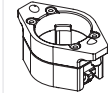
Equipment consisting of (schematic overview)



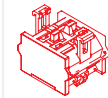
Actuator



Pressure ring



Bayonet flange



Switching element

Page 213

Each Part Number listed below includes all the black components shown in the 3D-drawing.

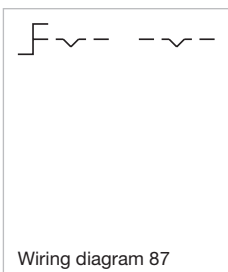
To obtain a complete unit, please select the red components from the pages shown.



Actuator, Front dimension Ø 35 mm

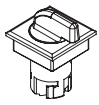
Switching action	Front bezel colour	Front bezel material	Switching angle	Front bezel surface	Part No.	Wiring diagram
Rest - Maintained	Black	Aluminium	90° right	anodised	704.411.010.12	87
	Nature	Aluminium	90° right	anodised	704.411.018.12	87

Wiring diagrams



Selector switch illuminated, 2 positions, long lever, square, IP65

Equipment consisting of (schematic overview)



Actuator



Press frame



Bayonet flange



LED

Page 204



Lamp block

Page 210

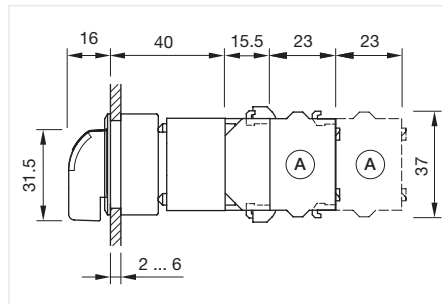


Switching element

Page 213

Each Part Number listed below includes all the black components shown in the 3D-drawing.

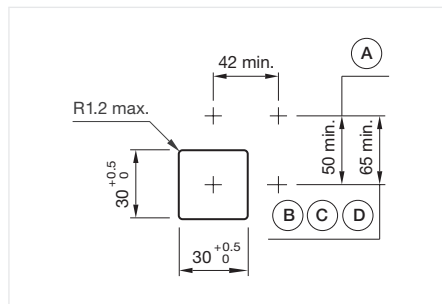
To obtain a complete unit, please select the red components from the pages shown.



Dimensions [mm]
A = Screw terminal



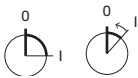
Product can differ from the current configuration.



Mounting cut-outs [mm]
A = Screw terminal
B = Push-in terminal (PIT)
C = Plug-in terminal 6.3 mm x 0.8 mm
D = Double plug-in terminal 6.3v x 0.8 mm

General information

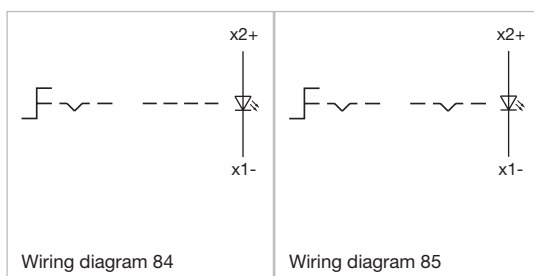
- Max. 3 switching elements can be clipped on



Actuator, Front dimension 35 mm x 35 mm

Switching action	Front bezel colour	Front bezel material	Switching angle	Part No.	Wiring diagram
Rest - Maintained	Black	Plastic	90° right	704.300.000I	85
	Silver	Plastic	90° right	704.300.008I	85
Rest - Momentary	Black	Plastic	42° right	704.302.000I	84
	Silver	Plastic	42° right	704.302.008I	84

Wiring diagrams

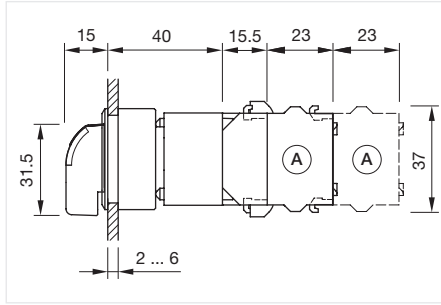


04 Flush design

Selector switch illuminated, 2 positions, long lever, round, IP65



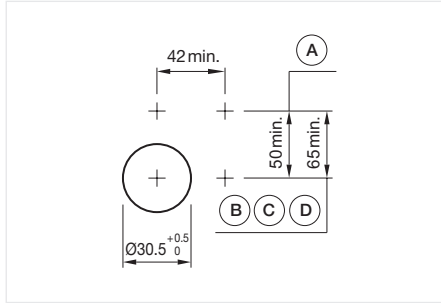
Product can differ from the current configuration.



Dimensions [mm]
A = Screw terminal

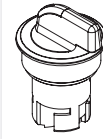
General information

- Max. 3 switching elements can be clipped on
- The colour of anodised aluminium parts can vary due to technical production reasons

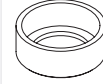


Mounting cut-outs [mm]
A = Screw terminal
B = Push-in terminal (PIT)
C = Plug-in terminal 6.3 mm x 0.8 mm
D = Double plug-in terminal 6.3 mm x 0.8 mm

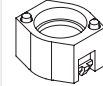
Equipment consisting of (schematic overview)



Actuator



Pressure ring

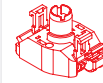


Bayonet flange



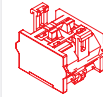
LED

Page 204



Lamp block

Page 210

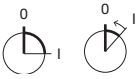


Switching element

Page 213

Each Part Number listed below includes all the black components shown in the 3D-drawing.

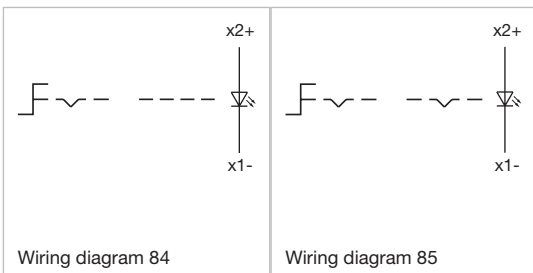
To obtain a complete unit, please select the red components from the pages shown.



Actuator, Front dimension \varnothing 35 mm

Switching action	Front bezel colour	Front bezel material	Switching angle	Front bezel surface	Part No.	Wiring diagram
Rest - Maintained	Black	Aluminium	90° right	anodised	704.101.010I	85
	Nature	Aluminium	90° right	anodised	704.101.018I	85
Rest - Momentary	Nature	Aluminium	42° right	anodised	704.103.018I	84

Wiring diagrams

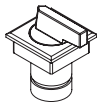


Wiring diagram 84

Wiring diagram 85

Selector switch 2 positions, long lever, square, IP65

Equipment consisting of (schematic overview)



Actuator



Press frame



Bayonet flange

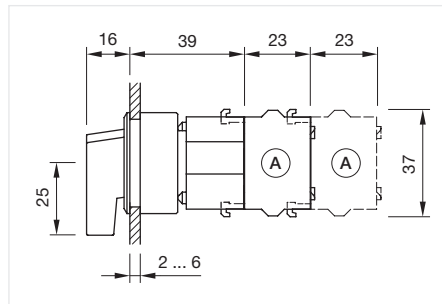


Switching element

Page 213

Each Part Number listed below includes all the black components shown in the 3D-drawing.

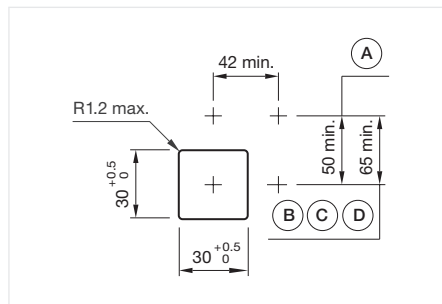
To obtain a complete unit, please select the red components from the pages shown.



Dimensions [mm]
A = Screw terminal



Product can differ from the current configuration.



Mounting cut-outs [mm]
A = Screw terminal
B = Push-in terminal (PIT)
C = Plug-in terminal 6.3 mm x 0.8 mm
D = Double plug-in terminal 6.3v x 0.8 mm

General information

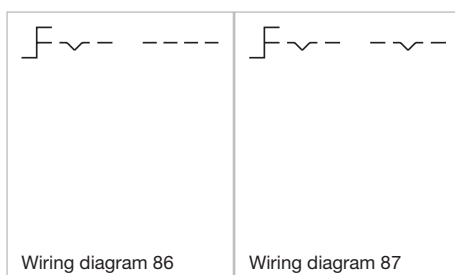
- Max. 3 switching elements can be clipped on



Actuator, Front dimension 35 mm x 35 mm

Switching action	Front bezel colour	Front bezel material	Switching angle	Part No.	Wiring diagram
Rest - Maintained	Black	Plastic	90° right	704.300.000	87
	Silver	Plastic	90° right	704.300.008	87
Rest - Momentary	Black	Plastic	42° right	704.302.000	86
	Silver	Plastic	42° right	704.302.008	86

Wiring diagrams

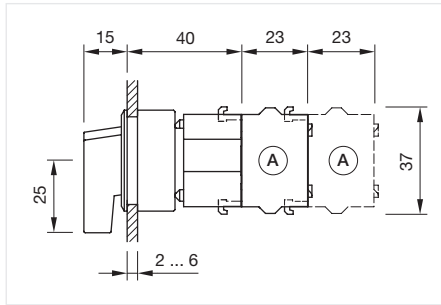


04 Flush design

Selector switch 2 positions, long lever, round, IP65



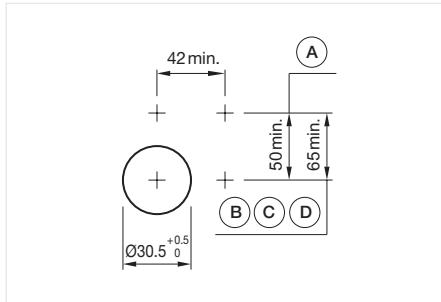
Product can differ from the current configuration.



Dimensions [mm]
A = Screw terminal

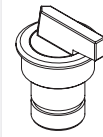
General information

- Max. 3 switching elements can be clipped on
- The colour of anodised aluminium parts can vary due to technical production reasons

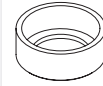


Mounting cut-outs [mm]
A = Screw terminal
B = Push-in terminal (PIT)
C = Plug-in terminal 6.3 mm x 0.8 mm
D = Double plug-in terminal 6.3 mm x 0.8 mm

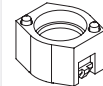
Equipment consisting of (schematic overview)



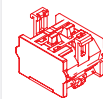
Actuator



Pressure ring



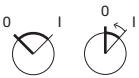
Bayonet flange



Switching element Page 213

Each Part Number listed below includes all the black components shown in the 3D-drawing.

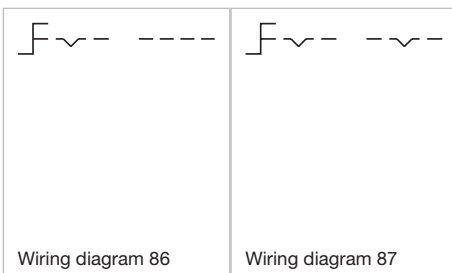
To obtain a complete unit, please select the red components from the pages shown.



Actuator, Front dimension Ø 35 mm

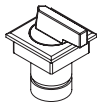
Switching action	Front bezel colour	Front bezel material	Switching angle	Front bezel surface	Part No.	Wiring diagram
Rest - Maintained	Black	Aluminium	90° right	anodised	704.101.010	87
	Nature	Aluminium	90° right	anodised	704.101.018	87
Rest - Momentary	Nature	Aluminium	42° right	anodised	704.103.018	86

Wiring diagrams



Selector switch 2 positions, 12 o'clock, long lever, square, IP65

Equipment consisting of (schematic overview)



Actuator



Press frame



Bayonet flange

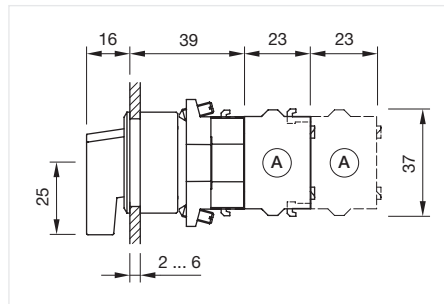


Switching element

Page 213

Each Part Number listed below includes all the black components shown in the 3D-drawing.

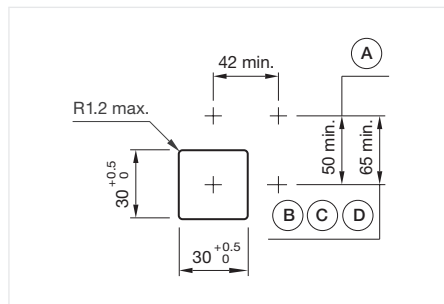
To obtain a complete unit, please select the red components from the pages shown.



Dimensions [mm]
A = Screw terminal



Product can differ from the current configuration.



Mounting cut-outs [mm]
A = Screw terminal
B = Push-in terminal (PIT)
C = Plug-in terminal 6.3 mm x 0.8 mm
D = Double plug-in terminal 6.3v x 0.8 mm

General information

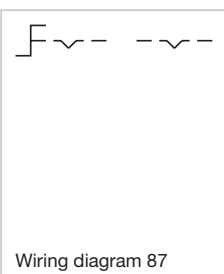
- Max. 3 switching elements can be clipped on



Actuator, Front dimension 35 mm x 35 mm

Switching action	Front bezel colour	Front bezel material	Switching angle	Part No.	Wiring diagram
Rest - Maintained	Black	Plastic	90° right	704.300.000.12	87
	Silver	Plastic	90° right	704.300.008.12	87

Wiring diagrams



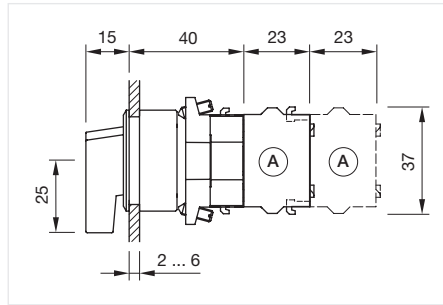
01
02
03
04
09
14
17
18
19
22
31
41
45
51
56
57
61
70
71
82
84
92
96

04 Flush design

Selector switch 2 positions, long lever, round, IP65



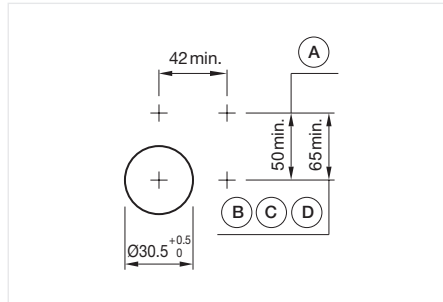
Product can differ from the current configuration.



Dimensions [mm]
A = Screw terminal

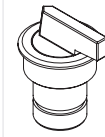
General information

- Max. 3 switching elements can be clipped on
- The colour of anodised aluminium parts can vary due to technical production reasons

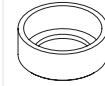


Mounting cut-outs [mm]
A = Screw terminal
B = Push-in terminal (PIT)
C = Plug-in terminal 6.3 mm x 0.8 mm
D = Double plug-in terminal 6.3 mm x 0.8 mm

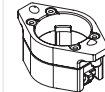
Equipment consisting of (schematic overview)



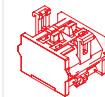
Actuator



Pressure ring



Bayonet flange



Switching element

Page 213

Each Part Number listed below includes all the black components shown in the 3D-drawing.

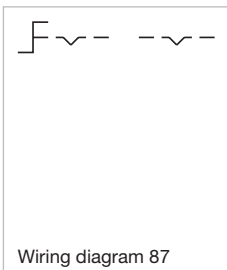
To obtain a complete unit, please select the red components from the pages shown.



Actuator, Front dimension Ø 35 mm

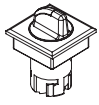
Switching action	Front bezel colour	Front bezel material	Switching angle	Front bezel surface	Part No.	Wiring diagram
Rest - Maintained	Black	Aluminium	90° right	anodised	704.101.010.12	87
	Nature	Aluminium	90° right	anodised	704.101.018.12	87

Wiring diagrams



Selector switch illuminated, 3 positions, short lever, square, IP65

Equipment consisting of (schematic overview)



Actuator



Press frame



Bayonet flange



LED

Page 204



Lamp block

Page 210

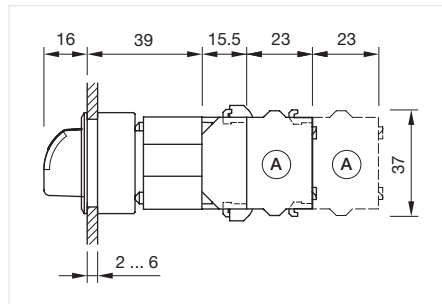


Switching element

Page 213

Each Part Number listed below includes all the black components shown in the 3D-drawing.

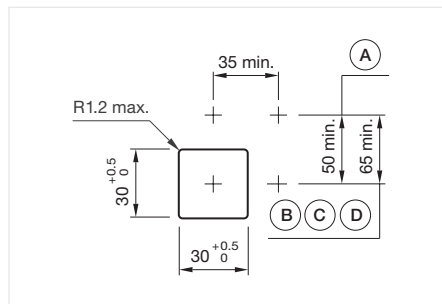
To obtain a complete unit, please select the red components from the pages shown.



Dimensions [mm]
A = Screw terminal



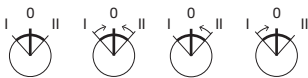
Product can differ from the current configuration.



Mounting cut-outs [mm]
A = Screw terminal
B = Push-in terminal (PIT)
C = Plug-in terminal 6.3 mm x 0.8 mm
D = Double plug-in terminal 6.3 mm x 0.8 mm

General information

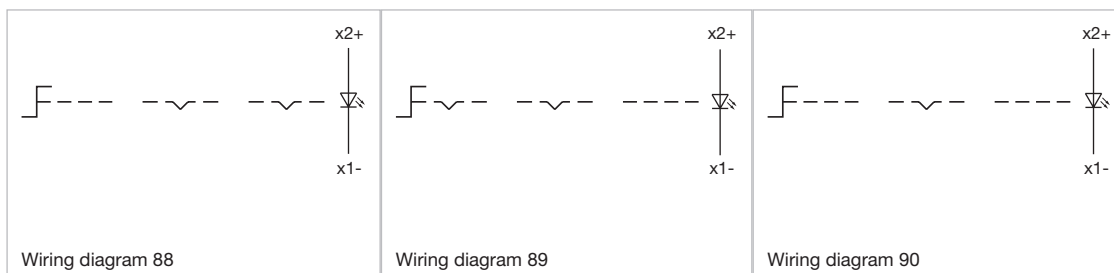
- Max. 3 switching elements can be clipped on



Actuator, Front dimension 35 mm x 35 mm

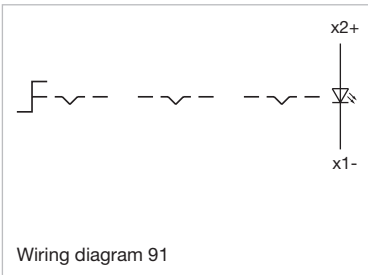
Switching action	Front bezel colour	Front bezel material	Switching angle	Part No.	Wiring diagram
Maintained - Rest - Maintained	Black	Plastic	42° left / 42° right	704.502.000I	91
	Silver	Plastic	42° left / 42° right	704.502.008I	91
Momentary - Rest - Momentary	Black	Plastic	42° left / 42° right	704.504.000I	90
	Silver	Plastic	42° left / 42° right	704.504.008I	90
Maintained - Rest - Momentary	Black	Plastic	42° left / 42° right	704.506.000I	89
	Silver	Plastic	42° left / 42° right	704.506.008I	89
Momentary - Rest - Maintained	Black	Plastic	42° left / 42° right	704.508.000I	88
	Silver	Plastic	42° left / 42° right	704.508.008I	88

Wiring diagrams



04 Flush design

Wiring diagrams



Follow us.
We are on LinkedIn!
EAO creates possibilities. Since 1947.



[Come take a look at our LinkedIn profile today!](https://www.linkedin.com/company/eao/) *Be sure to give us a follow so that you can fully interact with us.*

<https://www.linkedin.com/company/eao/>

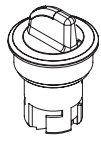
www.eao.com

eao ■

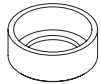
Your Expert Partner for Human Machine Interfaces

Selector switch illuminated, 3 positions, short lever, round, IP65

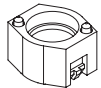
Equipment consisting of (schematic overview)



Actuator



Pressure ring

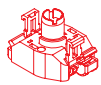


Bayonet flange



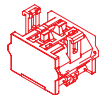
LED

Page 204



Lamp block

Page 210

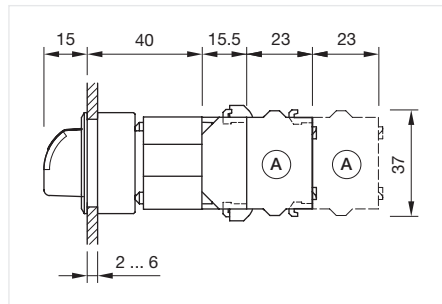


Switching element

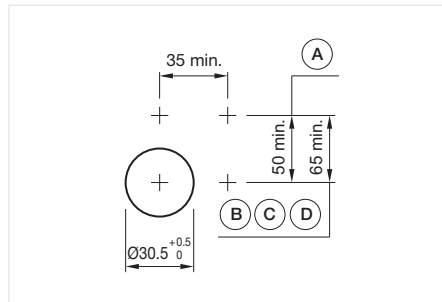
Page 213

Each Part Number listed below includes all the black components shown in the 3D-drawing.

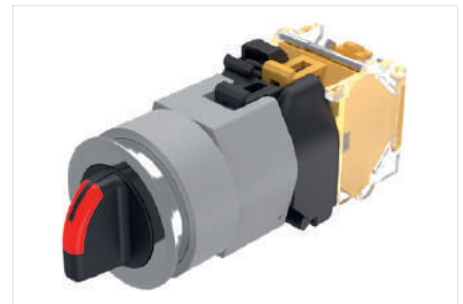
To obtain a complete unit, please select the red components from the pages shown.



Dimensions [mm]
X = Screw terminal



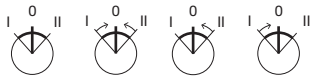
Mounting cut-outs [mm]
A = Screw terminal
B = Push-in terminal (PIT)
C = Plug-in terminal 6.3 mm x 0.8 mm
D = Double plug-in terminal 6.3 mm x 0.8 mm



Product can differ from the current configuration.

General information

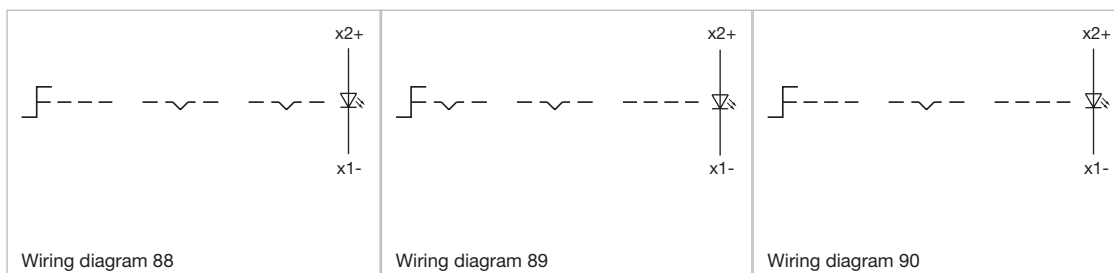
- Max. 3 switching elements can be clipped on
- The colour of anodised aluminium parts can vary due to technical production reasons



Actuator, Front dimension Ø 35 mm

Switching action	Front bezel colour	Front bezel material	Switching angle	Front bezel surface	Part No.	Wiring diagram
Maintained - Rest - Maintained	Black	Aluminium	42° left / 42° right	anodised	704.403.010I	91
	Nature	Aluminium	42° left / 42° right	anodised	704.403.018I	91
Momentary - Rest - Momentary	Black	Aluminium	42° left / 42° right	anodised	704.405.010I	90
	Nature	Aluminium	42° left / 42° right	anodised	704.405.018I	90
Maintained - Rest - Momentary	Black	Aluminium	42° left / 42° right	anodised	704.407.010I	89
	Nature	Aluminium	42° left / 42° right	anodised	704.407.018I	89
Momentary - Rest - Maintained	Black	Aluminium	42° left / 42° right	anodised	704.409.010I	88
	Nature	Aluminium	42° left / 42° right	anodised	704.409.018I	88

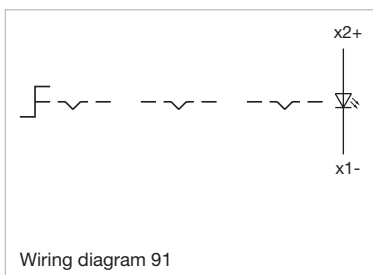
Wiring diagrams



04 Flush design

- 01
- 02
- 03
- 04**
- 09
- 14
- 17
- 18
- 19
- 22
- 31
- 41
- 45
- 51
- 56
- 57
- 61
- 70
- 71
- 82
- 84
- 92
- 96

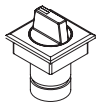
Wiring diagrams



Wiring diagram 91

Selector switch 3 positions, short lever, square, IP65

Equipment consisting of (schematic overview)



Actuator



Press frame



Bayonet flange

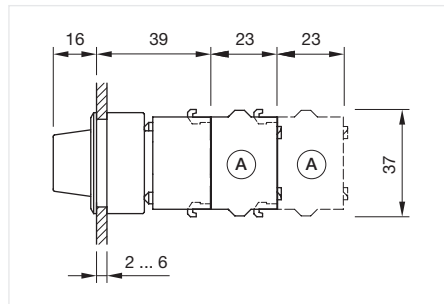


Switching element

Page 213

Each Part Number listed below includes all the black components shown in the 3D-drawing.

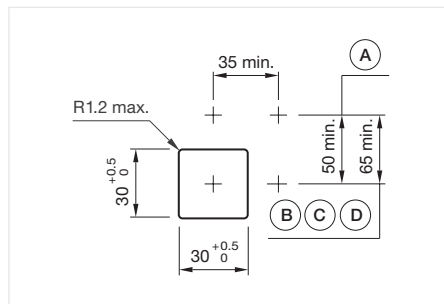
To obtain a complete unit, please select the red components from the pages shown.



Dimensions [mm]
A = Screw terminal



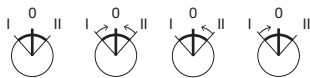
Product can differ from the current configuration.



Mounting cut-outs [mm]
A = Screw terminal
B = Push-in terminal (PIT)
C = Plug-in terminal 6.3 mm x 0.8 mm
D = Double plug-in terminal 6.3 mm x 0.8 mm

General information

- Max. 3 switching elements can be clipped on



Actuator, Front dimension 35 mm x 35 mm

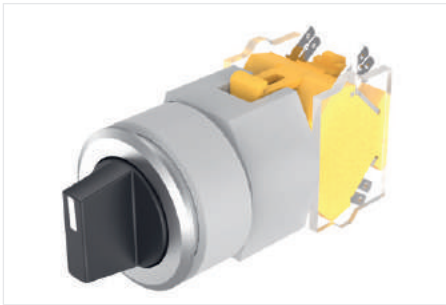
Switching action	Front bezel colour	Front bezel material	Switching angle	Part No.	Wiring diagram
Maintained - Rest - Maintained	Black	Plastic	42° left / 42° right	704.502.000	95
	Silver	Plastic	42° left / 42° right	704.502.008	95
Momentary - Rest - Momentary	Black	Plastic	42° left / 42° right	704.504.000	94
	Silver	Plastic	42° left / 42° right	704.504.008	94
Maintained - Rest - Momentary	Black	Plastic	42° left / 42° right	704.506.000	93
	Silver	Plastic	42° left / 42° right	704.506.008	93
Momentary - Rest - Maintained	Black	Plastic	42° left / 42° right	704.508.000	92
	Silver	Plastic	42° left / 42° right	704.508.008	92

Wiring diagrams

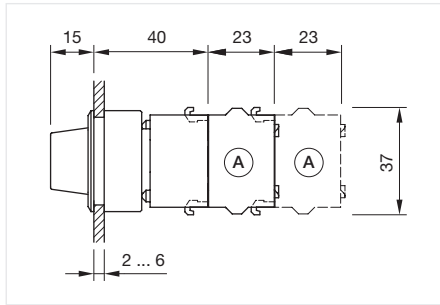
<p>Wiring diagram 92</p>	<p>Wiring diagram 93</p>	<p>Wiring diagram 94</p>	<p>Wiring diagram 95</p>
--------------------------	--------------------------	--------------------------	--------------------------

04 Flush design

Selector switch 3 positions, short lever, round, IP65



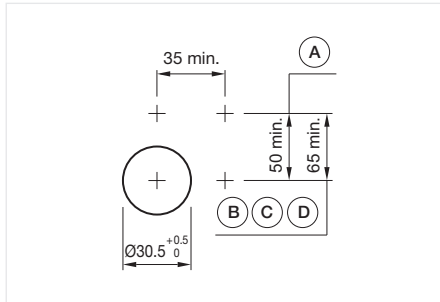
Product can differ from the current configuration.



Dimensions [mm]
A = Screw terminal

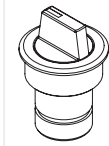
General information

- Max. 3 switching elements can be clipped on
- The colour of anodised aluminium parts can vary due to technical production reasons

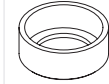


Mounting cut-outs [mm]
A = Screw terminal
B = Push-in terminal (PIT)
C = Plug-in terminal 6.3 mm x 0.8 mm
D = Double plug-in terminal 6.3 mm x 0.8 mm

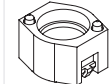
Equipment consisting of (schematic overview)



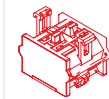
Actuator



Pressure ring



Bayonet flange

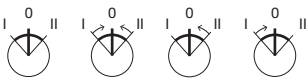


Switching element

Page 213

Each Part Number listed below includes all the black components shown in the 3D-drawing.

To obtain a complete unit, please select the red components from the pages shown.



Actuator, Front dimension Ø 35 mm

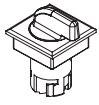
Switching action	Front bezel colour	Front bezel material	Switching angle	Front bezel surface	Part No.	Wiring diagram
Maintained - Rest - Maintained	Black	Aluminium	42° left / 42° right	anodised	704.403.010	95
	Nature	Aluminium	42° left / 42° right	anodised	704.403.018	95
Momentary - Rest - Momentary	Black	Aluminium	42° left / 42° right	anodised	704.405.010	94
	Nature	Aluminium	42° left / 42° right	anodised	704.405.018	94
Maintained - Rest - Momentary	Black	Aluminium	42° left / 42° right	anodised	704.407.010	93
	Nature	Aluminium	42° left / 42° right	anodised	704.407.018	93
Momentary - Rest - Maintained	Black	Aluminium	42° left / 42° right	anodised	704.409.010	92
	Nature	Aluminium	42° left / 42° right	anodised	704.409.018	92

Wiring diagrams

Wiring diagram 92	Wiring diagram 93	Wiring diagram 94	Wiring diagram 95

Selector switch illuminated, 3 positions, long lever, square, IP65

Equipment consisting of (schematic overview)



Actuator



Press frame



Bayonet flange



LED

Page 204



Lamp block

Page 210

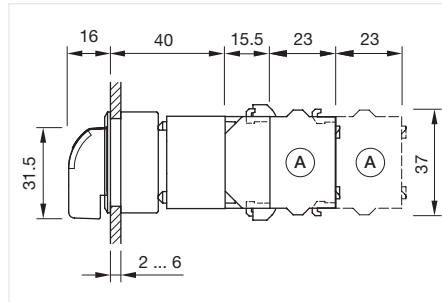


Switching element

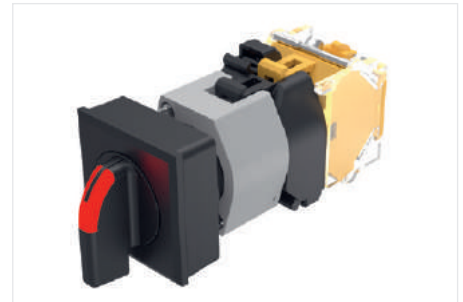
Page 213

Each Part Number listed below includes all the black components shown in the 3D-drawing.

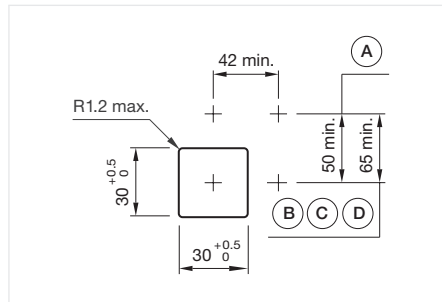
To obtain a complete unit, please select the red components from the pages shown.



Dimensions [mm]
A = Screw terminal



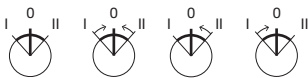
Product can differ from the current configuration.



Mounting cut-outs [mm]
A = Screw terminal
B = Push-in terminal (PIT)
C = Plug-in terminal 6.3 mm x 0.8 mm
D = Double plug-in terminal 6.3v x 0.8 mm

General information

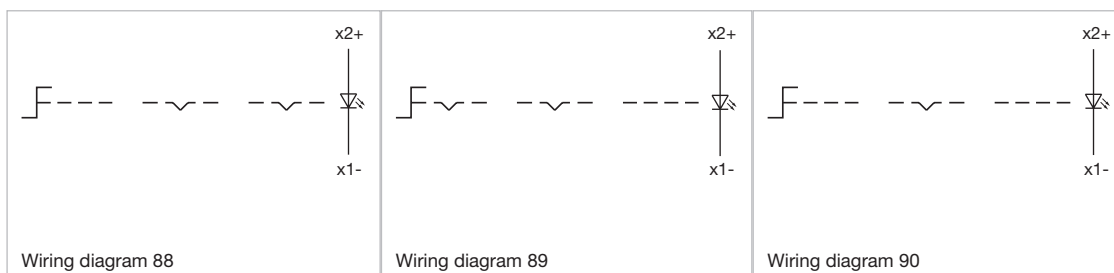
- Max. 3 switching elements can be clipped on



Actuator, Front dimension 35 mm x 35 mm

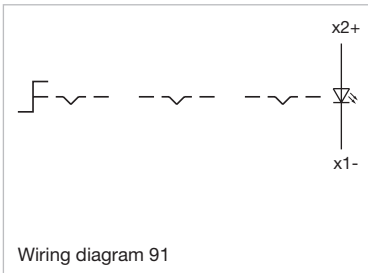
Switching action	Front bezel colour	Front bezel material	Switching angle	Part No.	Wiring diagram
Maintained - Rest - Maintained	Black	Plastic	42° left / 42° right	704.292.000I	91
	Silver	Plastic	42° left / 42° right	704.292.008I	91
Momentary - Rest - Momentary	Black	Plastic	42° left / 42° right	704.294.000I	90
	Silver	Plastic	42° left / 42° right	704.294.008I	90
Maintained - Rest - Momentary	Black	Plastic	42° left / 42° right	704.296.000I	89
	Silver	Plastic	42° left / 42° right	704.296.008I	89
Momentary - Rest - Maintained	Black	Plastic	42° left / 42° right	704.298.000I	88
	Silver	Plastic	42° left / 42° right	704.298.008I	88

Wiring diagrams



04 Flush design

Wiring diagrams



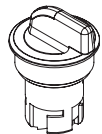

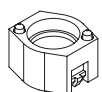
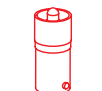
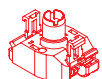
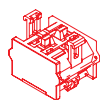
Modern. Tactile and long-lasting.
Series 04 illuminated selector switches.

Intuitive and reliable operation for enhanced safety in public transportation.

- Bright, single or bi-colour LED illumination
- Modern, ergonomic design
- Rounded edges (in accordance with DIN 5566-1)
- Excellent tactile feedback
- Long service life and robust construction
- Wide range of possible combinations and options

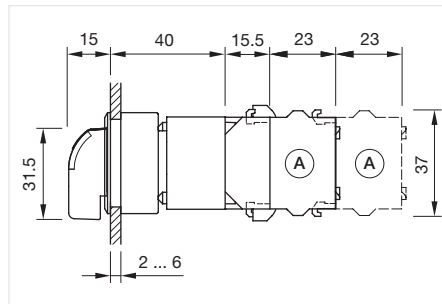
Selector switch illuminated, 3 positions long lever, round, IP65

Equipment consisting of (schematic overview)

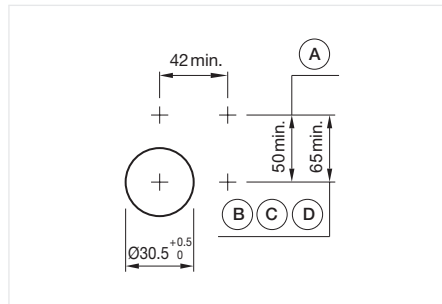
-  Actuator
-  Pressure ring
-  Bayonet flange
-  LED Page 204
-  Lamp block Page 210
-  Switching element Page 213

Each Part Number listed below includes all the black components shown in the 3D-drawing.

To obtain a complete unit, please select the red components from the pages shown.



Dimensions [mm]
A = Screw terminal



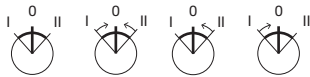
Mounting cut-outs [mm]
A = Screw terminal
B = Push-in terminal (PIT)
C = Plug-in terminal 6.3 mm x 0.8 mm
D = Double plug-in terminal 6.3 mm x 0.8 mm



Product can differ from the current configuration.

General information

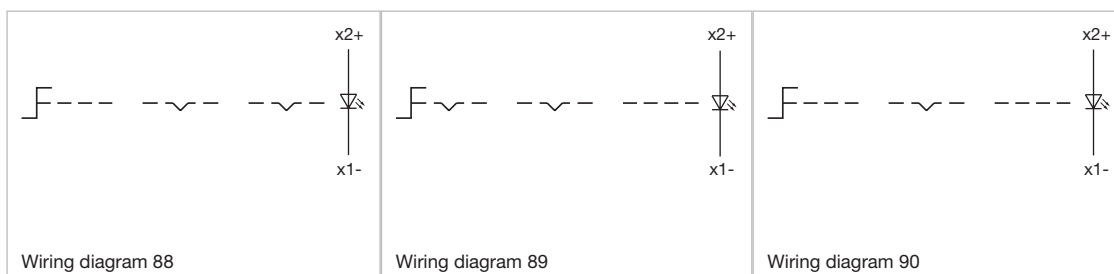
- Max. 3 switching elements can be clipped on
- The colour of anodised aluminium parts can vary due to technical production reasons



Actuator, Front dimension Ø 35 mm

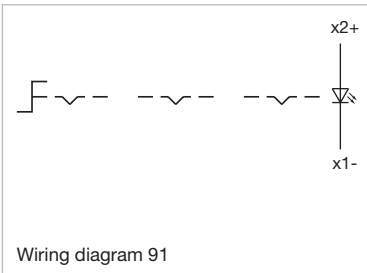
Switching action	Front bezel colour	Front bezel material	Switching angle	Front bezel surface	Part No.	Wiring diagram
Maintained - Rest - Maintained	Black	Aluminium	42° left / 42° right	anodised	704.093.010I	91
	Nature	Aluminium	42° left / 42° right	anodised	704.093.018I	91
Momentary - Rest - Momentary	Black	Aluminium	42° left / 42° right	anodised	704.095.010I	90
	Nature	Aluminium	42° left / 42° right	anodised	704.095.018I	90
Maintained - Rest - Momentary	Black	Aluminium	42° left / 42° right	anodised	704.097.010I	89
	Nature	Aluminium	42° left / 42° right	anodised	704.097.018I	89
Momentary - Rest - Maintained	Black	Aluminium	42° left / 42° right	anodised	704.099.010I	88
	Nature	Aluminium	42° left / 42° right	anodised	704.099.018I	88

Wiring diagrams



04 Flush design

Wiring diagrams



Individual.
According to customer requirements.
EAO creates possibilities. Since 1947.



With our value-added services, we individually modify our standard components in accordance with our customers' needs – quickly and cost-effectively.

- Customer-specific marking
- Individual illumination
- Customized software
- Customized cables and connectors
- Mechanical and electronic adaptations
- Manufacturing of mounting sets

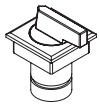
www.eao.com

eao ■

Your Expert Partner for Human Machine Interfaces

Selector switch 3 positions, long lever, square, IP65

Equipment consisting of (schematic overview)



Actuator



Press frame



Bayonet flange

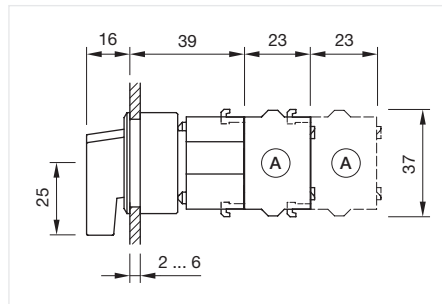


Switching element

Page 213

Each Part Number listed below includes all the black components shown in the 3D-drawing.

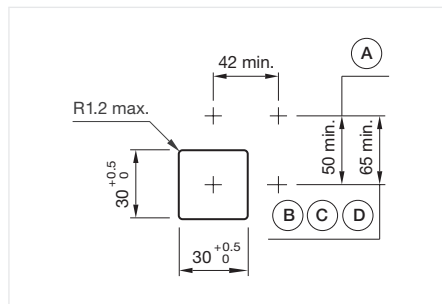
To obtain a complete unit, please select the red components from the pages shown.



Dimensions [mm]
A = Screw terminal



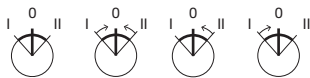
Product can differ from the current configuration.



Mounting cut-outs [mm]
A = Screw terminal
B = Push-in terminal (PIT)
C = Plug-in terminal 6.3 mm x 0.8 mm
D = Double plug-in terminal 6.3v x 0.8 mm

General information

- Max. 3 switching elements can be clipped on



Actuator, Front dimension 35 mm x 35 mm

Switching action	Front bezel colour	Front bezel material	Switching angle	Part No.	Wiring diagram
Maintained - Rest - Maintained	Black	Plastic	42° left / 42° right	704.292.000	95
	Silver	Plastic	42° left / 42° right	704.292.008	95
Momentary - Rest - Momentary	Black	Plastic	42° left / 42° right	704.294.000	94
	Silver	Plastic	42° left / 42° right	704.294.008	94
Maintained - Rest - Momentary	Black	Plastic	42° left / 42° right	704.296.000	93
	Silver	Plastic	42° left / 42° right	704.296.008	93
Momentary - Rest - Maintained	Black	Plastic	42° left / 42° right	704.298.000	92
	Silver	Plastic	42° left / 42° right	704.298.008	92

Wiring diagrams

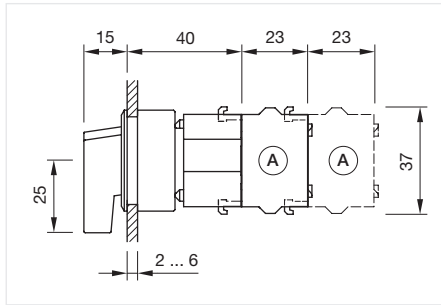
Wiring diagram 92	Wiring diagram 93	Wiring diagram 94	Wiring diagram 95

04 Flush design

Selector switch 3 positions, long lever, round, IP65



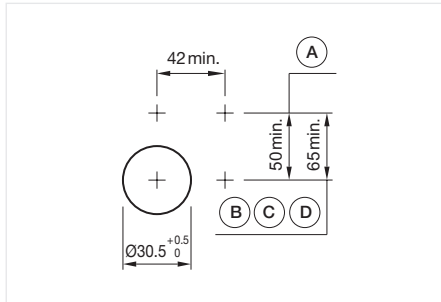
Product can differ from the current configuration.



Dimensions [mm]
A = Screw terminal

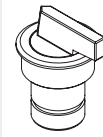
General information

- Max. 3 switching elements can be clipped on
- The colour of anodised aluminium parts can vary due to technical production reasons

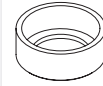


Mounting cut-outs [mm]
A = Screw terminal
B = Push-in terminal (PIT)
C = Plug-in terminal 6.3 mm x 0.8 mm
D = Double plug-in terminal 6.3 mm x 0.8 mm

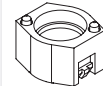
Equipment consisting of (schematic overview)



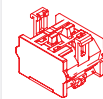
Actuator



Pressure ring



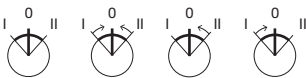
Bayonet flange



Switching element Page 213

Each Part Number listed below includes all the black components shown in the 3D-drawing.

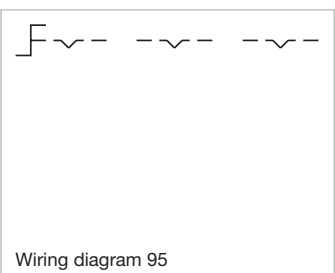
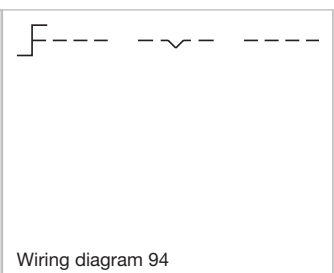
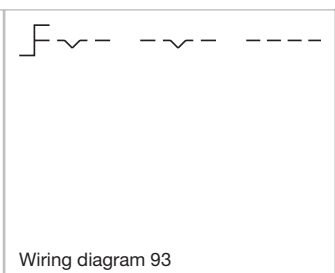
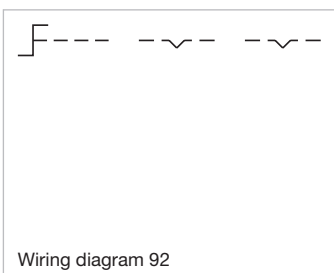
To obtain a complete unit, please select the red components from the pages shown.



Actuator, Front dimension Ø 35 mm

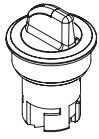
Switching action	Front bezel colour	Front bezel material	Switching angle	Front bezel surface	Part No.	Wiring diagram
Maintained - Rest - Maintained	Black	Aluminium	42° left / 42° right	anodised	704.093.010	95
	Nature	Aluminium	42° left / 42° right	anodised	704.093.018	95
Momentary - Rest - Momentary	Black	Aluminium	42° left / 42° right	anodised	704.095.010	94
	Nature	Aluminium	42° left / 42° right	anodised	704.095.018	94
Maintained - Rest - Momentary	Black	Aluminium	42° left / 42° right	anodised	704.097.010	93
	Nature	Aluminium	42° left / 42° right	anodised	704.097.018	93
Momentary - Rest - Maintained	Black	Aluminium	42° left / 42° right	anodised	704.099.010	92
	Nature	Aluminium	42° left / 42° right	anodised	704.099.018	92

Wiring diagrams



Selector rotary switch, short lever rounded, round, IP65

Equipment consisting of (schematic overview)



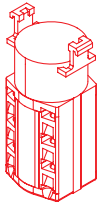
Actuator



Pressure ring



Bayonet flange

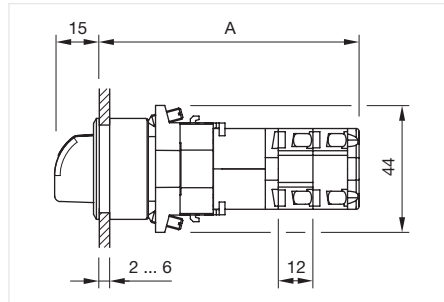


Switching element

Page 227

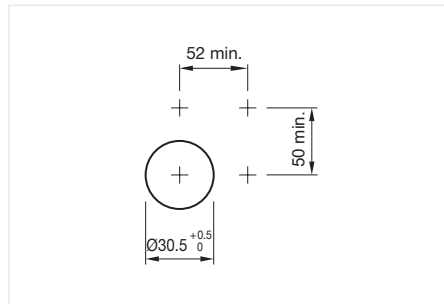
Each Part Number listed below includes all the black components shown in the 3D-drawing.

To obtain a complete unit, please select the red components from the pages shown.



Dimensions [mm]

$$A = (\text{Number of stages} \times 12) + 66.5 \text{ mm}$$



Mounting cut-outs [mm]



Product can differ from the current configuration.

General information

- The colour of anodised aluminium parts can vary due to technical production reasons

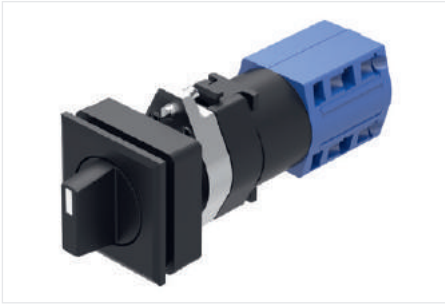


Actuator, Front dimension Ø 35 mm

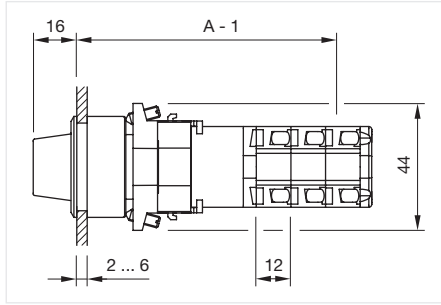
Front bezel colour	Front bezel material	Switching positions	Front bezel surface	Part No.
Black	Aluminium	Rest = 12 o'clock	anodised	704.411.010KNI
Nature	Aluminium	Rest = 12 o'clock	anodised	704.411.018KNI
	Aluminium	Rest = 9 o'clock	anodised	704.411.118KNI

04 Flush design

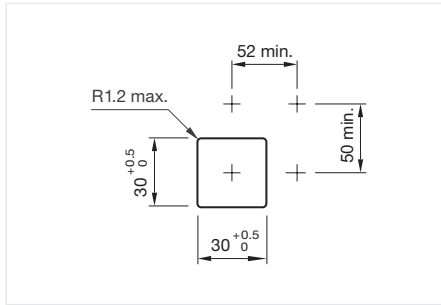
Selector rotary switch, short lever, square, IP65



Product can differ from the current configuration.

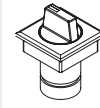


Dimensions [mm]
 $A = (\text{Number of stages} \times 12) + 66.5 \text{ mm}$

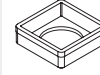


Mounting cut-outs [mm]

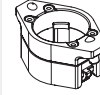
Equipment consisting of (schematic overview)



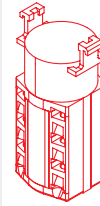
Actuator



Press frame



Bayonet flange



Switching element

Page 227

Each Part Number listed below includes all the black components shown in the 3D-drawing.

To obtain a complete unit, please select the red components from the pages shown.

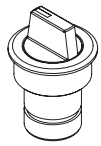


Actuator, Front dimension 35 mm x 35 mm

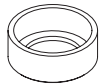
Front bezel colour	Front bezel material	Switching positions	Part No.
Black	Plastic	Rest = 9 o'clock	704.510.100KN
Silver	Plastic	Rest = 9 o'clock	704.510.108KN

Selector rotary switch short lever, round, IP65

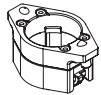
Equipment consisting of (schematic overview)



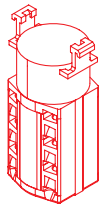
Actuator



Pressure ring



Bayonet flange

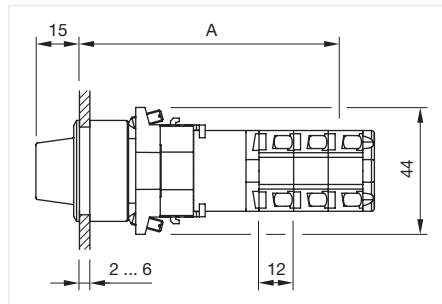


Switching element

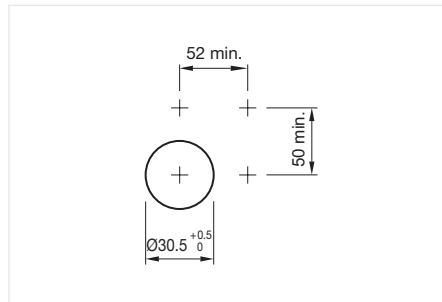
Page 227

Each Part Number listed below includes all the black components shown in the 3D-drawing.

To obtain a complete unit, please select the red components from the pages shown.



Dimensions [mm]
 $A = (\text{Number of stages} \times 12) + 66.5 \text{ mm}$



Mounting cut-outs [mm]



Product can differ from the current configuration.

General information

- The colour of anodised aluminium parts can vary due to technical production reasons



Actuator, Front dimension Ø 35 mm

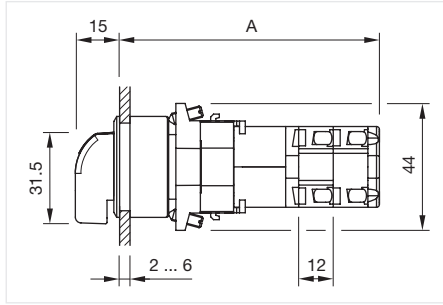
Front bezel colour	Front bezel material	Switching positions	Front bezel surface	Part No.
Black	Aluminium	Rest = 12 o'clock	anodised	704.411.010KN
Nature	Aluminium	Rest = 12 o'clock	anodised	704.411.018KN
Black	Aluminium	Rest = 9 o'clock	anodised	704.411.110KN
Nature	Aluminium	Rest = 9 o'clock	anodised	704.411.118KN

04 Flush design

Selector rotary switch, long lever rounded, round, IP65



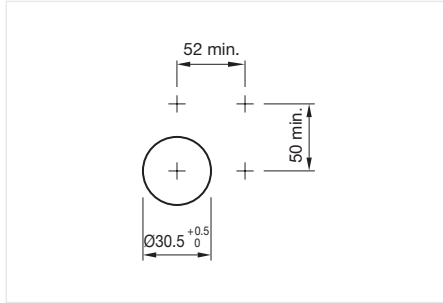
Product can differ from the current configuration.



Dimensions [mm]
 $A = (\text{Number of stages} \times 12) + 66.5 \text{ mm}$

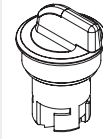
General information

- The colour of anodised aluminium parts can vary due to technical production reasons

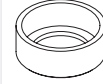


Mounting cut-outs [mm]

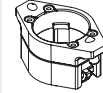
Equipment consisting of (schematic overview)



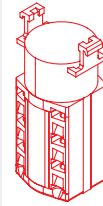
Actuator



Pressure ring



Bayonet flange



Switching element

Page 227

Each Part Number listed below includes all the black components shown in the 3D-drawing.

To obtain a complete unit, please select the red components from the pages shown.

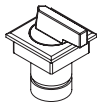


Actuator, Front dimension Ø 35 mm

Front bezel colour	Front bezel material	Switching positions	Front bezel surface	Part No.
Nature	Aluminium	Rest = 12 o'clock	anodised	704.101.018KNI
Black	Aluminium	Rest = 9 o'clock	anodised	704.101.110KNI
Nature	Aluminium	Rest = 9 o'clock	anodised	704.101.118KNI

Selector rotary switch long lever, square, IP65

Equipment consisting of (schematic overview)



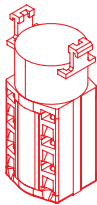
Actuator



Press frame



Bayonet flange

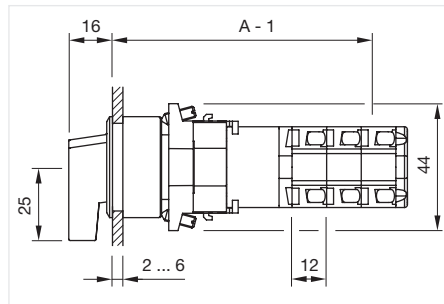


Switching element

Page 227

Each Part Number listed below includes all the black components shown in the 3D-drawing.

To obtain a complete unit, please select the red components from the pages shown.

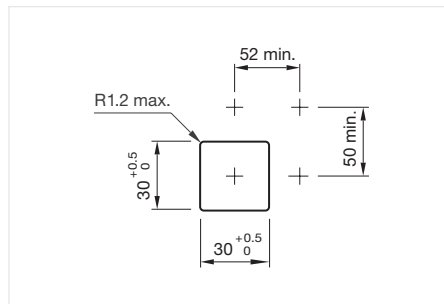


Dimensions [mm]

$$A = (\text{Number of stages} \times 12) + 66.5 \text{ mm}$$



Product can differ from the current configuration.



Mounting cut-outs [mm]



Actuator, Front dimension 35 mm x 35 mm

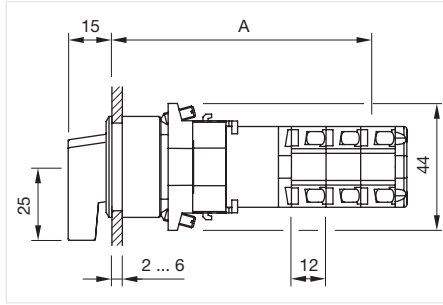
Front bezel colour	Front bezel material	Switching positions	Part No.
Black	Plastic	Rest = 9 o'clock	704.300.100KN
Silver	Plastic	Rest = 9 o'clock	704.300.108KN

04 Flush design

Selector rotary switch long lever, round, IP65



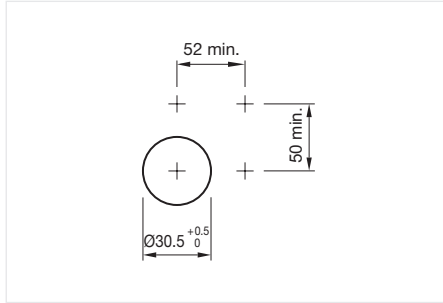
Product can differ from the current configuration.



Dimensions [mm]
 $A = (\text{Number of stages} \times 12) + 66.5 \text{ mm}$

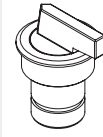
General information

- The colour of anodised aluminium parts can vary due to technical production reasons

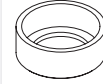


Mounting cut-outs [mm]

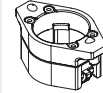
Equipment consisting of (schematic overview)



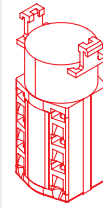
Actuator



Pressure ring



Bayonet flange



Switching element

Page 227

Each Part Number listed below includes all the black components shown in the 3D-drawing.

To obtain a complete unit, please select the red components from the pages shown.



Actuator, Front dimension Ø 35 mm

Front bezel colour	Front bezel material	Switching positions	Front bezel surface	Part No.
Nature	Aluminium	Rest = 12 o'clock	anodised	704.101.018KN
Black	Aluminium	Rest = 9 o'clock	anodised	704.101.110KN
Nature	Aluminium	Rest = 9 o'clock	anodised	704.101.118KN

Keylock switch 2 positions, square, IP65

Equipment consisting of (schematic overview)



Actuator



Press frame



Bayonet flange

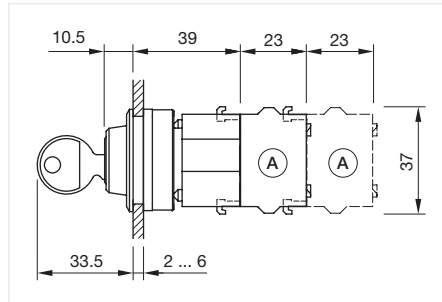


Switching element

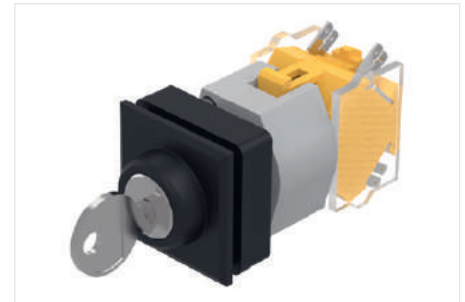
Page 213

Each Part Number listed below includes all the black components shown in the 3D-drawing.

To obtain a complete unit, please select the red components from the pages shown.



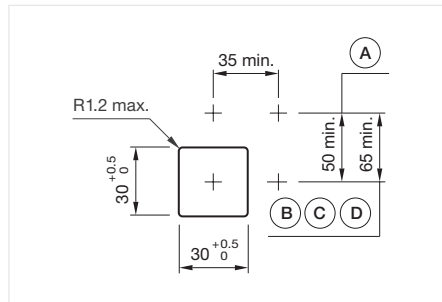
Dimensions [mm]
A = Screw terminal



Product can differ from the current configuration.

General information

- Max. 3 switching elements can be clipped on
- The standard lock Ronis 251



Mounting cut-outs [mm]
A = Screw terminal
B = Push-in terminal (PIT)
C = Plug-in terminal 6.3 mm x 0.8 mm
D = Double plug-in terminal 6.3 mm x 0.8 mm

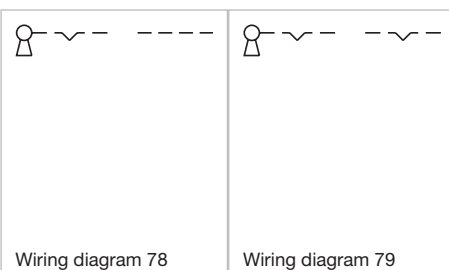


Actuator, Front dimension 35 mm x 35 mm

Switching action	Front bezel colour	Front bezel material	Switching angle	Part No.	Wiring diagram
Rest - Maintained (a)	Black	Plastic	90° right	704.340.000	79
	Silver	Plastic	90° right	704.340.008	79
Rest (a) - Maintained	Black	Plastic	90° right	704.341.000	79
	Silver	Plastic	90° right	704.341.008	79
Rest (a) - Maintained (a)	Black	Plastic	90° right	704.342.000	79
	Silver	Plastic	90° right	704.342.008	79
Rest (a) - Momentary	Black	Plastic	42° right	704.343.000	78
	Silver	Plastic	42° right	704.343.008	78

a = Key remove

Wiring diagrams

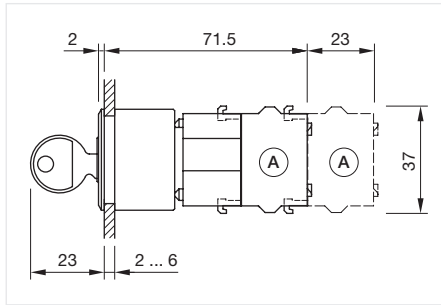


04 Flush design

Keylock switch 2 positions, round, IP65



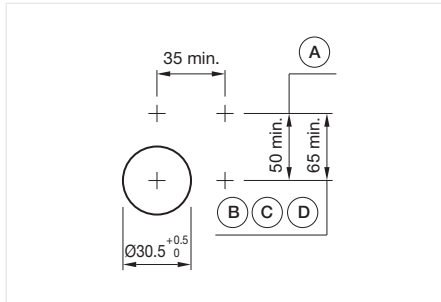
Product can differ from the current configuration.



Dimensions [mm]
A = Screw terminal

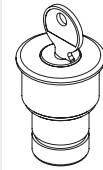
General information

- Max. 3 switching elements can be clipped on
- The standard lock Ronis 251
- The colour of anodised aluminium parts can vary due to technical production reasons



Mounting cut-outs [mm]
A = Screw terminal
B = Push-in terminal (PIT)
C = Plug-in terminal 6.3 mm x 0.8 mm
D = Double plug-in terminal 6.3 mm x 0.8 mm

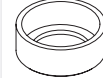
Equipment consisting of (schematic overview)



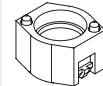
Actuator



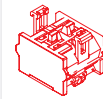
Anti-twist device



Pressure ring



Bayonet flange

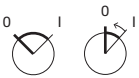


Switching element

Page 213

Each Part Number listed below includes all the black components shown in the 3D-drawing.

To obtain a complete unit, please select the red components from the pages shown.

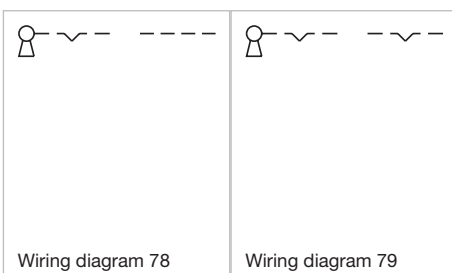


Actuator, Front dimension Ø 35 mm

Switching action	Front bezel colour	Front bezel material	Switching angle	Part No.	Wiring diagram
Rest - Maintained (a)	Nature	Aluminium	90° right	704.120.018	79
Rest (a) - Maintained	Nature	Aluminium	90° right	704.121.018	79
Rest (a) - Maintained (a)	Nature	Aluminium	90° right	704.122.018	79
Rest (a) - Momentary	Nature	Aluminium	42° right	704.123.018	78

a = Key remove

Wiring diagrams



Keylock switch 3 positions, square, IP65

Equipment consisting of (schematic overview)



Actuator



Press frame



Bayonet flange

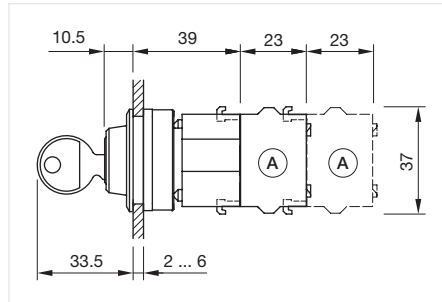


Switching element

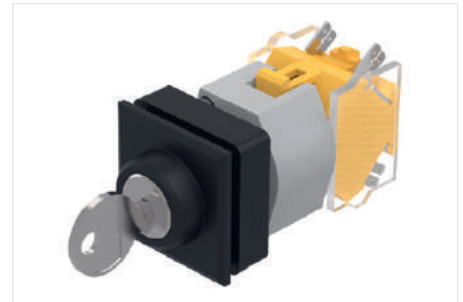
Page 213

Each Part Number listed below includes all the black components shown in the 3D-drawing.

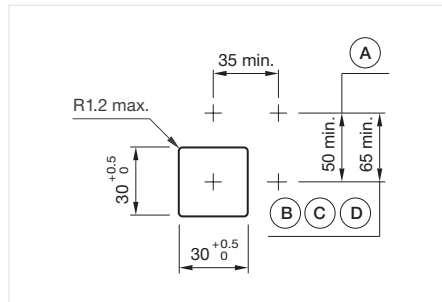
To obtain a complete unit, please select the red components from the pages shown.



Dimensions [mm]
A = Screw terminal



Product can differ from the current configuration.



Mounting cut-outs [mm]
A = Screw terminal
B = Push-in terminal (PIT)
C = Plug-in terminal 6.3 mm x 0.8 mm
D = Double plug-in terminal 6.3 mm x 0.8 mm

General information

- Max. 3 switching elements can be clipped on
- The standard lock Ronis 251



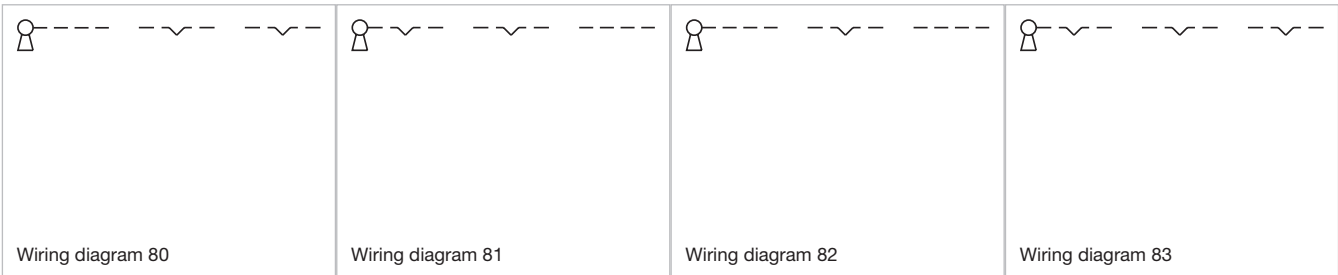
Actuator, Front dimension 35 mm x 35 mm

Switching action	Front bezel colour	Front bezel material	Switching angle	Part No.	Wiring diagram
Maintained (a) - Rest (a) - Maintained (a)	Black	Plastic	90° left / 90° right	704.333.000	83
	Silver	Plastic	90° left / 90° right	704.333.008	83
Maintained - Rest (a) - Maintained	Black	Plastic	42° left / 42° right	704.334.000	83
	Silver	Plastic	42° left / 42° right	704.334.008	83
Momentary - Rest (a) - Momentary	Black	Plastic	42° left / 42° right	704.335.000	82
	Silver	Plastic	42° left / 42° right	704.335.008	82
Maintained (a) - Rest - Maintained (a)	Black	Plastic	42° left / 42° right	704.336.000	83
	Silver	Plastic	42° left / 42° right	704.336.008	83
Maintained (a) - Rest - Momentary	Black	Plastic	42° left / 42° right	704.337.000	81
	Silver	Plastic	42° left / 42° right	704.337.008	81
Momentary - Rest (a) - Maintained	Black	Plastic	42° left / 42° right	704.338.000	80
	Silver	Plastic	42° left / 42° right	704.338.008	80
Maintained (a) - Rest (a) - Momentary	Black	Plastic	42° left / 42° right	704.344.000	81
	Silver	Plastic	42° left / 42° right	704.344.008	81

a = Key remove

04 Flush design

Wiring diagrams



[Come take a look at our YouTube profile today!](https://www.youtube.com/user/eaoswitches) *Be sure to give us a follow so that you can fully interact with us.*

<https://www.youtube.com/user/eaoswitches>

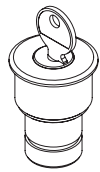
www.eao.com

eao ■

Your Expert Partner for Human Machine Interfaces

Keylock switch 3 positions, round, IP65

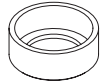
Equipment consisting of (schematic overview)



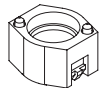
Actuator



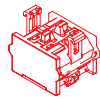
Anti-twist device



Pressure ring



Bayonet flange

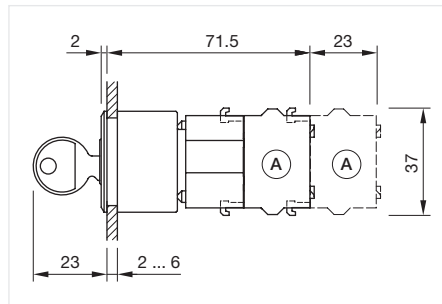


Switching element

Page 213

Each Part Number listed below includes all the black components shown in the 3D-drawing.

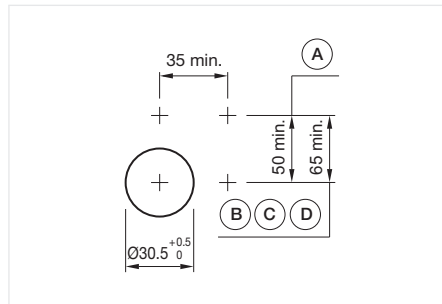
To obtain a complete unit, please select the red components from the pages shown.



Dimensions [mm]
A = Screw terminal



Product can differ from the current configuration.



Mounting cut-outs [mm]
A = Screw terminal
B = Push-in terminal (PIT)
C = Plug-in terminal 6.3 mm x 0.8 mm
D = Double plug-in terminal 6.3 mm x 0.8 mm

General information

- Max. 3 switching elements can be clipped on
- The standard lock Ronis 251
- The colour of anodised aluminium parts can vary due to technical production reasons



Actuator, Front dimension Ø 35 mm

Switching action	Front bezel colour	Front bezel material	Switching angle	Part No.	Wiring diagram
Maintained (a) - Rest (a) - Maintained (a)	Nature	Aluminium	90° left / 90° right	704.113.018	83
Maintained - Rest (a) - Maintained	Nature	Aluminium	42° left / 42° right	704.114.018	83
Momentary - Rest (a) - Momentary	Nature	Aluminium	42° left / 42° right	704.115.018	82
Maintained (a) - Rest - Maintained (a)	Nature	Aluminium	42° left / 42° right	704.116.018	83
Maintained (a) - Rest - Momentary	Nature	Aluminium	42° left / 42° right	704.117.018	81
Momentary - Rest (a) - Maintained	Nature	Aluminium	42° left / 42° right	704.118.018	80
Maintained (a) - Rest (a) - Momentary	Nature	Aluminium	42° left / 42° right	704.124.018	81

a = Key remove

Wiring diagrams

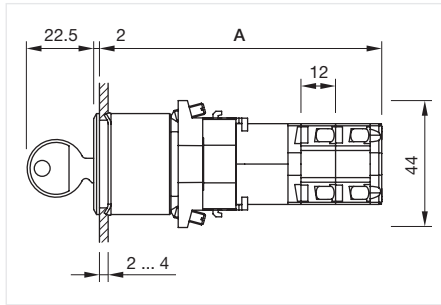
<p>Wiring diagram 80</p>	<p>Wiring diagram 81</p>	<p>Wiring diagram 82</p>	<p>Wiring diagram 83</p>
--------------------------	--------------------------	--------------------------	--------------------------

04 Flush design

Keylock rotary switch, IP65



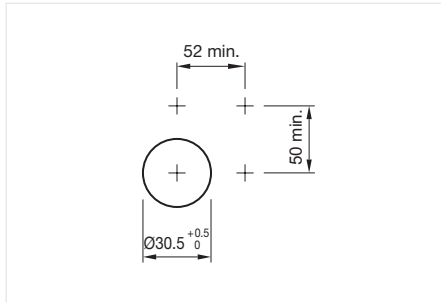
Product can differ from the current configuration.



Dimensions [mm]
 $A = (\text{Number of stages} \times 12) + 66.5 \text{ mm}$

General information

- The standard lock Ronis 251
- The colour of anodised aluminium parts can vary due to technical production reasons



Mounting cut-outs [mm]

Equipment consisting of (schematic overview)



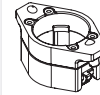
Actuator



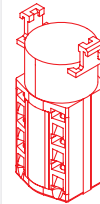
Anti-twist device



Pressure ring



Bayonet flange



Switching element

Page 227

Each Part Number listed below includes all the black components shown in the 3D-drawing.

To obtain a complete unit, please select the red components from the pages shown.



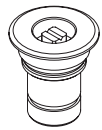
Actuator, Front dimension Ø 35 mm

Switching action	Front bezel colour	Front bezel material	Switching positions	Part No.
Maintained - Rest (a)	Nature	Aluminium	Rest = 12 o'clock	704.123.018KN
	Nature	Aluminium	Rest = 9 o'clock	704.123.118KN

a = Key remove

Key-insert switch 2 positions , IP67

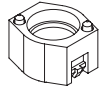
Equipment consisting of (schematic overview)



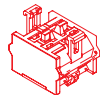
Actuator



Fixing nut



Bayonet flange

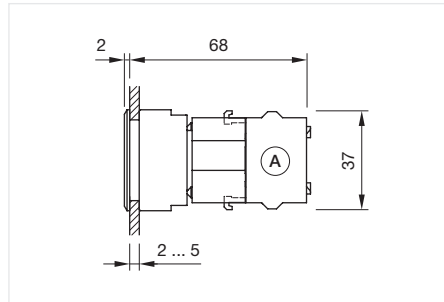


Switching element

Page 213

Each Part Number listed below includes all the black components shown in the 3D-drawing.

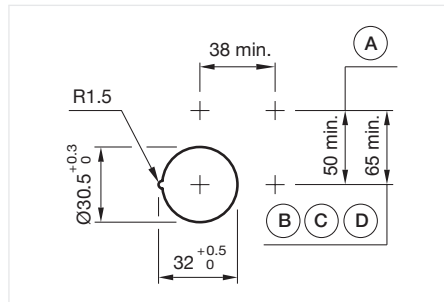
To obtain a complete unit, please select the red components from the pages shown.



Dimensions [mm]
A = Screw terminal



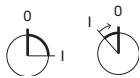
Product can differ from the current configuration.



Mounting cut-outs [mm]
A = Screw terminal
B = Push-in terminal (PIT)
C = Plug-in terminal 6.3 mm x 0.8 mm
D = Double plug-in terminal 6.3 mm x 0.8 mm

General information

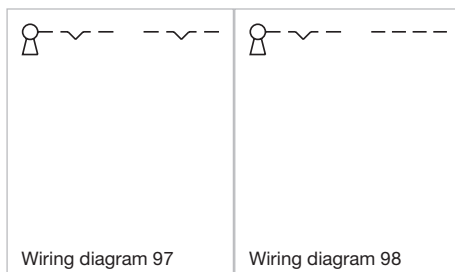
- Max. 3 switching elements can be clipped on
- In the Part-No. „x“ stands for not defined actuator



Actuator, Front dimension \varnothing 38 mm

Switching action	Front bezel colour	Front bezel material	Switching angle	Part No.	Wiring diagram
Rest - Maintained	Nature	Stainless steel	90° right	704.101.0x28	97
Rest - Momentary	Nature	Stainless steel	45° left	704.103.0x28	98

Wiring diagrams



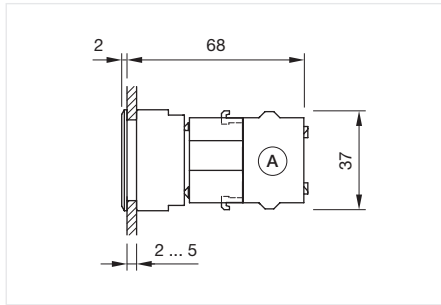
01
02
03
04
09
14
17
18
19
22
31
41
45
51
56
57
61
70
71
82
84
92
96

04 Flush design

Key-insert switch 3 positions, IP67



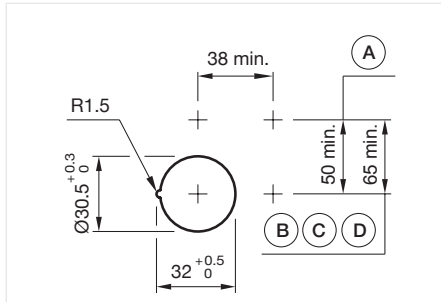
Product can differ from the current configuration.



Dimensions [mm]
A = Screw terminal

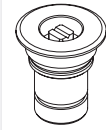
General information

- Max. 3 switching elements can be clipped on
- In the Part-No. „x“ stands for not defined actuator



Mounting cut-outs [mm]
A = Screw terminal
B = Push-in terminal (PIT)
C = Plug-in terminal 6.3 mm x 0.8 mm
D = Double plug-in terminal 6.3 mm x 0.8 mm

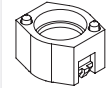
Equipment consisting of (schematic overview)



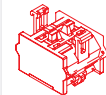
Actuator



Fixing nut



Bayonet flange

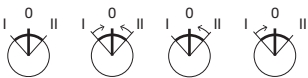


Switching element

Page 213

Each Part Number listed below includes all the black components shown in the 3D-drawing.

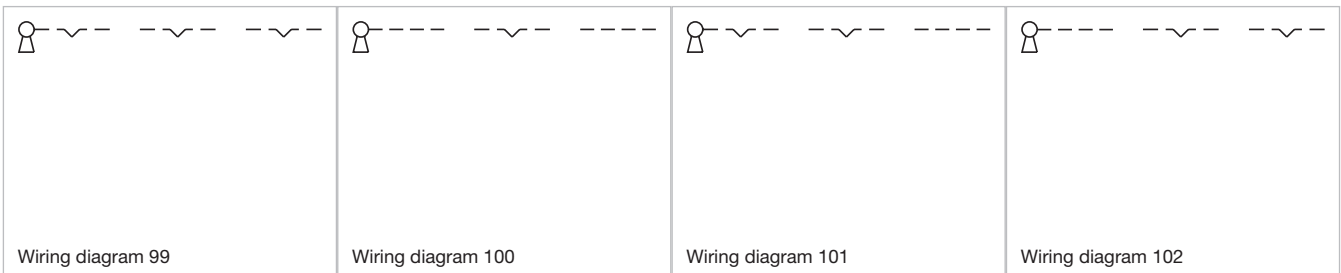
To obtain a complete unit, please select the red components from the pages shown.



Actuator, Front dimension Ø 38 mm

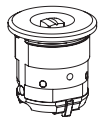
Switching action	Front bezel colour	Front bezel material	Switching angle	Part No.	Wiring diagram
Maintained - Rest - Maintained	Nature	Stainless steel	45° left / 45° right	704.093.0x28	99
Momentary - Rest - Momentary	Nature	Stainless steel	45° left / 45° right	704.095.0x28	100
Maintained - Rest - Momentary	Nature	Stainless steel	45° left / 45° right	704.097.0x28	101
Momentary - Rest - Maintained	Nature	Stainless steel	45° left / 45° right	704.099.0x28	102

Wiring diagrams



Key-insert switch 3 positions, conductor switch, IP67

Equipment consisting of (schematic overview)



Actuator



Actuator

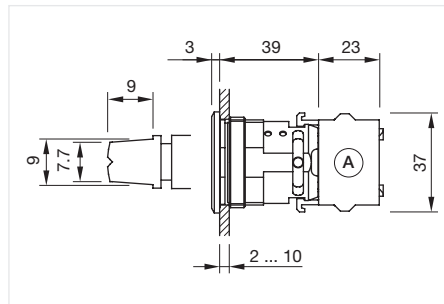


Switching element

Page 213

Each Part Number listed below includes all the black components shown in the 3D-drawing.

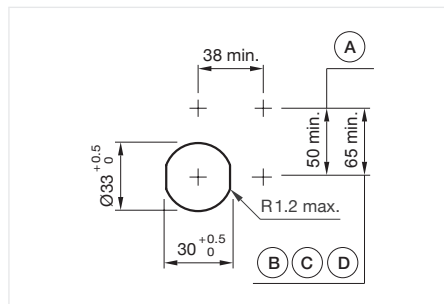
To obtain a complete unit, please select the red components from the pages shown.



Dimensions [mm]
A = Screw terminal



Product can differ from the current configuration.



Mounting cut-outs [mm]
A = Screw terminal
B = Push-in terminal (PIT)
C = Plug-in terminal 6.3 mm x 0.8 mm
D = Double plug-in terminal 6.3 mm x 0.8 mm

General information

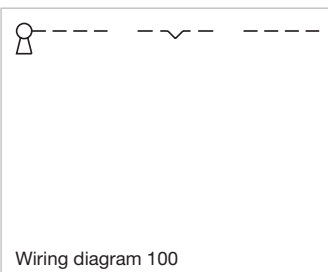
- Max. 1 switching element can be clipped on



Actuator, Front dimension Ø 38 mm

Switching action	Front bezel colour	Front bezel material	Switching angle	Part No.	Wiring diagram
Momentary - Rest - Momentary	Nature	Stainless steel	42° left / 42° right	704.095.0T28N	100

Wiring diagrams



04 Flush design

Lever switch, IP54



Product can differ from the current configuration.

General information

- For all units are the levers 02 (black), 03, 04, 05, 06 (yellow) 13, 14, 15 and 16 available (levers 6 + 16 according UIC 612). Special levers on request
- Front bezel can also be delivered in black version
- Functions and properties, including lever style and switching positions of the lever switch are being produced according to customer specifications. Please contact your local EAO Sales Office
- Micro-switch contacts: The micro-switch is available with a silver contact or a gold plated silver contact. Contact without positive opening operation is used in the lever switches S41, S42 and S43
- Each lever switch includes a maximum of five micro-switches. Contact with positive opening operation is used in the lever switches S44 and S45. Each lever switch includes a maximum of four micro-switches



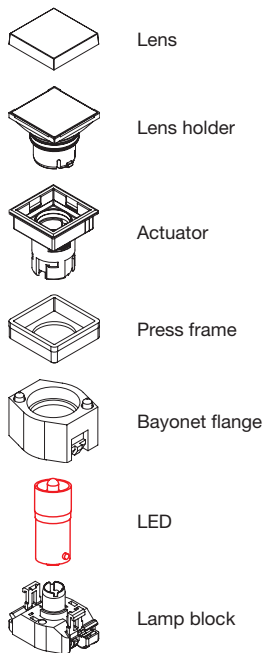
Actuator, Front dimension Ø 40 mm

Product attributes	Front bezel colour	Front bezel material	Front bezel surface	Switching system	Contacts	Part No.
S41: Cage clamp 1.0 mm ... 1.5 mm ² , 1 contact element	Nature	Aluminium	anodised	Snap-action switching element	1 NC / 1 NO	704.151.XXX
S42: JST connector max. 0.2 mm ² (counter plug is supplied), 1 contact element	Nature	Aluminium	anodised	Snap-action switching element	1 NC / 1 NO	704.152.XXX
S43: Plug-in terminal 6.3 mm x 0.8 mm, 1 contact element	Nature	Aluminium	anodised	Snap-action switching element	1 NC / 1 NO	704.153.XXX
S44: Cage clamp 1.0 mm ... 1.5 mm ² , 1 contact element positive open	Nature	Aluminium	anodised	Snap-action switching element	1 NC / 1 NO	704.154.XXX
S45: Screw terminal or plug-in terminal 6.3 mm x 0.8 mm, 1 contact element positive open	Nature	Aluminium	anodised	Snap-action switching element	1 NC / 1 NO	704.155.XXX

Contacts: NC = Normally closed, NO = Normally open

Indicator square, IP65

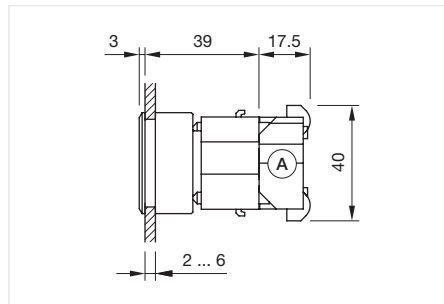
Equipment consisting of (schematic overview)



Page 204

Each Part Number listed below includes all the black components shown in the 3D-drawing.

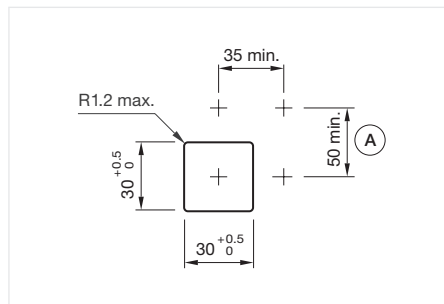
To obtain a complete unit, please select the red components from the pages shown.



Dimensions [mm]
A = Screw terminal



Product can differ from the current configuration.



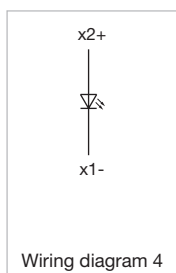
Mounting cut-outs [mm]
A = Screw terminal



Actuator, Front dimension 35 mm x 35 mm

Housing colour	Housing material	Lens colour	Front bezel colour	Front bezel material	Marking plate colour	Marking plate optics	Part No.	Wiring diagram
Black	Plastic	Red	Silver	Plastic	White	translucent	704.202.208	4
	Plastic	Yellow	Silver	Plastic	White	translucent	704.202.408	4
	Plastic	Green	Silver	Plastic	White	translucent	704.202.508	4
	Plastic	Blue	Silver	Plastic	White	translucent	704.202.608	4
	Plastic	Colourless	Silver	Plastic	White	translucent	704.202.708	4
	Plastic	Red	Black	Plastic	White	translucent	704.206.200	4
	Plastic	Yellow	Black	Plastic	White	translucent	704.206.400	4
	Plastic	Green	Black	Plastic	White	translucent	704.206.500	4
	Plastic	Blue	Black	Plastic	White	translucent	704.206.600	4
Plastic	Colourless	Black	Plastic	White	translucent	704.206.700	4	

Wiring diagrams

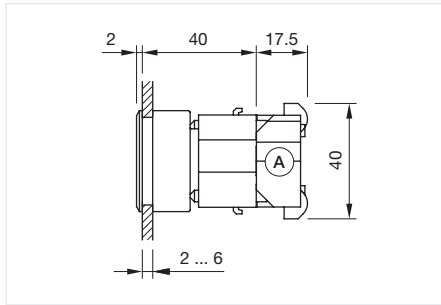


04 Flush design

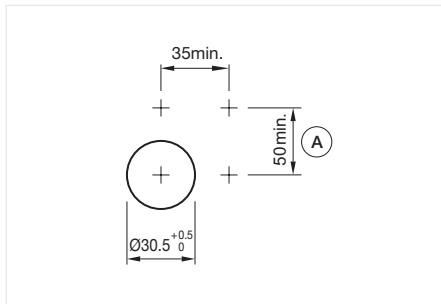
Indicator round, IP65



Product can differ from the current configuration.

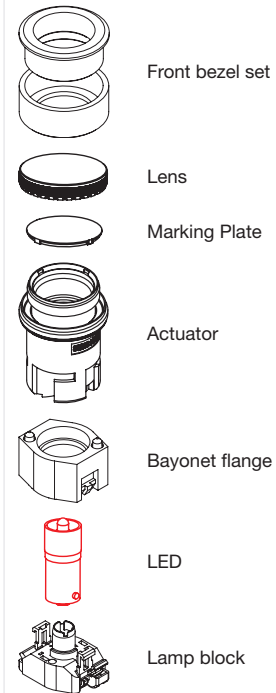


Dimensions [mm]
A = Screw terminal



Mounting cut-outs [mm]
A = Screw terminal

Equipment consisting of (schematic overview)



Page 204

Each Part Number listed below includes all the black components shown in the 3D-drawing.

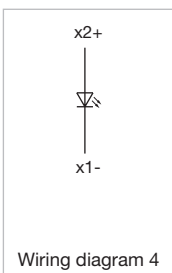
To obtain a complete unit, please select the red components from the pages shown.



Actuator, Front dimension Ø 35 mm





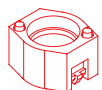

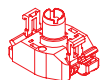
Housing colour	Housing material	Lens colour	Front bezel colour	Front bezel material	Front bezel surface	Part No.	Wiring diagram
Grey	Plastic	Red	Nature	Aluminium	anodised	704.006.218	4
	Plastic	Yellow	Nature	Aluminium	anodised	704.006.418	4
	Plastic	Green	Nature	Aluminium	anodised	704.006.518	4
	Plastic	Blue	Nature	Aluminium	anodised	704.006.618	4
	Plastic	Colourless	Nature	Aluminium	anodised	704.006.718	4

Wiring diagrams



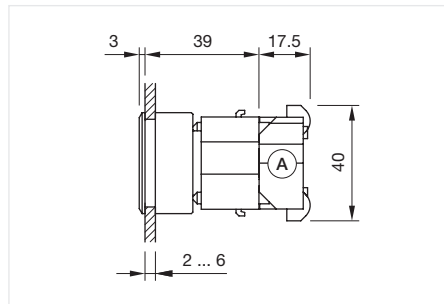
Indicator square, IP65

Equipment consisting of (schematic overview)

-  Lens Page 199
-  Lens holder Page 201
-  Actuator
-  Press frame
-  Bayonet flange Page 203
-  LED Page 204
-  Lamp block Page 210

Each Part Number listed below includes all the black components shown in the 3D-drawing.

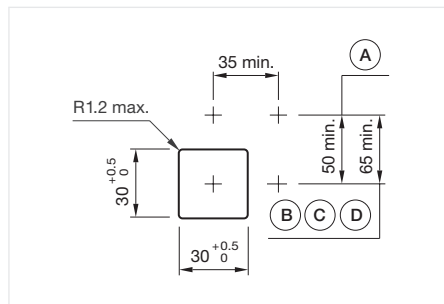
To obtain a complete unit, please select the red components from the pages shown.



Dimensions [mm]
A = Screw terminal



Product can differ from the current configuration.



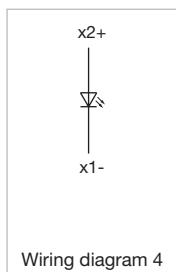
Mounting cut-outs [mm]
A = Screw terminal
B = Push-in terminal (PIT)
C = Plug-in terminal 6.3 mm x 0.8 mm
D = Double plug-in terminal 6.3 mm x 0.8 mm



Actuator, Front dimension 35 mm x 35 mm

Housing colour	Housing material	Front bezel colour	Front bezel material	Part No.	Wiring diagram
Black	Plastic	Black	Plastic	704.743.0	4
	Plastic	Silver	Plastic	704.743.8	4

Wiring diagrams

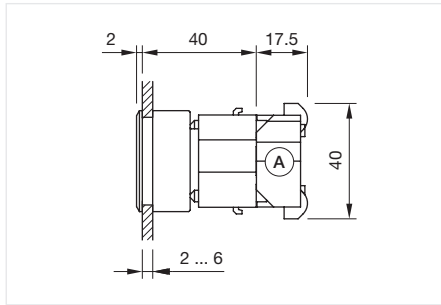


04 Flush design

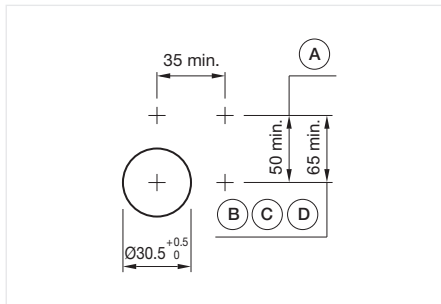
Indicator round, IP65



Product can differ from the current configuration.



Dimensions [mm]
A = Screw terminal



Mounting cut-outs [mm]
A = Screw terminal
B = Push-in terminal (PIT)
C = Plug-in terminal 6.3 mm x 0.8 mm
D = Double plug-in terminal 6.3 mm x 0.8 mm

Equipment consisting of (schematic overview)

	Front bezel set	Page 202
	Lens	Page 199
	Marking Plate	Page 201
	Actuator	
	Bayonet flange	Page 203
	LED	Page 204
	Lamp block	Page 210

Each Part Number listed below includes all the black components shown in the 3D-drawing.

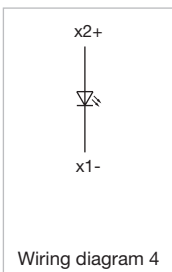
To obtain a complete unit, please select the red components from the pages shown.



Actuator, Front dimension Ø 35 mm

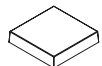
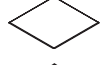



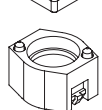

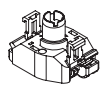
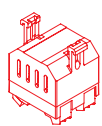
Housing colour	Housing material	Part No.	Wiring diagram
Grey	Plastic	704.633.1	4

Wiring diagrams



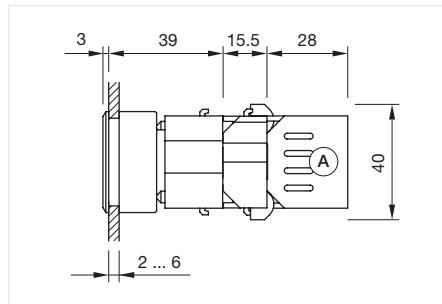
Flasher without LED square, IP65

Equipment consisting of (schematic overview)

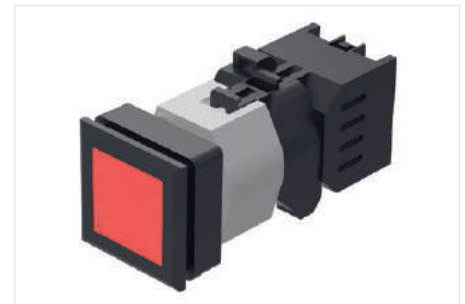
-  Lens
-  Marking foil
-  Lens holder
-  Actuator
-  Press frame
-  Bayonet flange
-  LED Page 204
-  Lamp block
-  Flasher element Page 235

Each Part Number listed below includes all the black components shown in the 3D-drawing.

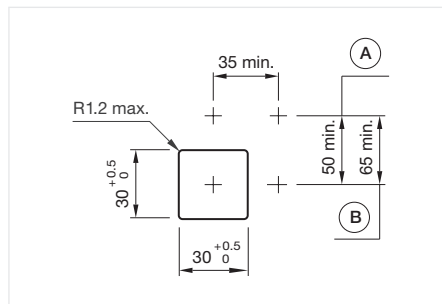
To obtain a complete unit, please select the red components from the pages shown.



Dimensions [mm]
A = Screw terminal



Product can differ from the current configuration.



Mounting cut-outs [mm]
A = Screw terminal
B = Push-in terminal (PIT)

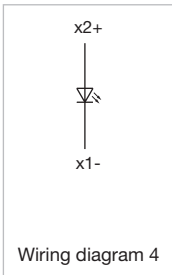


Actuator, Front dimension 35 mm x 35 mm

Housing colour	Housing material	Lens colour	Front bezel colour	Front bezel material	Marking plate colour	Marking plate optics	Part No.	Wiring diagram
Black	Plastic	Red	Silver	Plastic	White	translucent	704.202.208	4
	Plastic	Yellow	Silver	Plastic	White	translucent	704.202.408	4
	Plastic	Green	Silver	Plastic	White	translucent	704.202.508	4
	Plastic	Blue	Silver	Plastic	White	translucent	704.202.608	4
	Plastic	Colourless	Silver	Plastic	White	translucent	704.202.708	4
	Plastic	Red	Black	Plastic	White	translucent	704.206.200	4
	Plastic	Yellow	Black	Plastic	White	translucent	704.206.400	4
	Plastic	Green	Black	Plastic	White	translucent	704.206.500	4
	Plastic	Blue	Black	Plastic	White	translucent	704.206.600	4
Plastic	Colourless	Black	Plastic	White	translucent	704.206.700	4	

04 Flush design

Wiring diagrams



As a successful company with production sites around the world, EAO is actively committed to the effective implementation of a sustainable environmental policy.

We act responsibly. In our environmental focus, we set benchmarks for ourselves, our products and our customers. Throughout our entire value chain, we think and work in a way that is resource-efficient and environmentally-friendly. When selecting our components and raw materials, we ensure that we have partnerships in place with certified manufacturers and that we adhere to EC guidelines on hazardous materials (RoHS).

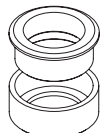



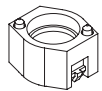

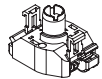
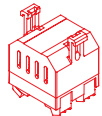


Your Expert Partner for Human Machine Interfaces

www.eao.com

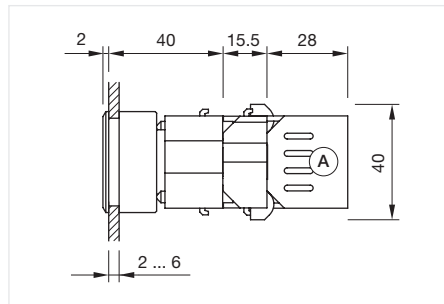
Flasher without LED round, IP65

Equipment consisting of (schematic overview)

-  Front bezel set
-  Lens
-  Marking Plate
-  Actuator
-  Bayonet flange
-  LED Page 204
-  Lamp block
-  Flasher element Page 235

Each Part Number listed below includes all the black components shown in the 3D-drawing.

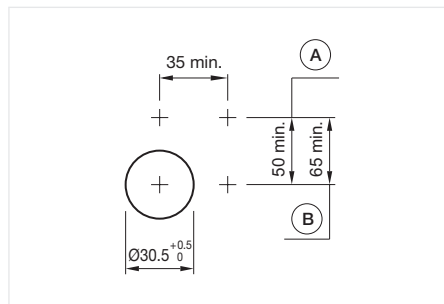
To obtain a complete unit, please select the red components from the pages shown.



Dimensions [mm]
A = Screw terminal



Product can differ from the current configuration.



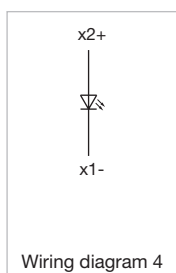
Mounting cut-outs [mm]
A = Screw terminal
B = Push-in terminal (PIT)



Actuator, Front dimension Ø 35 mm

Housing colour	Housing material	Lens colour	Front bezel colour	Front bezel material	Front bezel surface	Part No.	Wiring diagram
Grey	Plastic	Red	Nature	Aluminium	anodised	704.006.218	4
	Plastic	Yellow	Nature	Aluminium	anodised	704.006.418	4
	Plastic	Green	Nature	Aluminium	anodised	704.006.518	4
	Plastic	Blue	Nature	Aluminium	anodised	704.006.618	4
	Plastic	Colourless	Nature	Aluminium	anodised	704.006.718	4

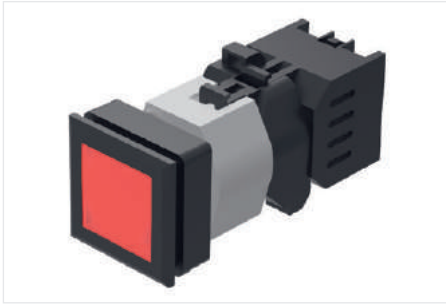
Wiring diagrams



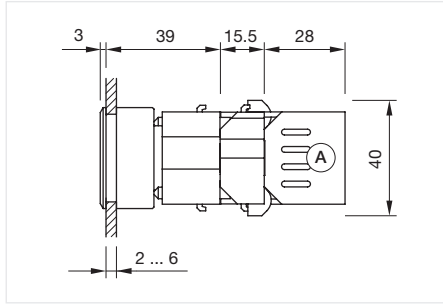
01
02
03
04
09
14
17
18
19
22
31
41
45
51
56
57
61
70
71
82
84
92
96

04 Flush design

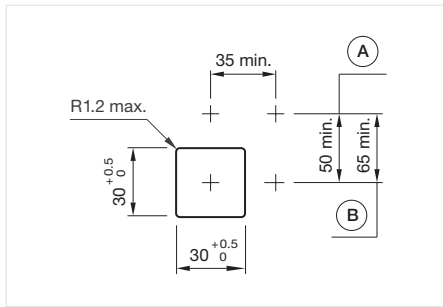
Flasher square, IP65



Product can differ from the current configuration.




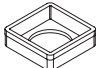
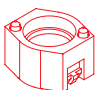

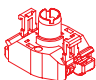



Dimensions [mm]
A = Screw terminal



Mounting cut-outs [mm]
A = Screw terminal
B = Push-in terminal (PIT)

Equipment consisting of (schematic overview)

	Lens	Page 199
	Lens holder	Page 201
	Actuator	
	Press frame	
	Bayonet flange	Page 203
	LED	Page 204
	Lamp block	Page 210
	Flasher element	Page 235

Each Part Number listed below includes all the black components shown in the 3D-drawing.

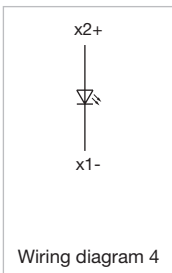
To obtain a complete unit, please select the red components from the pages shown.



Actuator, Front dimension 35 mm x 35 mm

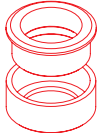



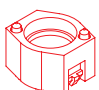
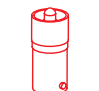
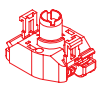
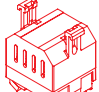
Housing colour	Housing material	Front bezel colour	Front bezel material	Part No.	Wiring diagram
Black	Plastic	Black	Plastic	704.743.0	4
	Plastic	Silver	Plastic	704.743.8	4

Wiring diagrams



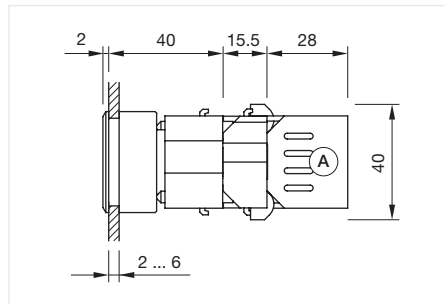
Flasher round, IP65

Equipment consisting of (schematic overview)

	Front bezel set	Page 202
	Lens	Page 199
	Marking Plate	Page 201
	Actuator	
	Bayonet flange	Page 203
	LED	Page 204
	Lamp block	Page 210
	Flasher element	Page 235

Each Part Number listed below includes all the black components shown in the 3D-drawing.

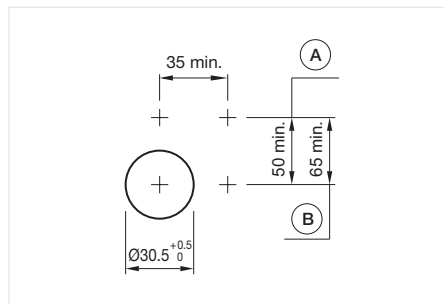
To obtain a complete unit, please select the red components from the pages shown.



Dimensions [mm]
A = Screw terminal



Product can differ from the current configuration.



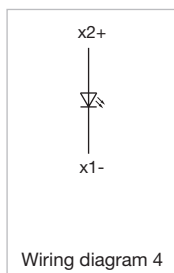
Mounting cut-outs [mm]
A = Screw terminal
B = Push-in terminal (PIT)



Actuator, Front dimension \varnothing 35 mm

Housing colour	Housing material	Part No.	Wiring diagram
Grey	Plastic	704.633.1	4

Wiring diagrams

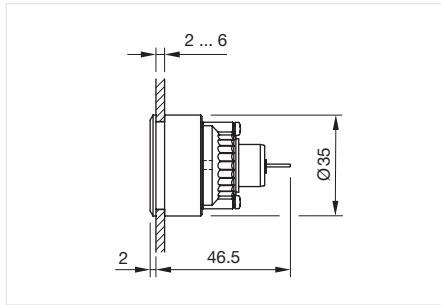


04 Flush design

Buzzer, IP40



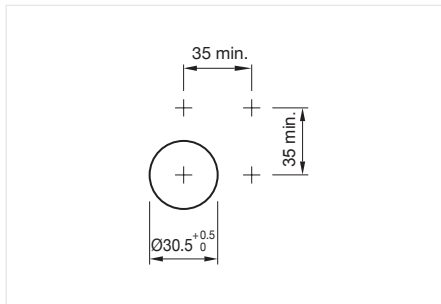
Product can differ from the current configuration.



Dimensions [mm]

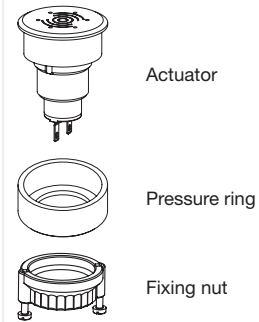
General information

- Further information see Technical data



Mounting cut-outs [mm]

Equipment consisting of (schematic overview)



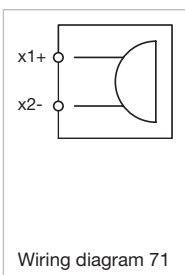
Each Part Number listed below includes all the black components shown in the 3D-drawing.



Actuator, Front dimension Ø 35 mm

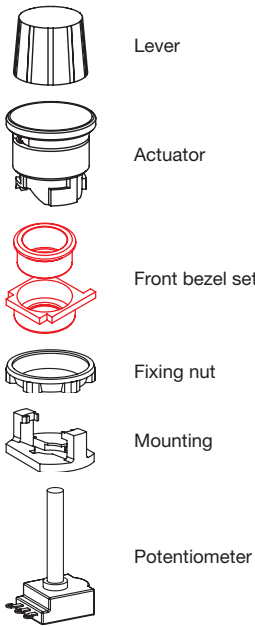
Terminal	Operating voltage	Front cap colour	Front cap material	Front cap surface	Part No.	Wiring diagram
Plug-in terminal	24 V DC	Black	Aluminium	anodised	14-810.910	71
	24 V DC	Nature	Aluminium	anodised	14-810.918	71

Wiring diagrams



Potentiometer, IP65

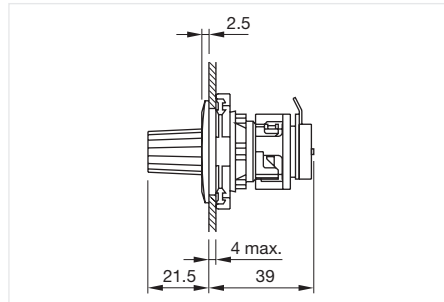
Equipment consisting of (schematic overview)



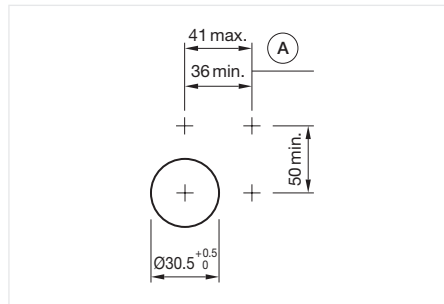
Page 202

Each Part Number listed below includes all the black components shown in the 3D-drawing.

To obtain a complete unit, please select the red components from the pages shown.



Dimensions [mm]



Mounting cut-outs [mm]
A = Action range of aligning pins



Product can differ from the current configuration.

General information

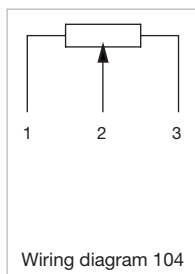
- For front dimensions 36 mm x 36 mm, \varnothing 36 mm



Actuator, Front dimension \varnothing 36 mm

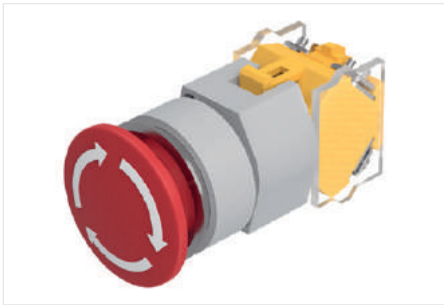
Housing material	Front bezel colour	Front bezel material	Front bezel surface	Resistance	Part No.	Wiring diagram
Plastic		Metal	matt chrome	10 kOhm	44-745.20-10K1	104
	Matt grey	Plastic		10 kOhm	44-745.60-10K1	104

Wiring diagrams



04 Flush design

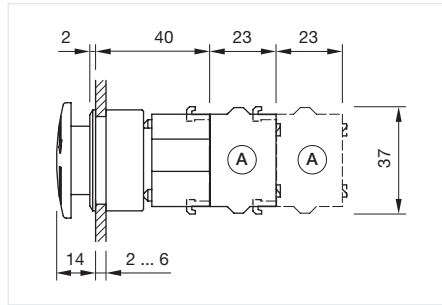
Stop switch, IP65



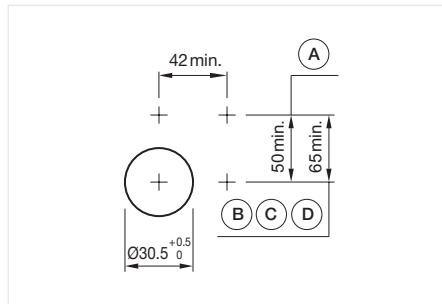
Product can differ from the current configuration.

General information

- Max. 3 switching elements can be clipped on
- Twist to unlock clockwise

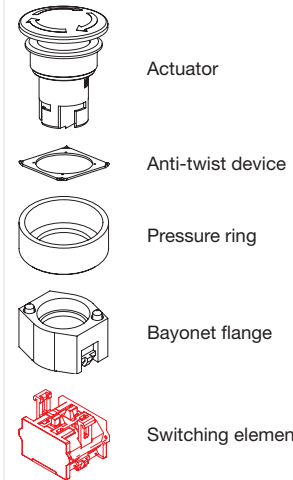


Dimensions [mm]
A = Screw terminal



Mounting cut-outs [mm]
A = Screw terminal
B = Push-in terminal (PIT)
C = Plug-in terminal 6.3 mm x 0.8 mm
D = Double plug-in terminal 6.3 mm x 0.8 mm

Equipment consisting of (schematic overview)



Page 213

Each Part Number listed below includes all the black components shown in the 3D-drawing.

To obtain a complete unit, please select the red components from the pages shown.



Actuator, Front dimension Ø 40 mm

Switching action	Lens colour	Front bezel colour	Front bezel material	Front bezel surface	Marking	Part No.	Wiring diagram
Maintained	Red	Black	Aluminium	anodised	Arrows	704.074.210	76
	Red	Nature	Aluminium	anodised	Arrows	704.075.218	76
	Red	Black	Aluminium	anodised	Stop	704.075.310	76
	Red	Nature	Aluminium	anodised	Stop	704.075.318	76

Wiring diagrams



Pushbutton square, IP67

Equipment consisting of (schematic overview)



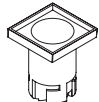
Front bezel



Lens



Lens holder



Actuator



Bayonet flange

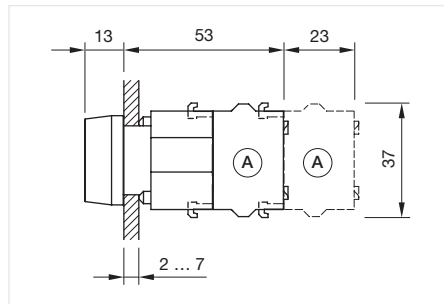


Switching element

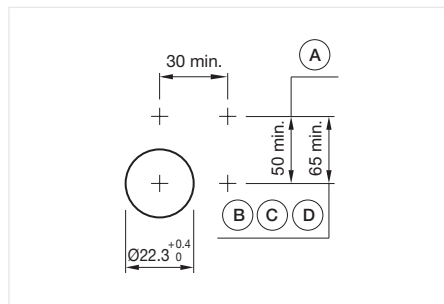
Page 213

Each Part Number listed below includes all the black components shown in the 3D-drawing.

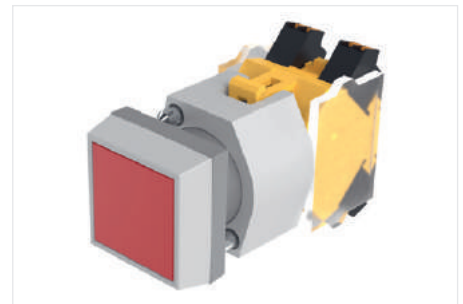
To obtain a complete unit, please select the red components from the pages shown.



Dimensions [mm]
A = Screw terminal



Mounting cut-outs [mm]
A = Screw terminal
B = Push-in terminal (PIT)
C = Plug-in terminal 6.3 mm x 0.8 mm
D = Double plug-in terminal 6.3 mm x 0.8 mm



Product can differ from the current configuration.

General information

- Max. 3 switching elements can be clipped on



Actuator, Front dimension 30 mm x 30 mm

Switching action	Front bezel colour	Front bezel material	Lens colour	Lens material	Housing colour	Housing material	Part No.	Wiring diagram
Momentary	Black	Plastic	Black	Plastic	Black	Plastic	704.209.0	72
	Black	Plastic	Red	Plastic	Black	Plastic	704.209.2	72
	Black	Plastic	Yellow	Plastic	Black	Plastic	704.209.4	72
	Black	Plastic	Green	Plastic	Black	Plastic	704.209.5	72
	Black	Plastic	Blue	Plastic	Black	Plastic	704.209.6	72
	Black	Plastic	Colourless	Plastic	Black	Plastic	704.209.7	72
	Grey	Plastic	Black	Plastic	Black	Plastic	704.210.0	72
	Grey	Plastic	Red	Plastic	Black	Plastic	704.210.2	72
	Grey	Plastic	Yellow	Plastic	Black	Plastic	704.210.4	72
	Grey	Plastic	Green	Plastic	Black	Plastic	704.210.5	72
	Grey	Plastic	Blue	Plastic	Black	Plastic	704.210.6	72
	Grey	Plastic	Colourless	Plastic	Black	Plastic	704.210.7	72
Maintained	Black	Plastic	Black	Plastic	Black	Plastic	704.239.0	73
	Black	Plastic	Red	Plastic	Black	Plastic	704.239.2	73
	Black	Plastic	Green	Plastic	Black	Plastic	704.239.5	73
	Black	Plastic	Colourless	Plastic	Black	Plastic	704.239.7	73
	Grey	Plastic	Black	Plastic	Black	Plastic	704.240.0	73
	Grey	Plastic	Red	Plastic	Black	Plastic	704.240.2	73
	Grey	Plastic	Yellow	Plastic	Black	Plastic	704.240.4	73
	Grey	Plastic	Green	Plastic	Black	Plastic	704.240.5	73
Grey	Plastic	Colourless	Plastic	Black	Plastic	704.240.7	73	

04 Raised design

Wiring diagrams

E---

E~--

Wiring diagram 72

Wiring diagram 73



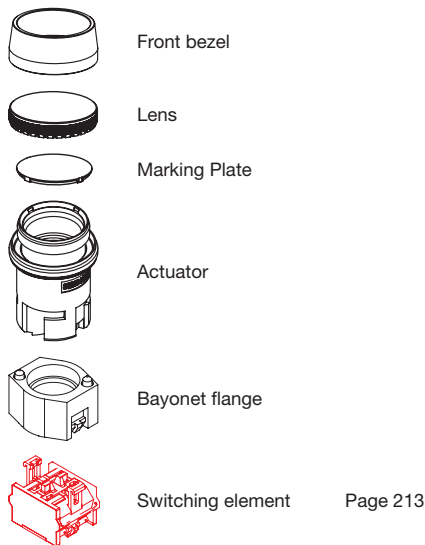
Modern. Tactile and long-lasting.
Series 04 illuminated selector switches.

Intuitive and reliable operation for enhanced safety in public transportation.

- Bright, single or bi-colour LED illumination
- Modern, ergonomic design
- Rounded edges (in accordance with DIN 5566-1)
- Excellent tactile feedback
- Long service life and robust construction
- Wide range of possible combinations and options

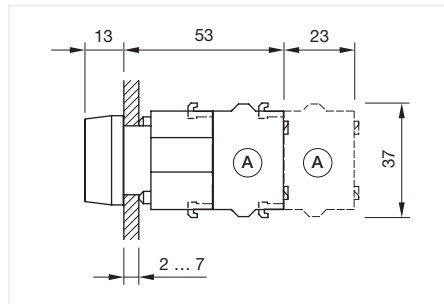
Pushbutton round

Equipment consisting of (schematic overview)



Each Part Number listed below includes all the black components shown in the 3D-drawing.

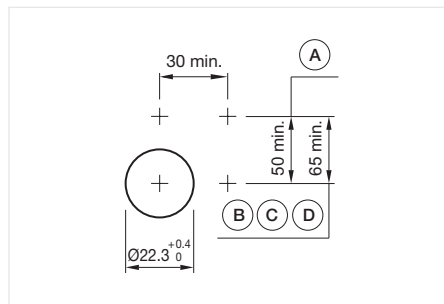
To obtain a complete unit, please select the red components from the pages shown.



Dimensions [mm]
A = Screw terminal



Product can differ from the current configuration.



Mounting cut-outs [mm]
A = Screw terminal
B = Push-in terminal (PIT)
C = Plug-in terminal 6.3 mm x 0.8 mm
D = Double plug-in terminal 6.3 mm x 0.8 mm

General information

- Max. 3 switching elements can be clipped on



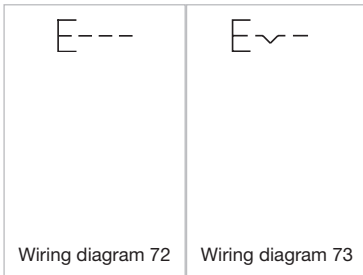
Actuator, Front dimension Ø 29 mm

Switching action	Front bezel colour	Front bezel material	Front bezel surface	Lens colour	Lens material	Housing colour	Housing material	IP front protection	Part No.	Wiring diagram
Momentary	Black	Plastic		Black	Plastic	Grey	Plastic	IP65	704.009.0	72
	Black	Plastic		Red	Plastic	Grey	Plastic	IP65	704.009.2	72
	Black	Plastic		Yellow	Plastic	Grey	Plastic	IP65	704.009.4	72
	Black	Plastic		Green	Plastic	Grey	Plastic	IP65	704.009.5	72
	Black	Plastic		Blue	Plastic	Grey	Plastic	IP65	704.009.6	72
	Grey	Plastic		Colourless	Plastic	Grey	Plastic	IP65	704.009.7	72
	Grey	Plastic		Black	Plastic	Grey	Plastic	IP65	704.010.0	72
	Grey	Plastic		Red	Plastic	Grey	Plastic	IP65	704.010.2	72
	Grey	Plastic		Yellow	Plastic	Grey	Plastic	IP65	704.010.4	72
	Grey	Plastic		Green	Plastic	Grey	Plastic	IP65	704.010.5	72
	Grey	Plastic		Blue	Plastic	Grey	Plastic	IP65	704.010.6	72
	Grey	Plastic		Colourless	Plastic	Grey	Plastic	IP65	704.010.7	72
	Nature	Aluminium	anodised	Black	Aluminium	Grey	Plastic	IP65	704.011.0	72

04 Raised design

Switching action	Front bezel colour	Front bezel material	Front bezel surface	Lens colour	Lens material	Housing colour	Housing material	IP front protection	Part No.	Wiring diagram
Momentary	Nature	Aluminium	anodised	Red	Aluminium	Grey	Plastic	IP65	704.011.2	72
	Nature	Aluminium	anodised	Gold	Aluminium	Grey	Plastic	IP65	704.011.4	72
	Nature	Aluminium	anodised	Olive green	Aluminium	Grey	Plastic	IP65	704.011.5	72
	Nature	Aluminium	anodised	Blue	Aluminium	Grey	Plastic	IP65	704.011.6	72
	Nature	Aluminium	anodised	Nature	Aluminium	Grey	Plastic	IP65	704.011.8	72
	Nature	Aluminium	anodised	Black	Plastic	Grey	Plastic	IP65	704.012.0	72
	Nature	Aluminium	anodised	Red	Plastic	Grey	Plastic	IP65	704.012.2	72
	Nature	Aluminium	anodised	Yellow	Plastic	Grey	Plastic	IP65	704.012.4	72
	Nature	Aluminium	anodised	Green	Plastic	Grey	Plastic	IP65	704.012.5	72
	Nature	Aluminium	anodised	Blue	Plastic	Grey	Plastic	IP65	704.012.6	72
Nature	Aluminium	anodised	Colourless	Plastic	Grey	Plastic	IP65	704.012.7	72	
Maintained	Black	Plastic		Black	Plastic	Grey	Plastic	IP65	704.039.0	73
	Black	Plastic		Red	Plastic	Grey	Plastic	IP65	704.039.2	73
	Black	Plastic		Yellow	Plastic	Grey	Plastic	IP65	704.039.4	73
	Black	Plastic		Green	Plastic	Grey	Plastic	IP65	704.039.5	73
	Black	Plastic		Blue	Plastic	Grey	Plastic	IP65	704.039.6	73
	Black	Plastic		Colourless	Plastic	Grey	Plastic	IP65	704.039.7	73
	Grey	Plastic		Black	Plastic	Grey	Plastic	IP65	704.040.0	73
	Grey	Plastic		Red	Plastic	Grey	Plastic	IP65	704.040.2	73
	Grey	Plastic		Yellow	Plastic	Grey	Plastic	IP65	704.040.4	73
	Grey	Plastic		Green	Plastic	Grey	Plastic	IP65	704.040.5	73
	Grey	Plastic		Blue	Plastic	Grey	Plastic	IP65	704.040.6	73
	Grey	Plastic		Colourless	Plastic	Grey	Plastic	IP65	704.040.7	73
	Nature	Aluminium	anodised	Black	Aluminium	Grey	Plastic	IP65	704.041.0	73
	Nature	Aluminium	anodised	Red	Aluminium	Grey	Plastic	IP65	704.041.2	73
	Nature	Aluminium	anodised	Olive green	Aluminium	Grey	Plastic	IP65	704.041.5	73
	Nature	Aluminium	anodised		Aluminium	Grey	Plastic	IP65	704.041.6	73
	Nature	Aluminium	anodised	Nature	Aluminium	Grey	Plastic	IP65	704.041.8	73
	Nature	Aluminium	anodised	Black	Plastic	Grey	Plastic	IP65	704.042.0	73
	Nature	Aluminium	anodised	Red	Plastic	Grey	Plastic	IP65	704.042.2	73
	Nature	Aluminium	anodised	Yellow	Plastic	Grey	Plastic	IP65	704.042.4	73
Nature	Aluminium	anodised	Green	Plastic	Grey	Plastic	IP65	704.042.5	73	
Nature	Aluminium	anodised	Blue	Plastic	Grey	Plastic	IP65	704.042.6	73	
Nature	Aluminium	anodised	Colourless	Plastic	Grey	Plastic	IP65	704.042.7	73	
Momentary	Nature	Aluminium	anodised	Black	Plastic	Grey	Plastic	IP67	704.013.0	72
	Nature	Aluminium	anodised	Red	Plastic	Grey	Plastic	IP67	704.013.2	72
	Nature	Aluminium	anodised	Yellow	Plastic	Grey	Plastic	IP67	704.013.4	72
	Nature	Aluminium	anodised	Green	Plastic	Grey	Plastic	IP67	704.013.5	72
	Nature	Aluminium	anodised	Blue	Plastic	Grey	Plastic	IP67	704.013.6	72
	Nature	Aluminium	anodised	Colourless	Plastic	Grey	Plastic	IP67	704.013.7	72
Maintained	Nature	Aluminium	anodised	Black	Plastic	Grey	Plastic	IP67	704.043.0	73
	Nature	Aluminium	anodised	Red	Plastic	Grey	Plastic	IP67	704.043.2	73
	Nature	Aluminium	anodised	Colourless	Plastic	Grey	Plastic	IP67	704.043.7	73

Wiring diagrams



- 01
- 02
- 03
- 04**
- 09
- 14
- 17
- 18
- 19
- 22
- 31
- 41
- 45
- 51
- 56
- 57
- 61
- 70
- 71
- 82
- 84
- 92
- 96



EAO.
Award winning.
EAO creates possibilities. Since 1947.



EAO provides outstanding design – based almost exclusively on functional and technological considerations.

EAO's products and solutions have won numerous design awards over the years.

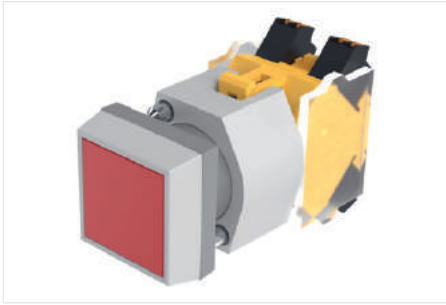
www.eao.com



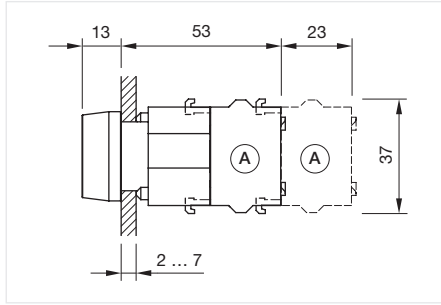
Your Expert Partner for Human Machine Interfaces

04 Raised design

Pushbutton square, IP65



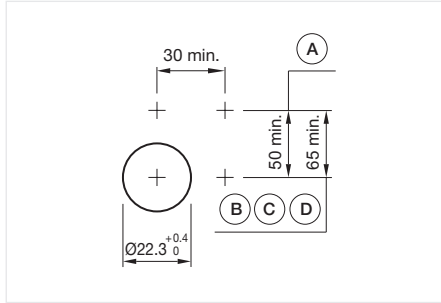
Product can differ from the current configuration.



Dimensions [mm]
A = Screw terminal

General information

- Max. 3 switching elements can be clipped on



Mounting cut-outs [mm]
A = Screw terminal
B = Push-in terminal (PIT)
C = Plug-in terminal 6.3 mm x 0.8 mm
D = Double plug-in terminal 6.3 mm x 0.8 mm

Equipment consisting of (schematic overview)

	Front bezel	Page 202
	Lens	Page 199
	Lens holder	Page 201
	Actuator	
	Bayonet flange	Page 203
	Switching element	Page 213

Each Part Number listed below includes all the black components shown in the 3D-drawing.

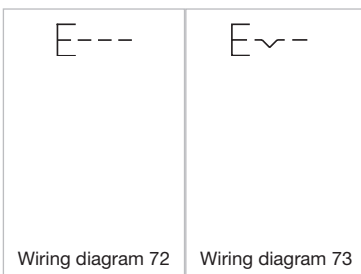
To obtain a complete unit, please select the red components from the pages shown.



Actuator, Front dimension 30 mm x 30 mm





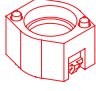
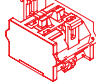
Switching action	Housing colour	Housing material	Part No.	Wiring diagram
Momentary	Black	Plastic	704.731.0	72
	Grey	Plastic	704.731.1	72
Maintained	Black	Plastic	704.732.0	73
	Grey	Plastic	704.732.1	73

Wiring diagrams



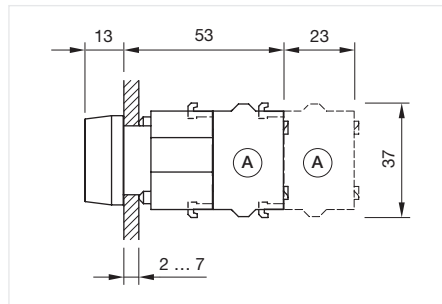
Pushbutton round, IP65

Equipment consisting of (schematic overview)

	Front bezel	Page 202
	Lens	Page 199
	Marking Plate	Page 201
	Actuator	
	Bayonet flange	Page 203
	Switching element	Page 213

Each Part Number listed below includes all the black components shown in the 3D-drawing.

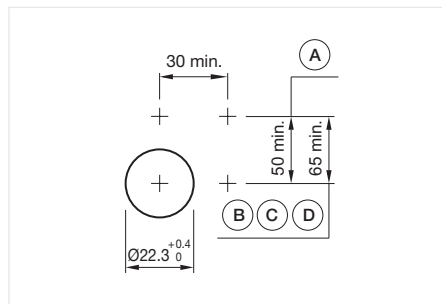
To obtain a complete unit, please select the red components from the pages shown.



Dimensions [mm]
A = Screw terminal



Product can differ from the current configuration.



Mounting cut-outs [mm]
A = Screw terminal
B = Push-in terminal (PIT)
C = Plug-in terminal 6.3 mm x 0.8 mm
D = Double plug-in terminal 6.3 mm x 0.8 mm

General information

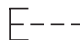

- Frontring with protective cover to be mounted with a torque of 0.4 Nm onto actuator
- Max. 3 switching elements can be clipped on



Actuator, Front dimension Ø 29 mm

Switching action	Housing colour	Housing material	Part No.	Wiring diagram
Momentary	Grey	Plastic	704.631.1	72
Maintained	Grey	Plastic	704.632.1	73

Wiring diagrams

	
Wiring diagram 72	Wiring diagram 73

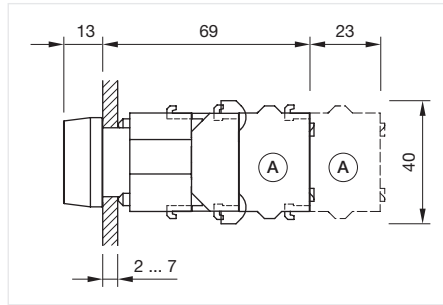
01
02
03
04
09
14
17
18
19
22
31
41
45
51
56
57
61
70
71
82
84
92
96

04 Raised design

Illuminated pushbutton square, IP65



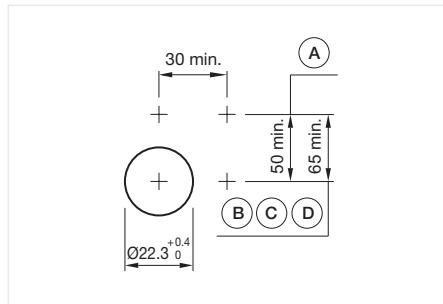
Product can differ from the current configuration.



Dimensions [mm]
A = Screw terminal

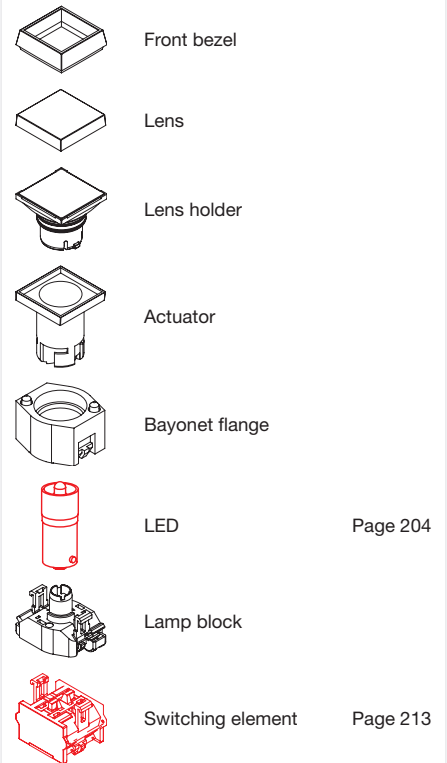
General information

- Max. 3 switching elements can be clipped on



Mounting cut-outs [mm]
A = Screw terminal
B = Push-in terminal (PIT)
C = Plug-in terminal 6.3 mm x 0.8 mm
D = Double plug-in terminal 6.3 mm x 0.8 mm

Equipment consisting of (schematic overview)



Each Part Number listed below includes all the black components shown in the 3D-drawing.

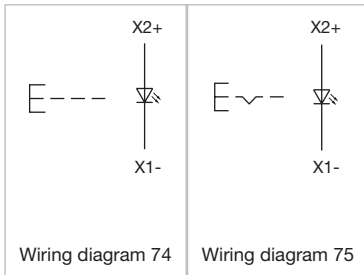
To obtain a complete unit, please select the red components from the pages shown.



Actuator, Front dimension 30 mm x 30 mm

Switching action	Front bezel colour	Front bezel material	Lens colour	Lens material	Housing colour	Housing material	Part No.	Wiring diagram
Momentary	Black	Plastic	Red	Plastic	Black	Plastic	704.229.2	74
	Black	Plastic	Yellow	Plastic	Black	Plastic	704.229.4	74
	Black	Plastic	Green	Plastic	Black	Plastic	704.229.5	74
	Black	Plastic	Blue	Plastic	Black	Plastic	704.229.6	74
	Black	Plastic	Colourless	Plastic	Black	Plastic	704.229.7	74
	Grey	Plastic	Red	Plastic	Black	Plastic	704.230.2	74
	Grey	Plastic	Yellow	Plastic	Black	Plastic	704.230.4	74
	Grey	Plastic	Green	Plastic	Black	Plastic	704.230.5	74
	Grey	Plastic	Blue	Plastic	Black	Plastic	704.230.6	74
	Grey	Plastic	Colourless	Plastic	Black	Plastic	704.230.7	74
Maintained	Black	Plastic	Red	Plastic	Black	Plastic	704.259.2	75
	Black	Plastic	Yellow	Plastic	Black	Plastic	704.259.4	75
	Black	Plastic	Green	Plastic	Black	Plastic	704.259.5	75
	Black	Plastic	Blue	Plastic	Black	Plastic	704.259.6	75
	Black	Plastic	Colourless	Plastic	Black	Plastic	704.259.7	75
	Grey	Plastic	Red	Plastic	Black	Plastic	704.260.2	75
	Grey	Plastic	Yellow	Plastic	Black	Plastic	704.260.4	75
	Grey	Plastic	Green	Plastic	Black	Plastic	704.260.5	75
	Grey	Plastic	Blue	Plastic	Black	Plastic	704.260.6	75
	Grey	Plastic	Colourless	Plastic	Black	Plastic	704.260.7	75

Wiring diagrams



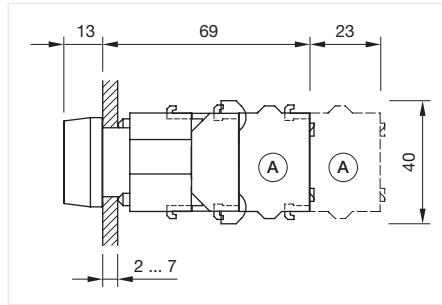
- 01
- 02
- 03
- 04**
- 09
- 14
- 17
- 18
- 19
- 22
- 31
- 41
- 45
- 51
- 56
- 57
- 61
- 70
- 71
- 82
- 84
- 92
- 96

04 Raised design

Illuminated pushbutton round



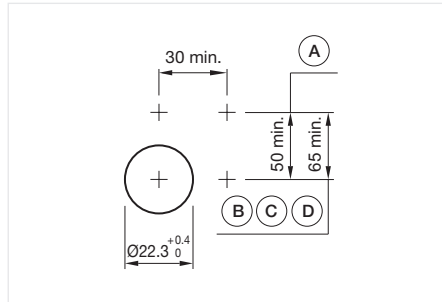
Product can differ from the current configuration.



Dimensions [mm]
A = Screw terminal

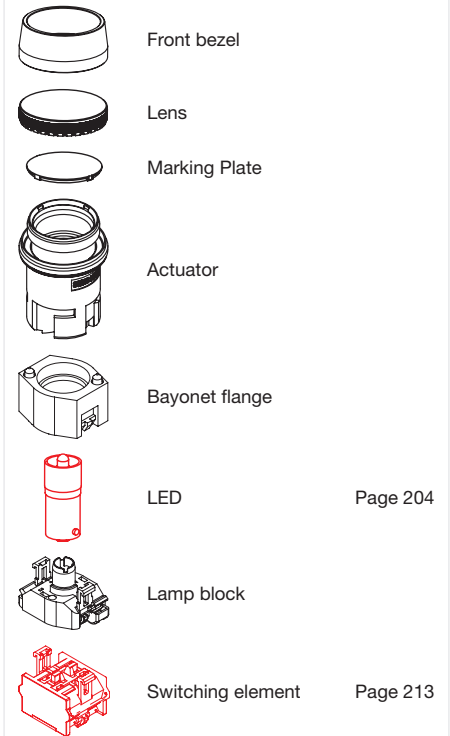
General information

- Frontring with protective cover to be mounted with a torque of 0.4 Nm onto actuator
- Max. 3 switching elements can be clipped on
- The colour of anodised aluminium parts can vary due to technical production reasons



Mounting cut-outs [mm]
A = Screw terminal
B = Push-in terminal (PIT)
C = Plug-in terminal 6.3 mm x 0.8 mm
D = Double plug-in terminal 6.3 mm x 0.8 mm

Equipment consisting of (schematic overview)



Page 204

Page 213

Each Part Number listed below includes all the black components shown in the 3D-drawing.

To obtain a complete unit, please select the red components from the pages shown.

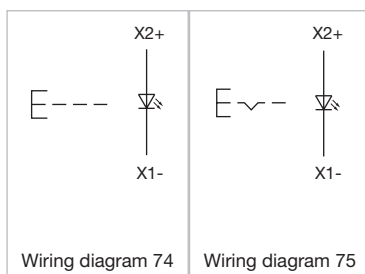


Actuator, Front dimension Ø 29 mm

Switching action	Front bezel colour	Front bezel material	Front bezel surface	Lens colour	Lens material	Housing colour	Housing material	Part No.	Wiring diagram
Momentary	Black	Plastic		Red	Plastic	Grey	Plastic	704.029.2	74
	Black	Plastic		Yellow	Plastic	Grey	Plastic	704.029.4	74
	Black	Plastic		Green	Plastic	Grey	Plastic	704.029.5	74
	Black	Plastic		Blue	Plastic	Grey	Plastic	704.029.6	74
	Black	Plastic		Colour-less	Plastic	Grey	Plastic	704.029.7	74
	Grey	Plastic		Red	Plastic	Grey	Plastic	704.030.2	74
	Grey	Plastic		Yellow	Plastic	Grey	Plastic	704.030.4	74
	Grey	Plastic		Green	Plastic	Grey	Plastic	704.030.5	74
	Grey	Plastic		Blue	Plastic	Grey	Plastic	704.030.6	74
	Grey	Plastic		Colour-less	Plastic	Grey	Plastic	704.030.7	74
	Nature	Aluminium	anodised	Red	Plastic	Grey	Plastic	704.032.2	74
	Nature	Aluminium	anodised	Yellow	Plastic	Grey	Plastic	704.032.4	74
	Nature	Aluminium	anodised	Green	Plastic	Grey	Plastic	704.032.5	74
	Nature	Aluminium	anodised	Blue	Plastic	Grey	Plastic	704.032.6	74
Nature	Aluminium	anodised	Colour-less	Plastic	Grey	Plastic	704.032.7	74	
Nature	Aluminium	anodised	Red	Plastic	Grey	Plastic	704.033.2	74	

Switching action	Front bezel colour	Front bezel material	Front bezel surface	Lens colour	Lens material	Housing colour	Housing material	Part No.	Wiring diagram
Momentary	Nature	Aluminium	anodised	Yellow	Plastic	Grey	Plastic	704.033.4	74
	Nature	Aluminium	anodised	Green	Plastic	Grey	Plastic	704.033.5	74
	Nature	Aluminium	anodised	Blue	Plastic	Grey	Plastic	704.033.6	74
	Nature	Aluminium	anodised	Colour-less	Plastic	Grey	Plastic	704.033.7	74
Maintained	Black	Plastic		Red	Plastic	Grey	Plastic	704.059.2	75
	Black	Plastic		Yellow	Plastic	Grey	Plastic	704.059.4	75
	Black	Plastic		Green	Plastic	Grey	Plastic	704.059.5	75
	Black	Plastic		Colour-less	Plastic	Grey	Plastic	704.059.7	75
	Grey	Plastic		Red	Plastic	Grey	Plastic	704.060.2	75
	Grey	Plastic		Yellow	Plastic	Grey	Plastic	704.060.4	75
	Grey	Plastic		Green	Plastic	Grey	Plastic	704.060.5	75
	Grey	Plastic		Blue	Plastic	Grey	Plastic	704.060.6	75
	Grey	Plastic		Colour-less	Plastic	Grey	Plastic	704.060.7	75
	Nature	Aluminium	anodised	Red	Plastic	Grey	Plastic	704.062.2	75
	Nature	Aluminium	anodised	Yellow	Plastic	Grey	Plastic	704.062.4	75
	Nature	Aluminium	anodised	Green	Plastic	Grey	Plastic	704.062.5	75
	Nature	Aluminium	anodised	Blue	Plastic	Grey	Plastic	704.062.6	75
	Nature	Aluminium	anodised	Colour-less	Plastic	Grey	Plastic	704.062.7	75
	Nature	Aluminium	anodised	Red	Plastic	Grey	Plastic	704.063.2	75
	Nature	Aluminium	anodised	Yellow	Plastic	Grey	Plastic	704.063.4	75
	Nature	Aluminium	anodised	Green	Plastic	Grey	Plastic	704.063.5	75
	Nature	Aluminium	anodised	Blue	Plastic	Grey	Plastic	704.063.6	75
	Nature	Aluminium	anodised	Colour-less	Plastic	Grey	Plastic	704.063.7	75

Wiring diagrams

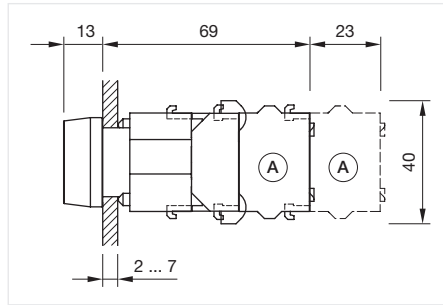


04 Raised design

Illuminated pushbutton square, IP65



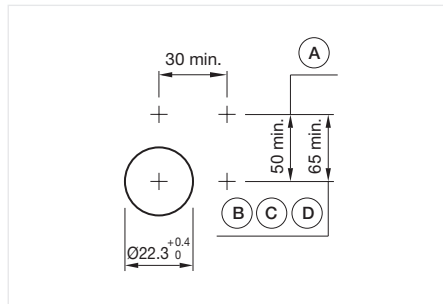
Product can differ from the current configuration.



Dimensions [mm]
A = Screw terminal

General information

- Frontring with protective cover to be mounted with a torque of 0.4 Nm onto actuator
- Max. 3 switching elements can be clipped on



Mounting cut-outs [mm]
A = Screw terminal
B = Push-in terminal (PIT)
C = Plug-in terminal 6.3 mm x 0.8 mm
D = Double plug-in terminal 6.3 mm x 0.8 mm

Equipment consisting of (schematic overview)

	Front bezel	Page 202
	Lens	Page 199
	Lens holder	Page 201
	Actuator	
	Bayonet flange	Page 203
	LED	Page 204
	Lamp block	Page 210
	Switching element	Page 213

Each Part Number listed below includes all the black components shown in the 3D-drawing.

To obtain a complete unit, please select the red components from the pages shown.



Actuator, Front dimension 30 mm x 30 mm





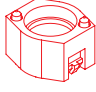
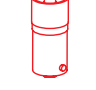
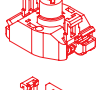
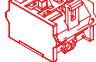
Switching action	Housing colour	Housing material	Part No.	Wiring diagram
Momentary	Black	Plastic	704.731.0	72
	Grey	Plastic	704.731.1	72
Maintained	Black	Plastic	704.732.0	73
	Grey	Plastic	704.732.1	73

Wiring diagrams

Wiring diagram 72	Wiring diagram 73

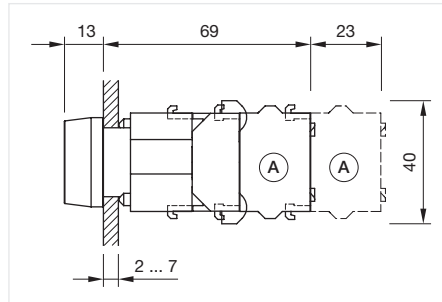
Illuminated pushbutton round, IP65

Equipment consisting of (schematic overview)

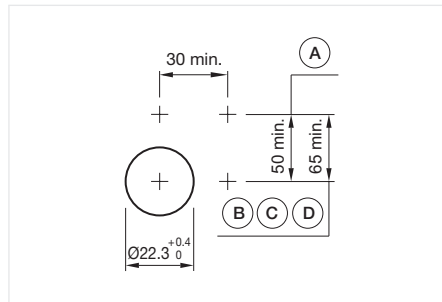
	Front bezel	Page 202
	Lens	Page 199
	Marking Plate	Page 201
	Actuator	
	Bayonet flange	Page 203
	LED	Page 204
	Lamp block	Page 210
	Switching element	Page 213

Each Part Number listed below includes all the black components shown in the 3D-drawing.

To obtain a complete unit, please select the red components from the pages shown.



Dimensions [mm]
A = Screw terminal



Mounting cut-outs [mm]
A = Screw terminal
B = Push-in terminal (PIT)
C = Plug-in terminal 6.3 mm x 0.8 mm
D = Double plug-in terminal 6.3 mm x 0.8 mm



Product can differ from the current configuration.

General information

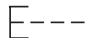
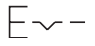
- Frontring with protective cover to be mounted with a torque of 0.4 Nm onto actuator
- Max. 3 switching elements can be clipped on



Actuator, Front dimension Ø 29 mm

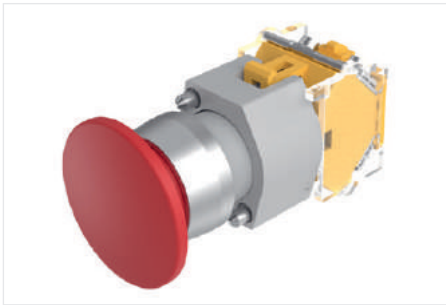
Switching action	Housing colour	Housing material	Part No.	Wiring diagram
Momentary	Grey	Plastic	704.631.1	72
Maintained	Grey	Plastic	704.632.1	73

Wiring diagrams

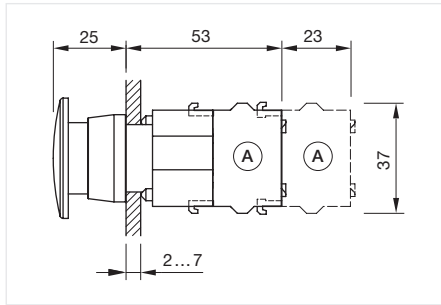
	
Wiring diagram 72	Wiring diagram 73

04 Raised design

Mushroom-head pushbutton, IP65



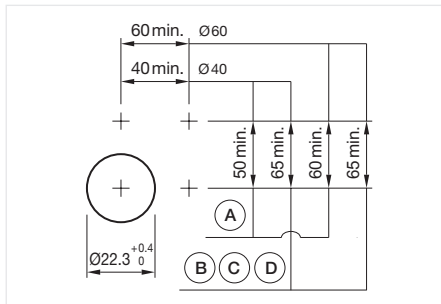
Product can differ from the current configuration.



Dimensions [mm]
A = Screw terminal

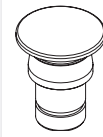
General information

- Max. 3 switching elements can be clipped on
- The colour of anodised aluminium parts can vary due to technical production reasons

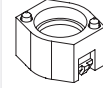


Mounting cut-outs [mm]
A = Screw terminal
B = Push-in terminal (PIT)
C = Plug-in terminal 6.3 mm x 0.8 mm
D = Double plug-in terminal 6.3 mm x 0.8 mm

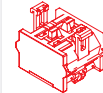
Equipment consisting of (schematic overview)



Actuator



Bayonet flange



Switching element

Page 213

Each Part Number listed below includes all the black components shown in the 3D-drawing.

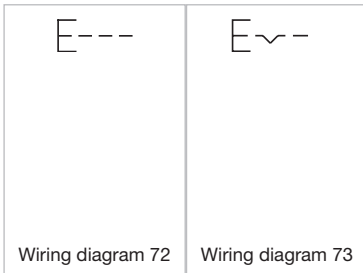
To obtain a complete unit, please select the red components from the pages shown.



Actuator, Front dimension Ø 40 mm

Switching action	Front bezel colour	Front bezel material	Front bezel surface	Lens colour	Lens material	Housing colour	Housing material	Part No.	Wiring diagram
Momentary	Grey	Plastic		Black	Plastic	Grey	Plastic	704.070.0	72
	Grey	Plastic		Red	Plastic	Grey	Plastic	704.070.2	72
	Grey	Plastic		Yellow	Plastic	Grey	Plastic	704.070.4	72
	Grey	Plastic		Green	Plastic	Grey	Plastic	704.070.5	72
	Nature	Aluminium	anodised	Black	Plastic	Grey	Plastic	704.071.0	72
	Nature	Aluminium	anodised	Red	Plastic	Grey	Plastic	704.071.2	72
	Nature	Aluminium	anodised	Yellow	Plastic	Grey	Plastic	704.071.4	72
	Nature	Aluminium	anodised	Green	Plastic	Grey	Plastic	704.071.5	72
	Nature	Aluminium	anodised	Red	Aluminium	Grey	Plastic	704.079.2	72
Maintained	Grey	Plastic		Black	Plastic	Grey	Plastic	704.072.0	73
	Grey	Plastic		Red	Plastic	Grey	Plastic	704.072.2	73
	Nature	Aluminium	anodised	Black	Plastic	Grey	Plastic	704.073.0	73
	Nature	Aluminium	anodised	Red	Plastic	Grey	Plastic	704.073.2	73
	Nature	Aluminium	anodised	Yellow	Plastic	Grey	Plastic	704.073.4	73
	Nature	Aluminium	anodised	Green	Plastic	Grey	Plastic	704.073.5	73
	Nature	Aluminium	anodised	Red	Aluminium	Grey	Plastic	704.075.21	73

Wiring diagrams



- 01
- 02
- 03
- 04**
- 09
- 14
- 17
- 18
- 19
- 22
- 31
- 41
- 45
- 51
- 56
- 57
- 61
- 70
- 71
- 82
- 84
- 92
- 96



Modern. Tactile and long-lasting. *Series 04 illuminated selector switches.*

Intuitive and reliable operation for enhanced safety in public transportation.

- Bright, single or bi-colour LED illumination
- Modern, ergonomic design
- Rounded edges (in accordance with DIN 5566-1)
- Excellent tactile feedback
- Long service life and robust construction
- Wide range of possible combinations and options

www.eao.com



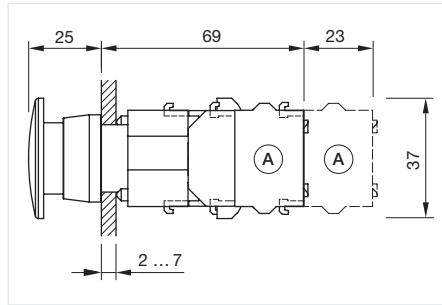
Your Expert Partner for Human Machine Interfaces

04 Raised design

Mushroom-head pushbutton illuminated, IP65



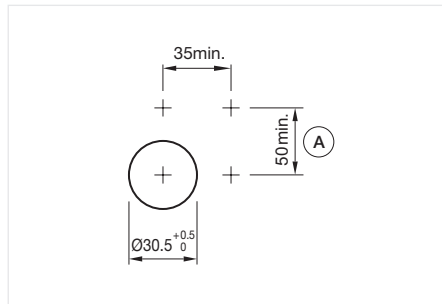
Product can differ from the current configuration.



Dimensions [mm]
A = Screw terminal

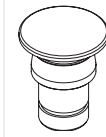
General information

- Max. 3 switching elements can be clipped on
- The lamp block will be delivered with screw terminal

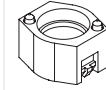


Mounting cut-outs [mm]
A = Screw terminal

Equipment consisting of (schematic overview)



Actuator

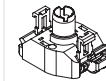


Bayonet flange

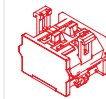


LED

Page 204



Lamp block



Switching element

Page 213

Each Part Number listed below includes all the black components shown in the 3D-drawing.

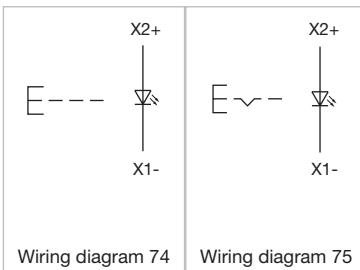
To obtain a complete unit, please select the red components from the pages shown.



Actuator, Front dimension Ø 40 mm

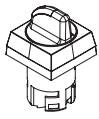
Switching action	Front bezel colour	Front bezel material	Lens colour	Lens material	Housing colour	Housing material	Part No.	Wiring diagram
Momentary	Grey	Plastic	Red	Plastic	Grey	Plastic	704.084.2	74
	Grey	Plastic	Yellow	Plastic	Grey	Plastic	704.084.4	74
	Grey	Plastic	Green	Plastic	Grey	Plastic	704.084.5	74
	Grey	Plastic	Blue	Plastic	Grey	Plastic	704.084.6	74
	Grey	Plastic	Colourless	Plastic	Grey	Plastic	704.084.7	74
Maintained	Grey	Plastic	Red	Plastic	Grey	Plastic	704.086.2	75
	Grey	Plastic	Yellow	Plastic	Grey	Plastic	704.086.4	75
	Grey	Plastic	Green	Plastic	Grey	Plastic	704.086.5	75

Wiring diagrams



Selector switch illuminated, 2 positions, short lever, square, IP65

Equipment consisting of (schematic overview)



Actuator



Bayonet flange



LED

Page 204



Lamp block

Page 210

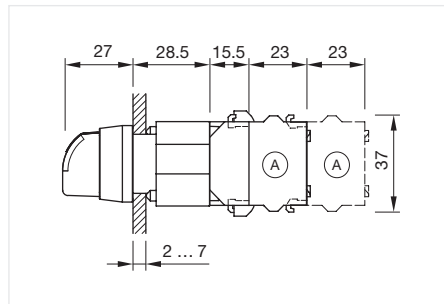


Switching element

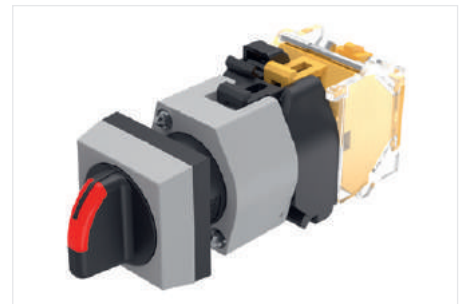
Page 213

Each Part Number listed below includes all the black components shown in the 3D-drawing.

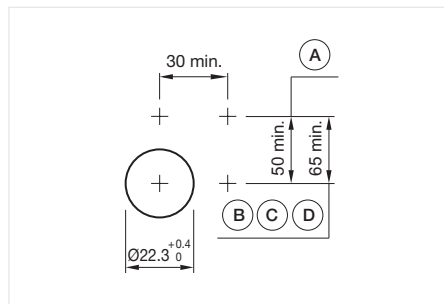
To obtain a complete unit, please select the red components from the pages shown.



Dimensions [mm]
A = Screw terminal



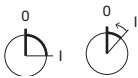
Product can differ from the current configuration.



Mounting cut-outs [mm]
A = Screw terminal
B = Push-in terminal (PIT)
C = Plug-in terminal 6.3 mm x 0.8 mm
D = Double plug-in terminal 6.3 mm x 0.8 mm

General information

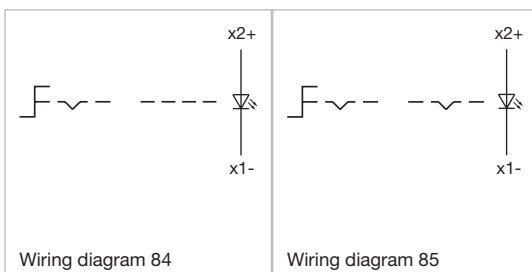
- Max. 3 switching elements can be clipped on



Actuator, Front dimension 30 mm x 30 mm

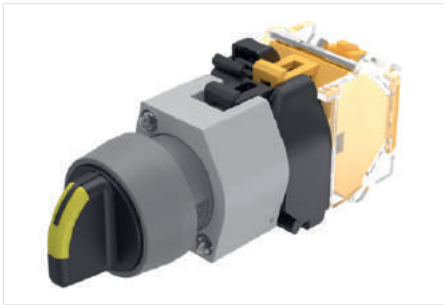
Switching action	Front bezel colour	Front bezel material	Switching angle	Part No.	Wiring diagram
Rest - Maintained	Grey	Plastic	90° right	704.510.0i	85
Rest - Momentary	Grey	Plastic	42° right	704.512.0i	84

Wiring diagrams

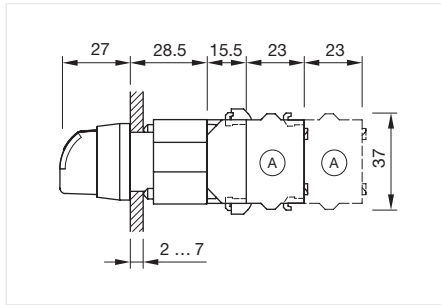


04 Raised design

Selector switch illuminated, 2 positions, short lever, round, IP65



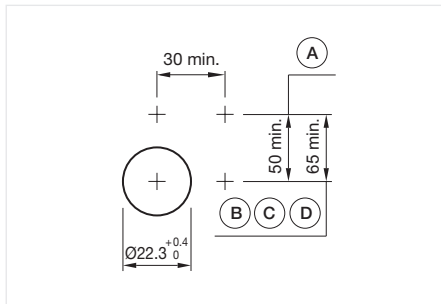
Product can differ from the current configuration.



Dimensions [mm]
A = Screw terminal

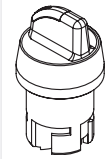
General information

- Max. 3 switching elements can be clipped on
- The colour of anodised aluminium parts can vary due to technical production reasons

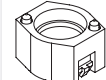


Mounting cut-outs [mm]
A = Screw terminal
B = Push-in terminal (PIT)
C = Plug-in terminal 6.3 mm x 0.8 mm
D = Double plug-in terminal 6.3 mm x 0.8 mm

Equipment consisting of (schematic overview)



Actuator

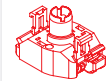


Bayonet flange



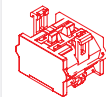
LED

Page 204



Lamp block

Page 210

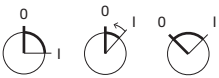


Switching element

Page 213

Each Part Number listed below includes all the black components shown in the 3D-drawing.

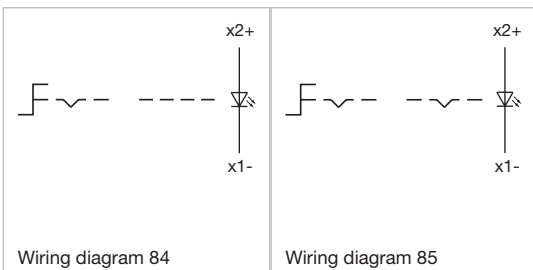
To obtain a complete unit, please select the red components from the pages shown.



Actuator, Front dimension Ø 29 mm

Switching action	Front bezel colour	Front bezel material	Switching angle	Front bezel surface	Part No.	Wiring diagram
Rest - Maintained	Grey	Plastic	90° right		704.410.0i	85
	Grey	Plastic	90° right (-45° ... +45°)		704.410.1i	85
	Nature	Aluminium	90° right	anodised	704.411.0i	85
Rest - Momentary	Grey	Plastic	42° right		704.412.0i	84
	Nature	Aluminium	42° right	anodised	704.413.0i	84

Wiring diagrams

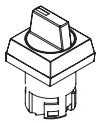


Wiring diagram 84

Wiring diagram 85

Selector switch 2 positions, short lever, square, IP65

Equipment consisting of (schematic overview)



Actuator



Bayonet flange

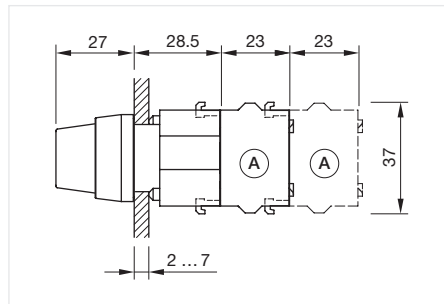


Switching element

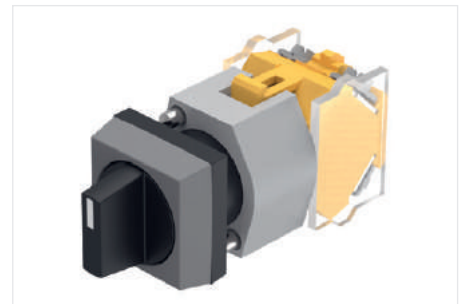
Page 213

Each Part Number listed below includes all the black components shown in the 3D-drawing.

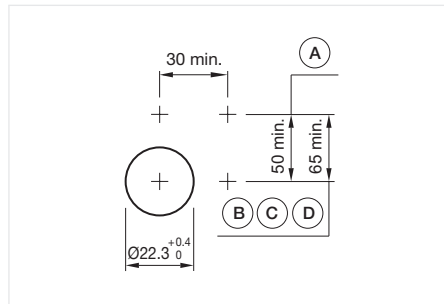
To obtain a complete unit, please select the red components from the pages shown.



Dimensions [mm]
A = Screw terminal



Product can differ from the current configuration.



Mounting cut-outs [mm]
A = Screw terminal
B = Push-in terminal (PIT)
C = Plug-in terminal 6.3 mm x 0.8 mm
D = Double plug-in terminal 6.3 mm x 0.8 mm

General information

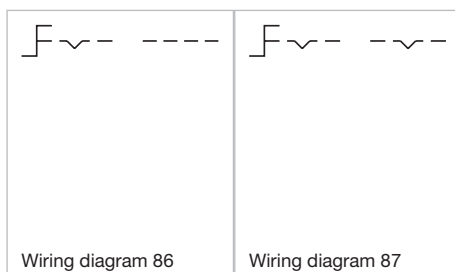
- Max. 3 switching elements can be clipped on



Actuator, Front dimension 30 mm x 30 mm

Switching action	Front bezel colour	Front bezel material	Switching angle	Part No.	Wiring diagram
Rest - Maintained	Grey	Plastic	90° right	704.510.0	87
Rest - Momentary	Grey	Plastic	42° right	704.512.0	86

Wiring diagrams

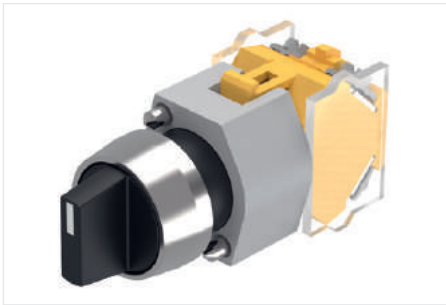


Wiring diagram 86

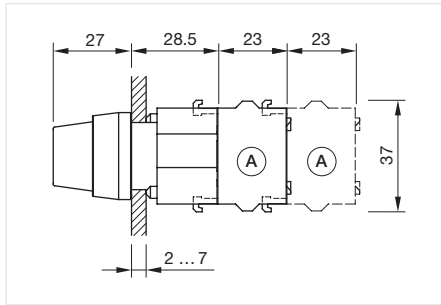
Wiring diagram 87

04 Raised design

Selector switch 2 positions, short lever, round, IP65



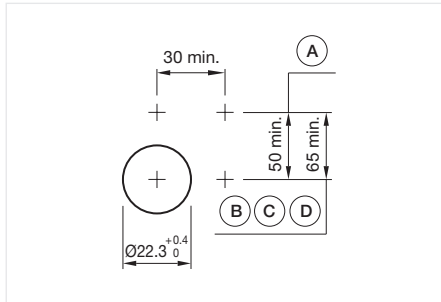
Product can differ from the current configuration.



Dimensions [mm]
A = Screw terminal

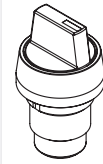
General information

- Max. 3 switching elements can be clipped on
- The colour of anodised aluminium parts can vary due to technical production reasons

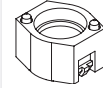


Mounting cut-outs [mm]
A = Screw terminal
B = Push-in terminal (PIT)
C = Plug-in terminal 6.3 mm x 0.8 mm
D = Double plug-in terminal 6.3 mm x 0.8 mm

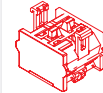
Equipment consisting of (schematic overview)



Actuator



Bayonet flange

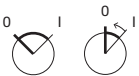


Switching element

Page 213

Each Part Number listed below includes all the black components shown in the 3D-drawing.

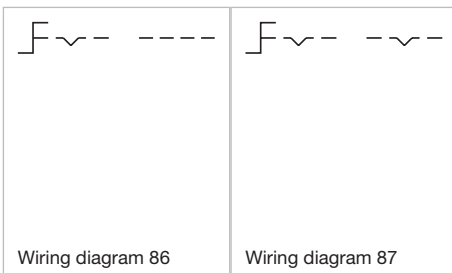
To obtain a complete unit, please select the red components from the pages shown.



Actuator, Front dimension Ø 29 mm

Switching action	Front bezel colour	Front bezel material	Switching angle	Front bezel surface	Part No.	Wiring diagram
Rest - Maintained	Grey	Plastic	90° right		704.410.0	87
	Nature	Aluminium	90° right	anodised	704.411.0	87
Rest - Momentary	Grey	Plastic	42° right		704.412.0	86
	Nature	Aluminium	42° right	anodised	704.413.0	86

Wiring diagrams

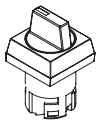


Wiring diagram 86

Wiring diagram 87

Selector switch 2 positions, short lever, square, IP65

Equipment consisting of (schematic overview)



Actuator



Bayonet flange

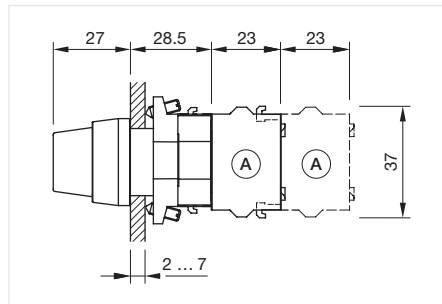


Switching element

Page 213

Each Part Number listed below includes all the black components shown in the 3D-drawing.

To obtain a complete unit, please select the red components from the pages shown.



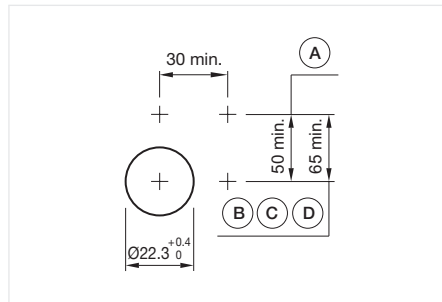
Dimensions [mm]
A = Screw terminal



Product can differ from the current configuration.

General information

- Max. 3 switching elements can be clipped on



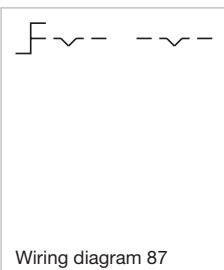
Mounting cut-outs [mm]
A = Screw terminal
B = Push-in terminal (PIT)
C = Plug-in terminal 6.3 mm x 0.8 mm
D = Double plug-in terminal 6.3 mm x 0.8 mm



Actuator, Front dimension 30 mm x 30 mm

Switching action	Front bezel colour	Front bezel material	Switching angle	Part No.	Wiring diagram
Rest - Maintained	Grey	Plastic	90° right	704.510.0.12	87

Wiring diagrams



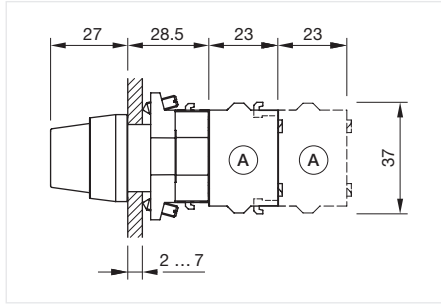
Wiring diagram 87

04 Raised design

Selector switch 2 positions, short lever, round, IP65



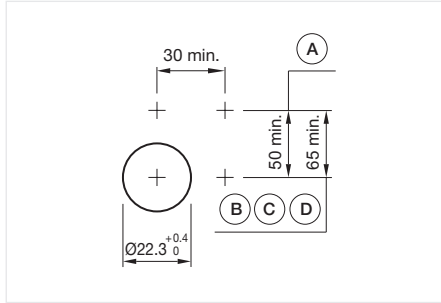
Product can differ from the current configuration.



Dimensions [mm]
A = Screw terminal

General information

- Max. 3 switching elements can be clipped on
- The colour of anodised aluminium parts can vary due to technical production reasons

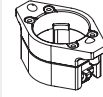


Mounting cut-outs [mm]
A = Screw terminal
B = Push-in terminal (PIT)
C = Plug-in terminal 6.3 mm x 0.8 mm
D = Double plug-in terminal 6.3 mm x 0.8 mm

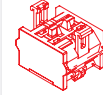
Equipment consisting of (schematic overview)



Actuator



Bayonet flange



Switching element

Page 213

Each Part Number listed below includes all the black components shown in the 3D-drawing.

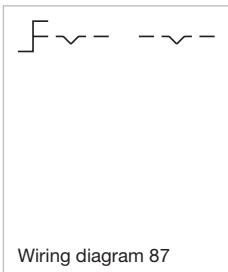
To obtain a complete unit, please select the red components from the pages shown.



Actuator, Front dimension \varnothing 29 mm

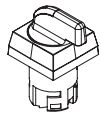
Switching action	Front bezel colour	Front bezel material	Switching angle	Front bezel surface	Part No.	Wiring diagram
Rest - Maintained	Grey	Plastic	90° right		704.410.0.12	87
	Nature	Aluminium	90° right	anodised	704.411.0.12	87
	Nature	Aluminium	90° right	anodised	704.411.0B.12	87

Wiring diagrams

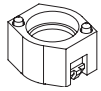


Selector switch illuminated, 2 positions, long lever, square, IP65

Equipment consisting of (schematic overview)



Actuator

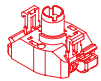


Bayonet flange



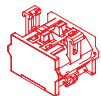
LED

Page 204



Lamp block

Page 210

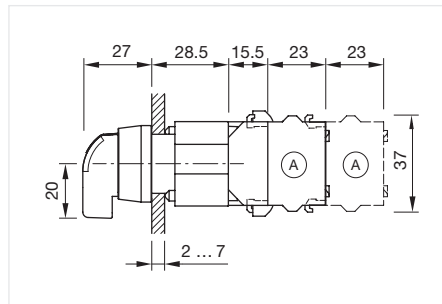


Switching element

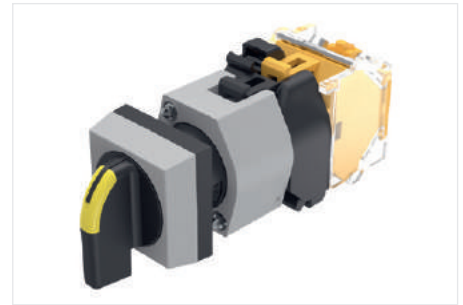
Page 213

Each Part Number listed below includes all the black components shown in the 3D-drawing.

To obtain a complete unit, please select the red components from the pages shown.



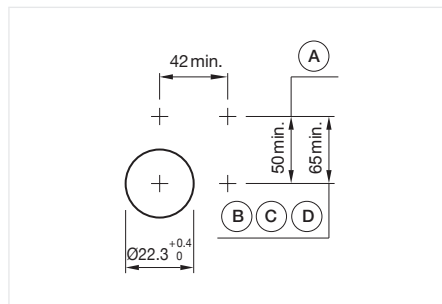
Dimensions [mm]
A = Screw terminal



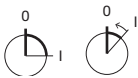
Product can differ from the current configuration.

General information

- Max. 3 switching elements can be clipped on



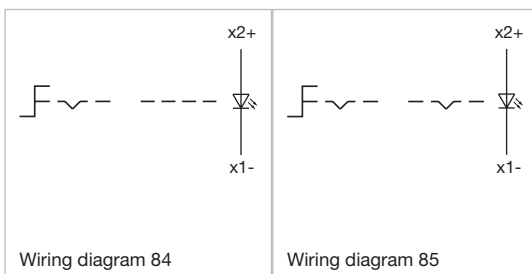
Mounting cut-outs [mm]
A = Screw terminal
B = Push-in terminal (PIT)
C = Plug-in terminal 6.3 mm x 0.8 mm
D = Double plug-in terminal 6.3 mm x 0.8 mm



Actuator, Front dimension 30 mm x 30 mm

Switching action	Front bezel colour	Front bezel material	Switching angle	Part No.	Wiring diagram
Rest - Maintained	Grey	Plastic	90° right	704.300.0i	85
Rest - Momentary	Grey	Plastic	42° right	704.302.0i	84

Wiring diagrams

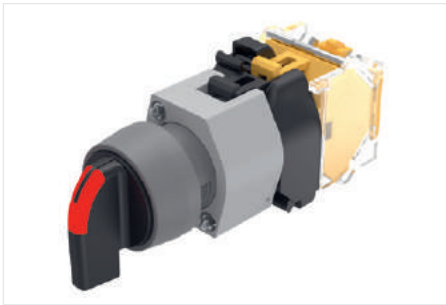


Wiring diagram 84

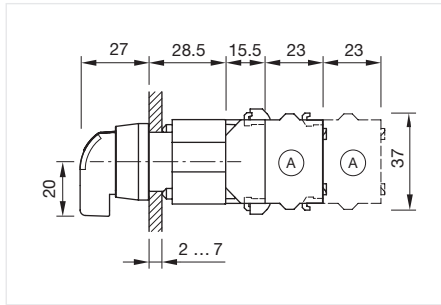
Wiring diagram 85

04 Raised design

Selector switch illuminated, 2 positions, long lever, round, IP65



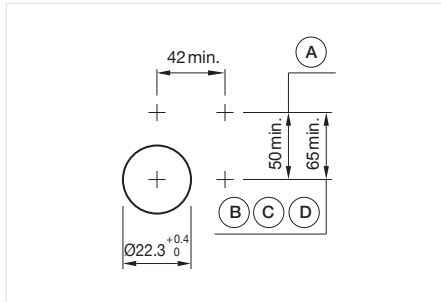
Product can differ from the current configuration.



Dimensions [mm]
A = Screw terminal

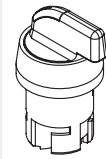
General information

- Max. 3 switching elements can be clipped on
- The colour of anodised aluminium parts can vary due to technical production reasons

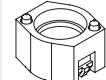


Mounting cut-outs [mm]
A = Screw terminal
B = Push-in terminal (PIT)
C = Plug-in terminal 6.3 mm x 0.8 mm
D = Double plug-in terminal 6.3 mm x 0.8 mm

Equipment consisting of (schematic overview)



Actuator

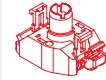


Bayonet flange



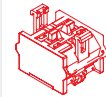
LED

Page 204



Lamp block

Page 210

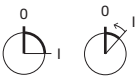


Switching element

Page 213

Each Part Number listed below includes all the black components shown in the 3D-drawing.

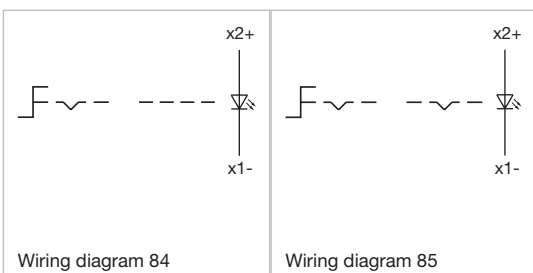
To obtain a complete unit, please select the red components from the pages shown.



Actuator, Front dimension Ø 29 mm

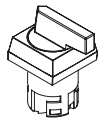
Switching action	Front bezel colour	Front bezel material	Switching angle	Front bezel surface	Part No.	Wiring diagram
Rest - Maintained	Grey	Plastic	90° right		704.100.0i	85
	Nature	Aluminium	90° right	anodised	704.101.0i	85
Rest - Momentary	Grey	Plastic	42° right		704.102.0i	84
	Nature	Aluminium	42° right	anodised	704.103.0i	84

Wiring diagrams



Selector switch 2 positions, long lever, square, IP65

Equipment consisting of (schematic overview)



Actuator



Bayonet flange

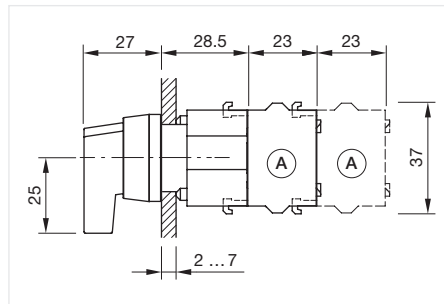


Switching element

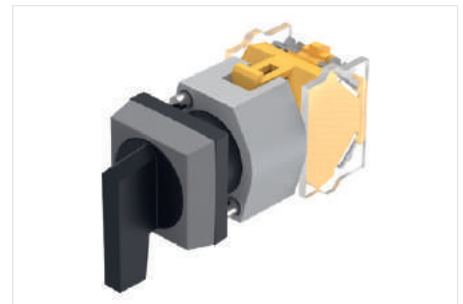
Page 213

Each Part Number listed below includes all the black components shown in the 3D-drawing.

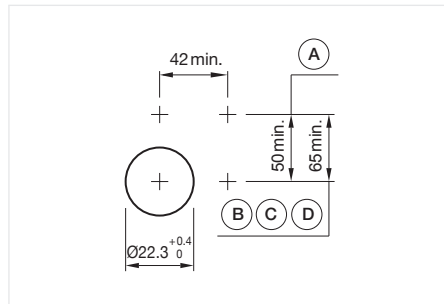
To obtain a complete unit, please select the red components from the pages shown.



Dimensions [mm]
A = Screw terminal



Product can differ from the current configuration.



Mounting cut-outs [mm]
A = Screw terminal
B = Push-in terminal (PIT)
C = Plug-in terminal 6.3 mm x 0.8 mm
D = Double plug-in terminal 6.3 mm x 0.8 mm

General information

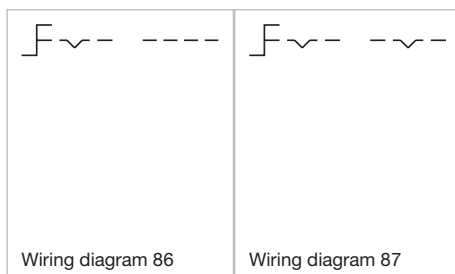
- Max. 3 switching elements can be clipped on



Actuator, Front dimension 30 mm x 30 mm

Switching action	Front bezel colour	Front bezel material	Switching angle	Part No.	Wiring diagram
Rest - Maintained	Grey	Plastic	90° right	704.300.0	87
Rest - Momentary	Grey	Plastic	42° right	704.302.0	86

Wiring diagrams

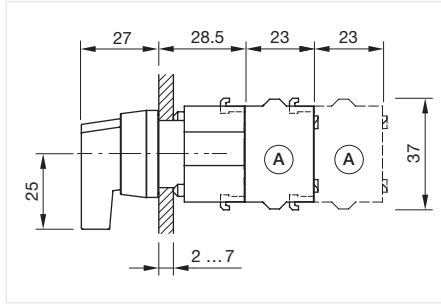


04 Raised design

Selector switch 2 positions, long lever, round, IP65



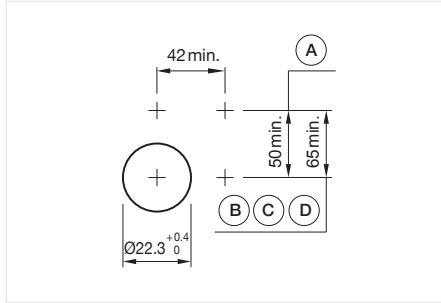
Product can differ from the current configuration.



Dimensions [mm]
A = Screw terminal

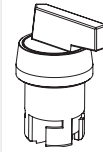
General information

- Max. 3 switching elements can be clipped on
- The colour of anodised aluminium parts can vary due to technical production reasons

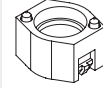


Mounting cut-outs [mm]
A = Screw terminal
B = Push-in terminal (PIT)
C = Plug-in terminal 6.3 mm x 0.8 mm
D = Double plug-in terminal 6.3 mm x 0.8 mm

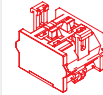
Equipment consisting of (schematic overview)



Actuator



Bayonet flange

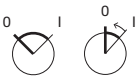


Switching element

Page 213

Each Part Number listed below includes all the black components shown in the 3D-drawing.

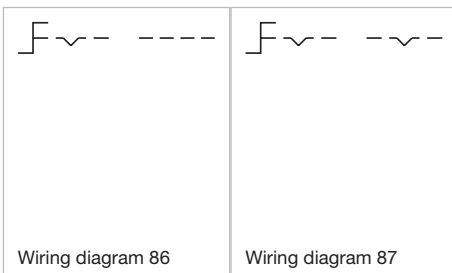
To obtain a complete unit, please select the red components from the pages shown.



Actuator, Front dimension Ø 29 mm

Switching action	Front bezel colour	Front bezel material	Switching angle	Front bezel surface	Part No.	Wiring diagram
Rest - Maintained	Grey	Plastic	90° right		704.100.0	87
	Nature	Aluminium	90° right	anodised	704.101.0	87
Rest - Momentary	Grey	Plastic	42° right		704.102.0	86
	Nature	Aluminium	42° right	anodised	704.103.0	86

Wiring diagrams

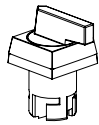


Wiring diagram 86

Wiring diagram 87

Selector switch 2 positions, long lever, square, IP65

Equipment consisting of (schematic overview)



Actuator



Bayonet flange

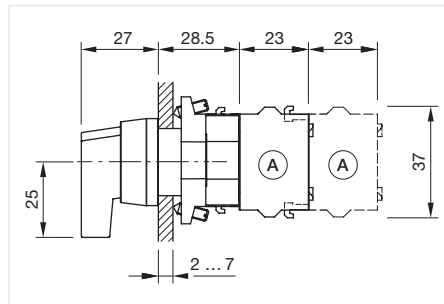


Switching element

Page 213

Each Part Number listed below includes all the black components shown in the 3D-drawing.

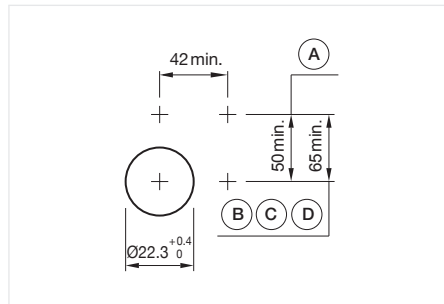
To obtain a complete unit, please select the red components from the pages shown.



Dimensions [mm]
A = Screw terminal



Product can differ from the current configuration.



Mounting cut-outs [mm]
A = Screw terminal
B = Push-in terminal (PIT)
C = Plug-in terminal 6.3 mm x 0.8 mm
D = Double plug-in terminal 6.3 mm x 0.8 mm

General information

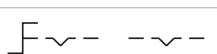
- Max. 3 switching elements can be clipped on



Actuator, Front dimension 30 mm x 30 mm

Switching action	Front bezel colour	Front bezel material	Switching angle	Part No.	Wiring diagram
Rest - Maintained	Grey	Plastic	90° right	704.300.0.12	87

Wiring diagrams



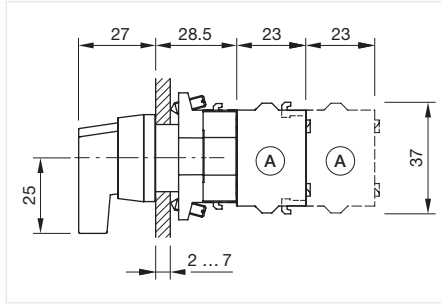
Wiring diagram 87

04 Raised design

Selector switch 2 positions, long lever, round, IP65



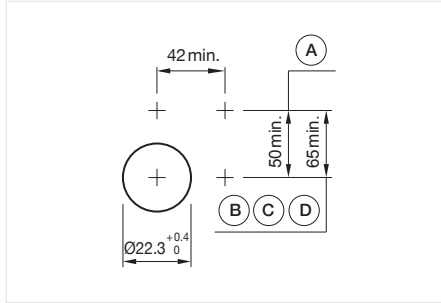
Product can differ from the current configuration.



Dimensions [mm]
A = Screw terminal

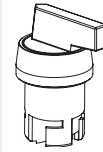
General information

- Max. 3 switching elements can be clipped on
- The colour of anodised aluminium parts can vary due to technical production reasons

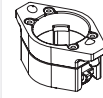


Mounting cut-outs [mm]
A = Screw terminal
B = Push-in terminal (PIT)
C = Plug-in terminal 6.3 mm x 0.8 mm
D = Double plug-in terminal 6.3 mm x 0.8 mm

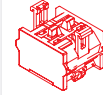
Equipment consisting of (schematic overview)



Actuator



Bayonet flange



Switching element

Page 213

Each Part Number listed below includes all the black components shown in the 3D-drawing.

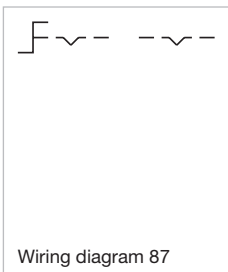
To obtain a complete unit, please select the red components from the pages shown.



Actuator, Front dimension Ø 29 mm

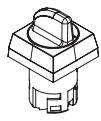
Switching action	Front bezel colour	Front bezel material	Switching angle	Front bezel surface	Part No.	Wiring diagram
Rest - Maintained	Grey	Plastic	90° right		704.100.0.12	87
	Nature	Aluminium	90° right	anodised	704.101.0.12	87

Wiring diagrams

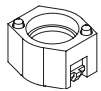


Selector switch illuminated, 3 positions, short lever, square, IP65

Equipment consisting of (schematic overview)



Actuator

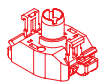


Bayonet flange



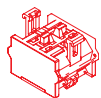
LED

Page 204



Lamp block

Page 210

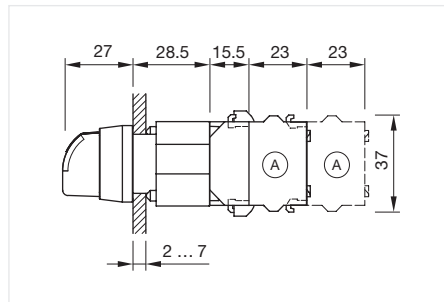


Switching element

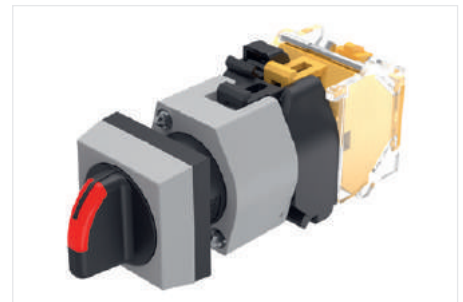
Page 213

Each Part Number listed below includes all the black components shown in the 3D-drawing.

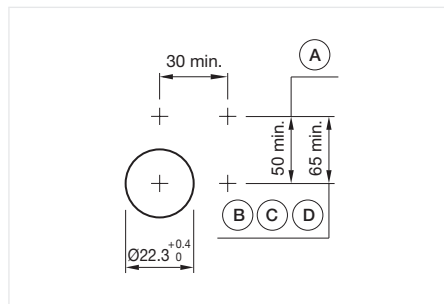
To obtain a complete unit, please select the red components from the pages shown.



Dimensions [mm]
A = Screw terminal



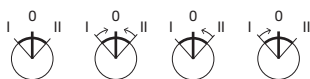
Product can differ from the current configuration.



Mounting cut-outs [mm]
A = Screw terminal
B = Push-in terminal (PIT)
C = Plug-in terminal 6.3 mm x 0.8 mm
D = Double plug-in terminal 6.3 mm x 0.8 mm

General information

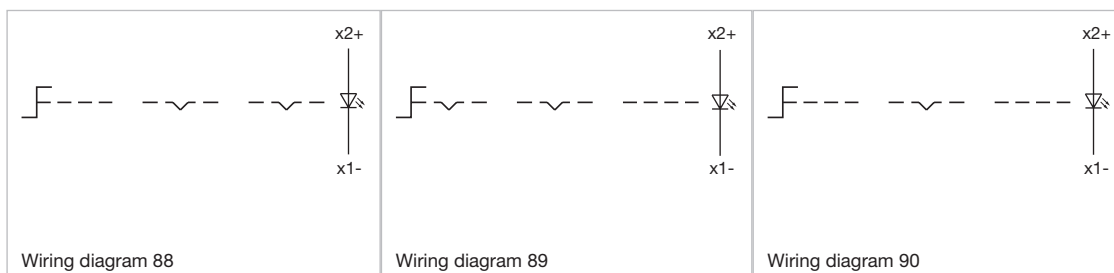
- Max. 3 switching elements can be clipped on



Actuator, Front dimension 30 mm x 30 mm

Switching action	Front bezel colour	Front bezel material	Switching angle	Part No.	Wiring diagram
Maintained - Rest - Maintained	Grey	Plastic	42° left / 42° right	704.502.0i	91
Momentary - Rest - Momentary	Grey	Plastic	42° left / 42° right	704.504.0i	90
Maintained - Rest - Momentary	Grey	Plastic	42° left / 42° right	704.506.0i	89
Momentary - Rest - Maintained	Grey	Plastic	42° left / 42° right	704.508.0i	88

Wiring diagrams



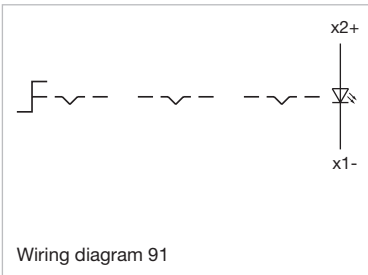
Wiring diagram 88

Wiring diagram 89

Wiring diagram 90

04 Raised design

Wiring diagrams



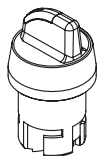
EAO Downloads.
www.eao.com/downloads
EAO creates possibilities. Since 1947.



[On our website you can download technical data, assembly instructions, catalogs, brochures and much more.](http://www.eao.com/downloads)

Selector switch illuminated, 3 positions, short lever, round, IP65

Equipment consisting of (schematic overview)



Actuator



Bayonet flange



LED

Page 204



Lamp block

Page 210

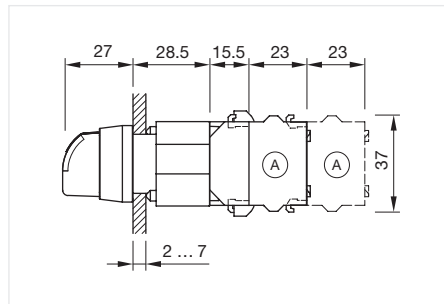


Switching element

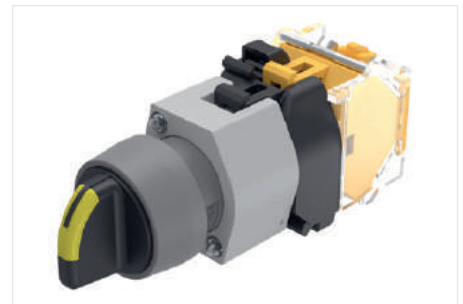
Page 213

Each Part Number listed below includes all the black components shown in the 3D-drawing.

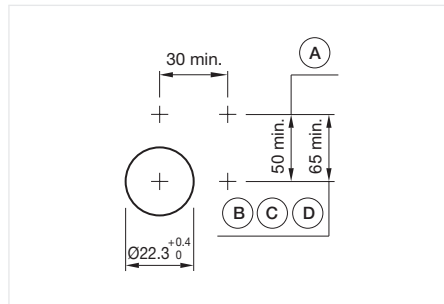
To obtain a complete unit, please select the red components from the pages shown.



Dimensions [mm]
A = Screw terminal



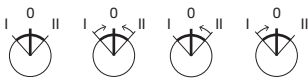
Product can differ from the current configuration.



Mounting cut-outs [mm]
A = Screw terminal
B = Push-in terminal (PIT)
C = Plug-in terminal 6.3 mm x 0.8 mm
D = Double plug-in terminal 6.3 mm x 0.8 mm

General information

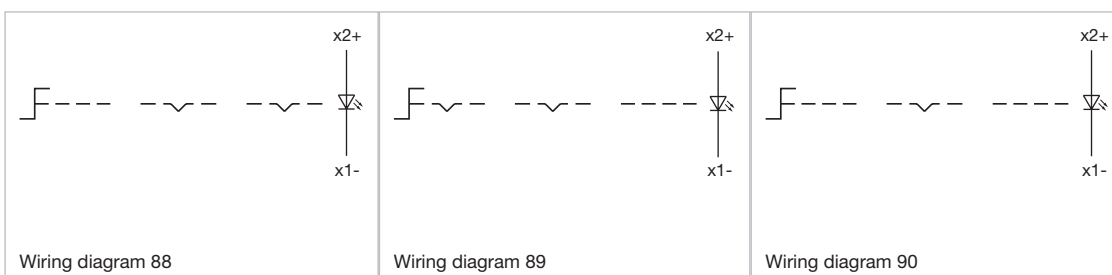
- Max. 3 switching elements can be clipped on
- The colour of anodised aluminium parts can vary due to technical production reasons



Actuator, Front dimension Ø 29 mm

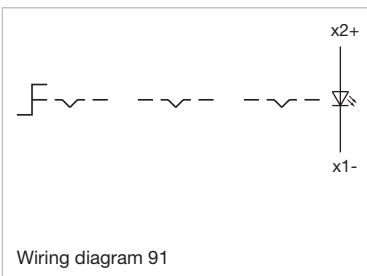
Switching action	Front bezel colour	Front bezel material	Switching angle	Front bezel surface	Part No.	Wiring diagram
Maintained - Rest - Maintained	Grey	Plastic	42° left / 42° right		704.402.0i	91
	Nature	Aluminium	42° left / 42° right	anodised	704.403.0i	91
Momentary - Rest - Momentary	Grey	Plastic	42° left / 42° right		704.404.0i	90
	Nature	Aluminium	42° left / 42° right	anodised	704.405.0i	90
Maintained - Rest - Momentary	Grey	Plastic	42° left / 42° right		704.406.0i	89
	Nature	Aluminium	42° left / 42° right	anodised	704.407.0i	89
Momentary - Rest - Maintained	Grey	Plastic	42° left / 42° right		704.408.0i	88
	Nature	Aluminium	42° left / 42° right	anodised	704.409.0i	88

Wiring diagrams



04 Raised design

Wiring diagrams



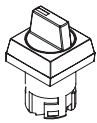
Modern. Tactile and long-lasting.
Series 04 illuminated selector switches.

Intuitive and reliable operation for enhanced safety in public transportation.

- Bright, single or bi-colour LED illumination
- Modern, ergonomic design
- Rounded edges (in accordance with DIN 5566-1)
- Excellent tactile feedback
- Long service life and robust construction
- Wide range of possible combinations and options

Selector switch 3 positions, short lever, square, IP65

Equipment consisting of (schematic overview)



Actuator



Bayonet flange

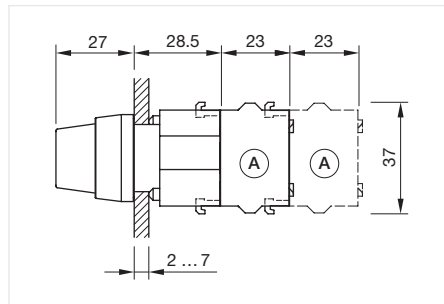


Switching element

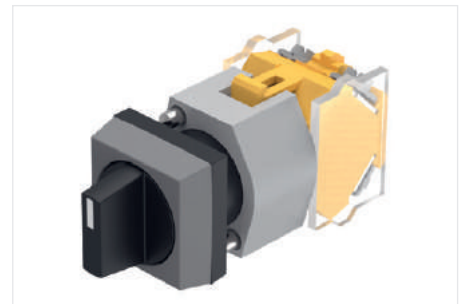
Page 213

Each Part Number listed below includes all the black components shown in the 3D-drawing.

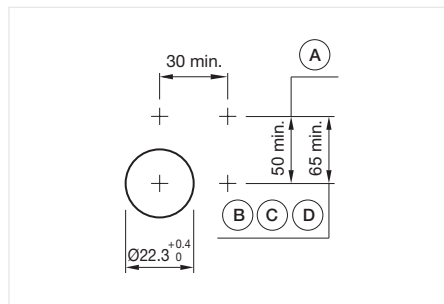
To obtain a complete unit, please select the red components from the pages shown.



Dimensions [mm]
A = Screw terminal



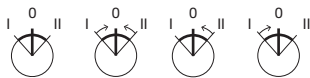
Product can differ from the current configuration.



Mounting cut-outs [mm]
A = Screw terminal
B = Push-in terminal (PIT)
C = Plug-in terminal 6.3 mm x 0.8 mm
D = Double plug-in terminal 6.3 mm x 0.8 mm

General information

- Max. 3 switching elements can be clipped on



Actuator, Front dimension 30 mm x 30 mm

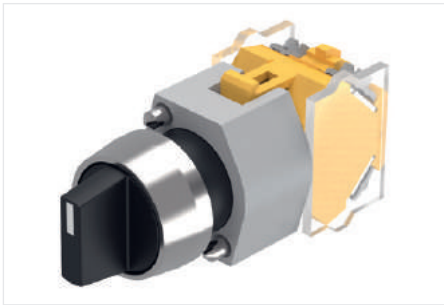
Switching action	Front bezel colour	Front bezel material	Switching angle	Part No.	Wiring diagram
Maintained - Rest - Maintained	Grey	Plastic	42° left / 42° right	704.502.0	95
Momentary - Rest - Momentary	Grey	Plastic	42° left / 42° right	704.504.0	94
Maintained - Rest - Momentary	Grey	Plastic	42° left / 42° right	704.506.0	93
Momentary - Rest - Maintained	Grey	Plastic	42° left / 42° right	704.508.0	92

Wiring diagrams

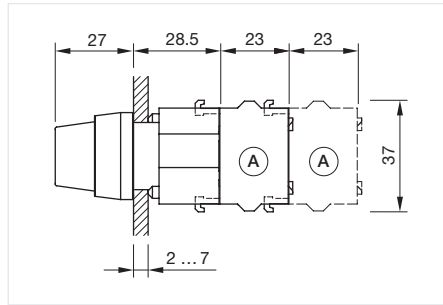
 Wiring diagram 92	 Wiring diagram 93	 Wiring diagram 94	 Wiring diagram 95
-----------------------	-----------------------	-----------------------	-----------------------

04 Raised design

Selector switch 3 positions, short lever, round, IP65



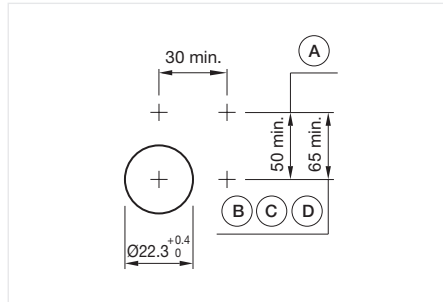
Product can differ from the current configuration.



Dimensions [mm]
A = Screw terminal

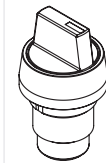
General information

- Max. 3 switching elements can be clipped on
- The colour of anodised aluminium parts can vary due to technical production reasons

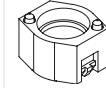


Mounting cut-outs [mm]
A = Screw terminal
B = Push-in terminal (PIT)
C = Plug-in terminal 6.3 mm x 0.8 mm
D = Double plug-in terminal 6.3 mm x 0.8 mm

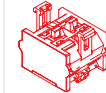
Equipment consisting of (schematic overview)



Actuator



Bayonet flange

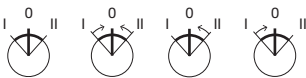


Switching element

Page 213

Each Part Number listed below includes all the black components shown in the 3D-drawing.

To obtain a complete unit, please select the red components from the pages shown.



Actuator, Front dimension Ø 29 mm

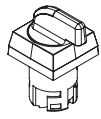
Switching action	Front bezel colour	Front bezel material	Switching angle	Front bezel surface	Part No.	Wiring diagram
Maintained - Rest - Maintained	Grey	Plastic	42° left / 42° right		704.402.0	95
	Nature	Aluminium	42° left / 42° right	anodised	704.403.0	95
Momentary - Rest - Momentary	Grey	Plastic	42° left / 42° right		704.404.0	94
	Nature	Aluminium	42° left / 42° right	anodised	704.405.0	94
Maintained - Rest - Momentary	Grey	Plastic	42° left / 42° right		704.406.0	93
	Nature	Aluminium	42° left / 42° right	anodised	704.407.0	93
Momentary - Rest - Maintained	Grey	Plastic	42° left / 42° right		704.408.0	92
	Nature	Aluminium	42° left / 42° right	anodised	704.409.0	92

Wiring diagrams

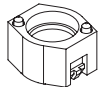
<p>Wiring diagram 92</p>	<p>Wiring diagram 93</p>	<p>Wiring diagram 94</p>	<p>Wiring diagram 95</p>
--------------------------	--------------------------	--------------------------	--------------------------

Selector switch illuminated, 3 positions, long lever, square, IP65

Equipment consisting of (schematic overview)



Actuator

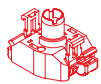


Bayonet flange



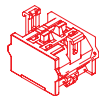
LED

Page 204



Lamp block

Page 210

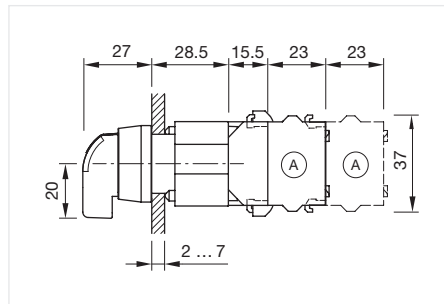


Switching element

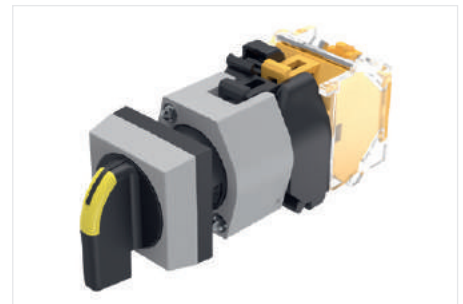
Page 213

Each Part Number listed below includes all the black components shown in the 3D-drawing.

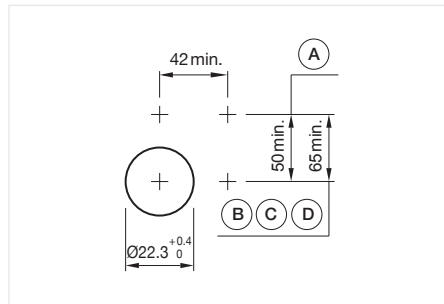
To obtain a complete unit, please select the red components from the pages shown.



Dimensions [mm]
A = Screw terminal



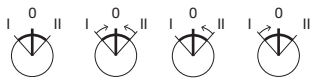
Product can differ from the current configuration.



Mounting cut-outs [mm]
A = Screw terminal
B = Push-in terminal (PIT)
C = Plug-in terminal 6.3 mm x 0.8 mm
D = Double plug-in terminal 6.3 mm x 0.8 mm

General information

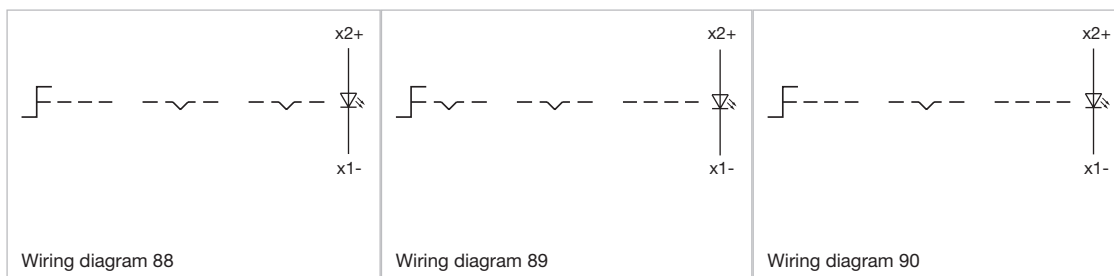
- Max. 3 switching elements can be clipped on



Actuator, Front dimension 30 mm x 30 mm

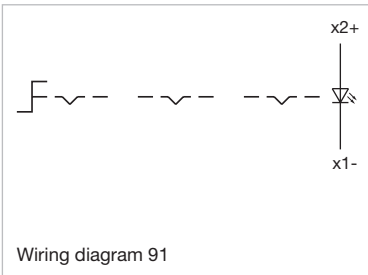
Switching action	Front bezel colour	Front bezel material	Switching angle	Part No.	Wiring diagram
Maintained - Rest - Maintained	Grey	Plastic	42° left / 42° right	704.292.0i	91
Momentary - Rest - Momentary	Grey	Plastic	42° left / 42° right	704.294.0i	90
Maintained - Rest - Momentary	Grey	Plastic	42° left / 42° right	704.296.0i	89
Momentary - Rest - Maintained	Grey	Plastic	42° left / 42° right	704.298.0i	88

Wiring diagrams



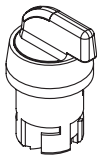
04 Raised design

Wiring diagrams



Selector switch illuminated, 3 positions, long lever, round, IP65

Equipment consisting of (schematic overview)



Actuator



Bayonet flange



LED

Page 204



Lamp block

Page 210

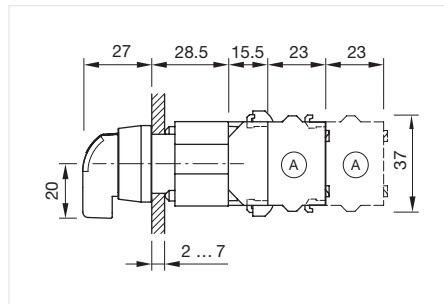


Switching element

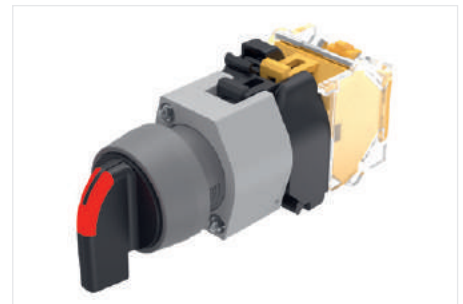
Page 213

Each Part Number listed below includes all the black components shown in the 3D-drawing.

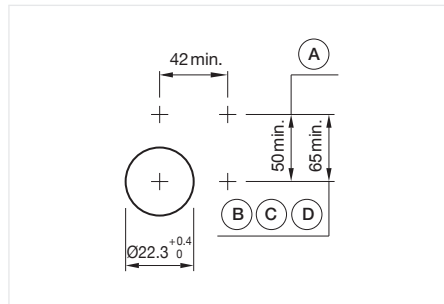
To obtain a complete unit, please select the red components from the pages shown.



Dimensions [mm]
A = Screw terminal



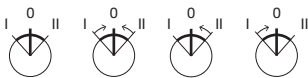
Product can differ from the current configuration.



Mounting cut-outs [mm]
A = Screw terminal
B = Push-in terminal (PIT)
C = Plug-in terminal 6.3 mm x 0.8 mm
D = Double plug-in terminal 6.3 mm x 0.8 mm

General information

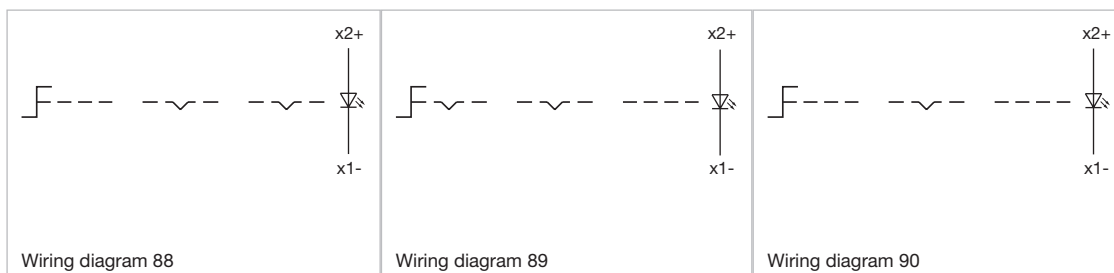
- Max. 3 switching elements can be clipped on
- The colour of anodised aluminium parts can vary due to technical production reasons



Actuator, Front dimension Ø 29 mm

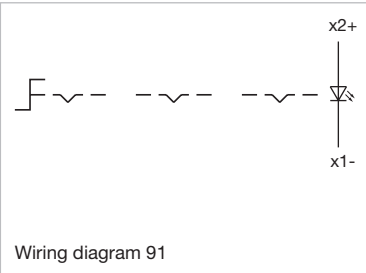
Switching action	Front bezel colour	Front bezel material	Switching angle	Front bezel surface	Part No.	Wiring diagram
Maintained - Rest - Maintained	Grey	Plastic	42° left / 42° right		704.092.0i	91
	Nature	Aluminium	42° left / 42° right	anodised	704.093.0i	91
Momentary - Rest - Momentary	Grey	Plastic	42° left / 42° right		704.094.0i	90
	Nature	Aluminium	42° left / 42° right	anodised	704.095.0i	90
Maintained - Rest - Momentary	Grey	Plastic	42° left / 42° right		704.096.0i	89
	Nature	Aluminium	42° left / 42° right	anodised	704.097.0i	89
Momentary - Rest - Maintained	Grey	Plastic	42° left / 42° right		704.098.0i	88
	Nature	Aluminium	42° left / 42° right	anodised	704.099.0i	88

Wiring diagrams




04 Raised design


Wiring diagrams



01
02
03
04
09
14
17
18
19
22
31
41
45
51
56
57
61
70
71
82
84
92
96

Follow us.
We are on LinkedIn!
EAO creates possibilities. Since 1947.



 [Come take a look at our LinkedIn profile today!](https://www.linkedin.com/company/eao/) Be sure to give us a follow so that you can fully interact with us.

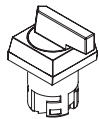
<https://www.linkedin.com/company/eao/>

www.eao.com

eao ■
Your Expert Partner for Human Machine Interfaces

Selector switch 3 positions, long lever, square, IP65

Equipment consisting of (schematic overview)



Actuator



Bayonet flange

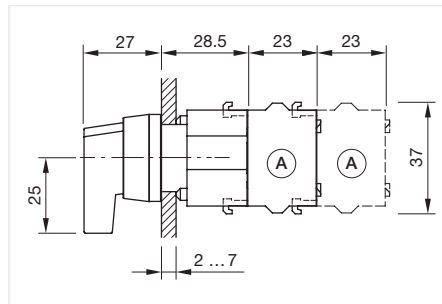


Switching element

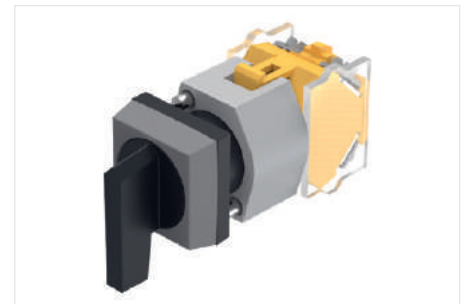
Page 213

Each Part Number listed below includes all the black components shown in the 3D-drawing.

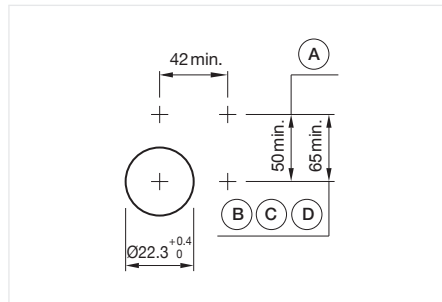
To obtain a complete unit, please select the red components from the pages shown.



Dimensions [mm]
A = Screw terminal



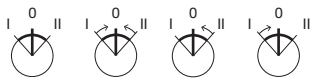
Product can differ from the current configuration.



Mounting cut-outs [mm]
A = Screw terminal
B = Push-in terminal (PIT)
C = Plug-in terminal 6.3 mm x 0.8 mm
D = Double plug-in terminal 6.3 mm x 0.8 mm

General information

- Max. 3 switching elements can be clipped on



Actuator, Front dimension 30 mm x 30 mm

Switching action	Front bezel colour	Front bezel material	Switching angle	Part No.	Wiring diagram
Maintained - Rest - Maintained	Grey	Plastic	42° left / 42° right	704.292.0	95
Momentary - Rest - Momentary	Grey	Plastic	42° left / 42° right	704.294.0	94
Maintained - Rest - Momentary	Grey	Plastic	42° left / 42° right	704.296.0	93
Momentary - Rest - Maintained	Grey	Plastic	42° left / 42° right	704.298.0	92

Wiring diagrams

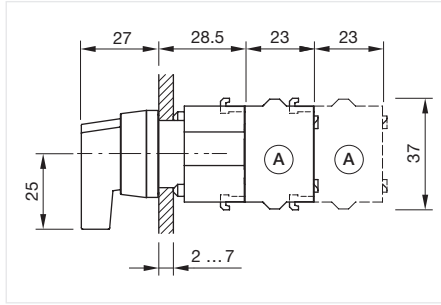
<p>Wiring diagram 92</p>	<p>Wiring diagram 93</p>	<p>Wiring diagram 94</p>	<p>Wiring diagram 95</p>
--------------------------	--------------------------	--------------------------	--------------------------

04 Raised design

Selector switch 3 positions, long lever, round, IP65



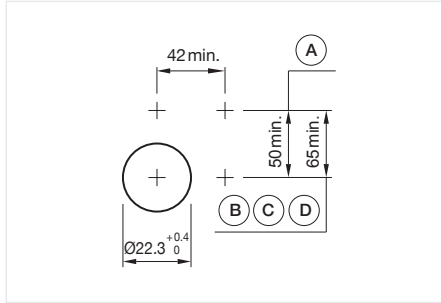
Product can differ from the current configuration.



Dimensions [mm]
A = Screw terminal

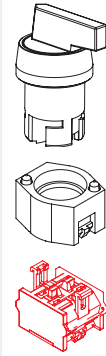
General information

- Max. 3 switching elements can be clipped on
- The colour of anodised aluminium parts can vary due to technical production reasons



Mounting cut-outs [mm]
A = Screw terminal
B = Push-in terminal (PIT)
C = Plug-in terminal 6.3 mm x 0.8 mm
D = Double plug-in terminal 6.3 mm x 0.8 mm

Equipment consisting of (schematic overview)



Actuator

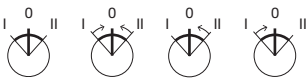
Bayonet flange

Switching element

Page 213

Each Part Number listed below includes all the black components shown in the 3D-drawing.

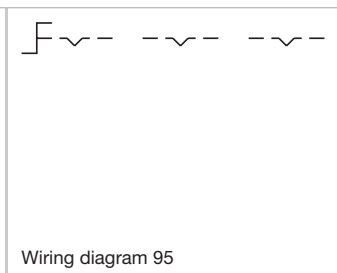
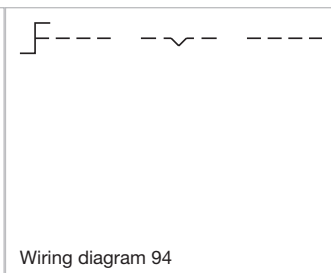
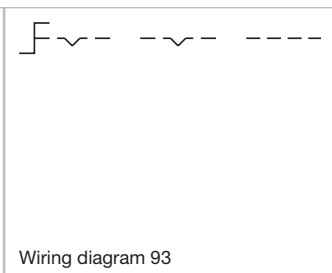
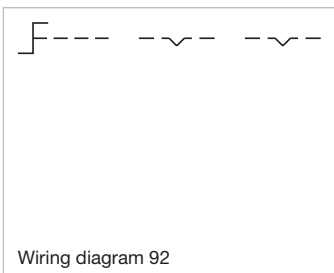
To obtain a complete unit, please select the red components from the pages shown.



Actuator, Front dimension Ø 29 mm

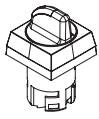
Switching action	Front bezel colour	Front bezel material	Switching angle	Front bezel surface	Part No.	Wiring diagram
Maintained - Rest - Maintained	Grey	Plastic	42° left / 42° right		704.092.0	95
	Nature	Aluminium	42° left / 42° right	anodised	704.093.0	95
Momentary - Rest - Momentary	Grey	Plastic	42° left / 42° right		704.094.0	94
	Nature	Aluminium	42° left / 42° right	anodised	704.095.0	94
Maintained - Rest - Momentary	Grey	Plastic	42° left / 42° right		704.096.0	93
	Nature	Aluminium	42° left / 42° right	anodised	704.097.0	93
Momentary - Rest - Maintained	Grey	Plastic	42° left / 42° right		704.098.0	92
	Nature	Aluminium	42° left / 42° right	anodised	704.099.0	92

Wiring diagrams



Selector rotary switch, short lever, rounded, square, IP65

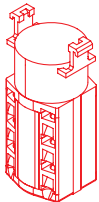
Equipment consisting of (schematic overview)



Actuator



Bayonet flange

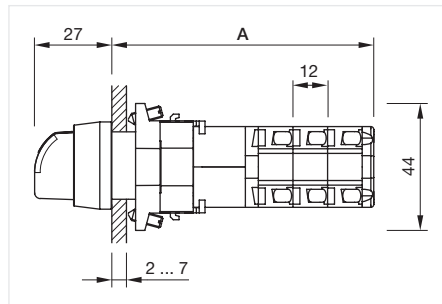


Switching element

Page 227

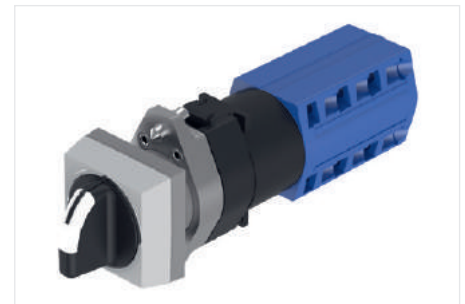
Each Part Number listed below includes all the black components shown in the 3D-drawing.

To obtain a complete unit, please select the red components from the pages shown.

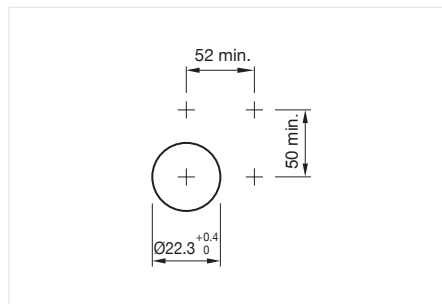


Dimensions [mm]

$$A = (\text{Number of stages} \times 12) + 66.5 \text{ mm}$$



Product can differ from the current configuration.



Mounting cut-outs [mm]

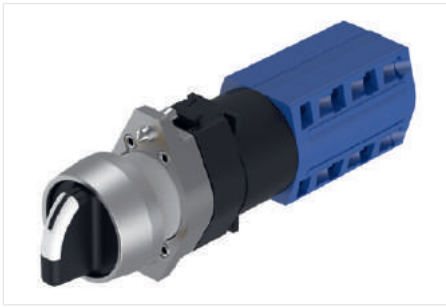


Actuator, Front dimension 30 mm x 30 mm

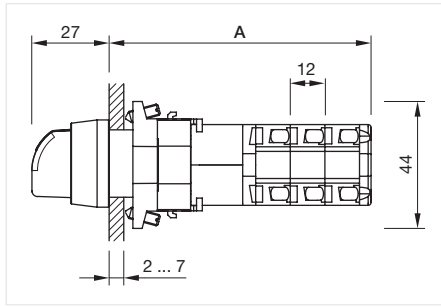
Front bezel colour	Front bezel material	Switching positions	Part No.
Grey	Plastic	Rest = 9 o'clock	704.510.1KNI

04 Raised design

Selector rotary switch, short lever rounded, round, IP65



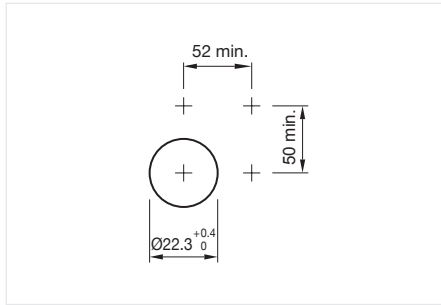
Product can differ from the current configuration.



Dimensions [mm]
 $A = (\text{Number of stages} \times 12) + 66.5 \text{ mm}$

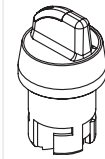
General information

- The colour of anodised aluminium parts can vary due to technical production reasons

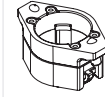


Mounting cut-outs [mm]

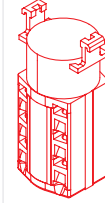
Equipment consisting of (schematic overview)



Actuator



Bayonet flange



Switching element

Page 227

Each Part Number listed below includes all the black components shown in the 3D-drawing.

To obtain a complete unit, please select the red components from the pages shown.

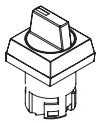


Actuator, Front dimension Ø 29 mm

Front bezel colour	Front bezel material	Switching positions	Front bezel surface	Part No.
Nature	Aluminium	Rest = 9 o'clock	anodised	704.411.1KNI

Selector rotary switch, short lever, square, IP65

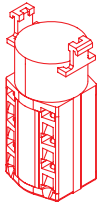
Equipment consisting of (schematic overview)



Actuator



Bayonet flange

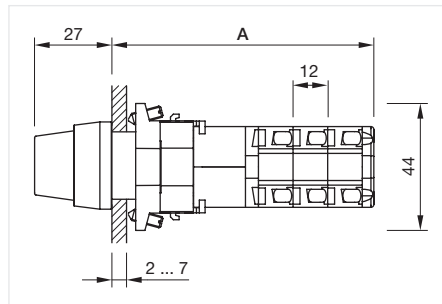


Switching element

Page 227

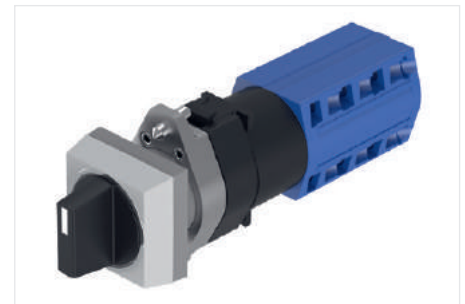
Each Part Number listed below includes all the black components shown in the 3D-drawing.

To obtain a complete unit, please select the red components from the pages shown.

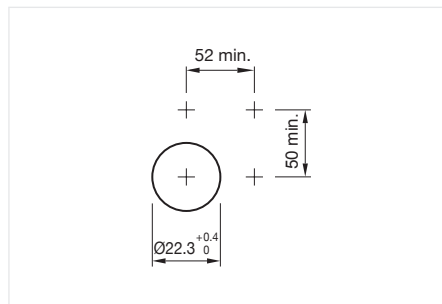


Dimensions [mm]

$$A = (\text{Number of stages} \times 12) + 66.5 \text{ mm}$$



Product can differ from the current configuration.



Mounting cut-outs [mm]

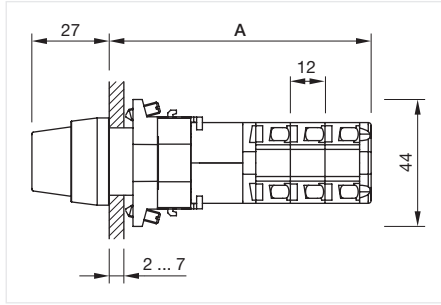
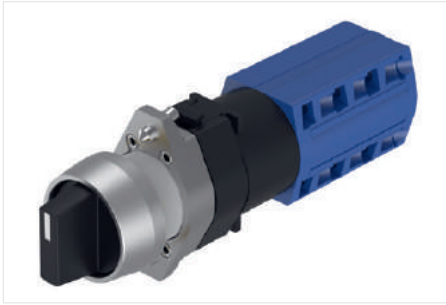


Actuator, Front dimension 30 mm x 30 mm

Front bezel colour	Front bezel material	Switching positions	Part No.
Grey	Plastic	Rest = 9 o'clock	704.510.1KN

04 Raised design

Selector rotary switch, short lever, round, IP65

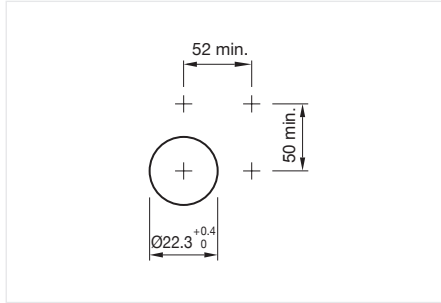


Product can differ from the current configuration.

Dimensions [mm]
 $A = (\text{Number of stages} \times 12) + 66.5 \text{ mm}$

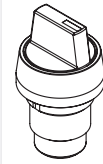
General information

- The colour of anodised aluminium parts can vary due to technical production reasons

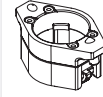


Mounting cut-outs [mm]

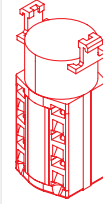
Equipment consisting of (schematic overview)



Actuator



Bayonet flange



Switching element

Page 227

Each Part Number listed below includes all the black components shown in the 3D-drawing.

To obtain a complete unit, please select the red components from the pages shown.

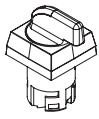


Actuator, Front dimension Ø 29 mm

Front bezel colour	Front bezel material	Switching positions	Front bezel surface	Part No.
Nature	Aluminium	Rest = 9 o'clock	anodised	704.411.1KN

Selector rotary switch, long lever rounded, square, IP65

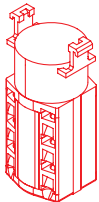
Equipment consisting of (schematic overview)



Actuator



Bayonet flange

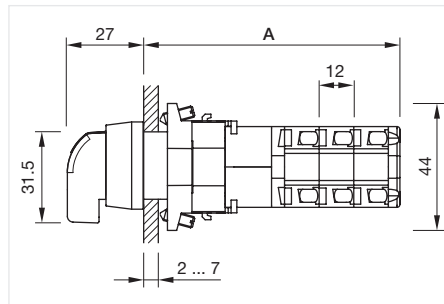


Switching element

Page 227

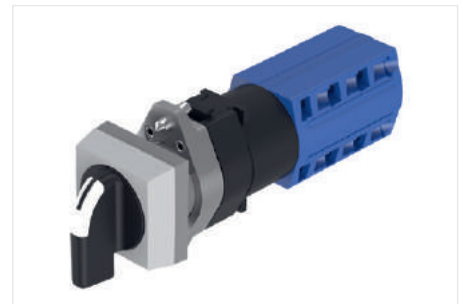
Each Part Number listed below includes all the black components shown in the 3D-drawing.

To obtain a complete unit, please select the red components from the pages shown.

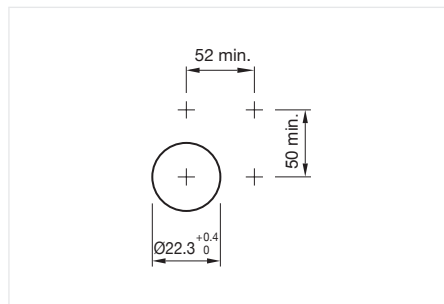


Dimensions [mm]

$$A = (\text{Number of stages} \times 12) + 66.5 \text{ mm}$$



Product can differ from the current configuration.



Mounting cut-outs [mm]



Actuator, Front dimension 30 mm x 30 mm

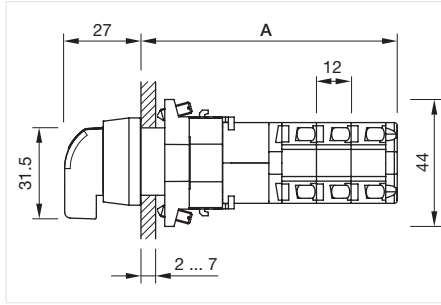
Front bezel colour	Front bezel material	Switching positions	Part No.
Grey	Plastic	Rest = 9 o'clock	704.300.1KNI

04 Raised design

Selector rotary switch, long lever rounded, round, IP65



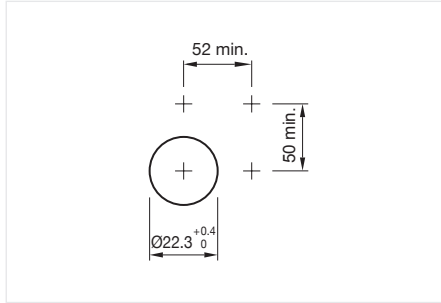
Product can differ from the current configuration.



Dimensions [mm]
 $A = (\text{Number of stages} \times 12) + 66.5 \text{ mm}$

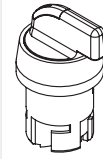
General information

- The colour of anodised aluminium parts can vary due to technical production reasons

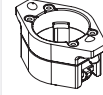


Mounting cut-outs [mm]

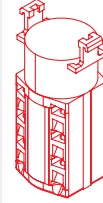
Equipment consisting of (schematic overview)



Actuator



Bayonet flange



Switching element

Page 227

Each Part Number listed below includes all the black components shown in the 3D-drawing.

To obtain a complete unit, please select the red components from the pages shown.

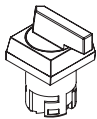


Actuator, Front dimension Ø 29 mm

Front bezel colour	Front bezel material	Switching positions	Front bezel surface	Part No.
Nature	Aluminium	Rest = 9 o'clock	anodised	704.101.1KNI

Selector rotary switch, long lever, square, IP65

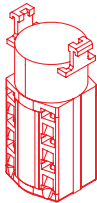
Equipment consisting of (schematic overview)



Actuator



Bayonet flange

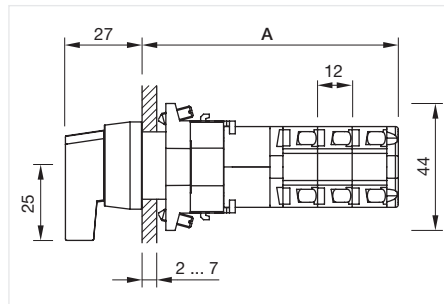


Switching element

Page 227

Each Part Number listed below includes all the black components shown in the 3D-drawing.

To obtain a complete unit, please select the red components from the pages shown.

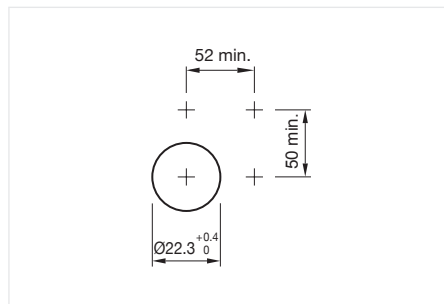


Dimensions [mm]

$$A = (\text{Number of stages} \times 12) + 66.5 \text{ mm}$$



Product can differ from the current configuration.



Mounting cut-outs [mm]



Actuator, Front dimension 30 mm x 30 mm

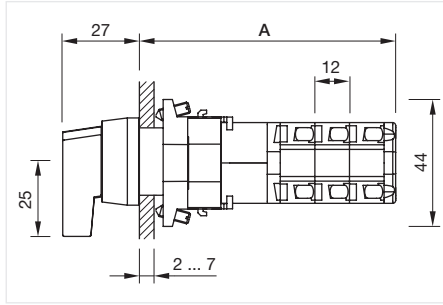
Front bezel colour	Front bezel material	Switching positions	Part No.
Grey	Plastic	Rest = 9 o'clock	704.300.1KN

04 Raised design

Selector rotary switch, long lever, round, IP65



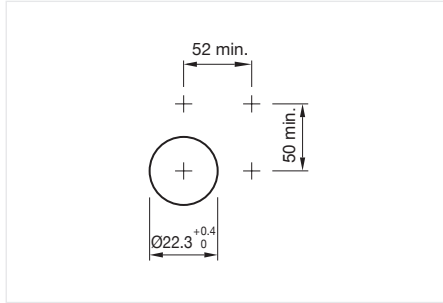
Product can differ from the current configuration.



Dimensions [mm]
 $A = (\text{Number of stages} \times 12) + 66.5 \text{ mm}$

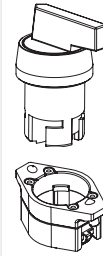
General information

- The colour of anodised aluminium parts can vary due to technical production reasons

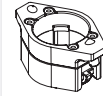


Mounting cut-outs [mm]

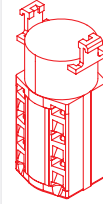
Equipment consisting of (schematic overview)



Actuator



Bayonet flange



Switching element

Page 227

Each Part Number listed below includes all the black components shown in the 3D-drawing.

To obtain a complete unit, please select the red components from the pages shown.



Actuator, Front dimension Ø 29 mm

Front bezel colour	Front bezel material	Switching positions	Front bezel surface	Part No.
Nature	Aluminium	Rest = 12 o'clock	anodised	704.101.0KN
	Aluminium	Rest = 9 o'clock	anodised	704.101.1KN

Keylock switch 2 positions, square, IP65

Equipment consisting of (schematic overview)



Actuator



Bayonet flange

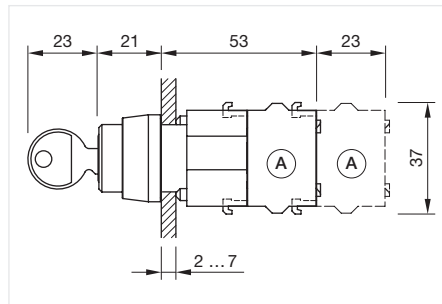


Switching element

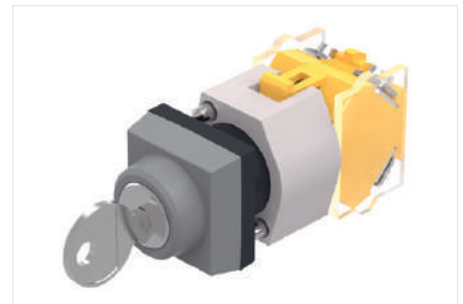
Page 213

Each Part Number listed below includes all the black components shown in the 3D-drawing.

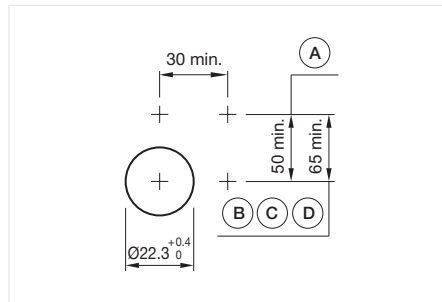
To obtain a complete unit, please select the red components from the pages shown.



Dimensions [mm]
A = Screw terminal



Product can differ from the current configuration.



Mounting cut-outs [mm]
A = Screw terminal
B = Push-in terminal (PIT)
C = Plug-in terminal 6.3 mm x 0.8 mm
D = Double plug-in terminal 6.3 mm x 0.8 mm

General information

- Max. 3 switching elements can be clipped on
- The standard lock Ronis 251

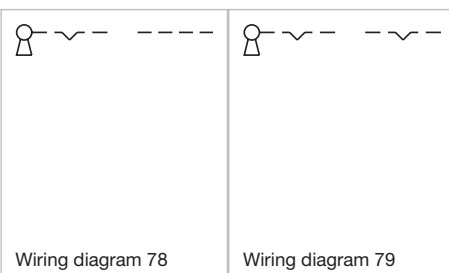


Actuator, Front dimension 30 mm x 30 mm

Switching action	Front bezel colour	Front bezel material	Switching angle	Part No.	Wiring diagram
Rest - Maintained (a)	Grey	Plastic	90° right	704.340.0	79
Rest (a) - Maintained	Grey	Plastic	90° right	704.341.0	79
Rest (a) - Maintained (a)	Grey	Plastic	90° right	704.342.0	79
Rest (a) - Momentary	Grey	Plastic	42° right	704.343.0	78

a = Key remove

Wiring diagrams

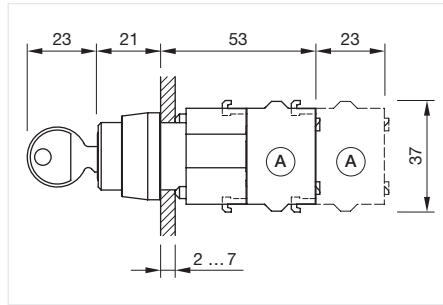


04 Raised design

Keylock switch 2 positions, round, IP65



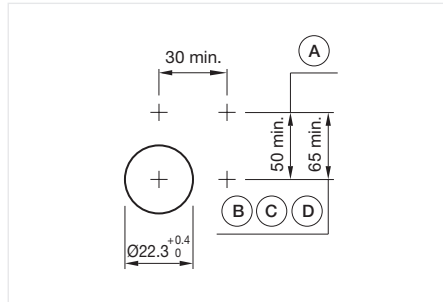
Product can differ from the current configuration.



Dimensions [mm]
A = Screw terminal

General information

- Max. 3 switching elements can be clipped on
- The standard lock Ronis 251
- The colour of anodised aluminium parts can vary due to technical production reasons

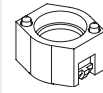


Mounting cut-outs [mm]
A = Screw terminal
B = Push-in terminal (PIT)
C = Plug-in terminal 6.3 mm x 0.8 mm
D = Double plug-in terminal 6.3 mm x 0.8 mm

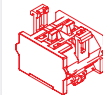
Equipment consisting of (schematic overview)



Actuator



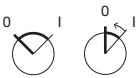
Bayonet flange



Switching element Page 213

Each Part Number listed below includes all the black components shown in the 3D-drawing.

To obtain a complete unit, please select the red components from the pages shown.

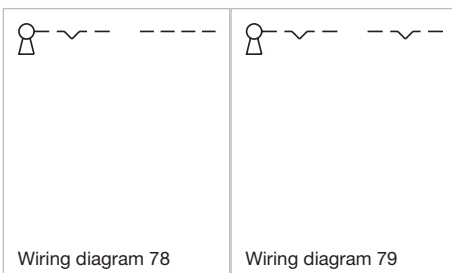


Actuator, Front dimension Ø 29 mm

Switching action	Front bezel colour	Front bezel material	Switching angle	Part No.	Wiring diagram
Rest - Maintained (a)	Nature	Aluminium	90° right	704.120.0	79
Rest (a) - Maintained	Nature	Aluminium	90° right	704.121.0	79
Rest (a) - Maintained (a)	Nature	Aluminium	90° right	704.122.0	79
Rest (a) - Momentary	Nature	Aluminium	42° right	704.123.0	78

a = Key remove

Wiring diagrams



Wiring diagram 78

Wiring diagram 79

Keylock switch 3 positions, square, IP65

Equipment consisting of (schematic overview)



Actuator



Bayonet flange

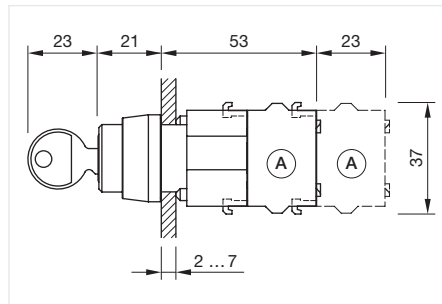


Switching element

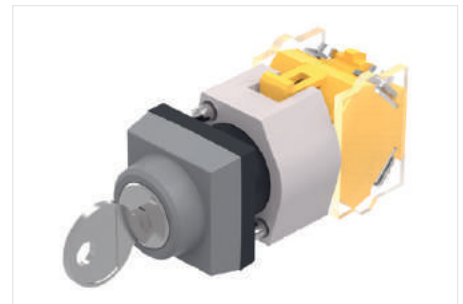
Page 213

Each Part Number listed below includes all the black components shown in the 3D-drawing.

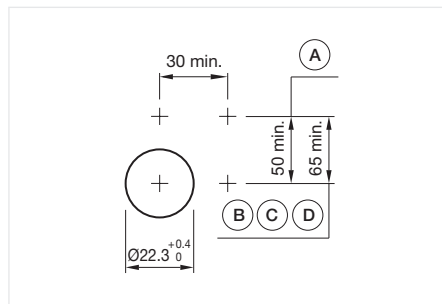
To obtain a complete unit, please select the red components from the pages shown.



Dimensions [mm]
A = Screw terminal



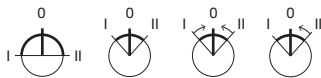
Product can differ from the current configuration.



Mounting cut-outs [mm]
A = Screw terminal
B = Push-in terminal (PIT)
C = Plug-in terminal 6.3 mm x 0.8 mm
D = Double plug-in terminal 6.3 mm x 0.8 mm

General information

- Max. 3 switching elements can be clipped on
- The standard lock Ronis 251

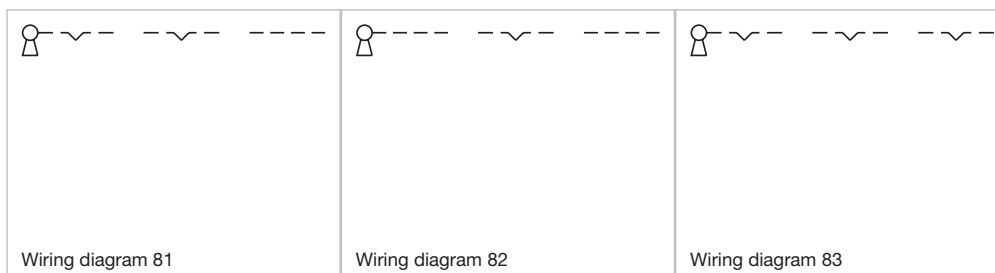


Actuator, Front dimension 30 mm x 30 mm

Switching action	Front bezel colour	Front bezel material	Switching angle	Part No.	Wiring diagram
Maintained (a) - Rest (a) - Maintained (a)	Grey	Plastic	90° left / 90° right	704.333.0	83
Maintained - Rest (a) - Maintained	Grey	Plastic	42° left / 42° right	704.334.0	83
Momentary - Rest (a) - Momentary	Grey	Plastic	42° left / 42° right	704.335.0	82
Maintained (a) - Rest - Momentary	Grey	Plastic	42° left / 42° right	704.337.0	81
Maintained (a) - Rest (a) - Momentary	Grey	Plastic	42° left / 42° right	704.344.0	81

a = Key remove

Wiring diagrams

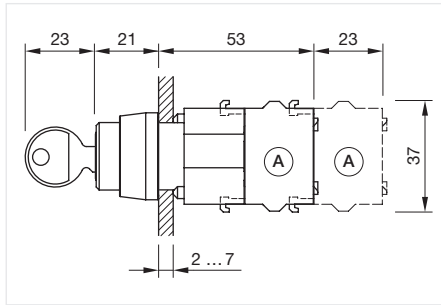


04 Raised design

Keylock switch 3 positions, round, IP65



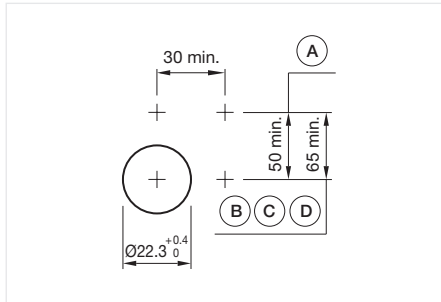
Product can differ from the current configuration.



Dimensions [mm]
A = Screw terminal

General information

- Max. 3 switching elements can be clipped on
- The standard lock Ronis 251
- The colour of anodised aluminium parts can vary due to technical production reasons

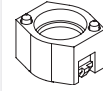


Mounting cut-outs [mm]
A = Screw terminal
B = Push-in terminal (PIT)
C = Plug-in terminal 6.3 mm x 0.8 mm
D = Double plug-in terminal 6.3 mm x 0.8 mm

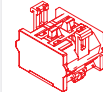
Equipment consisting of (schematic overview)



Actuator



Bayonet flange



Switching element

Page 213

Each Part Number listed below includes all the black components shown in the 3D-drawing.

To obtain a complete unit, please select the red components from the pages shown.

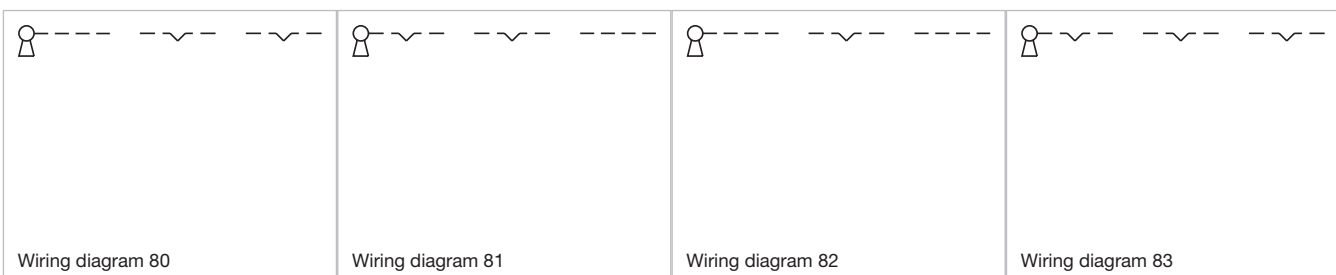


Actuator, Front dimension Ø 29 mm

Switching action	Front bezel colour	Front bezel material	Switching angle	Part No.	Wiring diagram
Maintained (a) - Rest (a) - Maintained (a)	Nature	Aluminium	90° left / 90° right	704.113.0	83
Maintained - Rest (a) - Maintained	Nature	Aluminium	42° left / 42° right	704.114.0	83
Momentary - Rest (a) - Momentary	Nature	Aluminium	42° left / 42° right	704.115.0	82
Maintained (a) - Rest - Maintained (a)	Nature	Aluminium	42° left / 42° right	704.116.0	83
Maintained (a) - Rest - Momentary	Nature	Aluminium	42° left / 42° right	704.117.0	81
Momentary - Rest (a) - Maintained	Nature	Aluminium	42° left / 42° right	704.118.0	80
Maintained (a) - Rest (a) - Momentary	Nature	Aluminium	42° left / 42° right	704.124.0	81

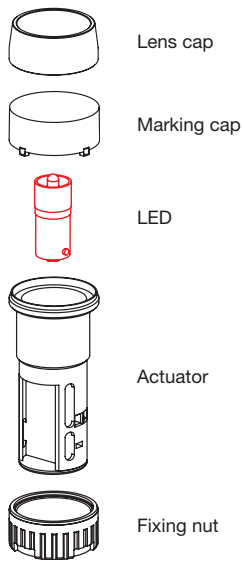
a = Key remove

Wiring diagrams



Indicator full-face illumination compact, round, IP65

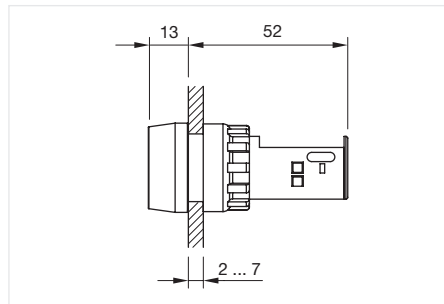
Equipment consisting of (schematic overview)



Page 204

Each Part Number listed below includes all the black components shown in the 3D-drawing.

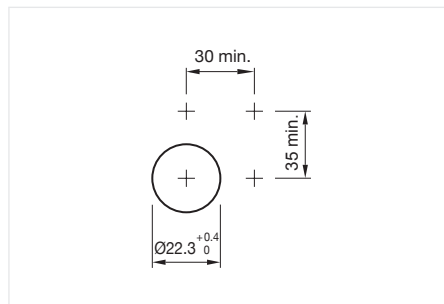
To obtain a complete unit, please select the red components from the pages shown.



Dimensions [mm]



Product can differ from the current configuration.



Mounting cut-outs [mm]

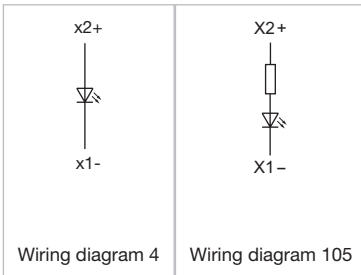


Actuator, Front dimension Ø 29 mm

Product attributes	Housing colour	Housing material	Lens cap colour	Marking cap colour	Part No.	Wiring diagram
Filament lamp max. 2.6 W or LED	Grey	Plastic	Red	White	704.020.2	4
	Grey	Plastic	Yellow	White	704.020.4	4
	Grey	Plastic	Green	White	704.020.5	4
	Grey	Plastic	Blue	White	704.020.6	4
	Grey	Plastic	Colourless	White	704.020.7	4
Filament lamp 130 V, max. 2.6 W with integrated series resistor 230/130 V	Grey	Plastic	Red	Colourless	704.021.2	4
	Grey	Plastic	Yellow	Colourless	704.021.4	4
	Grey	Plastic	Green	Colourless	704.021.5	4
	Grey	Plastic	Blue	Colourless	704.021.6	4
	Grey	Plastic	Colourless	Colourless	704.021.7	4
	Grey	Plastic	Red	White	704.022.2	105
	Grey	Plastic	Yellow	White	704.022.4	105
Grey	Plastic	Green	White	704.022.5	105	
Grey	Plastic	Blue	White	704.022.6	105	
Grey	Plastic	Colourless	White	704.022.7	105	

04 Raised design

Wiring diagrams






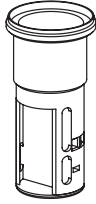

EAO Downloads.
www.eao.com/downloads
EAO creates possibilities. Since 1947.



[On our website you can download technical data, assembly instructions, catalogs, brochures and much more.](http://www.eao.com/downloads)

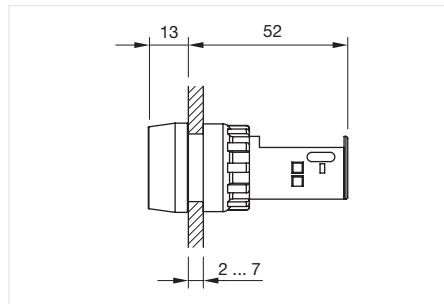
Indicator full-face illumination compact, round, IP65

Equipment consisting of (schematic overview)

-  Lens cap Page 200
-  Marking cap Page 201
-  LED Page 204
-  Actuator
-  Fixing nut

Each Part Number listed below includes all the black components shown in the 3D-drawing.

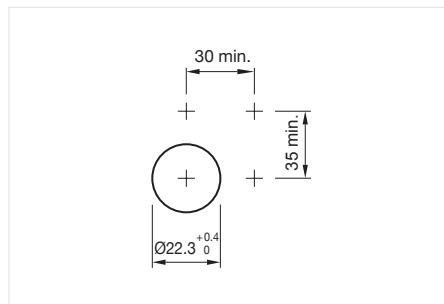
To obtain a complete unit, please select the red components from the pages shown.



Dimensions [mm]



Product can differ from the current configuration.



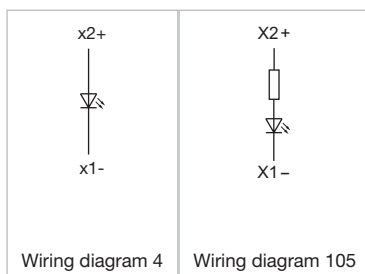
Mounting cut-outs [mm]



Actuator, Front dimension \varnothing 29 mm

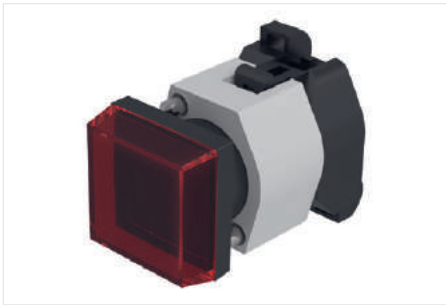
Product attributes	Housing colour	Housing material	Part No.	Wiring diagram
Without built-in series resistor	Grey	Plastic	704.642.0	4
With series resistor for 220/240 V and filament lamp 130 V, 20 mA	Grey	Plastic	704.642.1	105
With series resistor for 110/125 V and filament lamp 60 V, 33 mA	Grey	Plastic	704.642.2	105

Wiring diagrams

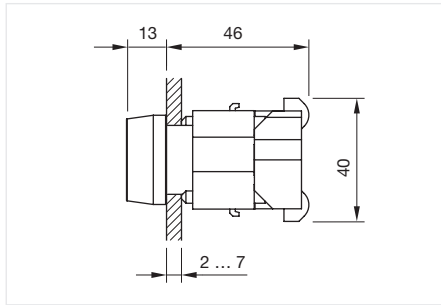


04 Raised design

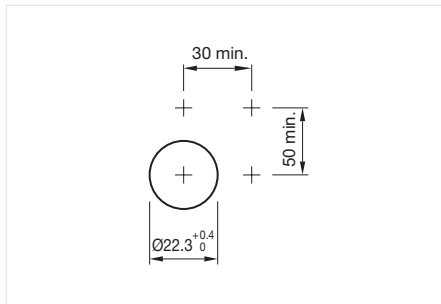
Indicator full-face illumination, square, IP65



Product can differ from the current configuration.

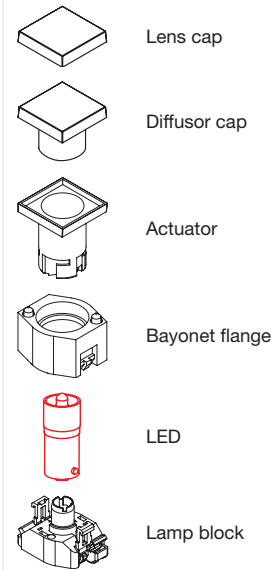


Dimensions [mm]



Mounting cut-outs [mm]

Equipment consisting of (schematic overview)



Page 204

Each Part Number listed below includes all the black components shown in the 3D-drawing.

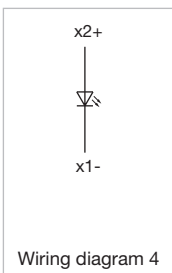
To obtain a complete unit, please select the red components from the pages shown.



Actuator, Front dimension 30 mm x 30 mm

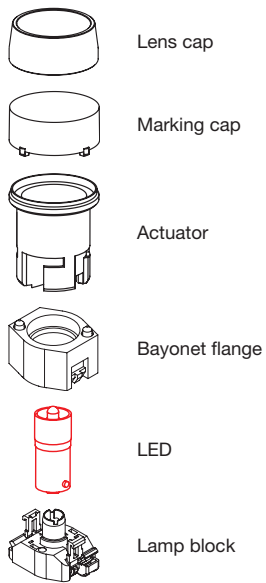
Housing colour	Housing material	Front bezel colour	Lens cap colour	Marking cap colour	Diffusor cap colour	Part No.	Wiring diagram
Grey	Plastic	Black	Red	White	White	704.199.2	4
	Plastic	Black	Yellow	White	White	704.199.4	4
	Plastic	Black	Green	White	White	704.199.5	4
	Plastic	Black	Colourless	White	White	704.199.7	4
	Plastic	Grey	Red	White	White	704.200.2	4
	Plastic	Grey	Yellow	White	White	704.200.4	4
	Plastic	Grey	Green	White	White	704.200.5	4
	Plastic	Grey	Blue	White	White	704.200.6	4
Plastic	Grey	Colourless	White	White	704.200.7	4	

Wiring diagrams



Indicator full-face illumination, round, IP65

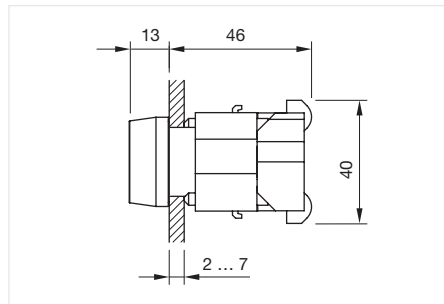
Equipment consisting of (schematic overview)



Page 204

Each Part Number listed below includes all the black components shown in the 3D-drawing.

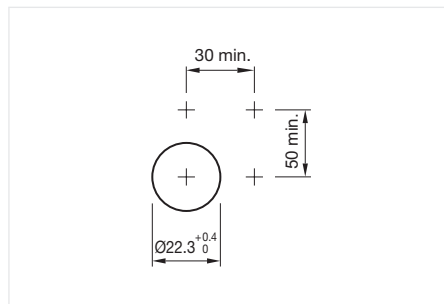
To obtain a complete unit, please select the red components from the pages shown.



Dimensions [mm]



Product can differ from the current configuration.



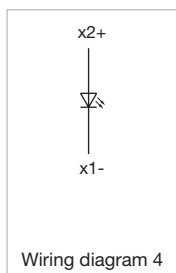
Mounting cut-outs [mm]



Actuator, Front dimension Ø 29 mm

Housing colour	Housing material	Lens cap colour	Marking cap colour	Diffusor cap colour	Part No.	Wiring diagram
Grey	Plastic	Red	White	White	704.000.2	4
	Plastic	Yellow	White	White	704.000.4	4
	Plastic	Green	White	White	704.000.5	4
	Plastic	Blue	White	White	704.000.6	4
	Plastic	Colourless	White	White	704.000.7	4
	Plastic	Red	Colourless	White	704.001.2	4
	Plastic	Yellow	Colourless	White	704.001.4	4
	Plastic	Green	Colourless	White	704.001.5	4
	Plastic	Blue	Colourless	White	704.001.6	4
	Plastic	Colourless	Colourless	Colourless	White	704.001.7

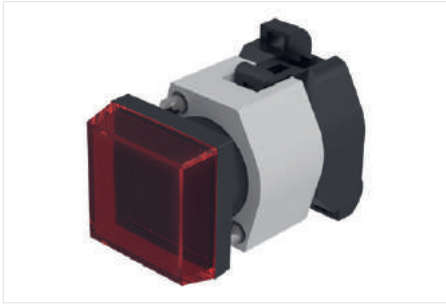
Wiring diagrams



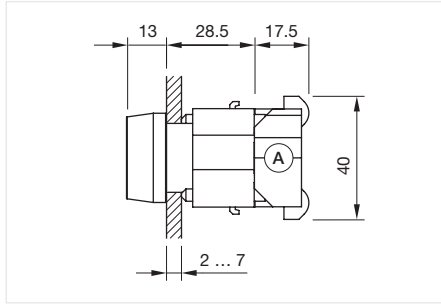
01
02
03
04
09
14
17
18
19
22
31
41
45
51
56
57
61
70
71
82
84
92
96

04 Raised design

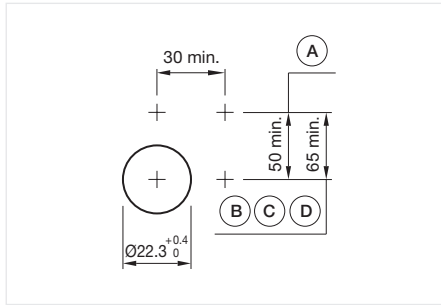
Indicator full-face illumination, square, IP65



Product can differ from the current configuration.



Dimensions [mm]
A = Screw terminal



Mounting cut-outs [mm]
A = Screw terminal
B = Push-in terminal (PIT)
C = Plug-in terminal 6.3 mm x 0.8 mm
D = Double plug-in terminal 6.3 mm x 0.8 mm

Equipment consisting of (schematic overview)

	Lens cap	Page 200
	Diffuser cap	Page 201
	Actuator	
	Bayonet flange	Page 203
	LED	Page 204
	Lamp block	Page 210

Each Part Number listed below includes all the black components shown in the 3D-drawing.

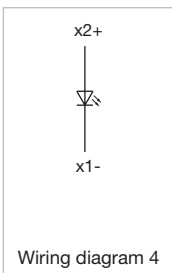
To obtain a complete unit, please select the red components from the pages shown.



Actuator, Front dimension 30 mm x 30 mm




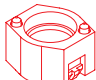

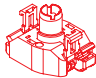
Housing colour	Housing material	Part No.	Wiring diagram
Black	Plastic	704.730.0	4
Grey	Plastic	704.730.1	4

Wiring diagrams



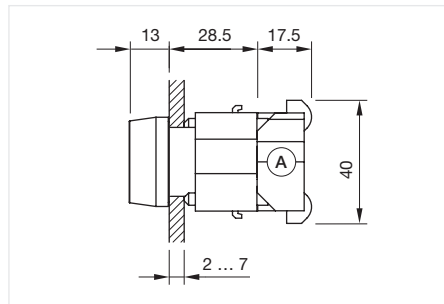
Indicator full-face illumination, round, IP65

Equipment consisting of (schematic overview)

	Lens cap	Page 200
	Marking cap	Page 201
	Actuator	
	Bayonet flange	Page 203
	LED	Page 204
	Lamp block	Page 210

Each Part Number listed below includes all the black components shown in the 3D-drawing.

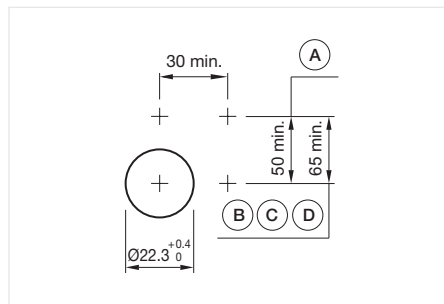
To obtain a complete unit, please select the red components from the pages shown.



Dimensions [mm]
A = Screw terminal



Product can differ from the current configuration.



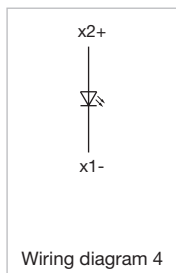
Mounting cut-outs [mm]
A = Screw terminal
B = Push-in terminal (PIT)
C = Plug-in terminal 6.3 mm x 0.8 mm
D = Double plug-in terminal 6.3 mm x 0.8 mm



Actuator, Front dimension Ø 29 mm

Housing colour	Housing material	Part No.	Wiring diagram
Grey	Plastic	704.630.1	4

Wiring diagrams



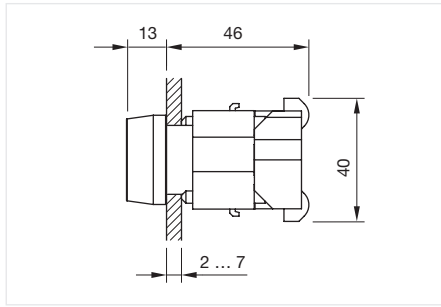
01
02
03
04
09
14
17
18
19
22
31
41
45
51
56
57
61
70
71
82
84
92
96

04 Raised design

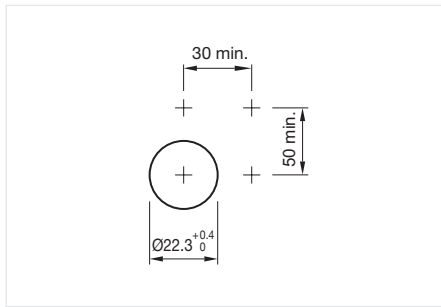
Indicator front illumination, square, IP65



Product can differ from the current configuration.

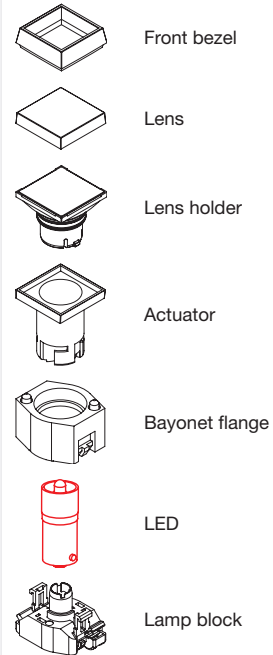


Dimensions [mm]



Mounting cut-outs [mm]

Equipment consisting of (schematic overview)



Page 204

Each Part Number listed below includes all the black components shown in the 3D-drawing.

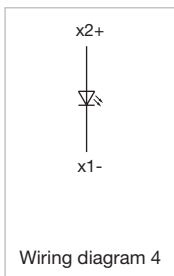
To obtain a complete unit, please select the red components from the pages shown.



Actuator, Front dimension 30 mm x 30 mm

Housing colour	Housing material	Front bezel colour	Lens colour	Marking plate colour	Marking plate optics	Part No.	Wiring diagram
Black	Plastic	Grey	Red	White	translucent	704.202.2	4
	Plastic	Grey	Yellow	White	translucent	704.202.4	4
	Plastic	Grey	Green	White	translucent	704.202.5	4
	Plastic	Grey	Blue	White	translucent	704.202.6	4
	Plastic	Grey	Colourless	White	translucent	704.202.7	4
	Plastic	Grey	Red	Colourless	transparent	704.203.2	4
	Plastic	Grey	Yellow	Colourless	transparent	704.203.4	4
	Plastic	Grey	Green	Colourless	transparent	704.203.5	4
	Plastic	Grey	Blue	Colourless	transparent	704.203.6	4
	Plastic	Grey	Colourless	Colourless	transparent	704.203.7	4
	Plastic	Black	Red	White	translucent	704.206.2	4
	Plastic	Black	Yellow	White	translucent	704.206.4	4
	Plastic	Black	Green	White	translucent	704.206.5	4
	Plastic	Black	Blue	White	translucent	704.206.6	4
	Plastic	Black	Colourless	White	translucent	704.206.7	4
	Plastic	Black	Green	Colourless	transparent	704.207.5	4
	Plastic	Black	Blue	Colourless	transparent	704.207.6	4

Wiring diagrams



- 01
- 02
- 03
- 04**
- 09
- 14
- 17
- 18
- 19
- 22
- 31
- 41
- 45
- 51
- 56
- 57
- 61
- 70
- 71
- 82
- 84
- 92
- 96



Modern. Tactile and long-lasting. *Series 04 illuminated selector switches.*

Intuitive and reliable operation for enhanced safety in public transportation.

- Bright, single or bi-colour LED illumination
- Modern, ergonomic design
- Rounded edges (in accordance with DIN 5566-1)
- Excellent tactile feedback
- Long service life and robust construction
- Wide range of possible combinations and options

www.eao.com

eao ■

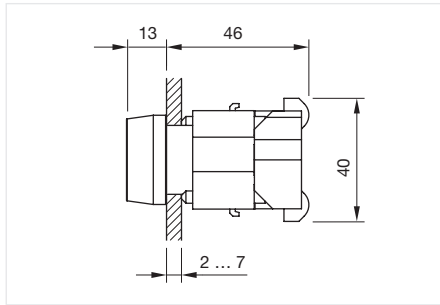
Your Expert Partner for Human Machine Interfaces

04 Raised design

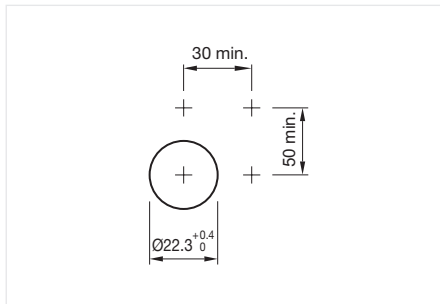
Indicator front illumination, round, IP65



Product can differ from the current configuration.

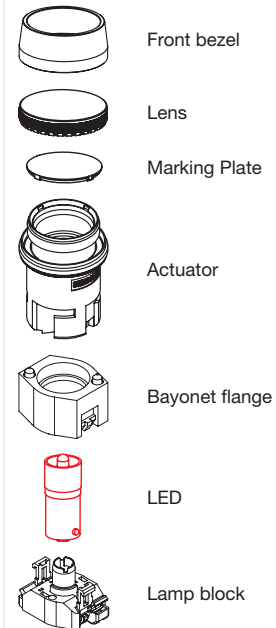


Dimensions [mm]



Mounting cut-outs [mm]

Equipment consisting of (schematic overview)



Page 204

Each Part Number listed below includes all the black components shown in the 3D-drawing.

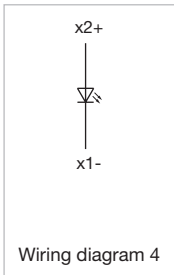
To obtain a complete unit, please select the red components from the pages shown.



Actuator, Front dimension Ø 29 mm

Product attributes	Housing colour	Housing material	Front bezel colour	Lens colour	Marking plate colour	Marking plate optics	Part No.	Wiring diagram
Filament lamp or LED	Grey	Plastic	Grey	Red	White	translucent	704.002.2	4
	Grey	Plastic	Grey	Yellow	White	translucent	704.002.4	4
	Grey	Plastic	Grey	Green	White	translucent	704.002.5	4
	Grey	Plastic	Grey	Blue	White	translucent	704.002.6	4
	Grey	Plastic	Grey	Colourless	White	translucent	704.002.7	4
	Grey	Plastic	Grey	Red	Colourless	transparent	704.003.2	4
	Grey	Plastic	Grey	Yellow	Colourless	transparent	704.003.4	4
	Grey	Plastic	Grey	Green	Colourless	transparent	704.003.5	4
	Grey	Plastic	Grey	Blue	Colourless	transparent	704.003.6	4
	Grey	Plastic	Grey	Colourless	Colourless	transparent	704.003.7	4
Filament lamp or LED	Grey	Plastic	Black	Red	White	translucent	704.006.2	4
	Grey	Plastic	Black	Yellow	White	translucent	704.006.4	4
	Grey	Plastic	Black	Green	White	translucent	704.006.5	4
	Grey	Plastic	Black	Blue	White	translucent	704.006.6	4
	Grey	Plastic	Black	Colourless	White	translucent	704.006.7	4

Wiring diagrams



01
02
03
04
09
14
17
18
19
22
31
41
45
51
56
57
61
70
71
82
84
92
96

Follow us.
We are on YouTube!
EAO ermöglicht. Seit 1947.

[Come take a look at our YouTube profile today!](https://www.youtube.com/user/eaoswitches) *Be sure to give us a follow so that you can fully interact with us.*

<https://www.youtube.com/user/eaoswitches>

eao ■
Your Expert Partner for Human Machine Interfaces

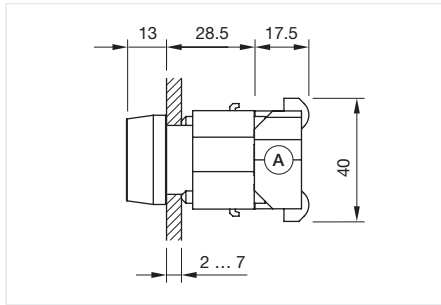
www.eao.com

04 Raised design

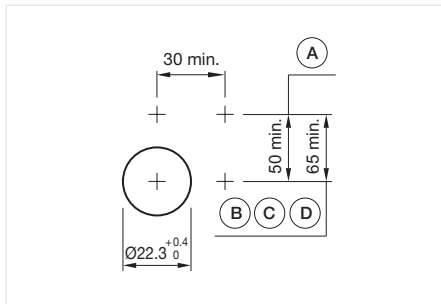
Indicator front illumination, square, IP65



Product can differ from the current configuration.



Dimensions [mm]
A = Screw terminal



Mounting cut-outs [mm]
A = Screw terminal
B = Push-in terminal (PIT)
C = Plug-in terminal 6.3 mm x 0.8 mm
D = Double plug-in terminal 6.3 mm x 0.8 mm

Equipment consisting of (schematic overview)

	Front bezel	Page 202
	Lens	Page 199
	Lens holder	Page 201
	Actuator	
	Bayonet flange	Page 203
	LED	Page 204
	Lamp block	Page 210

Each Part Number listed below includes all the black components shown in the 3D-drawing.

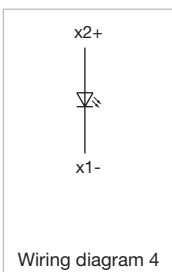
To obtain a complete unit, please select the red components from the pages shown.



Actuator, Front dimension 30 mm x 30 mm





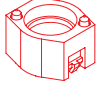
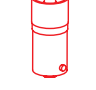

Housing colour	Housing material	Part No.	Wiring diagram
Black	Plastic	704.733.0	4
Grey	Plastic	704.733.1	4

Wiring diagrams



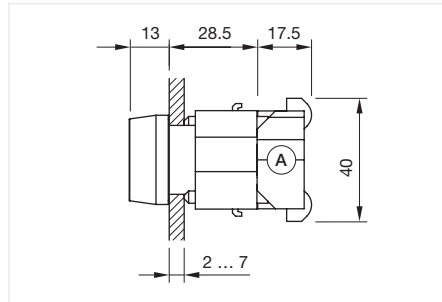
Indicator front illumination, round, IP65

Equipment consisting of (schematic overview)

-  Front bezel Page 202
-  Lens Page 199
-  Marking Plate Page 201
-  Actuator
-  Bayonet flange Page 203
-  LED Page 204
-  Lamp block Page 210

Each Part Number listed below includes all the black components shown in the 3D-drawing.

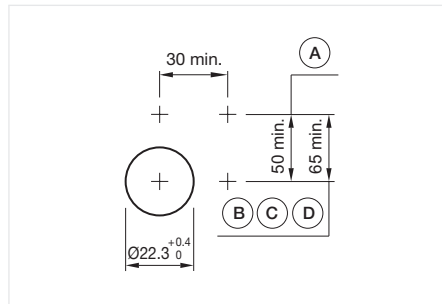
To obtain a complete unit, please select the red components from the pages shown.



Dimensions [mm]
A = Screw terminal



Product can differ from the current configuration.



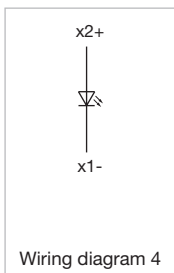
Mounting cut-outs [mm]
A = Screw terminal
B = Push-in terminal (PIT)
C = Plug-in terminal 6.3 mm x 0.8 mm
D = Double plug-in terminal 6.3 mm x 0.8 mm



Actuator, Front dimension Ø 29 mm

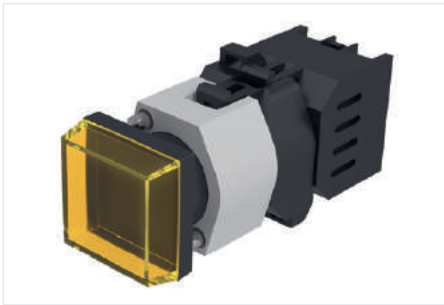
Housing colour	Housing material	Part No.	Wiring diagram
Grey	Plastic	704.633.1	4

Wiring diagrams

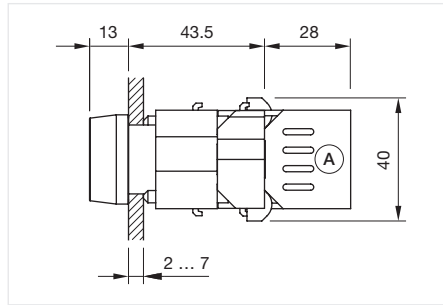


04 Raised design

Flasher full-face illumination, square, IP65



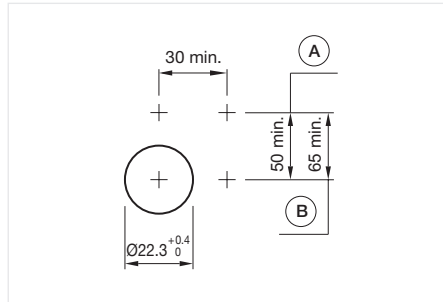
Product can differ from the current configuration.



Dimensions [mm]
A = Screw terminal

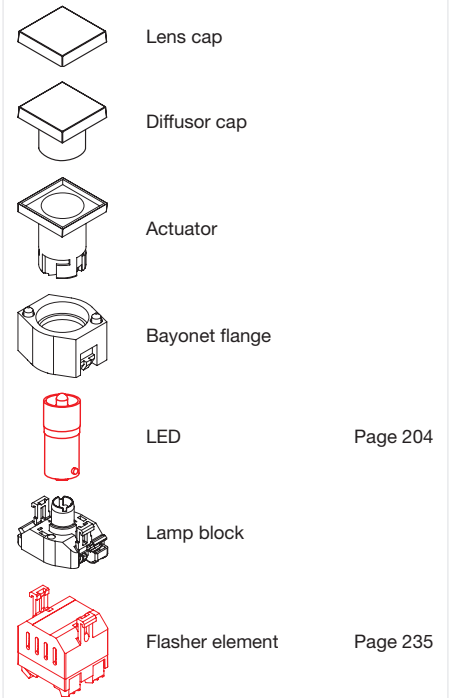
General information

- The lamp block will be delivered with screw terminal



Mounting cut-outs [mm]
A = Screw terminal
B = Push-in terminal (PIT)

Equipment consisting of (schematic overview)



Each Part Number listed below includes all the black components shown in the 3D-drawing.

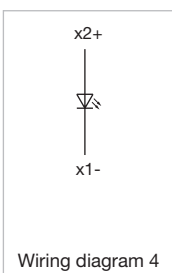
To obtain a complete unit, please select the red components from the pages shown.



Actuator, Front dimension 30 mm x 30 mm

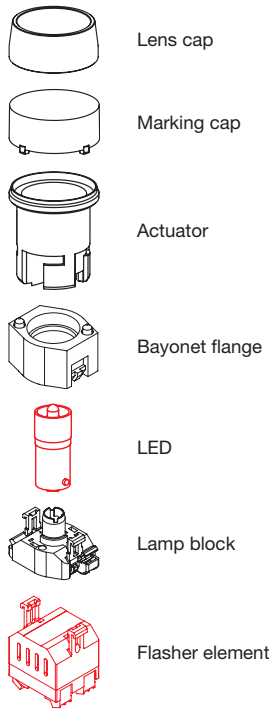
Housing colour	Housing material	Front bezel colour	Front bezel material	Diffusor cap colour	Lens cap colour	Marking cap colour	Part No.	Wiring diagram
Grey	Plastic	Black	Plastic	White	Red	White	704.199.2	4
	Plastic	Black	Plastic	White	Yellow	White	704.199.4	4
	Plastic	Black	Plastic	White	Green	White	704.199.5	4
	Plastic	Black	Plastic	White	Colourless	White	704.199.7	4
	Plastic	Grey	Plastic	White	Red	White	704.200.2	4
	Plastic	Grey	Plastic	White	Yellow	White	704.200.4	4
	Plastic	Grey	Plastic	White	Green	White	704.200.5	4
	Plastic	Grey	Plastic	White	Blue	White	704.200.6	4
	Plastic	Grey	Plastic	White	Colourless	White	704.200.7	4

Wiring diagrams



Flasher full-face illumination, round, IP65

Equipment consisting of (schematic overview)

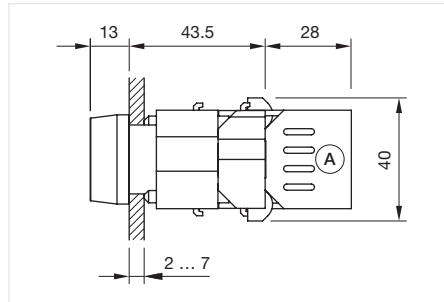


Page 204

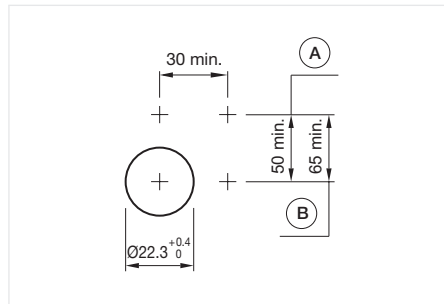
Page 235

Each Part Number listed below includes all the black components shown in the 3D-drawing.

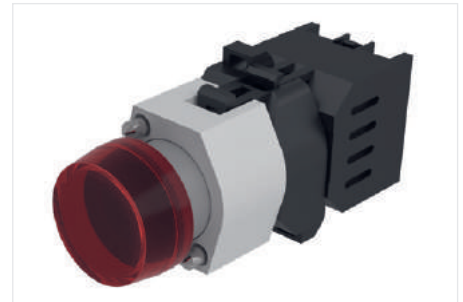
To obtain a complete unit, please select the red components from the pages shown.



Dimensions [mm]
A = Screw terminal



Mounting cut-outs [mm]
A = Screw terminal
B = Push-in terminal (PIT)



Product can differ from the current configuration.

General information

- The lamp block will be delivered with screw terminal



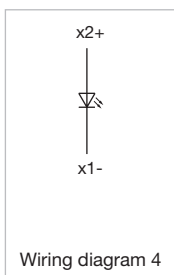
Actuator, Front dimension Ø 29 mm

Housing colour	Housing material	Diffusor cap colour	Diffusor cap surface	Lens cap colour	Marking cap colour	Marking cap surface	Part No.	Wiring diagram
Grey	Plastic	White		Red	White		704.000.2	4
	Plastic	White		Yellow	White		704.000.4	4
	Plastic	White		Green	White		704.000.5	4
	Plastic	White		Blue	White		704.000.6	4
	Plastic	White		Colourless	White		704.000.7	4
	Plastic	White		Red	Colourless	ribbed	704.001.2	4
	Plastic	White	ribbed	Yellow	Colourless	ribbed	704.001.4	4
	Plastic	White	ribbed	Green	Colourless	ribbed	704.001.5	4
	Plastic	White	ribbed	Blue	Colourless	ribbed	704.001.6	4
	Plastic	White	ribbed	Colourless	Colourless	ribbed	704.001.7	4

04 Raised design

- 01
- 02
- 03
- 04**
- 09
- 14
- 17
- 18
- 19
- 22
- 31
- 41
- 45
- 51
- 56
- 57
- 61
- 70
- 71
- 82
- 84
- 92
- 96



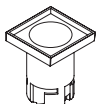


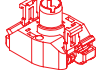
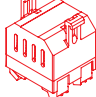
Wiring diagrams



Wiring diagram 4

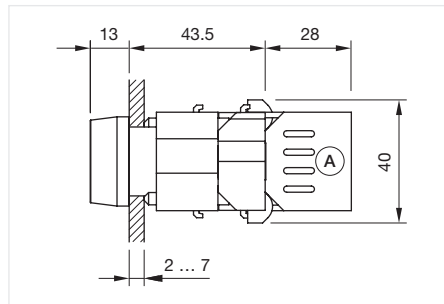
Flasher full-face illumination, square, IP65

Equipment consisting of (schematic overview)

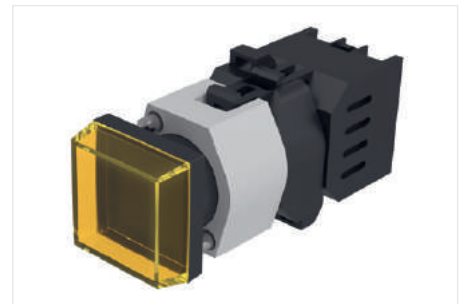
-  Lens cap Page 200
-  Diffusor cap Page 201
-  Actuator
-  Bayonet flange Page 203
-  LED Page 204
-  Lamp block Page 210
-  Flasher element Page 235

Each Part Number listed below includes all the black components shown in the 3D-drawing.

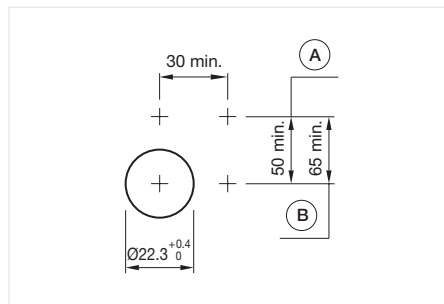
To obtain a complete unit, please select the red components from the pages shown.



Dimensions [mm]
A = Screw terminal



Product can differ from the current configuration.



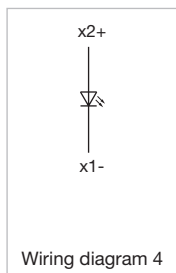
Mounting cut-outs [mm]
A = Screw terminal
B = Push-in terminal (PIT)



Actuator, Front dimension 30 mm x 30 mm

Housing colour	Housing material	Part No.	Wiring diagram
Black	Plastic	704.730.0	4
Grey	Plastic	704.730.1	4

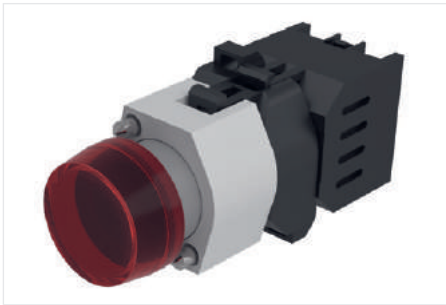
Wiring diagrams



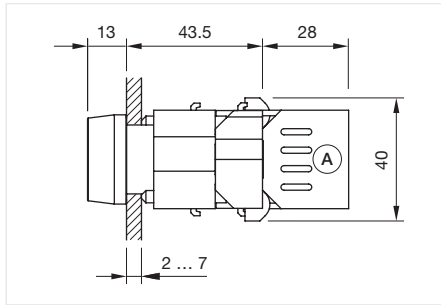
01
02
03
04
09
14
17
18
19
22
31
41
45
51
56
57
61
70
71
82
84
92
96

04 Raised design

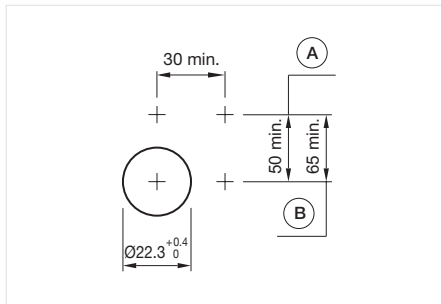
Flasher full-face illumination, round, IP65



Product can differ from the current configuration.



Dimensions [mm]
A = Screw terminal



Mounting cut-outs [mm]
A = Screw terminal
B = Push-in terminal (PIT)

Equipment consisting of (schematic overview)

	Lens cap	Page 200
	Marking cap	Page 201
	Actuator	
	Bayonet flange	Page 203
	LED	Page 204
	Lamp block	Page 210
	Flasher element	Page 235

Each Part Number listed below includes all the black components shown in the 3D-drawing.

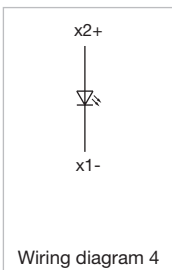
To obtain a complete unit, please select the red components from the pages shown.



Actuator, Front dimension Ø 29 mm

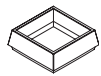
Housing colour	Housing material	Part No.	Wiring diagram
Grey	Plastic	704.630.1	4

Wiring diagrams

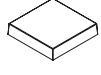


Flasher front illumination, square, IP65

Equipment consisting of (schematic overview)



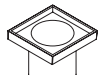
Front bezel



Lens



Lens holder



Actuator

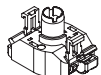


Bayonet flange

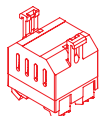


LED

Page 204



Lamp block

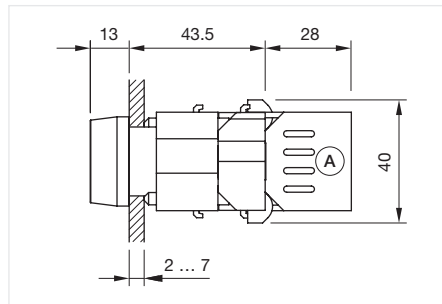


Flasher element

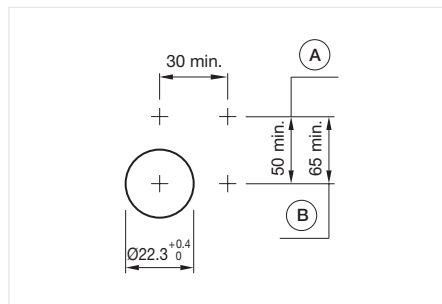
Page 235

Each Part Number listed below includes all the black components shown in the 3D-drawing.

To obtain a complete unit, please select the red components from the pages shown.



Dimensions [mm]
A = Screw terminal



Mounting cut-outs [mm]
A = Screw terminal
B = Push-in terminal (PIT)



Product can differ from the current configuration.

General information

- The lamp block will be delivered with screw terminal

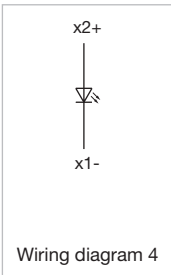


Actuator, Front dimension 30 mm x 30 mm

Housing colour	Housing material	Lens colour	Front bezel colour	Front bezel material	Marking plate colour	Marking plate optics	Part No.	Wiring diagram
Black	Plastic	Red	Grey	Plastic	White	translucent	704.202.2	4
	Plastic	Yellow	Grey	Plastic	White	translucent	704.202.4	4
	Plastic	Green	Grey	Plastic	White	translucent	704.202.5	4
	Plastic	Blue	Grey	Plastic	White	translucent	704.202.6	4
	Plastic	Colourless	Grey	Plastic	White	translucent	704.202.7	4
	Plastic	Red	Grey	Plastic	Colourless	transparent	704.203.2	4
	Plastic	Yellow	Grey	Plastic	Colourless	transparent	704.203.4	4
	Plastic	Green	Grey	Plastic	Colourless	transparent	704.203.5	4
	Plastic	Blue	Grey	Plastic	Colourless	transparent	704.203.6	4
	Plastic	Colourless	Grey	Plastic	Colourless	transparent	704.203.7	4
	Plastic	Red	Black	Plastic	White	translucent	704.206.2	4
	Plastic	Yellow	Black	Plastic	White	translucent	704.206.4	4
	Plastic	Green	Black	Plastic	White	translucent	704.206.5	4
	Plastic	Blue	Black	Plastic	White	translucent	704.206.6	4
	Plastic	Colourless	Black	Plastic	White	translucent	704.206.7	4
	Plastic	Green	Black	Plastic	Colourless	transparent	704.207.5	4
Plastic	Blue	Black	Plastic	Colourless	transparent	704.207.6	4	

04 Raised design

Wiring diagrams



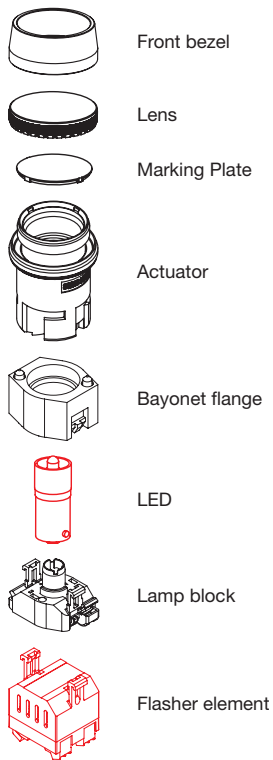
EAO Downloads.
www.eao.com/downloads
EAO creates possibilities. Since 1947.



[On our website you can download technical data, assembly instructions, catalogs, brochures and much more.](http://www.eao.com/downloads)

Flasher front illumination, round, IP65

Equipment consisting of (schematic overview)

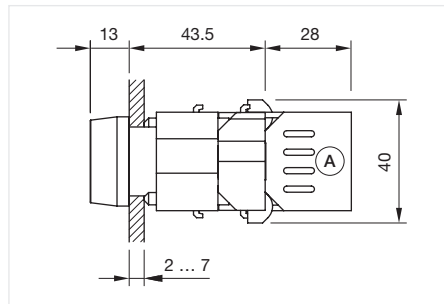


Page 204

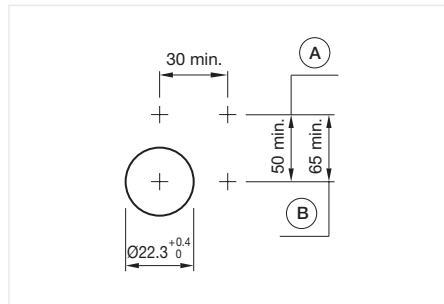
Page 235

Each Part Number listed below includes all the black components shown in the 3D-drawing.

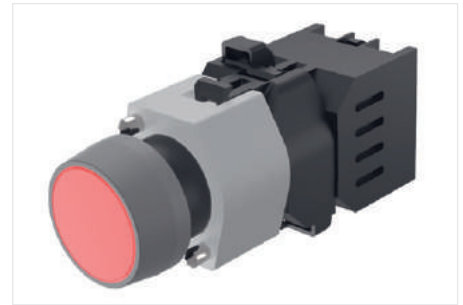
To obtain a complete unit, please select the red components from the pages shown.



Dimensions [mm]
A = Screw terminal



Mounting cut-outs [mm]
A = Screw terminal
B = Push-in terminal (PIT)



Product can differ from the current configuration.

General information

- The lamp block will be delivered with screw terminal

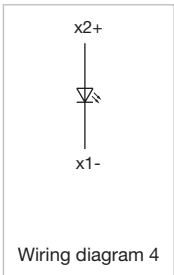


Actuator, Front dimension Ø 29 mm

Housing colour	Housing material	Lens colour	Front bezel colour	Front bezel material	Marking plate colour	Marking plate optics	Part No.	Wiring diagram
Grey	Plastic	Red	Grey	Plastic	White	translucent	704.002.2	4
	Plastic	Yellow	Grey	Plastic	White	translucent	704.002.4	4
	Plastic	Green	Grey	Plastic	White	translucent	704.002.5	4
	Plastic	Blue	Grey	Plastic	White	translucent	704.002.6	4
	Plastic	Colourless	Grey	Plastic	White	translucent	704.002.7	4
	Plastic	Red	Grey	Plastic	Colourless	transparent	704.003.2	4
	Plastic	Yellow	Grey	Plastic	Colourless	transparent	704.003.4	4
	Plastic	Green	Grey	Plastic	Colourless	transparent	704.003.5	4
	Plastic	Blue	Grey	Plastic	Colourless	transparent	704.003.6	4
	Plastic	Colourless	Grey	Plastic	Colourless	transparent	704.003.7	4
	Plastic	Red	Black	Plastic	White	translucent	704.006.2	4
	Plastic	Yellow	Black	Plastic	White	translucent	704.006.4	4
	Plastic	Green	Black	Plastic	White	translucent	704.006.5	4
	Plastic	Blue	Black	Plastic	White	translucent	704.006.6	4
	Plastic	Colourless	Black	Plastic	White	translucent	704.006.7	4


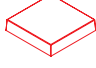




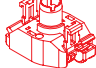

04 Raised design

Wiring diagrams



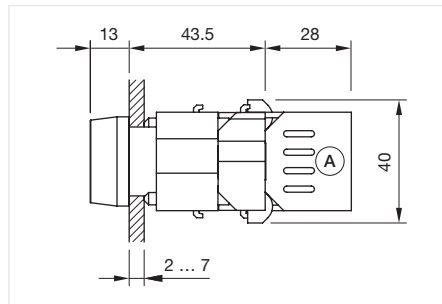
Flasher front illumination, square, IP65

Equipment consisting of (schematic overview)

	Front bezel	Page 202
	Lens	Page 199
	Lens holder	Page 201
	Actuator	
	Bayonet flange	Page 203
	LED	Page 204
	Lamp block	Page 210
	Flasher element	Page 235

Each Part Number listed below includes all the black components shown in the 3D-drawing.

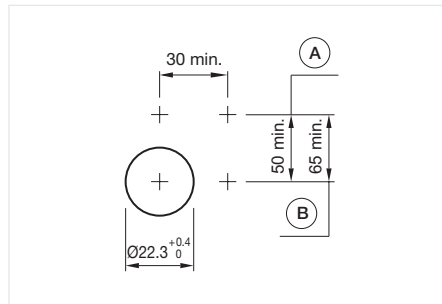
To obtain a complete unit, please select the red components from the pages shown.



Dimensions [mm]
A = Screw terminal



Product can differ from the current configuration.



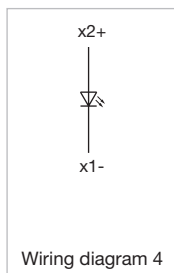
Mounting cut-outs [mm]
A = Screw terminal
B = Push-in terminal (PIT)



Actuator, Front dimension 30 mm x 30 mm

Housing colour	Housing material	Part No.	Wiring diagram
Black	Plastic	704.733.0	4
Grey	Plastic	704.733.1	4

Wiring diagrams

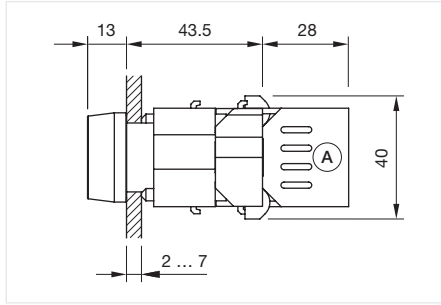


04 Raised design

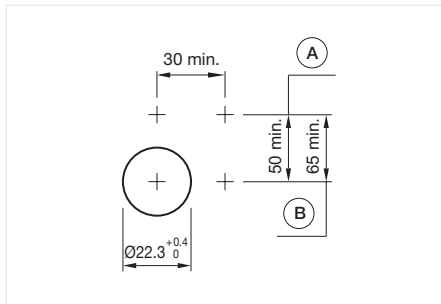
Flasher front illumination, round, IP65



Product can differ from the current configuration.



Dimensions [mm]
A = Screw terminal



Mounting cut-outs [mm]
A = Screw terminal
B = Push-in terminal (PIT)

Equipment consisting of (schematic overview)

	Front bezel	Page 202
	Lens	Page 199
	Marking Plate	Page 201
	Actuator	
	Bayonet flange	Page 203
	LED	Page 204
	Lamp block	Page 210
	Flasher element	Page 235

Each Part Number listed below includes all the black components shown in the 3D-drawing.

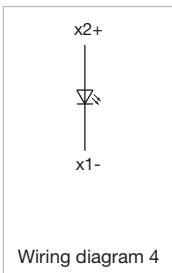
To obtain a complete unit, please select the red components from the pages shown.



Actuator, Front dimension Ø 29 mm

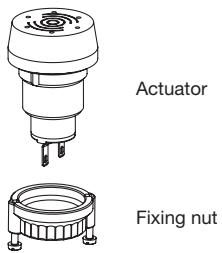
Housing colour	Housing material	Part No.	Wiring diagram
Grey	Plastic	704.633.1	4

Wiring diagrams

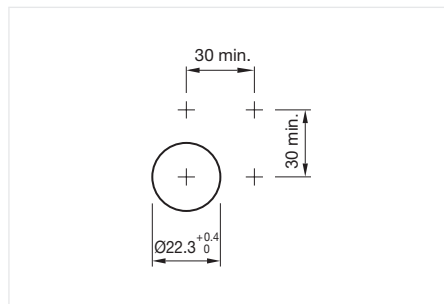
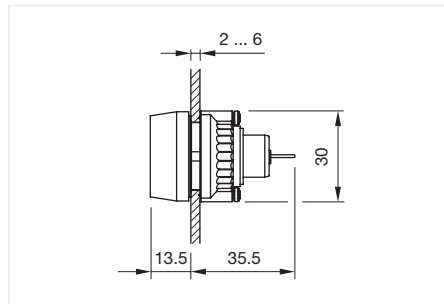


Buzzer, IP65

Equipment consisting of (schematic overview)



Each Part Number listed below includes all the black components shown in the 3D-drawing.



General information

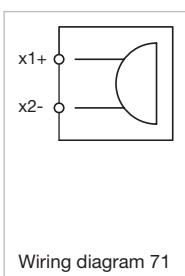
- Further information see Technical data
- The colour of anodised aluminium parts can vary due to technical production reasons



Actuator, Front dimension \varnothing 29 mm

Terminal	Operating voltage	Front cap colour	Front cap material	Front cap surface	Part No.	Wiring diagram
Plug-in terminal	24 V DC	Black	Plastic		14-810.002	71
	24 V DC	Nature	Aluminium	anodised	14-810.902	71

Wiring diagrams

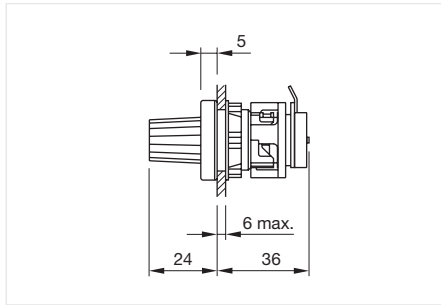


04 Raised design

Potentiometer, IP65



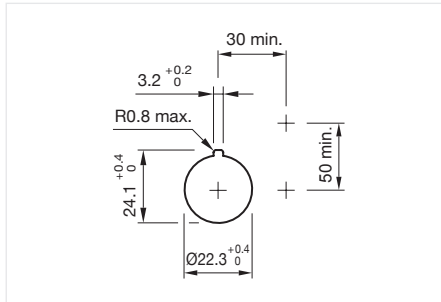
Product can differ from the current configuration.



Dimensions [mm]

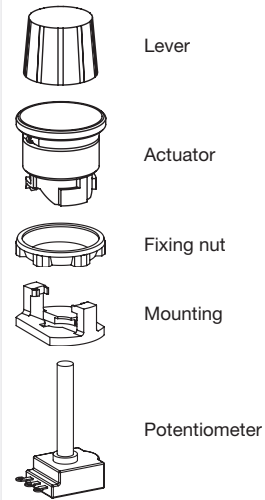
General information

- Resistor 10 kOhm / linear, series E3



Mounting cut-outs [mm]

Equipment consisting of (schematic overview)



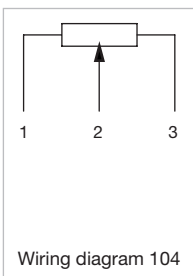
Each Part Number listed below includes all the black components shown in the 3D-drawing.



Actuator, Front dimension Ø 28 mm

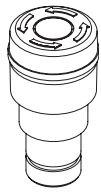
Housing material	Front bezel colour	Front bezel material	Front bezel surface	Resistance	Part No.	Wiring diagram
Plastic		Metal	matt chrome	10 kOhm	44-745.20-10K1	104
	Matt grey	Plastic		10 kOhm	44-745.60-10K1	104

Wiring diagrams

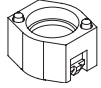


Stop switch Ø 37 mm, IP65

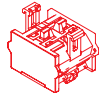
Equipment consisting of (schematic overview)



Actuator



Bayonet flange

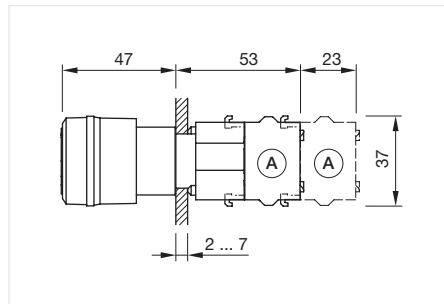


Switching element

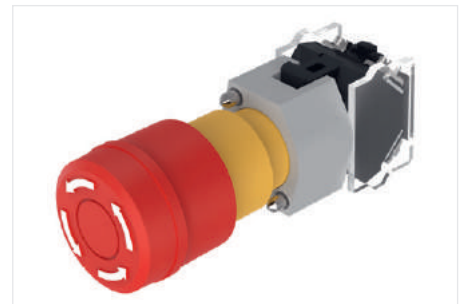
Page 213

Each Part Number listed below includes all the black components shown in the 3D-drawing.

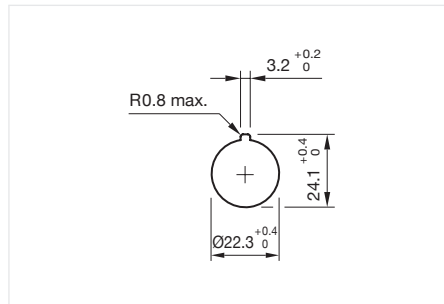
To obtain a complete unit, please select the red components from the pages shown.



Dimensions [mm]
A = Screw terminal



Product can differ from the current configuration.



Mounting cut-outs [mm]

General information

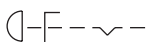
- Max. 2 switching elements can be clipped on



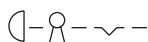
Actuator, Front dimension Ø 37 mm

Switching action	Housing colour	Housing material	Lens colour	Marking	Product attributes	Part No.	Wiring diagram
Maintained	Yellow	Plastic	Red	Arrows	Twist to unlock clockwise	704.064.2	363
	Yellow	Plastic	Red	Arrows	Key to unlock clockwise	704.066.2	364

Wiring diagrams



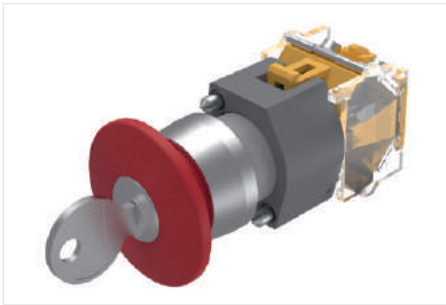
Wiring diagram 363



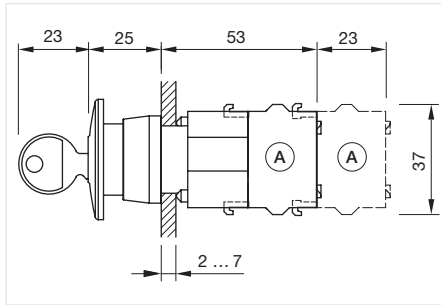
Wiring diagram 364

04 Raised design

Stop switch Ø 40 mm, IP65



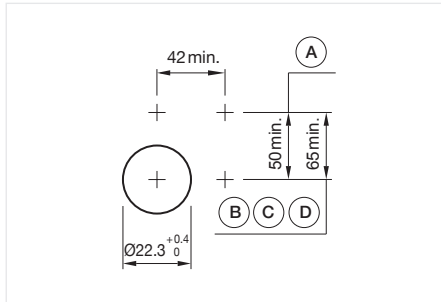
Product can differ from the current configuration.



Dimensions [mm]
A = Screw terminal

General information

- The standard lock Ronis 251
- The colour of anodised aluminium parts can vary due to technical production reasons

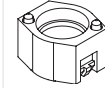


Mounting cut-outs [mm]
A = Screw terminal
B = Push-in terminal (PIT)
C = Plug-in terminal 6.3 mm x 0.8 mm
D = Double plug-in terminal 6.3 mm x 0.8 mm

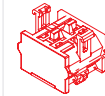
Equipment consisting of (schematic overview)



Actuator



Bayonet flange



Switching element

Page 213

Each Part Number listed below includes all the black components shown in the 3D-drawing.

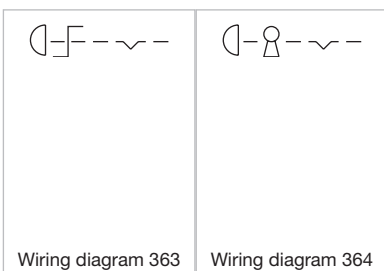
To obtain a complete unit, please select the red components from the pages shown.



Actuator, Front dimension Ø 40 mm

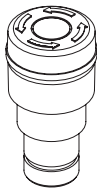
Switching action	Housing colour	Housing material	Lens colour	Marking	Product attributes	Front bezel colour	Front bezel material	Front bezel surface	Part No.	Wiring diagram
Maintained	Grey	Plastic	Red	Arrows	Twist to unlock clockwise	Grey	Plastic		704.074.2	363
	Grey	Plastic	Red	Stop	Twist to unlock clockwise	Grey	Plastic		704.074.3	363
	Grey	Plastic	Red	Arrows	Twist to unlock clockwise	Nature	Aluminium	anodised	704.075.2	363
	Grey	Plastic	Red	Stop	Twist to unlock clockwise	Nature	Aluminium	anodised	704.075.3	363
	Grey	Plastic	Red		Key to unlock clockwise	Grey	Plastic		704.076.0	364
	Grey	Plastic	Red		Key to unlock clockwise	Nature	Aluminium	anodised	704.078.0	364

Wiring diagrams



Emergency stop switch, foolproof EN IEC 60974-5-5, IP65

Equipment consisting of (schematic overview)



Actuator



Bayonet flange

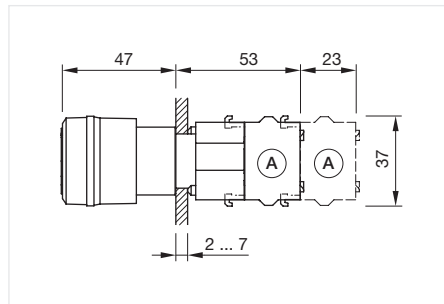


Switching element

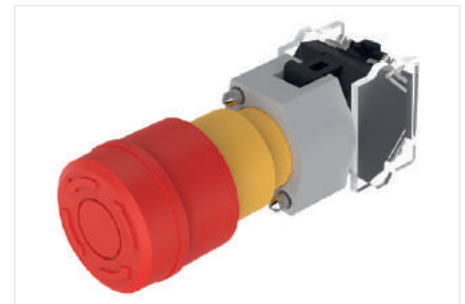
Page 223

Each Part Number listed below includes all the black components shown in the 3D-drawing.

To obtain a complete unit, please select the red components from the pages shown.



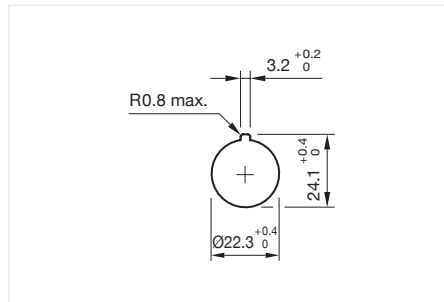
Dimensions [mm]
A = Screw terminal



Product can differ from the current configuration.

General information

- Max. 2 switching elements can be clipped on
- Shaft yellow



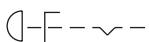
Mounting cut-outs [mm]



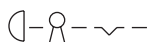
Actuator, Front dimension \varnothing 37 mm

Switching action	Housing colour	Housing material	Lens colour	Marking	Product attributes	Part No.	Wiring diagram
Maintained	Yellow	Plastic	Red	Arrows	Twist to unlock clockwise	704.064.2A	363
	Yellow	Plastic	Red	Arrows	Twist to unlock clockwise	704.066.2A	364

Wiring diagrams



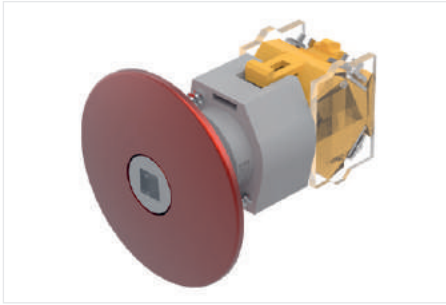
Wiring diagram 363



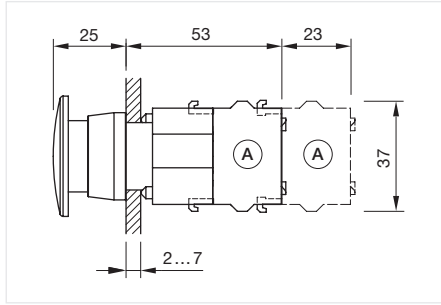
Wiring diagram 364

04 Raised design

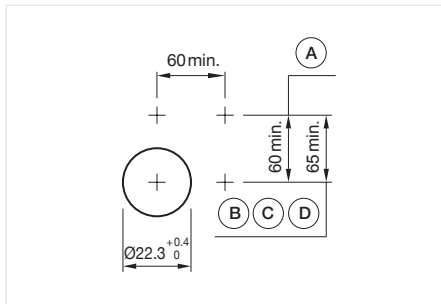
Emergency call switch, IP65



Product can differ from the current configuration.



Dimensions [mm]
A = Screw terminal



Mounting cut-outs [mm]
A = Screw terminal
B = Push-in terminal (PIT)
C = Plug-in terminal 6.3 mm x 0.8 mm
D = Double plug-in terminal 6.3 mm x 0.8 mm

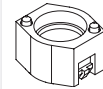
Equipment consisting of (schematic overview)



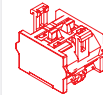
Mushroom-head cap



Actuator



Bayonet flange



Switching element

Page 213

Each Part Number listed below includes all the black components shown in the 3D-drawing.

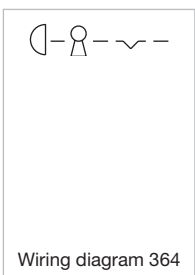
To obtain a complete unit, please select the red components from the pages shown.



Actuator, Front dimension Ø 60 mm

Switching action	Lens colour	Lens material	Housing colour	Housing material	Part No.	Wiring diagram
Maintained	Red	Plastic	Grey	Plastic	704.077.2D	364

Wiring diagrams





Lens plastic raised

Lens material	Lens colour	Lens optics	Lens shape	Lens illumination	Dimensions	Part No.
Plastic	Red	transparent	flush	illuminative	Ø 23,7 mm	704.611.2
	Yellow	transparent	flush	illuminative	Ø 23,7 mm	704.611.4
	Green	transparent	flush	illuminative	Ø 23,7 mm	704.611.5
	Blue	transparent	flush	illuminative	Ø 23,7 mm	704.611.6
	Colourless	transparent	flush	illuminative	Ø 23,7 mm	704.611.7

Additional information

- To obtain IP67, use marking plate Part Nr. 704.610.X



Lens plastic square

Lens material	Lens colour	Lens optics	Lens shape	Lens illumination	Dimensions	Part No.
Plastic	Black	opaque	flush	non illuminative	24,4 mm x 24,4 mm	704.702.0
	White	opaque	flush	non illuminative	24,4 mm x 24,4 mm	704.702.9
	Red	transparent	flush	illuminative	24,4 mm x 24,4 mm	704.702.2
	Yellow	transparent	flush	illuminative	24,4 mm x 24,4 mm	704.702.4
	Green	transparent	flush	illuminative	24,4 mm x 24,4 mm	704.702.5
	Blue	transparent	flush	illuminative	24,4 mm x 24,4 mm	704.702.6
	Colourless	transparent	flush	illuminative	24,4 mm x 24,4 mm	704.702.7



Lens metal round spot round

Lens material	Lens colour	Lens optics	Lens shape	Lens illumination	Dimensions	Part No.
Aluminium	Black	opaque	flush	illuminative	Ø 23,7 mm	704.601.01
	Red	opaque	flush	illuminative	Ø 23,7 mm	704.601.21
	Gold	opaque	flush	illuminative	Ø 23,7 mm	704.601.41
	Olive green	opaque	flush	illuminative	Ø 23,7 mm	704.601.51
	Blue	opaque	flush	illuminative	Ø 23,7 mm	704.601.61
	Nature	opaque	flush	illuminative	Ø 23,7 mm	704.601.81
Stainless steel	Nature	opaque	flush	illuminative	Ø 23,7 mm	704.601.91
	Nature	opaque	flush	illuminative	Ø 23,7 mm	704.601.101

Additional information

- The colour of anodised aluminium parts can vary due to technical production reasons
- To obtain IP65, it is necessary to use marking plate Part No.. 704.609.X

04 Components



Lens metal round

Lens material	Lens colour	Lens optics	Lens shape	Lens illumination	Dimensions	Part No.
Aluminium	Black	opaque	flush	non illuminative	Ø 23,7 mm	704.601.0
	Red	opaque	flush	non illuminative	Ø 23,7 mm	704.601.2
	Gold	opaque	flush	non illuminative	Ø 23,7 mm	704.601.4
	Olive green	opaque	flush	non illuminative	Ø 23,7 mm	704.601.5
	Blue	opaque	flush	non illuminative	Ø 23,7 mm	704.601.6
	Nature	opaque	flush	non illuminative	Ø 23,7 mm	704.601.8
Stainless steel	Nature	opaque	flush	non illuminative	Ø 23,7 mm	704.601.9
	Nature	opaque	flush	non illuminative	Ø 23,7 mm	704.601.10

Additional information

- The colour of anodised aluminium parts can vary due to technical production reasons
- To obtain IP65, it is necessary to use marking plate Part No.. 704.609.X



Lens plastic round

Lens material	Lens colour	Lens optics	Lens shape	Lens illumination	Symbol	Dimensions	Part No.
Plastic	Black	opaque	flush	non illuminative		Ø 23.7 mm	704.602.0
	Red	transparent	flush	illuminative		Ø 23,7 mm	704.602.2
	Yellow	transparent	flush	illuminative		Ø 23,7 mm	704.602.4
	Green	transparent	flush	illuminative		Ø 23,7 mm	704.602.5
	Blue	transparent	flush	illuminative		Ø 23,7 mm	704.602.6
	Colourless	transparent	flush	illuminative		Ø 23,7 mm	704.602.7
	Silver	transparent	flush	illuminative	Ring	Ø 23,7 mm	704.602.7A01

Additional information

- To obtain IP67, use marking plate Part No. 704.609.9
- To obtain IP67 use marking plate Part No. 704.609.9A01 (ring illumination)



Lens cap round for full face indicator

Lens cap material	Lens cap colour	Lens cap optical effect	Diameter	Part No.
Plastic	Red	transparent	29 mm	704.603.2
	Yellow	transparent	29 mm	704.603.4
	Green	transparent	29 mm	704.603.5
	Blue	transparent	29 mm	704.603.6
	Colourless	transparent	29 mm	704.603.7

Additional information

- To obtain IP67, use marking plate Part Nr. 704.608.X



Lens holder

Marking plate material	Marking plate colour	Marking plate illumination	Part No.
Plastic	Colourless	illuminative	704.709.7
	White	illuminative	704.709.9

Additional information

- For square lens



Marking cap for lens cap round

Marking cap material	Marking cap colour	Marking cap optics	Dimensions	Marking cap surface	Part No.
Plastic	Colourless	transparent	Ø 29 mm	ribbed	704.608.7
	White	translucent	Ø 29 mm		704.608.9



Marking cap round raised profile

Marking cap material	Marking cap colour	Marking cap optics	Dimensions	Marking cap surface	Part No.
Plastic	Colourless	transparent	Ø 29 mm	ribbed	704.610.7
	White	translucent	Ø 29 mm		704.610.9



Marking cap round flat

Marking plate material	Marking plate colour	Marking plate optics	Marking plate illumination	Part No.
Plastic	Black	opaque	non illuminative	704.609.0
	Colourless	transparent	illuminative	704.609.7
	White	translucent	illuminative	704.609.9
	White	translucent	ring illumination	704.609.9A01



Diffusor cap

Product attributes	Diffusor cap colour	Diffusor cap optics	Diffusor cap illumination	Part No.
Can be marked	Colourless	transparent	illuminative	704.708.7
	White	translucent	illuminative	704.708.9

04 Components



Front bezel round, raised design

Front bezel material	Front bezel colour	Front bezel surface	Dimensions	Part No.
Plastic	Black		Ø 29 mm	704.600.0
	Grey		Ø 29 mm	704.600.6
	Grey		Ø 29 mm x 16 mm	704.600.7
Aluminium	Nature	anodised	Ø 29 mm	704.600.1
	Black	anodised	Ø 29 mm	704.600.1A
Stainless steel	Nature		Ø 29 mm	704.600.9

Additional information

- The colour of anodised aluminium parts can vary due to technical production reasons



Front bezel square, raised design

Front bezel material	Front bezel colour	Front bezel surface	Dimensions	Part No.
Plastic	Black		30 mm x 30 mm	704.701.0
	Chrome coloured	chrome plated	30 mm x 30 mm	704.701.4
	Grey		30 mm x 30 mm	704.701.6



Front bezel set flush design

Front bezel material	Front bezel colour	Front bezel surface	Dimensions	Part No.
Aluminium	Black	anodised	Ø 35 mm	704.955.0
	Nature	anodised	Ø 35 mm	704.955.1
Stainless steel 304	Nature		Ø 35 mm	704.955.9
Stainless steel 316	Nature		Ø 35 mm	704.955.10

Additional information

- The colour of anodised aluminium parts can vary due to technical production reasons



Front bezel set protective membrane

Product attributes	Front bezel material	Front bezel colour	Front bezel surface	Dimensions	Part No.
With transparent silicone membrane	Aluminium	Nature	anodised	Ø 35 mm	704.955.3
	Aluminium	Black	anodised	Ø 35 mm	704.955.4
With transparent silicone membrane, resistant to sea water	Stainless steel	Nature		Ø 35 mm	704.955.9E

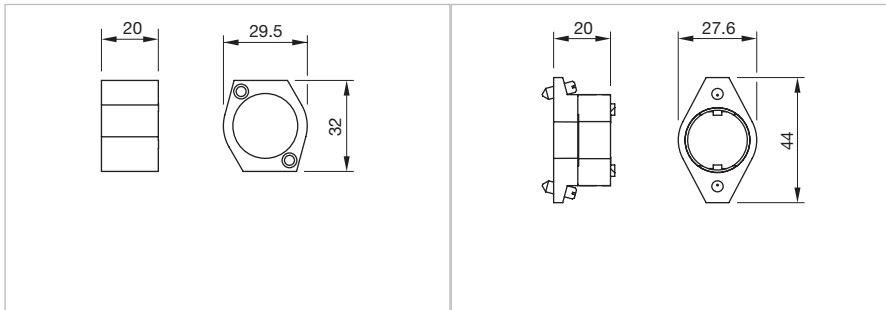
Additional information

- The colour of anodised aluminium parts can vary due to technical production reasons



Bayonet flange

Material	Part No.
plastic	704.950.5
metal	704.960.5



Dimensions [mm]
for Part No. 704.950.5

Dimensions [mm]
for Part No. 704.960.5

- 01
- 02
- 03
- 04**
- 09
- 14
- 17
- 18
- 19
- 22
- 31
- 41
- 45
- 51
- 56
- 57
- 61
- 70
- 71
- 82
- 84
- 92
- 96

Green Touch.

Offering sustainability.

EAO creates possibilities. Since 1947.

As a successful company with production sites around the world, EAO is actively committed to the effective implementation of a sustainable environmental policy.

We act responsibly. In our environmental focus, we set benchmarks for ourselves, our products and our customers. Throughout our entire value chain, we think and work in a way that is resource-efficient and environmentally-friendly. When selecting our components and raw materials, we ensure that we have partnerships in place with certified manufacturers and that we adhere to EC guidelines on hazardous materials (RoHS).

www.eao.com

Your Expert Partner for Human Machine Interfaces

04 Components

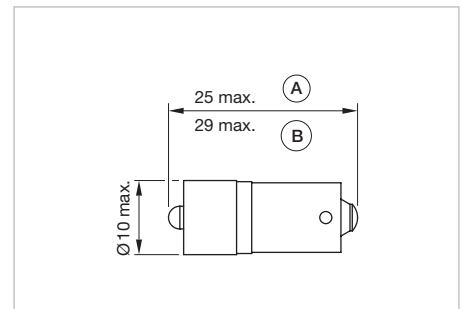


Single-LED, BA9s

Illumination colour	Operating voltage	Operation current	Lumi. Intensity	Dom. Wavelength	Part No.	Wiring diagram
Red	6 V AC/DC +10%	17 mA ±15 %	400 mcd	630 nm	10-2506.1082	70
	12 V AC/DC +10%	16 mA ±15 %	390 mcd	630 nm	10-2509.1142	70
	24 V AC/DC +10%	15 mA ±15 %	350 mcd	630 nm	10-2512.1142	70
	28 V AC/DC +10%	13 mA ±15 %	300 mcd	630 nm	10-2513.1142	70
	48 V AC/DC +10%	8 mA ±15 %	200 mcd	630 nm	10-2519.1052	70
	130 V AC/DC +10%	3 mA ±15 %	120 mcd	630 nm	10-2524.3042	70
	130 V AC/DC +10%	5 mA ±15 %	180 mcd	630 nm	10-2H24.2052	70
	230 V AC/DC +10%	3 mA ±15 %	120 mcd	630 nm	10-2H25.2042	70
Yellow	6 V AC/DC +10%	17 mA ±15 %	340 mcd	587 nm	10-2506.1084	70
	12 V AC/DC +10%	16 mA ±15 %	340 mcd	587 nm	10-2509.1144	70
	24 V AC/DC +10%	15 mA ±15 %	300 mcd	587 nm	10-2512.1144	70
	28 V AC/DC +10%	13 mA ±15 %	270 mcd	587 nm	10-2513.1144	70
	48 V AC/DC +10%	8 mA ±15 %	180 mcd	587 nm	10-2519.1054	70
	130 V AC/DC +10%	3 mA ±15 %	110 mcd	587 nm	10-2524.3044	70
	130 V AC/DC +10%	5 mA ±15 %	160 mcd	587 nm	10-2H24.2054	70
	230 V AC/DC +10%	3 mA ±15 %	110 mcd	587 nm	10-2H25.2044	70
Green	6 V AC/DC +10%	7 mA ±15 %	1050 mcd	525 nm	10-2506.1085	70
	12 V AC/DC +10%	7 mA ±15 %	1050 mcd	525 nm	10-2509.1145	70
	24 V AC/DC +10%	7 mA ±15 %	1050 mcd	525 nm	10-2512.1145	70
	28 V AC/DC +10%	7 mA ±15 %	1050 mcd	525 nm	10-2513.1145	70
	48 V AC/DC +10%	4 mA ±15 %	600 mcd	525 nm	10-2519.1055	70
	130 V AC/DC +10%	2 mA ±15 %	300 mcd	525 nm	10-2524.3045	70
	130 V AC/DC +10%	3 mA ±15 %	450 mcd	525 nm	10-2H24.2055	70
	230 V AC/DC +10%	2 mA ±15 %	300 mcd	525 nm	10-2H25.2045	70
Blue	6 V AC/DC +10%	17 mA ±15 %	780 mcd	470 nm	10-2506.1086	70
	12 V AC/DC +10%	16 mA ±15 %	720 mcd	470 nm	10-2509.1146	70
	24 V AC/DC +10%	15 mA ±15 %	680 mcd	470 nm	10-2512.1146	70
	28 V AC/DC +10%	13 mA ±15 %	590 mcd	470 nm	10-2513.1146	70
	48 V AC/DC +10%	8 mA ±15 %	400 mcd	470 nm	10-2519.1056	70
	130 V AC/DC +10%	3 mA ±15 %	200 mcd	470 nm	10-2524.3046	70
	130 V AC/DC +10%	5 mA ±15 %	230 mcd	470 nm	10-2H24.2056	70
	230 V AC/DC +10%	3 mA ±15 %	200 mcd	470 nm	10-2H25.2046	70
White	6 V AC/DC +10%	5 mA ±15 %	750 mcd	x: 0.31 / y: 0.32 nm	10-2506.1089	70
	12 V AC/DC +10%	8 mA ±15 %	1200 mcd	x: 0.31 / y: 0.32 nm	10-2509.1149	70
	24 V AC/DC +10%	7 mA ±15 %	1050 mcd	x: 0.31 / y: 0.32 nm	10-2512.1149	70
	28 V AC/DC +10%	5 mA ±15 %	750 mcd	x: 0.31 / y: 0.32 nm	10-2513.1149	70
	48 V AC/DC +10%	5 mA ±15 %	750 mcd	x: 0.31 / y: 0.32 nm	10-2519.1059	70
	130 V AC/DC +10%	1,5 mA ±15 %	225 mcd	x: 0.31 / y: 0.32 nm	10-2524.3049	70
	130 V AC/DC +10%	2 mA ±15 %	300 mcd	x: 0.31 / y: 0.32 nm	10-2H24.2059	70
	230 V AC/DC +10%	1,5 mA ±15 %	225 mcd	x: 0.31 / y: 0.32 nm	10-2H25.2049	70

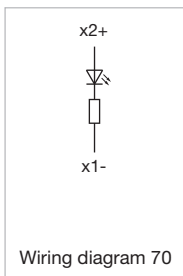
Additional information

- The specified 6 V DC, 24 V DC Bi-colour; 130 V AC, 130 V DC and 230 V AC versions are built with a protection diode
- The specified 12, 24, 28, 48 VAC/DC versions are built with a bridge rectifier
- The specified 130 VAC types are developed to run on a supply voltage of 130 VAC only
- An operation at a higher supply voltage using commercial lampholders with integrated resistors, is not approved
- If the 24VDC Bi-colour lamp is driven with normal polarity (plus on middle contact of the lamp) the first mentioned colour will light up, with inverted polarity the second colour will light up
- The luminous intensity stated is for when used with DC
- Electrical and optical data are measured at 25 °C
- Luminosity and wave length variations caused by LED manufacturing processes may cause slight differences regarding the illumination. The customer has to decide what resistor shall be used to the LED



Dimensions [mm]

Wiring diagrams

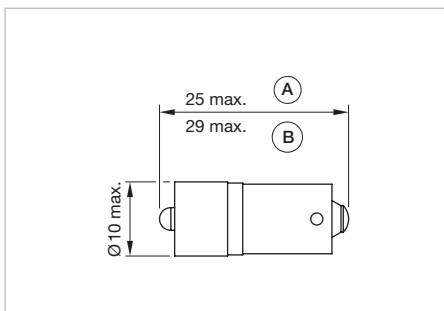


Single-LED super bright

Illumination colour	Operating voltage	Operation current	Lumi. Intensity	Dom. Wavelength	Part No.	Wiring diagram
Red	28 V AC/DC +10%	14 mA \pm 15 %	7700 mcd	630 nm	10-2413.1132R	70
Green	28 V AC/DC +10%	13 mA \pm 15 %	12400 mcd	525 nm	10-2413.1125R	70
Yellow	28 V AC/DC +10%	14 mA \pm 15 %	4200 mcd	589 nm	10-2413.1134R	70

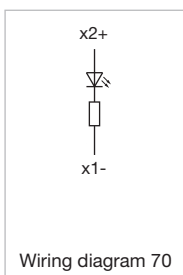
Additional information

- The specified 12, 24, 28, 48 VAC/DC versions are built with a bridge rectifier
- Electrical and optical data are measured at 25 °C
- Luminosity and wave length variations caused by LED manufacturing processes may cause slight differences regarding the illumination. The customer has to decide what resistor shall be used to the LED



Dimensions [mm]
 A = (standard)
 B = (super bright)

Wiring diagrams



04 Components

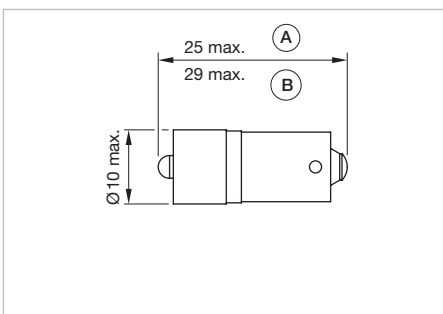


Single-LED with integrated Zener diode, BA9s

Illumination colour	Operating voltage	Operation current	Lumi. Intensity	Dom. Wavelength	Part No.	Wiring diagram
Red	24 - 30 V AC/DC +10%	13 - 19 mA \pm 15 %	300 - 440 mcd	630 nm	10-2H13.3162Q	367
Green	24 - 30 V AC/DC +10%	12 - 18 mA \pm 15 %	1800 - 2700 mcd	525 nm	10-2H13.3165Q	367
Yellow	24 - 30 V AC/DC +10%	13 - 19 mA \pm 15 %	270 - 380 mcd	589 nm	10-2H13.3164Q	367
Blue	24 - 30 V AC/DC +10%	12 - 18 mA \pm 15 %	560 - 800 mcd	589 nm	10-2H13.3166Q	367
White	24 - 30 V AC/DC +10%	7 - 11 mA \pm 15 %	600 - 900 mcd	589 nm	10-2H13.3169Q	367

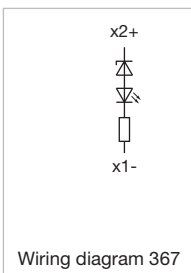
Additional information

- Luminosity and wave length variations caused by LED manufacturing processes may cause slight differences regarding the illumination. The customer has to decide what resistor shall be used to the LED
- Electrical and optical data are measured at 25 °C
- The specified 12, 24, 28, 48 VAC/DC versions are built with a bridge rectifier



Dimensions [mm]
 A = (standard)
 B = (super bright)

Wiring diagrams



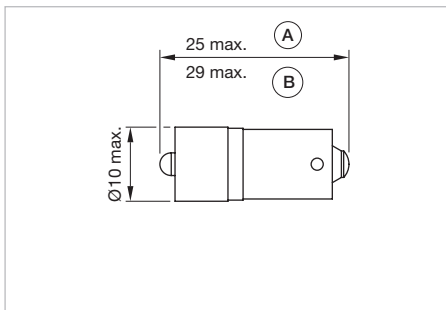


Bi-colour LED, BA9s

Illumination colour	Operating voltage	Operation current	Lumi. Intensity	Dom. Wavelength	Product attributes	Part No.	Wiring diagram
Red / Green	24 V AC/DC +10%	15 mA ±15 %	1200/900 mcd	625 / 525 nm	X2: + = Red / X1: + = Green	10-2H12.314A	171
Red / Yellow	24 V AC/DC +10%	15 mA ±15 %	1200/550 mcd	625 / 589 nm	X2: + = Red / X1: + = Yellow	10-2H12.314B	171
Green / Yellow	24 V AC/DC +10%	15 mA ±15 %	900/550 mcd	525 / 589 nm	X2: + = Yellow / X1: + = Green	10-2H12.314C	171

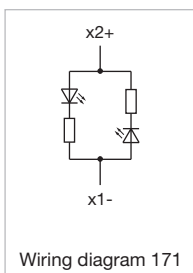
Additional information

- The max. overall length of the lamp may not exceed 25mm
- Electrical and optical data are measured at 25 °C
- The specified 6 V DC, 24 V DC Bi-colour; 130 V AC, 130 V DC and 230 V AC versions are built with a protection diode
- Luminosity and wave length variations caused by LED manufacturing processes may cause slight differences regarding the illumination. The customer has to decide what resistor shall be used to the LED



Dimensions [mm]
 A = (standard)
 B = (super bright)

Wiring diagrams



04 Components

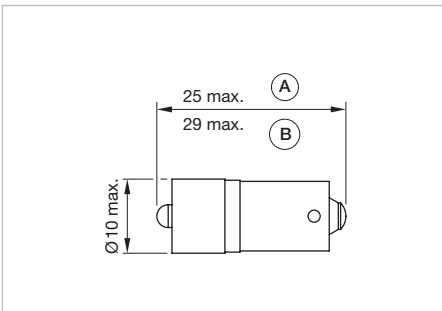


Single-LED, BA9s, EN 50155, Fail Safe

Illumination colour	Operating voltage	Operation current	Lumi. Intensity	Dom. Wavelength	Part No.	Wiring diagram
Red	72 V AC/DC	2,2 mA -30%/+25%	4 x 128 mcd	625 nm	10-4H21.1032P	368
	110 V AC/DC	2 mA -30%/+25%	4 x 128 mcd	625 nm	10-4H22.1032P	368
Yellow	72 V AC/DC	2,2 mA -30%/+25%	4 x 112 mcd	589 nm	10-4H21.1034P	368
	110 V AC/DC	2 mA -30%/+25%	4 x 128 mcd	589 nm	10-4H22.1034P	368
Green	72 V AC/DC	2,2 mA -30%/+25%	4 x 478 mcd	525 nm	10-4H21.1035P	368
	110 V AC/DC	2 mA -30%/+25%	4 x 510 mcd	525 nm	10-4H22.1035P	368
Blue	72 V AC/DC	2,2 mA -30%/+25%	4 x 90 mcd	465 nm	10-4H21.1036P	368
	110 V AC/DC	2 mA -30%/+25%	4 x 86 mcd	465 nm	10-4H22.1036P	368
White	72 V AC/DC	2,2 mA -30%/+25%	4 x 382 mcd		10-4H21.1039P	368
	110 V AC/DC	2 mA -30%/+25%	4 x 446 mcd		10-4H22.1039P	368

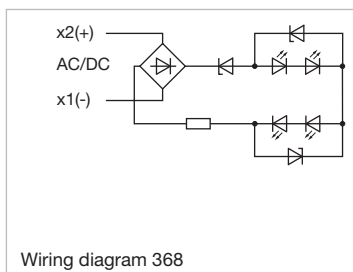
Additional information

- A suitable LED remover Part No. 700.006.0
- The luminous intensity stated is for when used with DC
- Electrical and optical data are measured at 25 °C
- The specified 72 and 110 VAC/VDC versions are built with a bridge rectifier
- The specified 72 and 110 VAC/VDC versions are built with a protection diode
- In case one LED fails, the other pair of still functioning LED>s is working. The light output then is half in order to indicate the malfunction and shows this way the need for replacement
- Luminosity and wave length variations caused by LED manufacturing processes may cause slight differences regarding the illumination. The customer has to decide what resistor shall be used to the LED



Dimensions [mm]
 A = (standard)
 B = (super bright)

Wiring diagrams



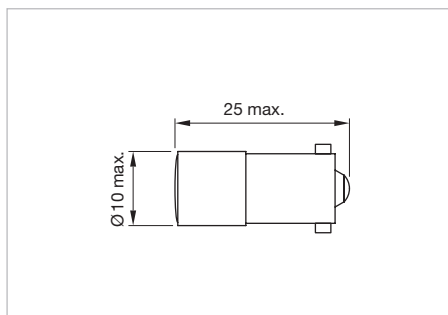


LED BA9s, EN 50155

Illumination colour	Operating voltage	Operation current	Lumi. Intensity	Part No.	Wiring diagram
White	24 V AC/DC	-30%/+25%	700 mcd	10-2412.1089P	369

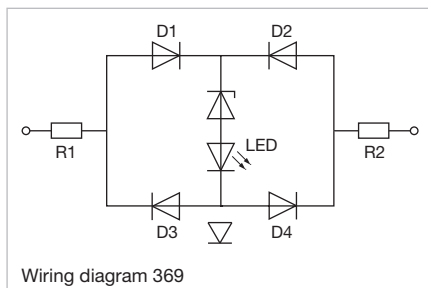
Additional information

- A suitable LED remover Part No. 700.006.0
- The luminous intensity stated is for when used with DC
- Electrical and optical data are measured at 25 °C
- The specified 24 VAC/VDC versions are built with a protection diode
- Specified 24 VAC/VDC versions are built with a bridge rectifier
- The new, white BA9s LED operates within a range of 16VDC to 34VDC. It conforms to the norms EN 50155 and IEEE 1476
- Luminosity and wave length variations caused by LED manufacturing processes may cause slight differences regarding the illumination. The customer has to decide what resistor shall be used to the LED



Dimensions [mm]

Wiring diagrams



Filament lamp

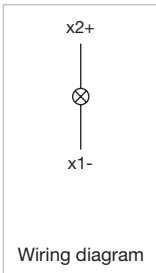
Operating voltage	Operation current	Part No.	Wiring diagram
24 V AC/DC	50 mA ±10 %	10-1412.1279	432
36 V AC/DC	56 mA ±10 %	10-1416.1289	432
60 V AC/DC	33 mA ±10 %	10-1420.1219	432
110 V AC/DC	22 mA ±10 %	10-1422.1179	432
130 V AC/DC	20 mA ±10 %	10-1424.1179	432

Additional information

- The max. overall length of the lamp may not exceed 28 mm

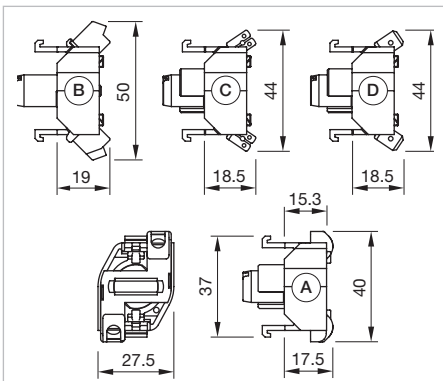
04 Components

Wiring diagrams

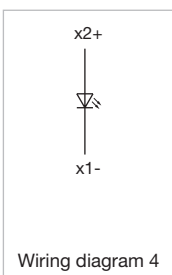


Lamp block for selector switch and illuminated pushbutton, 2 positions

Product attributes	Terminal kind of	Part No.	Wiring diagram
	Screw terminal	704.950.0	4
	Plug-in terminal	704.950.1	4
Terminals nickel plated and blank Cu/Sn	Double plug-in terminal	704.950.1/D	4
	Push-in Terminal	704.950.3	4
Terminals nickel plated Cu/Sn	Double plug-in terminal	704.950.2/D	4
For ring cable shoe	Screw terminal	704.950.0B	4



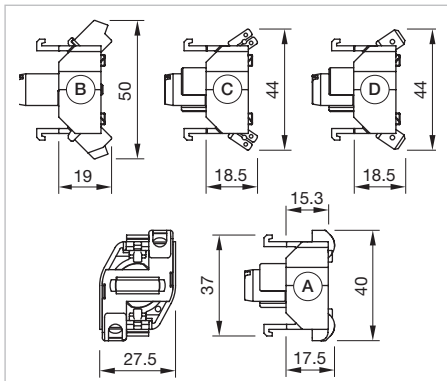
Wiring diagrams





Lamp block for selector switch 3 positions

Product attributes	Terminal kind of	Part No.	Wiring diagram
	Screw terminal	704.951.0	4
	Plug-in terminal	704.951.1	4
Terminals nickel plated and blank Cu/Sn	Double plug-in terminal	704.951.1/D	4
	Push-in Terminal	704.951.3	4



Dimensions [mm]

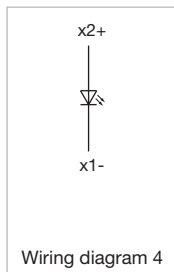
A = Screw terminal

B = Push-in terminal (PIT)

C = Plug-in terminal 6.3 mm x 0.8 mm

D = Double plug-in terminal 6.3 mm x 0.8 mm

Wiring diagrams



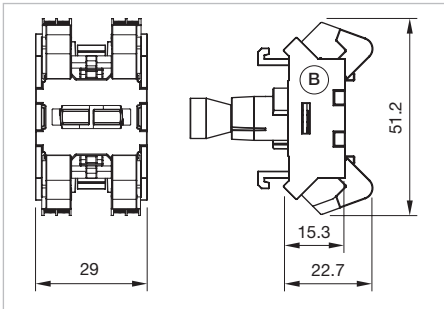
- 01
- 02
- 03
- 04**
- 09
- 14
- 17
- 18
- 19
- 22
- 31
- 41
- 45
- 51
- 56
- 57
- 61
- 70
- 71
- 82
- 84
- 92
- 96

04 Components



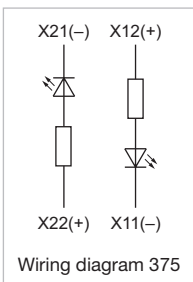
Dual lamp block

Operating voltage	Terminal kind of	Part No.	Wiring diagram	Component Layout
24 V AC/DC	Push-in Terminal	704.952.129.3	375	104
110 V AC/DC	Push-in Terminal	704.952.159.3	375	104

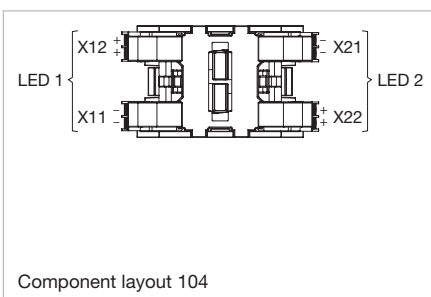


Dimensions [mm]
B = Push-in terminal (PIT)

Wiring diagrams



Component layouts





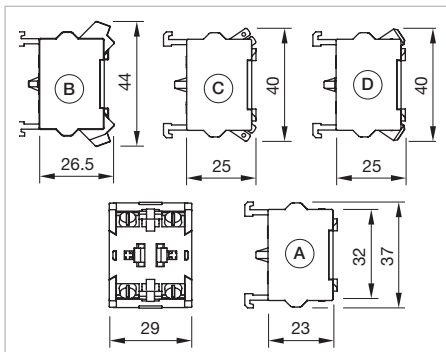
Snap-action switching element with push-in terminal

Switching voltage	Switching current	Contacts	Contact material	Part No.	Wiring diagram
250 V	6 A	1 NO	Gold-plated silver	704.907.1	376
	6 A	1 NC	Gold-plated silver	704.907.2	377
	6 A	2 NO	Gold-plated silver	704.907.3	378
	6 A	2 NC	Gold-plated silver	704.907.4	379
	6 A	1 NC / 1 NO	Gold-plated silver	704.907.5	380
	6 A	1 NO	Silver	704.908.1	376
	6 A	1 NC	Silver	704.908.2	377
	6 A	2 NO	Silver	704.908.3	378
	6 A	2 NC	Silver	704.908.4	379
	6 A	1 NC / 1 NO	Silver	704.908.5	380

Contacts: NC = Normally closed, NO = Normally open

Additional information

- For the third switching element the terminal marking insert is to be ordered separately



Dimensions [mm]

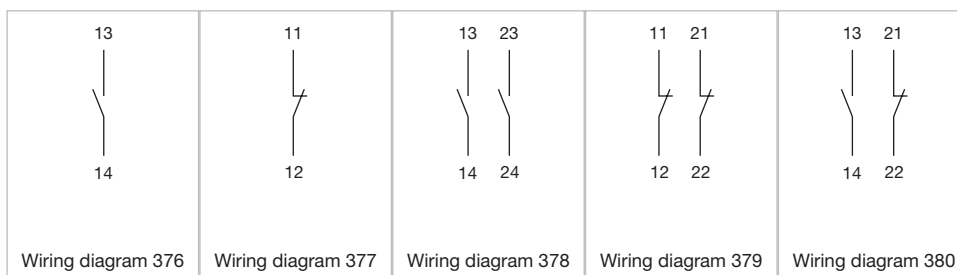
A = Screw terminal

B = Push-in terminal (PIT)

C = Plug-in terminal 6.3 mm x 0.8 mm

D = Double plug-in terminal 6.3 mm x 0.8 mm

Wiring diagrams



04 Components



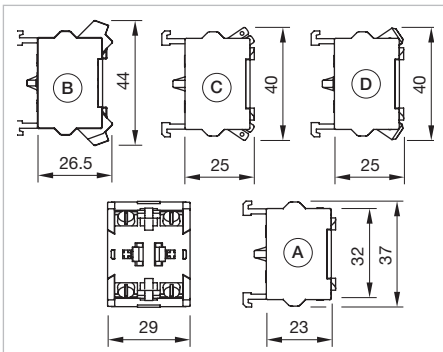
Slow-make switching element with push-in terminal

Switching voltage	Switching current	Contacts	Contact material	Part No.	Wiring diagram
250 V	6 A	1 NO	Gold-plated silver	704.917.1	376
	6 A	1 NC	Gold-plated silver	704.917.2	377
	6 A	2 NO	Gold-plated silver	704.917.3	378
	6 A	2 NC	Gold-plated silver	704.917.4	379
	6 A	1 NC / 1 NO	Gold-plated silver	704.917.5	380
	6 A	1 NO	Silver	704.918.1	376
	6 A	1 NC	Silver	704.918.2	377
	6 A	2 NO	Silver	704.918.3	378
	6 A	2 NC	Silver	704.918.4	379
	6 A	1 NC / 1 NO	Silver	704.918.5	380

Contacts: NC = Normally closed, NO = Normally open

Additional information

- For the third switching element the terminal marking insert is to be ordered separately



Dimensions [mm]

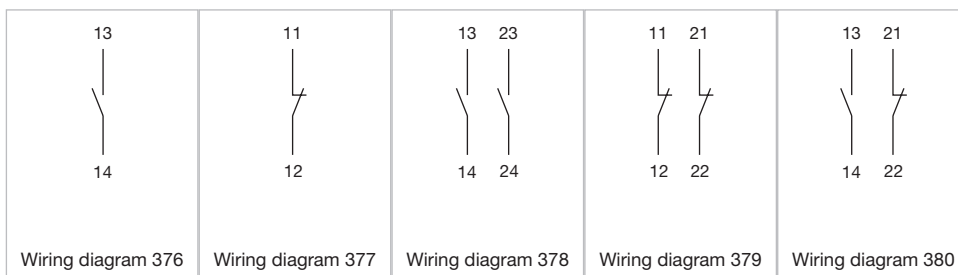
A = Screw terminal

B = Push-in terminal (PIT)

C = Plug-in terminal 6.3 mm x 0.8 mm

D = Double plug-in terminal 6.3 mm x 0.8 mm

Wiring diagrams





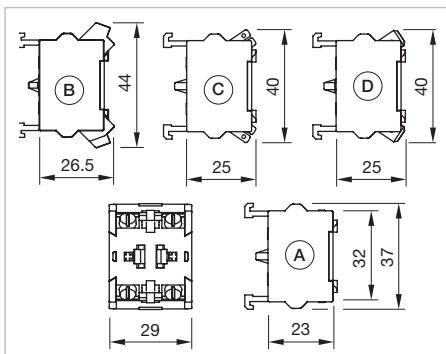
Snap-action switching element with plug-in terminal

Switching voltage	Switching current	Contacts	Contact material	Part No.	Wiring diagram
500 V	6 A	1 NO	Silver	704.905.1	376
	6 A	1 NC	Silver	704.905.2	377
	6 A	2 NO	Silver	704.905.3	378
	6 A	2 NC	Silver	704.905.4	379
	6 A	1 NC / 1 NO	Silver	704.905.5	380

Contacts: NC = Normally closed, NO = Normally open

Additional information

- For the third switching element the terminal marking insert is to be ordered separately



Dimensions [mm]

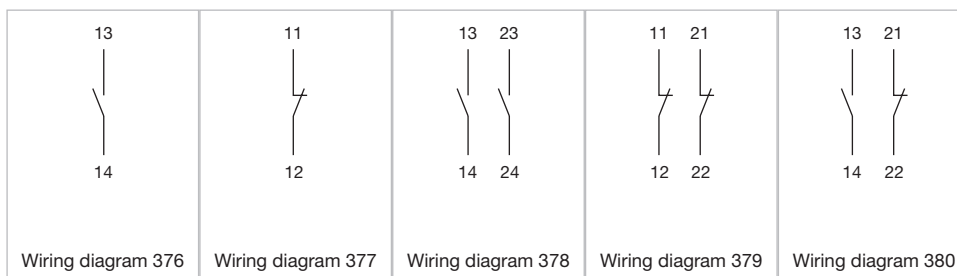
A = Screw terminal

B = Push-in terminal (PIT)

C = Plug-in terminal 6.3 mm x 0.8 mm

D = Double plug-in terminal 6.3 mm x 0.8 mm

Wiring diagrams



04 Components



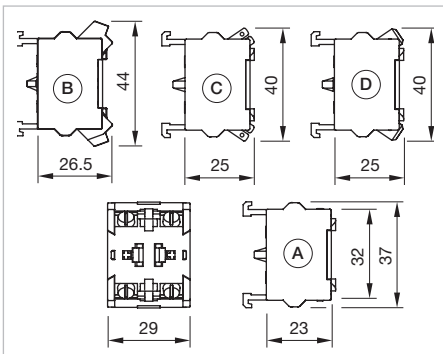
Slow-make switching element with plug-in terminal

Switching voltage	Switching current	Contacts	Contact material	Part No.	Wiring diagram
500 V	6 A	1 NO	Silver	704.915.1	376
	6 A	1 NC	Silver	704.915.2	377
	6 A	2 NO	Silver	704.915.3	378
	6 A	2 NC	Silver	704.915.4	379
	6 A	1 NC / 1 NO	Silver	704.915.5	380

Contacts: NC = Normally closed, NO = Normally open

Additional information

- For the third switching element the terminal marking insert is to be ordered separately



Dimensions [mm]

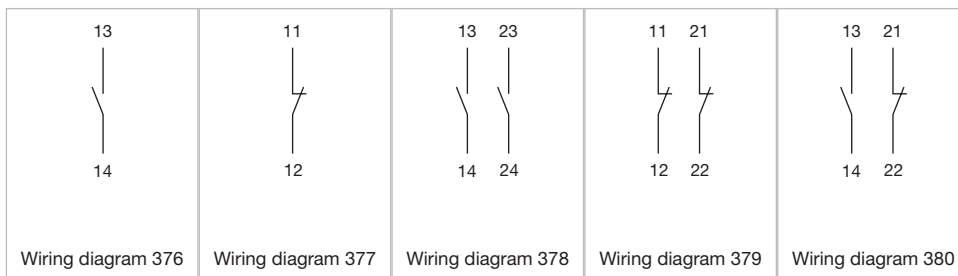
A = Screw terminal

B = Push-in terminal (PIT)

C = Plug-in terminal 6.3 mm x 0.8 mm

D = Double plug-in terminal 6.3 mm x 0.8 mm

Wiring diagrams





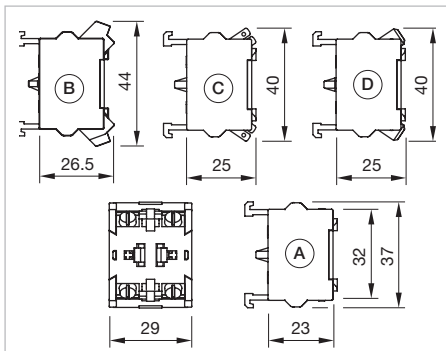
Snap-action switching element with double plug-in terminal

Switching voltage	Switching current	Contacts	Contact material	Part No.	Wiring diagram
500 V	6 A	1 NO	Gold-plated silver	704.901.1/D	376
	6 A	1 NC	Gold-plated silver	704.901.2/D	377
	6 A	2 NO	Gold-plated silver	704.901.3/D	378
	6 A	2 NC	Gold-plated silver	704.901.4/D	379
	6 A	1 NC / 1 NO	Gold-plated silver	704.901.5/D	380
	6 A	1 NO	Silver	704.905.1/D	376
	6 A	1 NC	Silver	704.905.2/D	377
500 V	6 A	2 NC	Silver	704.905.4/D	379
	6 A	1 NC / 1 NO	Silver	704.905.5/D	380

Contacts: NC = Normally closed, NO = Normally open

Additional information

- For the third switching element the terminal marking insert is to be ordered separately



Dimensions [mm]

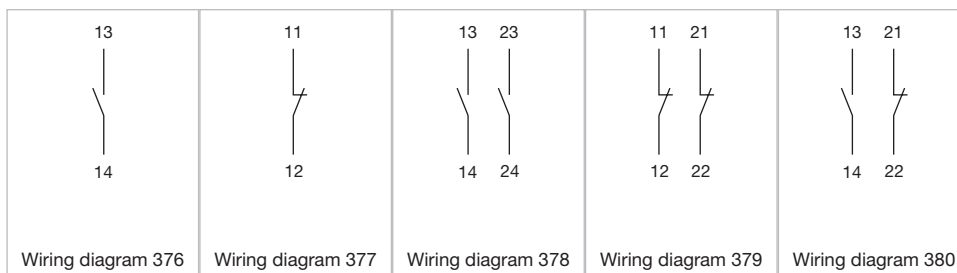
A = Screw terminal

B = Push-in terminal (PIT)

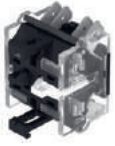
C = Plug-in terminal 6.3 mm x 0.8 mm

D = Double plug-in terminal 6.3 mm x 0.8 mm

Wiring diagrams



04 Components



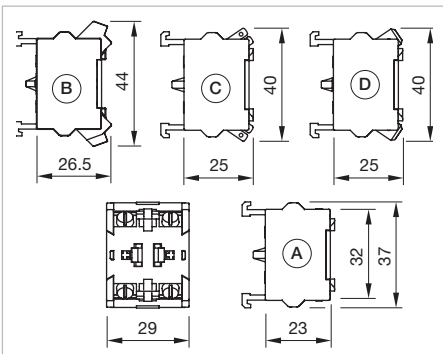
Slow-make switching element with double plug-in terminal

Switching voltage	Switching current	Contacts	Contact material	Part No.	Wiring diagram
500 V	6 A	1 NO	Silver	704.915.1/D	376
	6 A	1 NC	Silver	704.915.2/D	377
	6 A	2 NO	Silver	704.915.3/D	378
	6 A	2 NC	Silver	704.915.4/D	379
	6 A	1 NC / 1 NO	Silver	704.915.5/D	380

Contacts: NC = Normally closed, NO = Normally open

Additional information

- For the third switching element the terminal marking insert is to be ordered separately



Dimensions [mm]

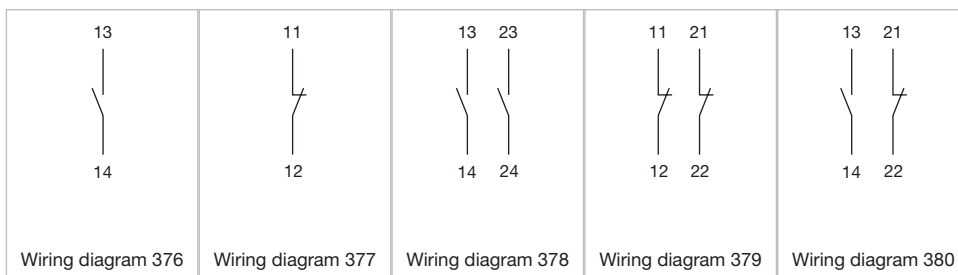
A = Screw terminal

B = Push-in terminal (PIT)

C = Plug-in terminal 6.3 mm x 0.8 mm

D = Double plug-in terminal 6.3 mm x 0.8 mm

Wiring diagrams





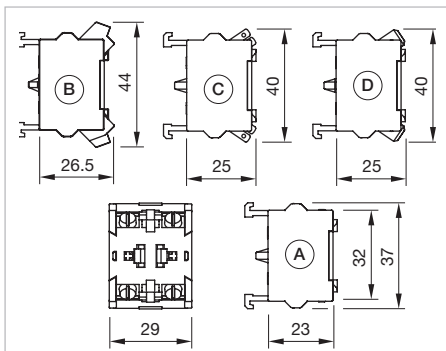
Snap-action switching element with screw terminal

Switching voltage	Switching current	Contacts	Contact material	Part No.	Wiring diagram
500 V	10 A	1 NO	Silver	704.900.1	376
	10 A	1 NC	Silver	704.900.2	377
	10 A	2 NO	Silver	704.900.3	378
	10 A	2 NC	Silver	704.900.4	379
	10 A	1 NC / 1 NO	Silver	704.900.5	380
	10 A	1 NO	Gold-plated silver	704.901.1	376
	10 A	1 NC	Gold-plated silver	704.901.2	377
	10 A	2 NO	Gold-plated silver	704.901.3	378
	10 A	2 NC	Gold-plated silver	704.901.4	379
	10 A	1 NC / 1 NO	Gold-plated silver	704.901.5	380
	10 A	1 NO	Palladium	704.902.1	376
	10 A	1 NC	Palladium	704.902.2	377
	10 A	2 NO	Palladium	704.902.3	378
	10 A	2 NC	Palladium	704.902.4	379
	10 A	1 NC / 1 NO	Palladium	704.902.5	380

Contacts: NC = Normally closed, NO = Normally open

Additional information

- For the third switching element the terminal marking insert is to be ordered separately



Dimensions [mm]

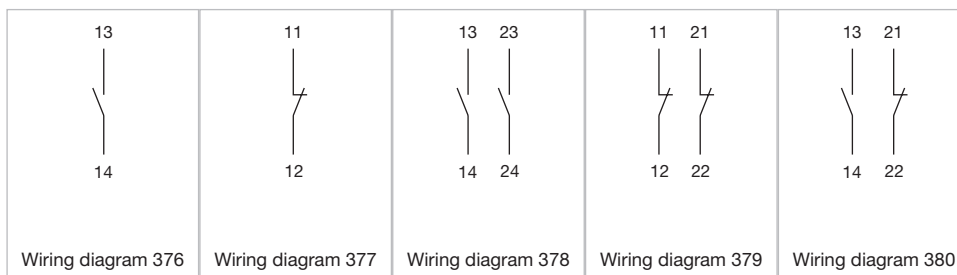
A = Screw terminal

B = Push-in terminal (PIT)

C = Plug-in terminal 6.3 mm x 0.8 mm

D = Double plug-in terminal 6.3 mm x 0.8 mm

Wiring diagrams



04 Components



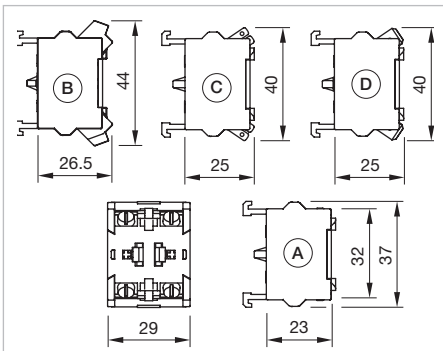
Slow-make switching element with screw terminal

Switching voltage	Switching current	Contacts	Contact material	Part No.	Wiring diagram
500 V	10 A	1 NO	Silver	704.910.1	376
	10 A	1 NC	Silver	704.910.2	377
	10 A	2 NO	Silver	704.910.3	378
	10 A	2 NC	Silver	704.910.4	379
	10 A	1 NC / 1 NO	Silver	704.910.5	380
	10 A	1 NO	Gold-plated silver	704.911.1	376
	10 A	1 NC	Gold-plated silver	704.911.2	377
	10 A	2 NO	Gold-plated silver	704.911.3	378
	10 A	2 NC	Gold-plated silver	704.911.4	379
	10 A	1 NC / 1 NO	Gold-plated silver	704.911.5	380
	10 A	1 NO	Palladium	704.912.1	376
	10 A	2 NO	Palladium	704.912.3	378
	10 A	2 NC	Palladium	704.912.4	379
	10 A	1 NC / 1 NO	Palladium	704.912.5	380

Contacts: NC = Normally closed, NO = Normally open

Additional information

- For the third switching element the terminal marking insert is to be ordered separately



Dimensions [mm]

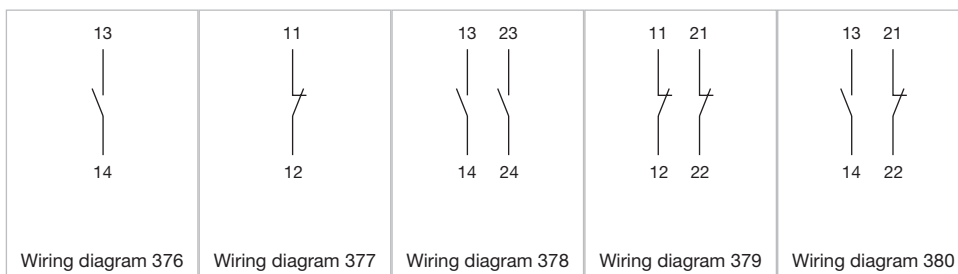
A = Screw terminal

B = Push-in terminal (PIT)

C = Plug-in terminal 6.3 mm x 0.8 mm

D = Double plug-in terminal 6.3 mm x 0.8 mm

Wiring diagrams

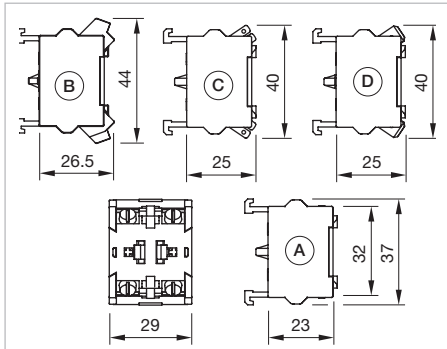




Snap-action switching element for ring cable shoe with screw terminal

Switching voltage	Switching current	Contacts	Contact material	Part No.	Wiring diagram
500 V	10 A	1 NO	Silver	704.900.1B	376
	10 A	1 NC	Silver	704.900.2B	377
	10 A	2 NO	Silver	704.900.3B	378
	10 A	2 NC	Silver	704.900.4B	379
	10 A	1 NC / 1 NO	Silver	704.900.5B	380

Contacts: NC = Normally closed, NO = Normally open



Dimensions [mm]

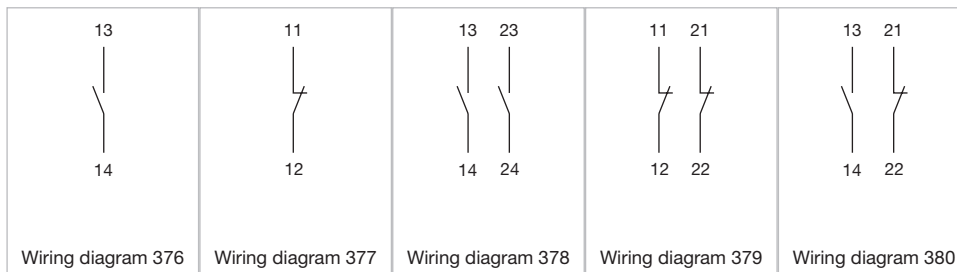
A = Screw terminal

B = Push-in terminal (PIT)

C = Plug-in terminal 6.3 mm x 0.8 mm

D = Double plug-in terminal 6.3 mm x 0.8 mm

Wiring diagrams



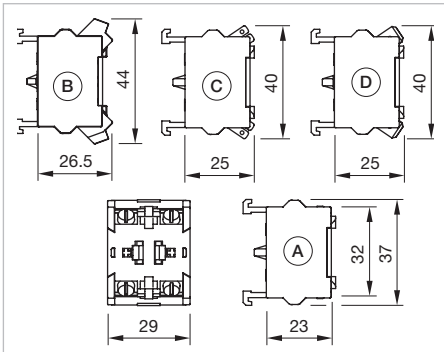
04 Components



Slow-make switching element for ring cable shoe with screw terminal

Switching voltage	Switching current	Contacts	Contact material	Part No.	Wiring diagram
500 V	10 A	1 NO	Silver	704.910.1B	376
	10 A	1 NC	Silver	704.910.2B	377
	10 A	2 NO	Silver	704.910.3B	378
	10 A	2 NC	Silver	704.910.4B	379
	10 A	2 NO	Gold-plated silver	704.911.3B	378
	10 A	2 NC	Gold-plated silver	704.911.4B	379
	10 A	1 NC / 1 NO	Gold-plated silver	704.911.5B	380

Contacts: NC = Normally closed, NO = Normally open



Dimensions [mm]

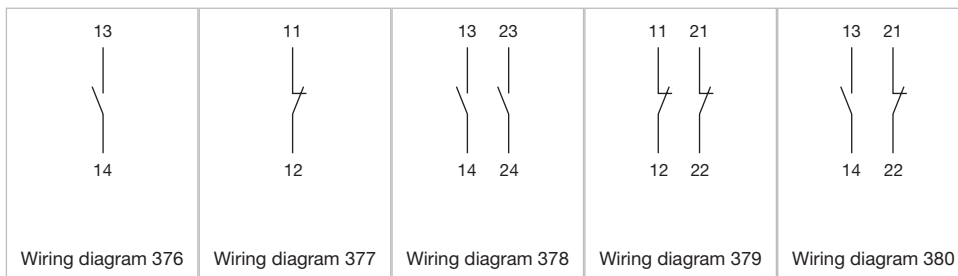
A = Screw terminal

B = Push-in terminal (PIT)

C = Plug-in terminal 6.3 mm x 0.8 mm

D = Double plug-in terminal 6.3 mm x 0.8 mm

Wiring diagrams





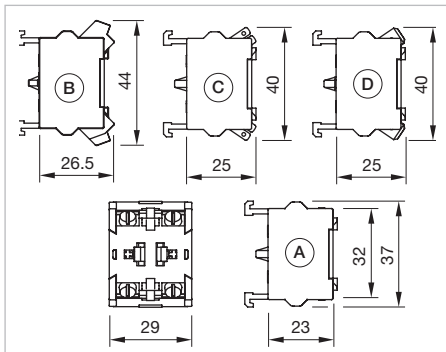
Slow-make switching element for emergency stop switch with push-in terminal

Switching voltage	Switching current	Contacts	Contact material	Part No.	Wiring diagram
250 V	6 A	1 NO	Gold-plated silver	704.917.1	376
	6 A	1 NC	Gold-plated silver	704.917.2	377
	6 A	2 NO	Gold-plated silver	704.917.3	378
	6 A	2 NC	Gold-plated silver	704.917.4	379
	6 A	1 NC / 1 NO	Gold-plated silver	704.917.5	380
	6 A	1 NO	Silver	704.918.1	376
	6 A	1 NC	Silver	704.918.2	377
	6 A	2 NO	Silver	704.918.3	378
	6 A	2 NC	Silver	704.918.4	379
	6 A	1 NC / 1 NO	Silver	704.918.5	380

Contacts: NC = Normally closed, NO = Normally open

Additional information

- For the third switching element the terminal marking insert is to be ordered separately



Dimensions [mm]

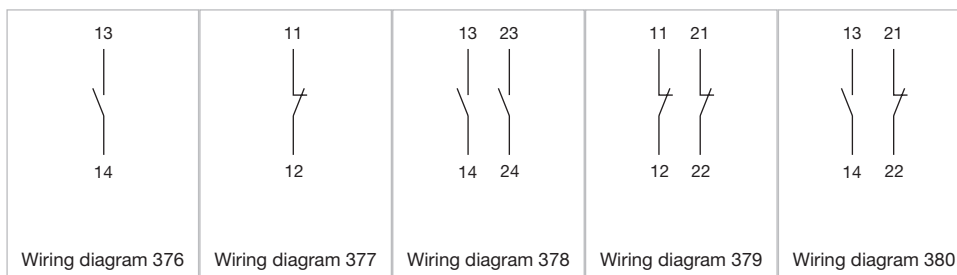
A = Screw terminal

B = Push-in terminal (PIT)

C = Plug-in terminal 6.3 mm x 0.8 mm

D = Double plug-in terminal 6.3 mm x 0.8 mm

Wiring diagrams



04 Components



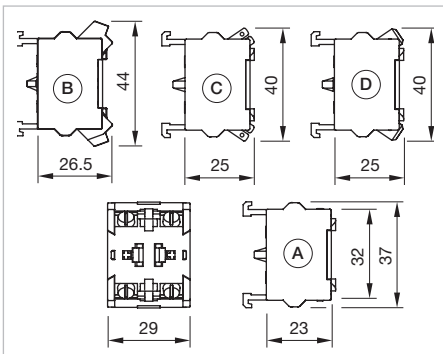
Slow-make switching element for emergency stop switch with plug-in terminal

Switching voltage	Switching current	Contacts	Contact material	Part No.	Wiring diagram
500 V	6 A	1 NO	Silver	704.915.1	376
	6 A	1 NC	Silver	704.915.2	377
	6 A	2 NO	Silver	704.915.3	378
	6 A	2 NC	Silver	704.915.4	379
	6 A	1 NC / 1 NO	Silver	704.915.5	380

Contacts: NC = Normally closed, NO = Normally open

Additional information

- For the third switching element the terminal marking insert is to be ordered separately



Dimensions [mm]

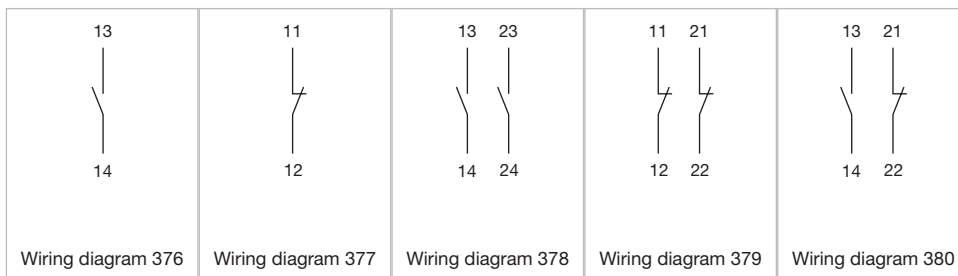
A = Screw terminal

B = Push-in terminal (PIT)

C = Plug-in terminal 6.3 mm x 0.8 mm

D = Double plug-in terminal 6.3 mm x 0.8 mm

Wiring diagrams





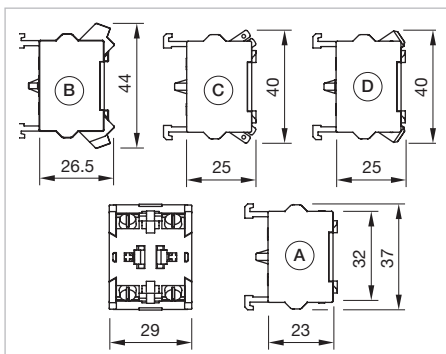
Slow-make switching element for emergency stop switch with double plug-in terminal

Switching voltage	Switching current	Contacts	Contact material	Part No.	Wiring diagram
500 V	6 A	1 NO	Silver	704.915.1/D	376
	6 A	1 NC	Silver	704.915.2/D	377
	6 A	2 NO	Silver	704.915.3/D	378
	6 A	2 NC	Silver	704.915.4/D	379
	6 A	1 NC / 1 NO	Silver	704.915.5/D	380

Contacts: NC = Normally closed, NO = Normally open

Additional information

- For the third switching element the terminal marking insert is to be ordered separately



Dimensions [mm]

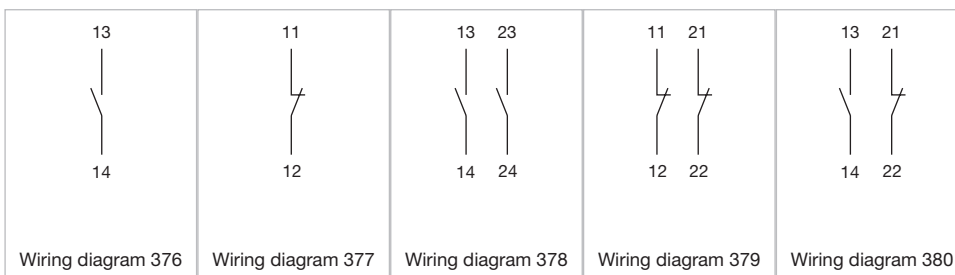
A = Screw terminal

B = Push-in terminal (PIT)

C = Plug-in terminal 6.3 mm x 0.8 mm

D = Double plug-in terminal 6.3 mm x 0.8 mm

Wiring diagrams



04 Components



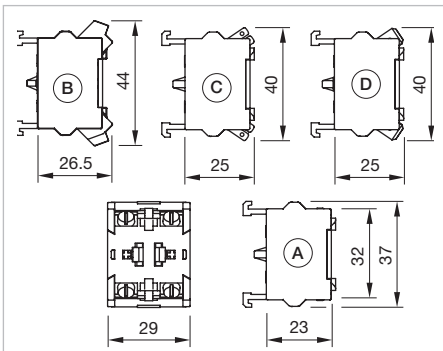
Slow-make switching element for emergency stop switch with screw terminal

Switching voltage	Switching current	Contacts	Contact material	Part No.	Wiring diagram
500 V	10 A	1 NO	Silver	704.910.1	376
	10 A	1 NC	Silver	704.910.2	377
	10 A	2 NO	Silver	704.910.3	378
	10 A	2 NC	Silver	704.910.4	379
	10 A	1 NC / 1 NO	Silver	704.910.5	380
	10 A	1 NO	Gold-plated silver	704.911.1	376
	10 A	1 NC	Gold-plated silver	704.911.2	377
	10 A	2 NO	Gold-plated silver	704.911.3	378
	10 A	2 NC	Gold-plated silver	704.911.4	379
	10 A	1 NC / 1 NO	Gold-plated silver	704.911.5	380
	10 A	1 NO	Palladium	704.912.1	376
	10 A	2 NO	Palladium	704.912.3	378
	10 A	2 NC	Palladium	704.912.4	379
	10 A	1 NC / 1 NO	Palladium	704.912.5	380

Contacts: NC = Normally closed, NO = Normally open

Additional information

- For the third switching element the terminal marking insert is to be ordered separately



Dimensions [mm]

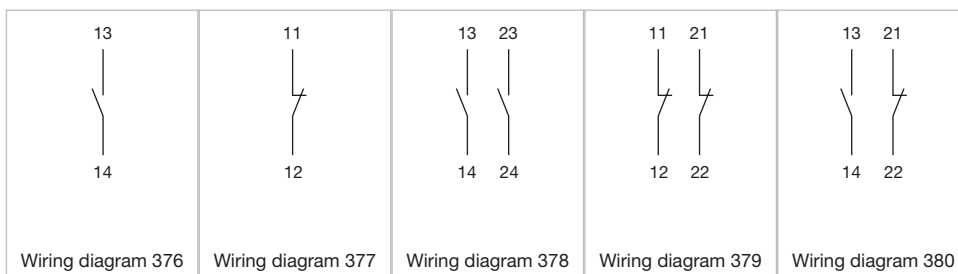
A = Screw terminal

B = Push-in terminal (PIT)

C = Plug-in terminal 6.3 mm x 0.8 mm

D = Double plug-in terminal 6.3 mm x 0.8 mm

Wiring diagrams

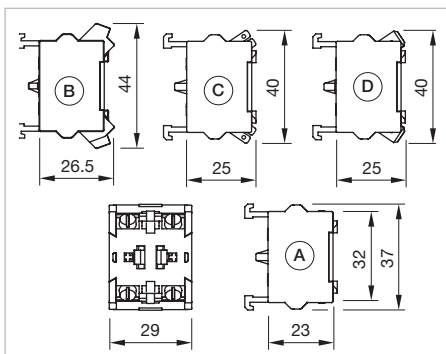




Slow-make switching element failsafe

Contacts	Contact material	Terminal	Product attributes	Part No.	Wiring diagram
1 NC / 1 FS	Silver	Screw terminal		704.910.4FS	381
	Gold-plated silver	Screw terminal		704.911.4FS	381
	Silver	Screw terminal	For ring cable shoe	704.910.4BFS	381
	Gold-plated silver	Screw terminal	For ring cable shoe	704.911.4BFS	381
	Silver	Plug-in terminal		704.915.4FS	381
	Gold-plated silver	Double plug-in terminal		704.911.4/DFS	381
	Silver	Double plug-in terminal		704.915.4/DFS	381
	Gold-plated silver	Push-in Terminal		704.917.4FS	381
	Silver	Push-in Terminal		704.918.4FS	381

Contacts: NC = Normally closed, NO = Normally open



Dimensions [mm]

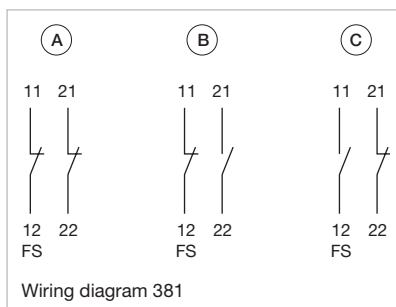
A = Screw terminal

B = Push-in terminal (PIT)

C = Plug-in terminal 6.3 mm x 0.8 mm

D = Double plug-in terminal 6.3 mm x 0.8 mm

Wiring diagrams

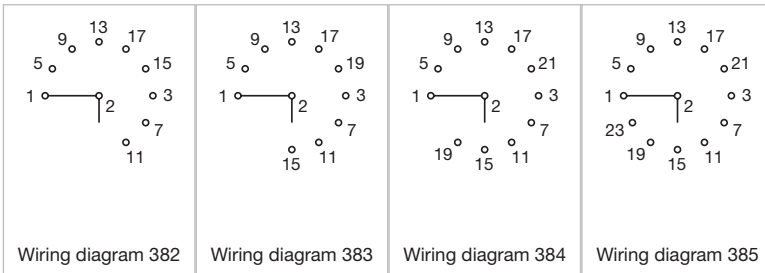


Kraus Naimer rotary switching element 30°

Switching positions	Rotary positions	Multi-step switch	Stages	Terminal	Part No.	Wiring diagram
A = Rest, I = End	9	1-pole	5	Screw terminal	704.8A236	382
A = Rest, K = End	10	1-pole	5	Screw terminal	704.8A237	383
A = Rest, L = End	11	1-pole	6	Screw terminal	704.8A238	384
A = Rest, M = End	12	1-pole	6	Screw terminal	704.8A239	385
A = Rest (without stop)	12	1-pole	6	Screw terminal	704.8A639	385

04 Components

Wiring diagrams



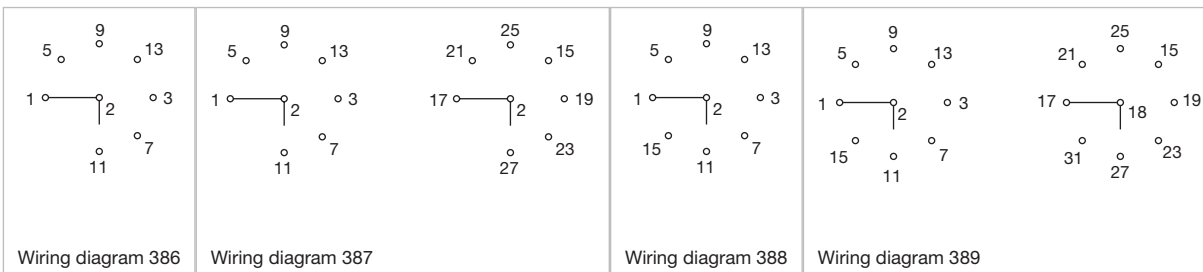
Kraus Naimer rotary switching element 45°

Switching positions	Rotary positions	Multi-step switch	Stages	Terminal	Part No.	Wiring diagram
A = Rest, G = End	7	1-pole	4	Screw terminal	704.8A234	386
	7	2-pole	7	Screw terminal	704.8A254	387
A = Rest, H = End	8	1-pole	4	Screw terminal	704.8A235	388
	8	2-pole	8	Screw terminal	704.8A255	389

Additional information

- Switching positions and functions of the rotary switching element are being produced according to customer specifications. Please contact your local EAO Sales Office

Wiring diagrams





Kraus Naimer rotary switching element 60°

Switching positions	Rotary positions	Multi-step switch	Stages	Terminal	Part No.	Wiring diagram
A = Rest, C = End	3	1-pole	2	Screw terminal	704.8A230	390
	3	1-pole, galvanically isolated	2	Screw terminal	704.8A730	391
	3	2-pole	3	Screw terminal	704.8A250	392
	3	3-pole	5	Screw terminal	704.8A270	393
A = Rest, D = End	4	1-pole	2	Screw terminal	704.8A231	394
	4	1-pole, galvanically isolated	2	Screw terminal	704.8A731	395
	4	2-pole	4	Screw terminal	704.8A251	396
	4	3-pole	6	Screw terminal	704.8A271	397
A = Rest, E = End	5	1-pole	3	Screw terminal	704.8A232	398
	5	2-pole	5	Screw terminal	704.8A252	399
	5	3-pole	8	Screw terminal	704.8A272	400
A = Rest, F = End	6	1-pole	3	Screw terminal	704.8A233	401
	6	2-pole	6	Screw terminal	704.8A253	402

Additional information

- Switching positions and functions of the rotary switching element are being produced according to customer specifications. Please contact your local EAO Sales Office



EAO Downloads.
www.eao.com/downloads
EAO creates possibilities. Since 1947.

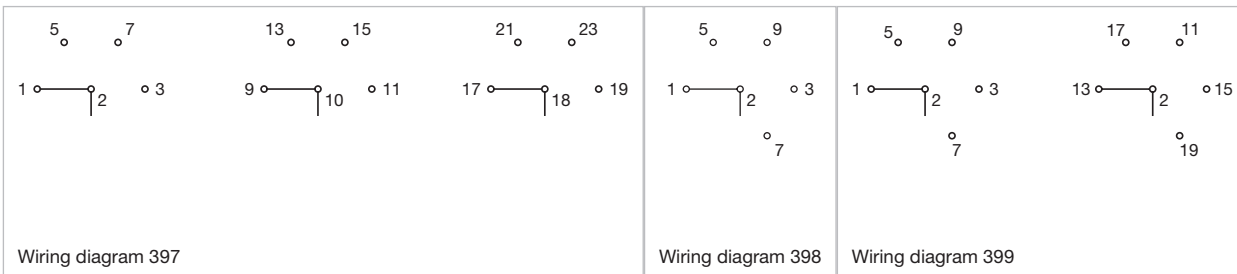
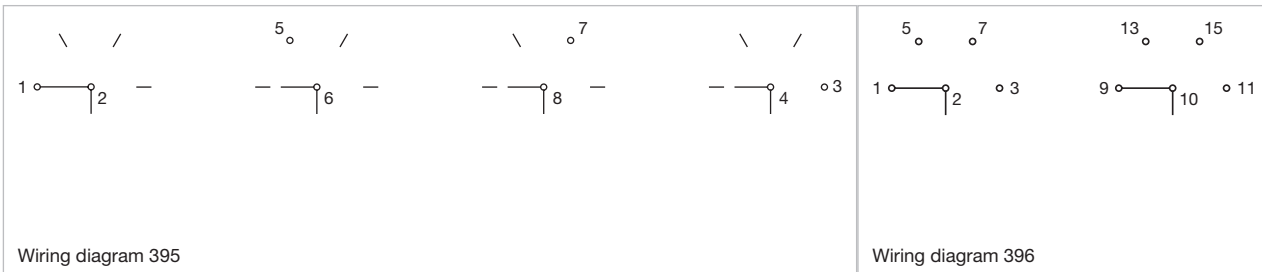
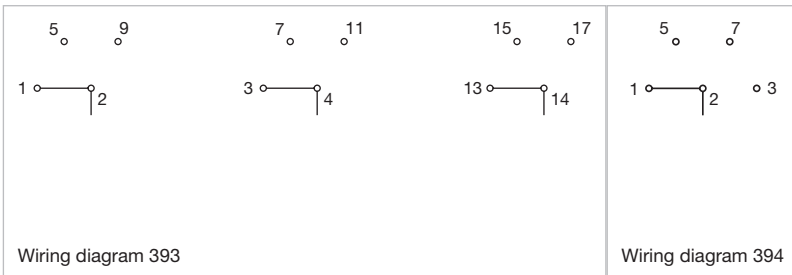
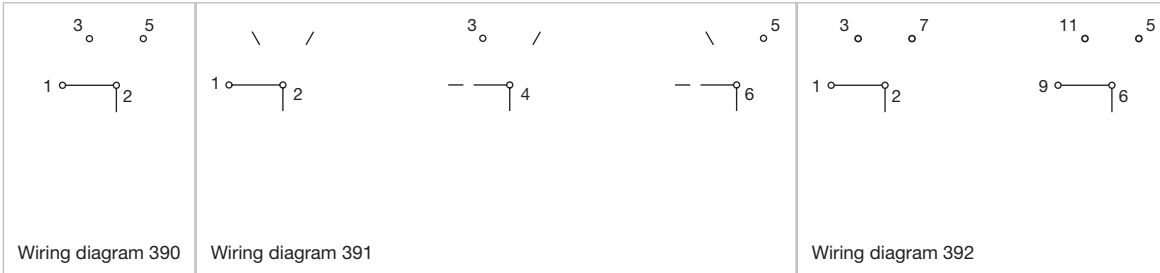


[On our website you can download technical data, assembly instructions, catalogs, brochures and much more.](#)

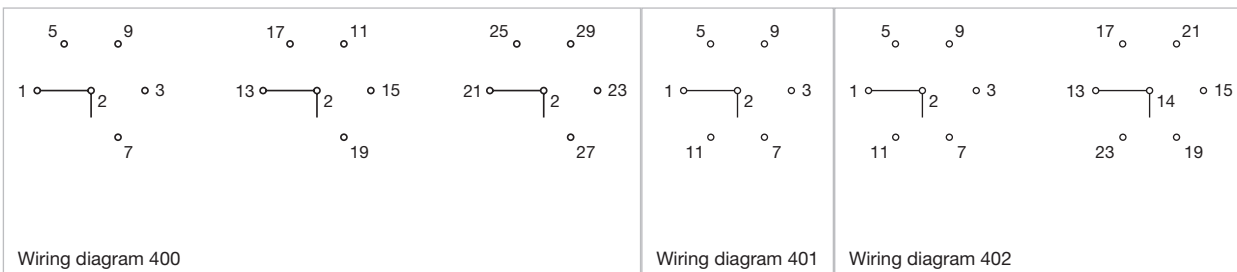
- 01
- 02
- 03
- 04**
- 09
- 14
- 17
- 18
- 19
- 22
- 31
- 41
- 45
- 51
- 56
- 57
- 61
- 70
- 71
- 82
- 84
- 92
- 96

04 Components

Wiring diagrams



Wiring diagrams





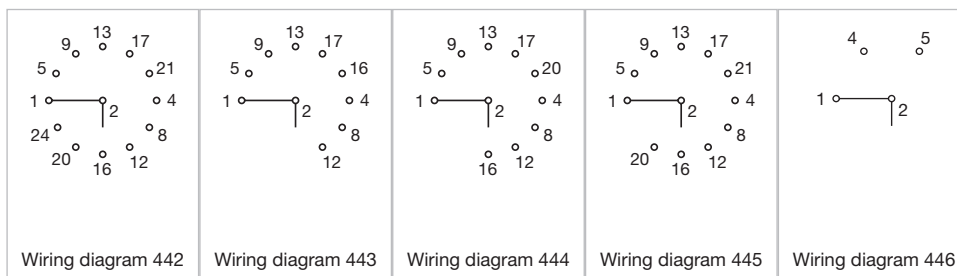
Santon rotary switching element 30°

Switching positions	Rotary positions	Multi-step switch	Stages	Terminal	Part No.	Wiring diagram
A = Rest, I = End	9	1-pole	5	Screw terminal	704.F100001	443
A = Rest, K = End	10	1-pole	5	Screw terminal	704.F100002	444
A = Rest, L = End	11	1-pole	6	Screw terminal	704.F100003	445
A = Rest, M = End	12	1-pole	6	Screw terminal	704.F100004	446
A = Rest, M = End	12	1-pole	6	Screw terminal	704.F100015	442
A = Rest, I = End	9	1-pole	5	Plug-in terminal	704.F1A00001	443
A = Rest, K = End	10	1-pole	5	Plug-in terminal	704.F1A00002	444
A = Rest, L = End	11	1-pole	6	Plug-in terminal	704.F1A00003	445
A = Rest, M = End	12	1-pole	6	Plug-in terminal	704.F1A00004	446
A = Rest, M = End	12	1-pole	6	Plug-in terminal	704.F1A00015	442

Additional information

- Switching positions and functions of the rotary switching element are being produced according to customer specifications. Please contact your local EAO Sales Office

Wiring diagrams



04 Components



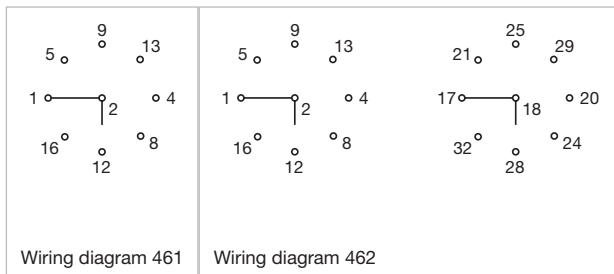
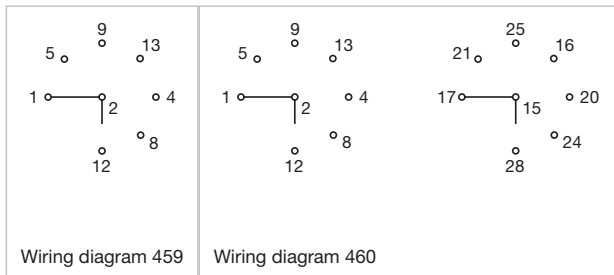
Santon rotary switching element 45°

Switching positions	Rotary positions	Multi-step switch	Stages	Terminal	Part No.	Wiring diagram
A = Rest, G = End	7	1-pole	4	Screw terminal	704.F100019	459
A = Rest, G = End	7	2-pole	7	Screw terminal	704.F100020	460
A = Rest, H = End	8	1-pole	4	Screw terminal	704.F100021	461
A = Rest, H = End	8	2-pole	8	Screw terminal	704.F100022	462
A = Rest, G = End	7	1-pole	4	Plug-in terminal	704.F1A00019	459
A = Rest, G = End	7	2-pole	7	Plug-in terminal	704.F1A00020	460
A = Rest, H = End	8	1-pole	4	Plug-in terminal	704.F1A00021	461
A = Rest, H = End	8	2-pole	8	Plug-in terminal	704.F1A00022	462

Additional information

- Switching positions and functions of the rotary switching element are being produced according to customer specifications. Please contact your local EAO Sales Office

Wiring diagrams





Santon rotary switching element 60°

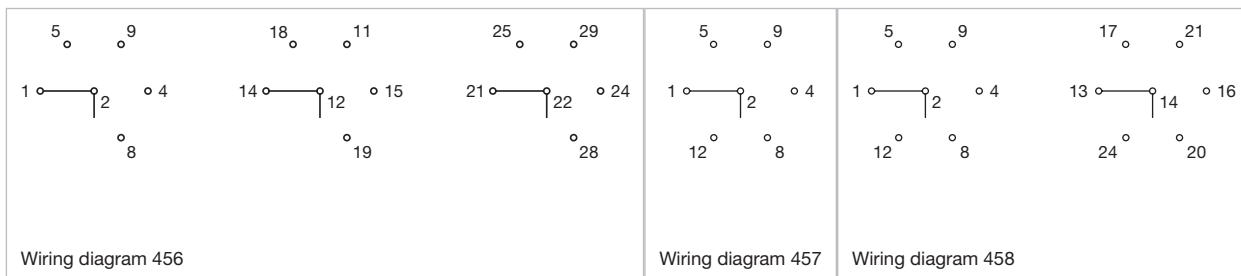
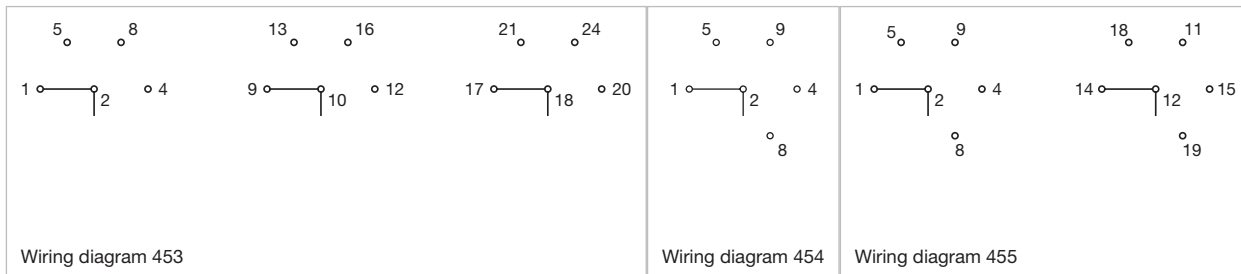
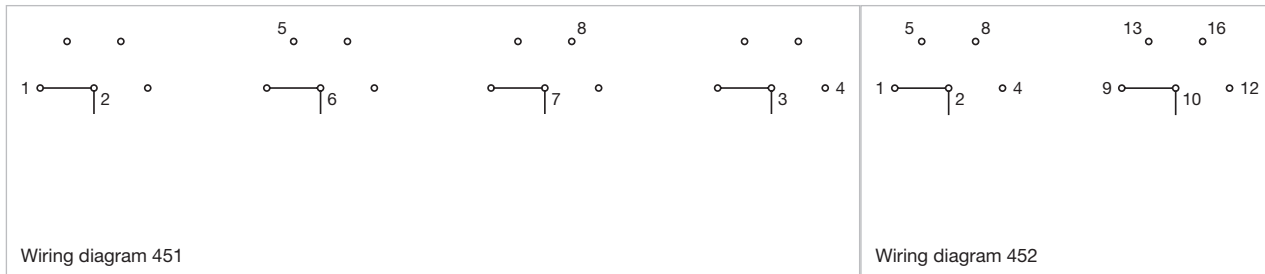
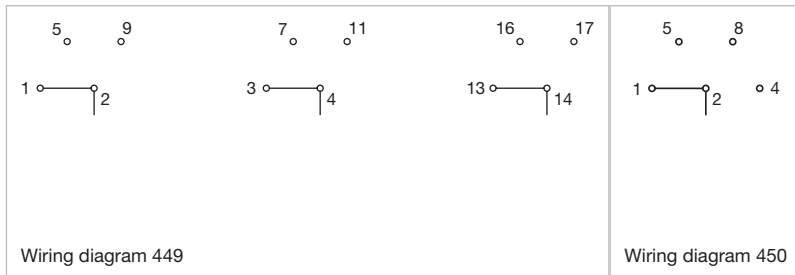
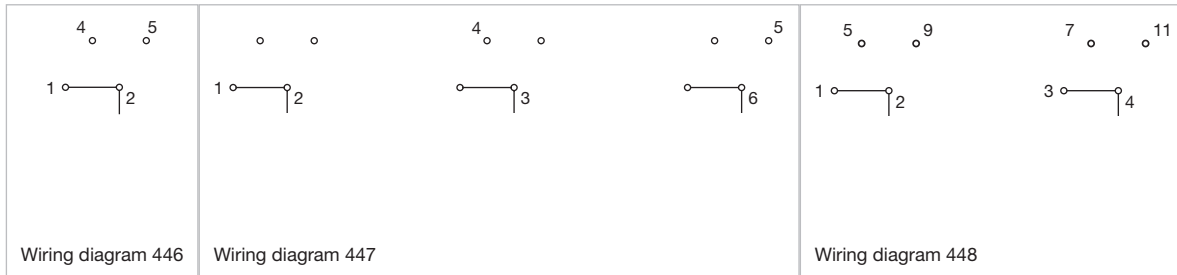
Switching positions	Rotary positions	Multi-step switch	Stages	Terminal	Part No.	Wiring diagram
A = Rest, D = End	4	4-pole	2	Screw terminal	704.F100005	451
A = Rest, C = End	3	1-pole	2	Screw terminal	704.F100006	446
A = Rest, C = End	3	2-pole	3	Screw terminal	704.F100007	448
A = Rest, C = End	3	3-pole	5	Screw terminal	704.F100008	449
A = Rest, D = End	4	1-pole	2	Screw terminal	704.F100009	450
A = Rest, D = End	4	2-pole	4	Screw terminal	704.F100010	452
A = Rest, D = End	4	3-pole	6	Screw terminal	704.F100011	453
A = Rest, E = End	5	1-pole	3	Screw terminal	704.F100012	454
A = Rest, E = End	5	2-pole	5	Screw terminal	704.F100013	455
A = Rest, E = End	5	3-pole	8	Screw terminal	704.F100014	456
A = Rest, F = End	6	1-pole	3	Screw terminal	704.F100016	457
A = Rest, F = End	6	2-pole	6	Screw terminal	704.F100017	458
A = Rest, C = End	3	3-pole	2	Screw terminal	704.F100018	447
A = Rest, D = End	4	4-pole	2	Plug-in terminal	704.F1A00005	451
A = Rest, C = End	3	1-pole	2	Plug-in terminal	704.F1A00006	446
A = Rest, C = End	3	2-pole	3	Plug-in terminal	704.F1A00007	448
A = Rest, C = End	3	3-pole	5	Plug-in terminal	704.F1A00008	449
A = Rest, D = End	4	1-pole	2	Plug-in terminal	704.F1A00009	450
A = Rest, D = End	4	2-pole	4	Plug-in terminal	704.F1A00010	452
A = Rest, D = End	4	3-pole	6	Plug-in terminal	704.F1A00011	453
A = Rest, E = End	5	1-pole	3	Plug-in terminal	704.F1A00012	454
A = Rest, E = End	5	2-pole	5	Plug-in terminal	704.F1A00013	455
A = Rest, E = End	5	3-pole	8	Plug-in terminal	704.F1A00014	456
A = Rest, F = End	6	1-pole	3	Plug-in terminal	704.F1A00016	457
A = Rest, F = End	6	2-pole	6	Plug-in terminal	704.F1A00017	458
A = Rest, C = End	3	3-pole	2	Plug-in terminal	704.F1A00018	447

Additional information

- Switching positions and functions of the rotary switching element are being produced according to customer specifications. Please contact your local EAO Sales Office

04 Components

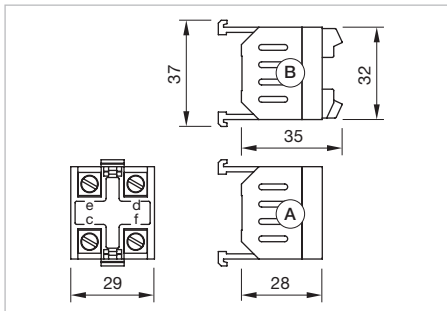
Wiring diagrams





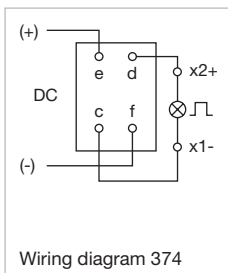
Flasher element

Product attributes	Terminal	Part No.	Wiring diagram
Lamp voltage/-current 130 V, 20 mA	Screw terminal	704.943.0	374
Lamp voltage/- current 60 V, 33 mA	Screw terminal	704.943.1	374
Lamp voltage/-current 130 V, 3 mA	Push-in Terminal	704.943.2P	374
	Screw terminal	704.943.2	374
Lamp voltage/-current 24 V, 10 ... 85 mA	Screw terminal	704.943.5	374



Dimensions [mm]
 A = Screw terminal
 Push-in terminal (PIT)

Wiring diagrams



04 Components

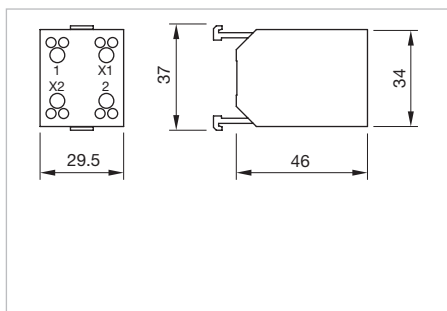


Lamp transformer

Part No.	Wiring diagram
704.970.3	371
704.970.4	371
704.970.5	371
704.970.6	371

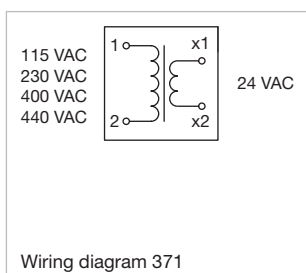
Additional information

- Lamp voltage/-current 24 VAC, 50 mA, 50/60 Hz



Dimensions [mm]

Wiring diagrams



Front side

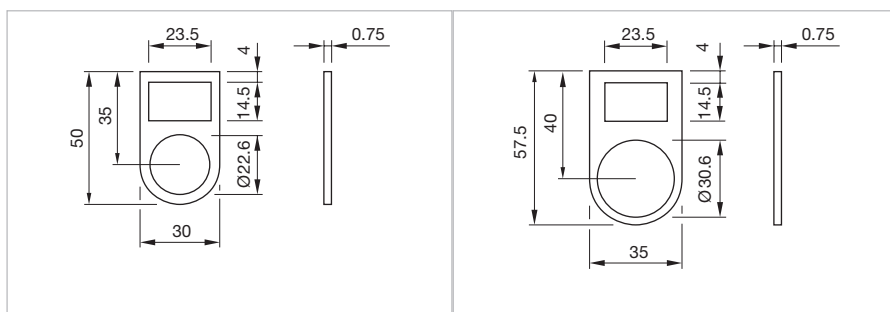


Legend frame

Product attributes	Dimensions	Material	Colour	Surface	Mounting type	Part No.
For raised design	30 mm x 0.75 mm x 50 mm	aluminium	Black	anodised	adhesive	704.968.2
For flush design	35 mm x 0.75 mm x 57.5 mm	aluminium	Black	anodised	adhesive	704.968.3

Additional information

- The colour of anodised aluminium parts can vary due to technical production reasons



Dimensions [mm]
for Part No. 704.968.2

Dimensions [mm]
for Part No. 704.968.3



Legend plate

Dimensions	Material	Colour	Surface	Mounting type	Part No.
14.5 mm x 23.5 mm	aluminium	Nature	anodised	adhesive	704.968.0
	aluminium	Black	anodised	adhesive	704.968.1

Additional information

- For legend frame Part No.704.968.2 and 704.968.3
- The colour of anodised aluminium parts can vary due to technical production reasons



Legend plate flush design

Dimensions	Material	Colour	Surface	Mounting type	Part No.
18 mm x 35 mm	aluminium	Nature	anodised	adhesive	704.968.4
	aluminium	Black	anodised	adhesive	704.968.5

Additional information

- For devices square with flush design
- The colour of anodised aluminium parts can vary due to technical production reasons

01
02
03
04
09
14
17
18
19
22
31
41
45
51
56
57
61
70
71
82
84
92
96

04 Accessories



Emergency stop legend

Dimensions	Material	Colour	Mounting cut-out	Marking	Part No.
Ø 60 mm	plastic	Yellow	Ø 22.3 mm	NOT AUS	704.963.5
	plastic	Yellow	Ø 22.3 mm	EMERGENCY STOP	704.963.6
	plastic	Yellow	Ø 22.3 mm	ARRET D'URGENCE	704.963.7
	plastic	Yellow	Ø 22.3 mm	NOT HALT	704.963.8
	plastic	Yellow	Ø 22.3 mm	EN ISO 13850 symbol	704.963.9
Ø 90 mm	plastic	Yellow	Ø 22.3 mm	NOT AUS	704.963.0
	plastic	Yellow	Ø 22.3 mm	EMERGENCY STOP	704.963.1
	plastic	Yellow	Ø 22.3 mm	ARRET D'URGENCE	704.963.2
	plastic	Yellow	Ø 22.3 mm	NOT HALT	704.963.3
	plastic	Yellow	Ø 22.3 mm	EN ISO 13850 symbol	704.963.4

Additional information

- Front panel thickness 3 mm max.



Legend plate rotary switch

Product attributes	Dimensions	Material	Colour	Surface	Mounting type	Part No.
For raised design Ø 29 mm	48 mm x 48 mm	aluminium	Black	anodised	adhesive	704.968.10
For flush design Ø 35 mm	48 mm x 48 mm	aluminium	Black	anodised	adhesive	704.968.11
For raised design Ø 29 mm	48 mm x 60 mm	aluminium	Black	anodised	adhesive	704.968.12

Additional information

- The colour of anodised aluminium parts can vary due to technical production reasons

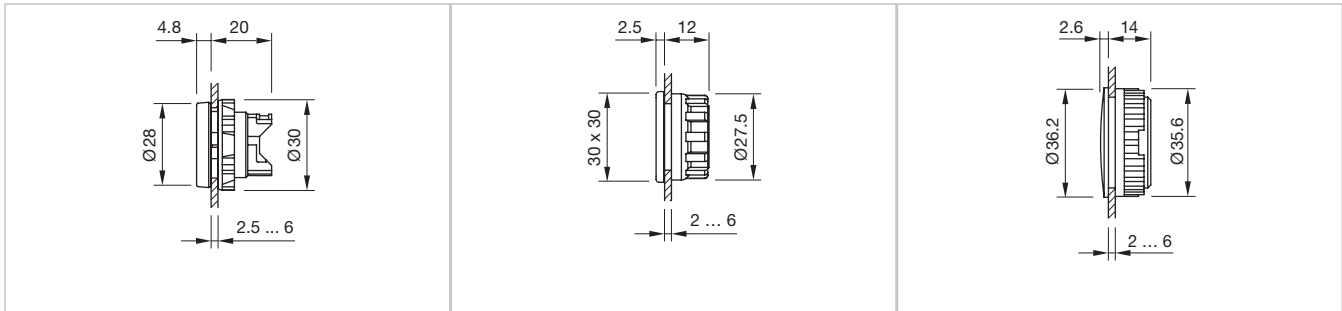


Blind plug

Dimensions	Material	Colour	Mounting cut-out	Part No.
Ø 28 mm	plastic	Black	Ø 22.3 mm	704.960.4
Ø 22.5 mm	plastic	Black	Ø 22.3 mm	704.964.7
Ø 36 mm	plastic	Black	Ø 30.5 mm	704.964.8
35 mm x 35 mm	plastic	Black	30 mm x 30 mm	704.964.9

Additional information

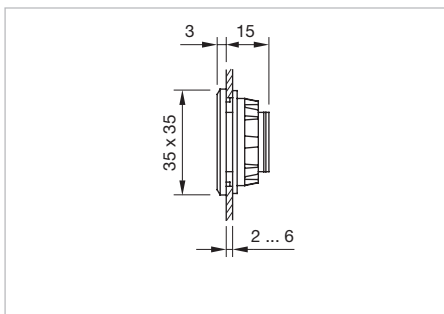
- Please note that bigger minimum distances are necessary



Dimensions [mm]
for Part No. 704.960.4

Dimensions [mm]
for Part No. 704.964.7

Dimensions [mm]
for Part No. 704.964.8



Dimensions [mm]
for Part No. 704.964.9



Spare key

Product attributes	Material	Part No.
The standard lock Ronis 251	metal	704.989.251



Protective cap

Product attributes	Material	Colour	Optics	Part No.
Only together with lenses Part No. 704.602.X, 704.601.X and front rings Part No. 704.600.X	silicone	Colourless	transparent	704.953.0

Additional information

- For Indicator and Illuminated pushbutton for IP68 protection

04 Accessories



Protective ring

Product attributes	Material	Colour	Surface	Part No.
With transparent silicone membrane (resistant to sea water), temperature resistance -40 °C ... +85 °C	brass		chrome	704.600.2
	aluminium	Nature	anodised	704.600.3
With transparent Pebax membrane, temperature resistance -40 °C ... +85 °C	aluminium	Nature	anodised	704.600.5/A

Additional information

- For Illuminated pushbutton for front protection IP 67
- The colour of anodised aluminium parts can vary due to technical production reasons

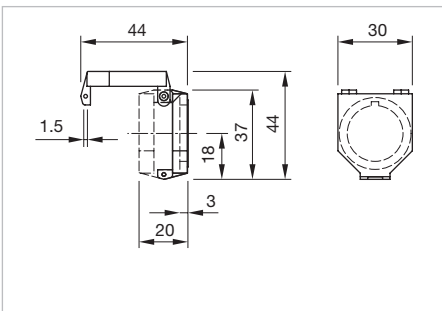


Protective cover raised design

Product attributes	Material	Optics	Part No.
For pushbutton	plastic	transparent	704.925.0
With spring fitted, for pushbutton	plastic	transparent	704.925.3
For selector switch	plastic	transparent	704.925.2

Additional information

- Hinged, with means for sealing



Dimensions [mm]

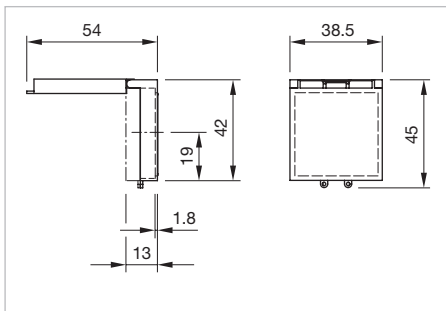


Protective cover square flush design

Product attributes	Dimensions	Material	Optics	Mounting cut-out	Part No.
For pushbutton	38.5 mm x 45 mm	plastic	transparent	30 mm x 30 mm	704.925.8
For selector switch	38.5 mm x 45 mm	plastic	transparent	30 mm x 30 mm	704.925.9

Additional information

- Hinged, with means for sealing
- Front panel thickness reduces by 2 mm
- Please note that bigger minimum distances are necessary



Dimensions [mm]

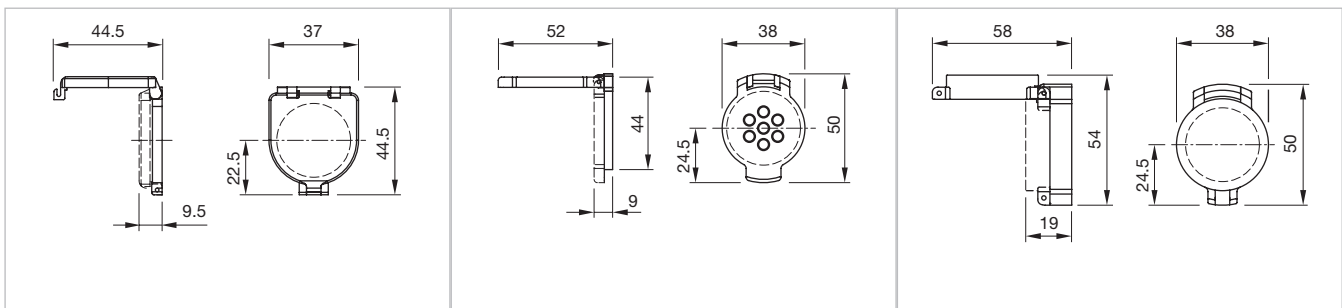


Protective cover round flush design

Product attributes	Dimensions	Material	Colour	Surface	Part No.
With means for sealing, for pushbutton with mounting cut-outs Ø 30.5 mm	37 mm x 44.5 mm	plastic	Colourless		704.925.7
Without cover locking hole, with spring fitted, with window, for pushbutton with mounting cut-outs Ø 30.5 mm	38 mm x 50 mm	aluminium	Nature	anodised	704.928.18
Without cover locking hole, for pushbutton and selector switch short lever with mounting cut-outs Ø 30.5 mm	38 mm x 50 mm	aluminium	Nature	anodised	704.928.28
With means for sealing, for pushbutton and selector switch short lever with mounting cut-outs Ø 30.5 mm	38 mm x 50 mm	aluminium	Nature	anodised	704.928.38

Additional information

- Hinged
- Front panel thickness reduces by 2 mm
- Please note that bigger minimum distances are necessary
- The colour of anodised aluminium parts can vary due to technical production reasons



Dimensions [mm]
for Part No. 704.925.7

Dimensions [mm]
for Part No. 704.928.18

Dimensions [mm]
for Part No. 704.928.28, 704.928.38

04 Accessories

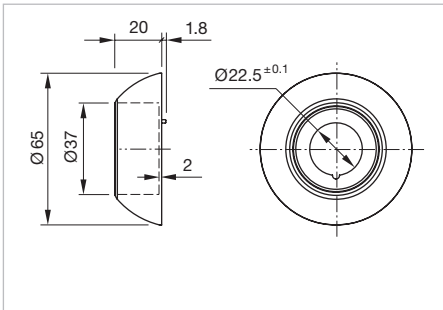


E stop protective shroud

Dimensions	Material	Colour	Marking	IK Protection	Part No.
Ø 65 mm	plastic	Yellow		IK 07	704.927.6
	plastic	Yellow	NOT-AUS	IK 07	704.927.6A
	plastic	Yellow	EMERGENCY-STOP	IK 07	704.927.6B
	plastic	Yellow	EMERGENCY-STOP / NOT-AUS	IK 07	704.927.6C

Additional information

- Front panel thickness 1 ... 2.5 mm other actuators
- Front panel thickness 1 ... 2.5 mm with emergency stop switch
- With anti-twist device
- When using a protective shroud the e-stop or stop-switch has to be turned by 180° to be mounted. See dimensional drawing
- Do not use solvents when cleaning



Dimensions [mm]

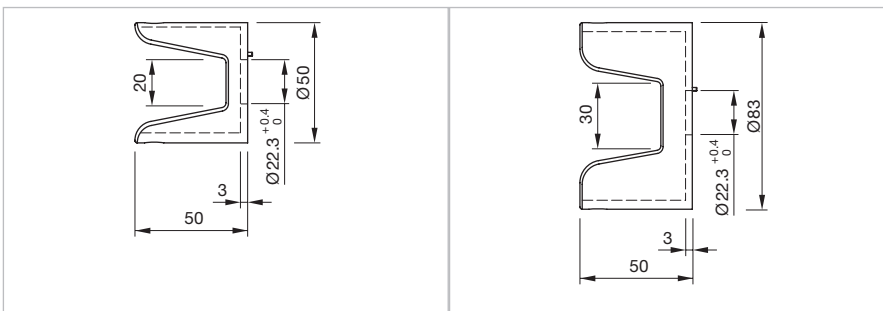


Protective shroud

Product attributes	Dimensions	Material	Colour	Part No.
Use only for Part No. 704.064.2 und 704.066.2	Ø 50 mm	plastic	Yellow	704.927.8
	Ø 83 mm	plastic	Yellow	704.927.9

Additional information

- The protection shroud Part is not suitable for a proper use of emergency-stop. It can obstruct a spontaneous operation of the emergency-stop switch
- Use only for Part No. 704.064.2 und 704.066.2



Dimensions [mm]

Dimensions [mm]



Marking foil square

Product attributes	Material	Colour	Optics	Part No.
For lens square, front illumination	plastic	Colourless	transparent	704.707.7
For lens square, full-face illumination	plastic	Colourless	transparent	704.706.7

Additional information

- Can be hot stamped

01
02
03
04
09
14
17
18
19
22
31
41
45
51
56
57
61
70
71
82
84
92
96



EAO Downloads.
www.eao.com/downloads
EAO creates possibilities. Since 1947.



[On our website you can download technical data, assembly instructions, catalogs, brochures and much more.](#)

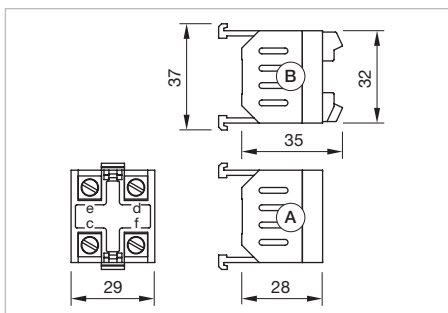
04 Accessories

Rear side



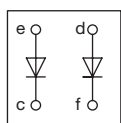
Diode block

Terminal	Part No.	Wiring diagram
Push-in Terminal	704.942.5P	370
Screw terminal	704.942.5	370

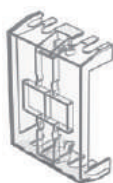


Dimensions [mm]
 A = Screw terminal
 Push-in terminal (PIT)

Wiring diagrams

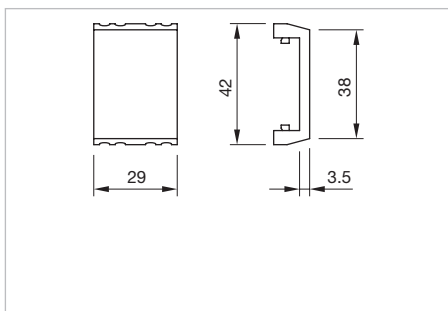


Wiring diagram 370



Terminal cover

Product attributes	Material	Part No.
For covering of screw terminal	plastic	704.964.5



Dimensions [mm]



Terminal marking

Product attributes	Marking	Part No.
2 NO for 1st or 2nd switching element	13/23 33/43	704.965.1
	24/14 44/34	704.965.2
2 NO for 3rd switching element	53/63 73/83	704.965.3
	64/54 84/74	704.965.4
2 NC for 1st or 2nd switching element	11/21 31/41	704.965.5
	22/12 42/32	704.965.6
2 NC for 3rd switching element	51/61 71/81	704.965.7
	62/52 82/72	704.965.8
1 NC + 1 NO for 1st or 2nd switching element	13/21 33/41	704.965.9
	22/14 42/34	704.966.0
1 NC + 1 NO for 3rd switching element	53/61 73/81	704.966.1
	62/54 82/74	704.966.2



Side terminal plate empty

Product attributes	Dimensions	Part No.
5 spaces	62.5 mm x 15 mm x 60 mm	02-912.1
10 spaces	125 mm x 15 mm x 60 mm	02-912.2
15 spaces	187.6 mm x 15 mm x 60 mm	02-912.3
20 spaces	250 mm x 15 mm x 60 mm	02-912.4



Contact bridge

Material	Part No.
metal	704.990.1

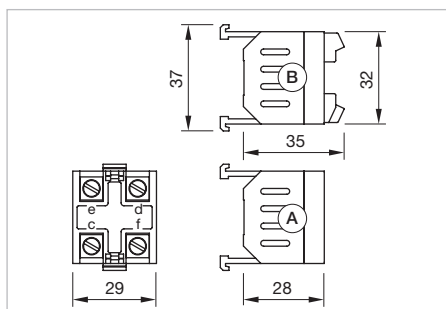
Additional information

- For switching element with screw terminals
- Do not insert by Emergency-stop switches and by stop switches
- Available in unit of 10 pieces



Resistor block

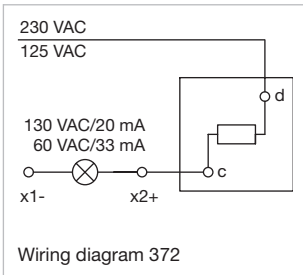
Product attributes	Material	Operating voltage	Terminal	Part No.	Wiring diagram
Lamp voltage/-current 130 V, 20 mA	plastic	130 - 230 V AC	Screw terminal	704.941.0	372
Lamp voltage/- current 60 V, 33 mA	plastic	33 - 60 V AC	Push-in Terminal	704.941.5P	372
	plastic	33 - 60 V AC	Screw terminal	704.941.5	372



Dimensions [mm]
 A = Screw terminal
 Push-in terminal (PIT)

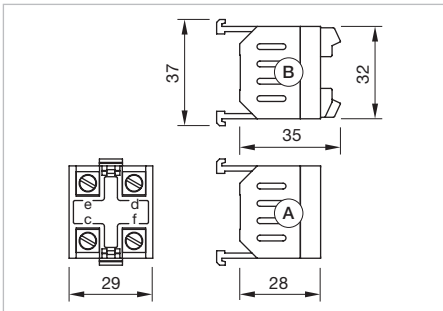
04 Accessories

Wiring diagrams



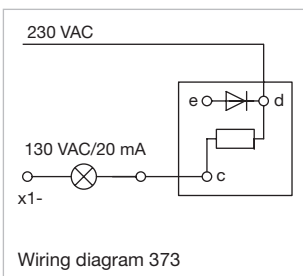
Side resistor diode block

Product attributes	Material	Operating voltage	Terminal	Part No.	Wiring diagram
Lamp voltage/-current 130 V, 20 mA	plastic	130 - 230 V AC	Screw terminal	704.941.9	373

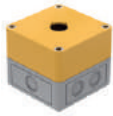


Dimensions [mm]
A = Screw terminal
Push-in terminal (PIT)

Wiring diagrams

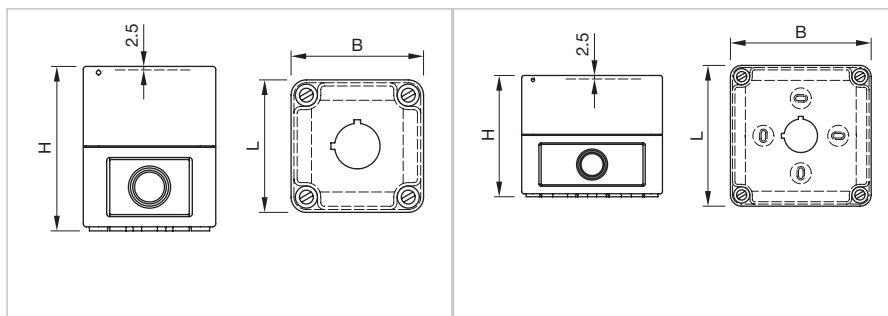


Mounting



Enclosure

Product attributes	Dimensions	Material	Colour	IP Protection	Part No.
Bottom grey similar RAL 7035; cover lead-sealable, yellow similar RAL 1004	94 mm x 81 mm x 94 mm	plastic	Grey	IP66	704.945.0
	65 mm x 81 mm x 65 mm	plastic	Grey	IP66	704.945.7
	94 mm x 81 mm x 65 mm	plastic	Grey	IP66	704.945.8
With mounting cut-out 1 x Ø 22.5 mm, with anti-twist device	94 mm x 81 mm x 94 mm	plastic	Grey	IP66	704.945.1
with mounting cut-out 2 x Ø 22.3 mm, with anti-twist device	130 mm x 81 mm x 94 mm	plastic	Grey	IP66	704.945.2
with mounting cut-out 3 x Ø 22.3 mm, with anti-twist device	180 mm x 81 mm x 94 mm	plastic	Grey	IP66	704.945.3
with mounting cut-out 4 x Ø 22.3 mm, with anti-twist device	180 mm x 110 mm x 182 mm	plastic	Grey	IP66	704.945.4
with mounting cut-out 6 x Ø 22.3 mm, with anti-twist device	180 mm x 110 mm x 182 mm	plastic	Grey	IP66	704.945.5



Dimensions [mm]

Dimensions [mm]



Lens plug

Product attributes	Material	Part No.
For mounting and dismantling of the round lens, flush design	plastic	700.006.0



Lens remover

Product attributes	Material	Part No.
For dismantling of the square lens, flush design	metal	98-968



Cable gland

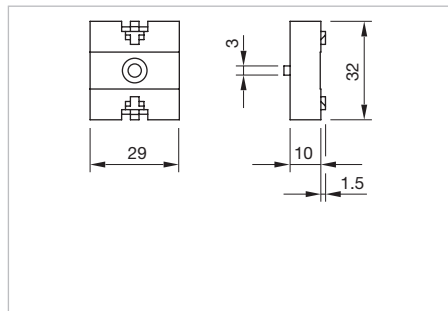
Product attributes	Material	Colour	IP Protection	Thread	Part No.
With traction relief	plastic	Grey	IP68	M16 x 1.5 mm	61-9481.6
	plastic	Grey	IP68	M20 x 1.5 mm	704.945.6

04 Accessories



Mounting plate

Product attributes	Material	Colour	Part No.
For separate mounting of lamp transformer, resistor block or capacitor block	plastic	Grey	704.940.8



Dimensions [mm]



Mounting tool indicator

Product attributes	Material	Part No.
For Indicators full-face illumination, compact	metal	700.005.0



Mounting tool key insert switch and conductor switch

Product attributes	Material	Part No.
For key insert switch	metal	704.990.0

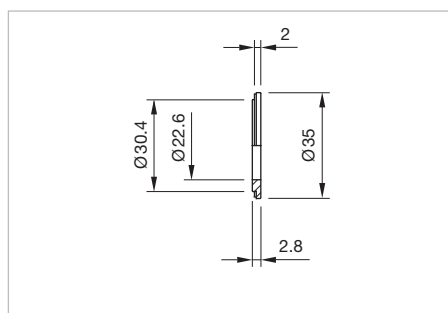


Reducing ring

Product attributes	Material	Colour	Surface	Part No.
	aluminium	Black	anodised	704.960.0
	aluminium	Nature	anodised	704.960.8
With slot for anti-twist device	aluminium	Nature	anodised	704.960.8A

Additional information

- Devices $\varnothing 22.3$ mm in mounting cut-out $\varnothing 30.5$ mm
- The colour of anodised aluminium parts can vary due to technical production reasons

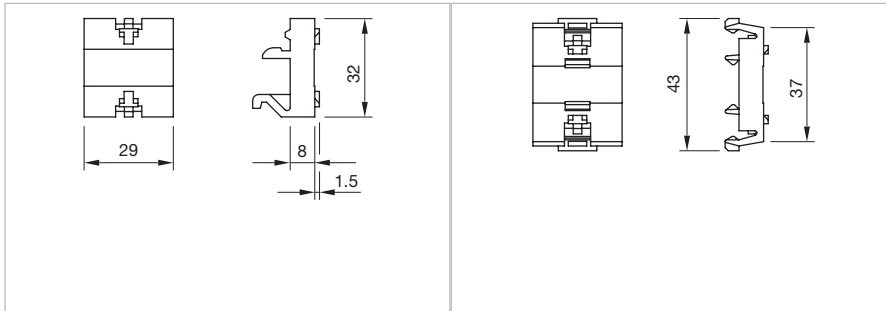


Dimensions [mm]



On base

Product attributes	Material	Colour	Optics	Part No.
To snap-on, for separate mounting of lamp transformer, resistor block or capacitor block	plastic	Black		704.940.9
	plastic	Colourless	transparent	704.941.1



Dimensions [mm]

Dimensions [mm]



Reinforcement ring

Dimensions	Material	Surface	Part No.
44 mm x 3 mm x 29 mm	steel_plate	galvanized	704.960.9

Additional information

- For thin front panels and plastic case

- 01
- 02
- 03
- 04**
- 09
- 14
- 17
- 18
- 19
- 22
- 31
- 41
- 45
- 51
- 56
- 57
- 61
- 70
- 71
- 82
- 84
- 92
- 96

04 Technical data

Slow-make switching element

Switching system

The double-break, slow-make switching element is equipped with one or two independent contact systems, acting as normally open or normally closed contact. The normally closed contact has forced opening.

Slow-make contacts with forced action are ideal for high switch ratings.

Up to three switching elements can be snapped to each actuator.

For the emergency-stop pushbutton use the slow-make switching element (max. 2).

Material

Material of contact

Hard silver, gold-silver, silver-palladium (for aggressive atmospheres)

Switch housing

Plastic

Mechanical characteristics

Terminals

Screw terminals

Plug-in terminals 6.3 mm x 0.8 mm

Max. wire cross-section 2 x 2.5 mm²

Max. wire cross-section of stranded cable 2 x 1.5 mm²

For switches with plug-in terminals it is necessary to provide insulation sleeves and to maintain a spacing of 65 mm between rows (mounting cut-outs)

Tightening torque

Screws at the plastic mounting flange max. 0.4–0.5 Nm

Screws at the metal mounting flange max. 0.25–0.3 Nm

Screws at switching element max. 0.50 Nm

Actuating force

1 Normally closed 2 N

1 Normally open 3.1 N

Actuating travel

Approx. 5.8 mm ± 0.2 mm

Mechanical lifetime

(with 1 switching element)

Pushbutton maintained action 1.5 million cycles of operation

Pushbutton momentary action 3 million cycles of operation

Selector switch maintained action 1.25 million cycles of operation

Selector switch momentary action 2.5 million cycles of operation

Emergency-stop switch 50 000 cycles of operation

Keylock switch maintained action 25 000 cycles of operation

Keylock switch momentary action 50 000 cycles of operation

Electrical characteristics

Standards

The switches comply with the "Standards for low-voltage switching devices" DIN EN 60947-5-1

Rated Insulation Voltage U_i

500 VAC/600 VDC, as per DIN EN 60947-5-1

Electrical life

50 000 cycles of operations

Thermal current I_{th}

10 A

Switching voltage and switching current

as per EN IEC 60947-5-1

AC-15: 230 V, 7 A AC-15: 400 V, 5 A

AC-15: 500 V, 4 A DC-13: 24 V, 10 A

DC-13: 60 V, 5 A DC-13: 110 V, 2.5 A

Recommended minimum operational data

Gold-silver contacts:

Voltage 24 VDC 110 VDC

Current 5 mA 2 mA

Hard silver contacts:

Voltage 24 VDC 110 VDC

Current 50 mA 10 mA

Protection class

Indicators and switches, fit for mounting into devices with protection class II

Ambient conditions

Storage temperature

–40 °C ... +85 °C

Operating temperature

–40 °C ... +55 °C

(other temperatures on request)

Protection degree

IP00

Shock resistance

(single impacts, semi-sinusoidal)

300 m/s² pulse width 11 ms, as per EN IEC 60068-2-27

Vibration resistance

(sinusoidal)

100 m/s² at 10 Hz ... 500 Hz, amplitude 0.75 mm, as per

EN IEC 60068-2-6

Approvals

Approbations

CB (IEC 60947-5-1 ,IEC60947-5-5)
 CCC
 CSA
 DNV GL (previously Germanischer Lloyd)
 EAC
 NFF 16-102
 UL
 SEV (EN/IEC 60947-5-1, EN/IEC 60947-5-5)

Conformities

CE
 2014/35/EU (LVD)
 2011/65/EC (RoHS)

Snap-action switching element

Switching system

The double-break, snap-action switching element is equipped with one or two independent contact systems, acting as normally open or normally closed contact. The snap-action switching element is fitted with self-cleaning contacts.

Up to three switching elements can be snapped to each actuator.

Snap-action switching elements are not permissible for emergency-stop pushbuttons!

Material

Material of contact

Hard silver, gold-silver, silver-palladium (for aggressive atmospheres)

Switch housing

Plastic

Mechanical characteristics

Terminals

Screw terminals
 Plug-in terminals 6.3 x 0.8 mm
 Max. wire cross-section 2 x 2.5 mm²
 Max. wire cross-section of stranded cable 2 x 1.5 mm²
 For switches with plug-in terminals it is necessary to provide insulation sleeves and to maintain a spacing of 65 mm between rows (mounting cut-outs)

Tightening torque

Screws at the plastic mounting flange max. 0.4–0.5 Nm
 Screws at the metal mounting flange max. 0.25–0.3 Nm
 Screws at switching element max. 0.50 Nm

Actuating force

1 Normally closed 1.9 N
 1 Normally open 2 N

Actuating travel

Approx. 5.8 mm ± 0.2 mm

Mechanical lifetime

(with 1 switching element)

Pushbutton maintained action	1.5 million cycles of operation
Pushbutton momentary action	3 million cycles of operation
Selector switch maintained action	1.25 million cycles of operation
Selector switch momentary action	2.5 million cycles of operation
Keylock switch maintained action	25 000 cycles of operation
Keylock switch momentary action	50 000 cycles of operation

Electrical characteristics

Standards

The switches comply with the “Standards for low-voltage switching devices” DIN EN 60947-5-1

Rated Insulation Voltage U_i

500 VAC/600 VDC, as per DIN EN 60947-5-1

Electrical life

50 000 cycles of operations

Thermal current I_{th}

10 A

04 Technical data

Switching voltage and switching current

as per EN IEC 60947-5-1 ($\cos\varphi$ 0.3)

AC-15: 230V, 6A AC-15: 400V, 4A

AC-15: 500V, 2,5A DC-13: 24V, 10A

DC-13: 60V, 3A DC-13: 110V, 1A

Recommended minimum operational data

Gold-silver contacts:

Voltage 5VDC 24VDC 110VDC

Current 15mA 5mA 2mA

Hard silver contacts:

Voltage 24VDC 110VDC

Current 50mA 10mA

Protection class

Indicators and switches, fit for mounting into devices with protection class II

Ambient conditions

Storage temperature

-40 °C ... +85 °C

Operating temperature

-40 °C ... +55 °C

(other temperatures on request)

Protection degree

IP00

Shock resistance

(single impacts, semi-sinusoidal)

300 m/s² pulse width 11 ms, as per DIN EN 60068-2-27

Vibration resistance

(sinusoidal)

100 m3/s² at 10 Hz ... 500 Hz, amplitude 0.75 mm, as per

DIN EN 60068-2-6

Approvals

Approbations

CB (IEC 60947-5-1)

CCC

CSA

DNV GL (previously Germanischer Lloyd)

EAC

NFF 16-102

UL

SEV (EN/IEC 60947-5-1)

Conformities

CE

2014/35/EU (LVD)

2011/65/EC (RoHS)

Slow-make switching element PIT

Switching system

The double-break, slow-make switching element is equipped with one or two independent contact systems, acting as normally open or normally closed contact. The normally closed contact has forced opening.

Slow-make contacts with forced action are ideal for high switch ratings.

Up to three switching elements can be snapped to each actuator.

For the emergency-stop pushbutton use the slow-make switching element (max. 2).

Material

Material of contact

Hard silver and gold-silver

Switch housing

Plastic

Mechanical characteristics

Terminals

PIT push-in terminal

Skimming 8 mm

Wire cross-section:

Wire 0.2 to 1.0 mm²

Stranded wire 0.2 to 1.0 mm² without core and sleeve

Stranded wire 0.2 to 0.75 mm² with core and sleeve

Tightening torque

Screws at the mounting flange max. 0.4–0.5 Nm

Actuating force

1 Normally closed 2 N

1 Normally open 3.1 N

Actuating travel

approx. 5.8 mm ± 0.2 mm

Mechanical lifetime

(with 1 switching element)

Pushbutton maintained action 1.5 million cycles of operation

Pushbutton momentary action 3 million cycles of operation

Selector switch maintained action 1.25 million cycles of operation

Selector switch momentary action 2.5 million cycles of operation

Emergency-stop switch 50 000 cycles of operation

Keylock switch maintained action 25 000 cycles of operation

Keylock switch momentary action 50 000 cycles of operation

Electrical characteristics

Standards

The switches comply with DIN EN 60947-1/EN IEC 60947-5-1

Rated Insulation Voltage U_i

500 VAC/600 VDC, as per DIN EN 60947-5-1

Electrical life

50 000 cycles of operations

Thermal current I_{th}

6 A

Switching voltage and switching current

as per DIN EN 60947-5-1

AC-15: 230 V, 6 A

DC-13: 24 V, 10 A

DC-13: 60 V, 3 A

DC-13: 110 V, 1 A

Recommended minimum operational data

Gold-silver contacts:

Voltage 24 VDC

Current 5 mA

Hard silver contacts:

Voltage 24 VDC

Current 50 mA

Protection class

Indicators and switches, fit for mounting into devices with protection class II

Ambient conditions

Storage temperature

–40 °C ... +85 °C

Operating temperature

–40 °C ... +55 °C

(other temperatures on request)

Protection degree

IP20

Shock resistance

(single impacts, semi-sinusoidal)

300 m/s² pulse width 11 ms, as per DIN EN 60068-2-27

Approvals

Approbations

CB (IEC 60947-5-1, IEC 60947-5-5)

CCC

CSA

DNV GL (previously Germanischer Lloyd)

EAC

NFF 16-102

UL

SEV (EN 60947-5-1, EN 60947-5-5)

Conformities

CE

2014/35/EU (LVD)

2011/65/EC (RoHS)

04 Technical data

Snap-action switching element PIT

Switching system

The double-break, snap-action switching element is equipped with one or two independent contact systems, acting as normally open or normally closed contact. The snap-action switching element is fitted with self-cleaning contacts.

Up to three switching elements can be snapped to each actuator.

Snap-action switching elements are not permissible for emergency stop pushbuttons!

Material

Material of contact

Hard silver and gold-silver

Switch housing

Plastic

Mechanical characteristics

Terminals

PIT push-in terminal

Skinning 8 mm

Wire cross-section:

Wire 0.2 to 1.0 mm²

Stranded wire 0.2 to 1.0 mm² without core and sleeve

Stranded wire 0.2 to 0.75 mm² with core and sleeve

Tightening torque

Screws at the mounting flange max. 0.4–0.5 Nm

Actuating force

1 Normally closed 1.9 N

1 Normally open 2 N

Actuating travel

Approx. 5.8 mm ± 0.2 mm

Mechanical lifetime

(with 1 switching element)

Pushbutton maintained action 1.5 million cycles of operation

Pushbutton momentary action 3 million cycles of operation

Selector switch maintained action 1.25 million cycles of operation

Selector switch momentary action 2.5 million cycles of operation

Keylock switch maintained action 25 000 cycles of operation

Keylock switch momentary action 50 000 cycles of operation

Electrical characteristics

Standards

The switches comply with DIN EN 60947-1/DIN EN 60947-5-1

Rated Insulation Voltage U_i

500 VAC/600 VDC, as per DIN EN 60947-5-1

Electrical life

50 000 cycles of operations

Thermal current I_{th}

6 A

Switching voltage and switching current

as per DIN EN 60947-5-1

AC-15: 230 V, 6 A

DC-13: 24 V, 6 A

DC-13: 60 V, 3 A

DC-13: 110 V, 1 A

Recommended minimum operational data

Gold-silver contacts:

Voltage 24 VDC

Current 5 mA

Hard silver contacts:

Voltage 24 VDC

Current 50 mA

Protection class

Indicators and switches, fit for mounting into devices with protection class II

Ambient conditions

Storage temperature

–40 °C ... +85 °C

Operating temperature

–40 °C ... +55 °C

(other temperatures on request)

Protection degree

IP20

Shock resistance

(single impacts, semi-sinusoidal)

300 m/s² pulse width 11 ms, as per DIN EN 60068-2-27

Vibration resistance

(sinusoidal)

100 m/s² at 10 Hz ... 500 Hz, as per DIN EN 60068-2-6 and

EN 61373 Increased broad band noise, class 1B

Approvals

Approbations

CB (IEC 60947-5-1)
 CSA
 DNV GL (previously Germanischer Lloyd)
 EAC
 NFF 16-102
 UL
 SEV (EN/IEC 60947-5-1)

Conformities

CE
 2014/35/EU (LVD)
 2011/65/EC (RoHS)

Lamp block

Material

Housing
 Plastic

Mechanical characteristics

Terminals

Screw terminals
 Plug-in terminals 6.3 x 0.8mm
 Max. wire cross-section 2 x 2.5mm²
 Max. wire cross-section of stranded cable 2 x 1.5mm²
 For switches with plug-in terminals it is necessary to provide insulation sleeves and to maintain a spacing of 65mm between rows (mounting cut-outs)

Tightening torque

Screws at lamp block max. 0.5Nm

Electrical characteristics

Standards

The switches comply with DIN EN 60947-1/DIN EN 60947-5-1

Illumination

Voltage 250V max.
 Power 2.6W max.
 BA9s standard adaptable.

Ambient conditions

Storage temperature
 -40°C ... +85°C

Operating temperature
 -40°C ... +55°C
 (other temperatures on request)

Protection degree
 IP00

Shock resistance
 (single impacts, semi-sinusoidal)
 300m/s² pulse width 11ms, as per DIN EN 60068-2-27

Vibration resistance
 (sinusoidal)
 100m/s² at 10Hz ... 500Hz, as per DIN EN 60068-2-6 and EN 61373 Increased broad band noise, class 1B

04 Technical data

Lamp block PIT

Material

Housing
Plastic

Mechanical characteristics

Terminals

PIT push-in terminal
Skinning 8 mm
Wire cross-section:
Wire 0.2 to 1.0 mm²
Stranded wire 0.2 to 1.0 mm² without core and sleeve
Stranded wire 0.2 to 0.75 mm² with core and sleeve

Electrical characteristics

Standards

The switches comply with EN IEC 60947-1/EN IEC 60947-5-1

Illumination

Voltage 250 V max.
Power 2.6 W max.
BA9s standard adaptable.

Ambient conditions

Storage temperature
-40 °C ... +85 °C

Operating temperature
-40 °C ... +55 °C
(other temperatures on request)

Protection degree
IP20

Shock resistance
(single impacts, semi-sinusoidal)
300 m/s² pulse width 11 ms, as per DIN EN 60068-2-27

Vibration resistance
(sinusoidal)
100 m/s² at 10 Hz ... 500 Hz, as per DIN EN 60068-2-6 and
EN 61373 Increased broad band noise, class 1B

Dual lamp block

Material

Housing
Plastic

Mechanical characteristics

Terminals

PIT push-in-terminal
Strip length L = 8 mm

Wire cross section

Max. wire cross section 0.2 to 1.0 mm²
Max. wire cross section of stranded cable 0.2 to 0.75 mm² with
bootlace ferrules

Electrical characteristics

Lighting

Illuminant = 2 SMD-LEDs white

Operating voltages

24 VDC (-30 % / +25 %)
110 VDC (-30 % / +25 %)

Operating current
Typ. 8 mA

Ambient conditions

Storage temperature
-40 °C ... +85 °C

Operating temperature
-40 °C ... +60 °C
(other temperatures on request)

Degree of protection
IP20

Resistance to shock
500 m/s², pulse duration 11 ms, according to EN IEC 60068-2-27
(semi-sinusoidal)

Broadband noise
5.72 m/s² per axis, 5 h (duration), class 1B according to
DIN EN 61373

Approvals

Approbations
UL-94 V0
EN 45545

Buzzer

Buzzer

System

Piezo disc

Material

Buzzer case

Plastic

Front cap

Flush design

Aluminium black anodised

Aluminium natural anodised

Raised design

Plastic

Metal = nickel-plated brass (sea-water proof)

Mechanical characteristics

Terminals

Plug-in terminal 2.8 x 0.5 mm

Tightening torque

For fixing nut max. 0.25 Nm

Acoustic characteristics

Frequency (tone)

Approx. 2.8 kHz continuous tone only

Sound pressure

95 db (A) ±8 dB at a distance of 0.1 m

Electrical characteristics

Operation Voltage/Current

Operation Voltage 24VDC ±10 %

Operation Current ≤ 25 mA

Ambient conditions

Storage temperature

-40 °C ... +85 °C

Operating temperature

-40 °C ... +55 °C

(other temperatures on request)

Protection degree

As per DIN EN 60529, frontside

IP40, devices flush design

IP65, devices raised design

Approvals

Conformities

CE

2014/35/EU (LVD)

2011/65/EC (RoHS)

04 Technical data

Actuator

Material

Front ring

Polyamide, Aluminium or Stainless steel

Mounting flange

Plastic, metal

Actuator housing

Plastic

Mechanical characteristics

Actuating force

Mounting style square flush 6.2 N
Other mounting styles 8 N

Actuating travel

Approx. 5.8 mm ± 0.2 mm

Mechanical lifetime

(with 1 switching element)

Pushbutton	≤ 3 million cycles of operation
Selector switch	≤ 2.5 million cycles of operation
Stop switch	≤ 50 000 cycles of operation
Fool proofed E-stop	≥ 50 000 cycles of operation
Keylock switch	≤ 50 000 cycles of operation
Key insert switches	≤ 250 000 cycles of operation

Keylock switch

The standard lock number is 251, the last digit of the device Part No. = 0 (example: 704.335.0).

Additional lock numbers are available:

252 last digit = 1; 253 last digit = 2; 254 last digit = 3
255 last digit = 4, 256 last digit = 5; 257 last digit = 6
258 last digit = 7; 259 last digit = 8; 260 last digit = 9

Electrical characteristics

Standards

The switches comply with the "Rules for low-voltage switching devices" EN IEC 60947-5-1

Ambient conditions

Storage temperature

-40 °C ... +85 °C

Operating temperature

-40 °C ... +55 °C

(other temperatures on request)

Protection degree

As per EN IEC 60529

IP65 front side (IP65 and IP67 Key insert switch)

Kraus Naimer rotary selector switching element

Mechanical characteristics

Terminals

Screw terminals
Terminal lead material copper wires only
Max. permissible wire gage:
Single-core or stranded wire 2 x 1.5 mm² (2 x AWG 14)
Flexible wire 2 x 1.5 mm² (2 x AWG 16)

Tightening torque

For fixing nut max. 0.25 Nm

Number of stages

1 to 8 positions max.

Number of contacts

1 to 16 max. normally open contacts
(contact positioning according circuit drawing)

Switching angle

Basic position of switching position "A" is 9 o'clock

Maintained action	Switching angle
12 max.	30°
8 max.	45°
6 max.	60°
4 max.	90°

Momentary action with release 24°

(provide at the beginning or at the end)

Standard type of Kraus & Naimer

CG4 Hard Silver contacts with 1 µm Gold layer
CG4-1 Hard Silver contacts with 35 µm Gold layer

Electrical characteristics

Minimum Voltage
20V

Rated Impulse Withstand Voltage U_{imp}
4kV

Short Circuit Protection
Max. fuse size (gL-characteristic) 10A
Rated short-time withstand current (1s-current) 90A

Electrical characteristics for AC

Standards
The devices comply with: DIN EN 60947-3, VDE 0660 part 107

Rated Operational Voltage U_o
440V

Rated Insulation Voltage U_i
440V

Rated Thermal Current I_{th} / I_{th}
10A

Rated Operational Current I_o
AC-15 Switching of control devices, contactors, valves etc.

110V–120V	2.5A
220V–240V	2.5A
380V–440V	1.5A

No load operation
10A

AC-21A Switching of resistive loads, including moderate overloads
For switching of power > 1kW
10A

AC-22A Switching of combined resistive or low inductive loads including moderate overloads
220V–240V 10A

Rated Utilization Category
AC-2 Slip ring motor starting, reversing and plugging, star-delta starting 3 phase, 3 pole

220V–240V	2.5kW
380V–440V	4.5kW

AC-3 Direct-on-line starting, star-delta starting

3 phase, 3 pole	220V–240V	2.50kW
	380V–440V	2.20kW
1 phase, 2 pole	110V–120V	0.30kW
	220V–240V	0.55kW
	380V–440V	0.75kW

AC-Direct-on-line starting, reversing, plugging and inching

3 phase, 3 pole	220V–240V	0.37kW
	380V–440V	0.55kW
1 phase, 2 pole	110V–120V	0.15kW
	220V–240V	0.25kW
	380V–440V	0.50kW

AC-23A Frequent switching of motors or other high inductive loads

3 phase, 3 pole	220V–240V	1.80kW
	380V–440V	3.00kW
1 phase, 2 pole	110V–120V	0.37kW
	220V–240V	0.75kW
	380V–440V	1.10kW

Overvoltage category
III, valid for lines with grounded common neutral termination

Degree of pollution
3, valid for lines with grounded common neutral termination

Electrical characteristics for AC (UL/Canada)

Rated operational voltage
300V

Rated Insulation Voltage U_i
300V

Rated Thermal Current
10A

Ampere Rating
Resistive or low inductive loads, for switching of power > 1kW, 10A

Ratings
Standard motor load, DOL Rating (similar AC-3)

3 phase, 3 pole	110V–120V	0.75HP
	220V–240V	1.00HP
1 phase, 2 pole	110V–120V	0.33HP
	220V–240V	0.75HP
	277V–277V	0.75HP

Pilot Duty, Heavy
300VAC

04 Technical data

Electrical characteristics for DC

Switching voltage and switching current DC

Resistive loads $T \leq 1$ ms

Number of series contact(s)

1	2	3	4	5	6	8
24V	48V	70V	95V	120V	145V	190V
48V	95V	140V	190V	240V	290V	350V
60V	120V	180V	240V	300V	360V	450V
110V	220V	330V	440V	550V	660V	
220V	440V	660V				
440V	660V					

Switch capacity

10.0A
6.0A
2.5A
0.7A
0.3A
0.2A

Inductive loads $T = 50$ ms

Number of series contact(s)

1	2	3	4	5	6	8
24V	48V	70V	95V	120V	145V	190V
30V	60V	90V	120V	150V	180V	240V
48V	95V	140V	190V	240V	290V	350V
60V	120V	180V	240V	300V	360V	450V
110V	220V	330V	440V	550V	660V	

Switch capacity

6.0A
3.0A
1.0A
0.7A
0.3A

Ambient conditions

Operating temperature

Ambient Temperatures of Stages

open at 100 % I_u / I_{th}	55°C during 24h with peaks up to 60°C
enclosed at 100 % I_{the}	35°C during 24h with peaks up to 40°C

Santon rotary selector switching element

Mechanical characteristics

Terminals

Screw terminals

Terminal lead material copper wires only

Max. wire gauge:

Single or multi-wire 2 x 1.5 mm² (2 x AWG 12)

Fine wire 2 x 1.5 mm² (2 x AWG 12)

Min. wire gauge:

Single or multi-wire 2 x 0.5 mm² (2 x AWG 20)

Fine wire 2 x 0.5 mm² (2 x AWG 20)

Tightening torque

For fixing nuts max. 0.5 Nm

Number of stages

1 to 8 stages max.

Number of contacts

1 to 16 closing contacts

(contacts positioning according to wiring diagram)

Switching angle

Basic position of switching position "A" is 9 o'clock

Maintained action switching angle

12 max. 30°

8 max. 45°

6 max. 60°

4 max. 90°

Momentary action with release 30°

Standard type of Santon

F1V Hard Silver contacts Gold plated

Electrical Characteristics

Minimum Voltage

20V

Rated Impulse Withstand Voltage U_{imp}

4KV

Short Circuit Protection

Max. fuse size (gL-characteristics)

25 KA => 16A

10 KA => 20A

Rated short-time withstand current (1s-current) 250A

Electrical Characteristics for AC

Standards

The devices comply with: IEC 60947, IEC 60204, DIN EN 61058, UL508, C22.2 No.14

Rated Operational Voltage U_o

480 V

Rated Insulation Voltage U_i

480 V

Rated Operational Current I_o

AC-15 switching of control devices, contractors, valves, etc.

220V – 230V 8 A

380V – 440V 6 A

AC-20A no load operation

20A

AC-21A Switching of resistive loads, including moderate overloads for switching of power > 1 kW

20 A

AC-23 Switching of motors or other high-inductive loads

3-phase, 3-pole	220V – 230V	5,00 kW
	380V – 440V	7,50 kW
1-phase, 2-pole	220V – 230V	2,50 kW
	380V – 440V	3,70 kW

Related Utilization Category

AC-3 Direct starting of squirrel-cage induction motors, switching off during the starting, star-delta starting

3-phasing, 3-polig	220V – 240V	3,00 kW
	380V – 440V	5,00 kW
1-phasing, 2-polig	220V – 230V	2,20 kW
	380V – 440V	3,00 kW

Degree of pollution

3, valid for lines with grounded common neutral termination

Electrical characteristics for AC (UL/Canada)

Rated operational voltage

300V

Rated Insulation Voltage U_i

300V

Rated Thermal Current

15A

Ampere Rating

Resistive or low inductive loads, for switching of power > 1 kW, 15A

Ratings

Standard motor load, DOL Rating (similar to AC-3)

3-phase, 3-pole	220V – 240V	3.00 HP
-----------------	-------------	---------

Electrical characteristics for DC

Switching voltage and switching current DC

Resistive loads $T \leq 1$ ms DC 21

Number of series contact(s)

1	2	5	8	Switch capacity
24 V	110 V	220 V	440 V	20.0 A
48 V				20.0 A
60 V				20.0 A
110 V				4.0 A
220 V				0.7 A
440 V				0.25 A

Inductive Loads $T = 50$ ms DC13

Number of series contact(s)

1	2	3	6	8	Switch capacity
24 V	48 V	60 V	110 V	220V	20.0 A
48 V					16.0 A
60 V					12.0 A
110 V					1.0 A
220 V					0.4 A
440 V					0.15 A

Ambient conditions

Operating Temperature

Ambient Temperature of Stages

-25 °C ... +55 °C

Shock resistance

(single impact, semi-sinusoidal)

300m/s² pulse width 11 ms, as per DIN EN 600068-2-27

Fire Protection norms

EN 45545

04 Technical data

Flasher

Material

Housing
Plastic, in accordance with UL 94 V0

Ambient conditions

Operating temperature
0° ... +50 °C

Protection degree
Rear side IP30

Mechanical characteristics

Terminals
Screw terminal

Electrical characteristics

Flasher frequency
1.5 Hz

Relative duty factor
Approx. 50 %

Emergency call switch

Material

Lens
Aluminium red

Front bezel
Aluminium natural

Ambient conditions

Storage temperature
-40 °C ... +85 °C

Operating temperature
-40 °C ... +55 °C

Protection degree
IP65 front side

Mechanical characteristics

Terminals
Screw terminal
Max. wire cross-section 2 x 2.5 mm²
Max. wire cross-section of stranded cable 2 x 1.5 mm²

Mechanical lifetime
As per IEC 337-1/2
50 000 cycles of operation with 1 switching element

Switching element
Snap-action switching element

Approvals

Approbations
SEV
CSA
UL
ENEC
DNV GL (previously Germanischer Lloyd)
CB

Conformities
CE

EAO reserves the right to alter specifications without further notice.

General notes

1. Engraving

In addition to the most commonly used world languages, in DIN1451-3 close spacing, other typefaces are available as Scandinavian, Slavic, Greek, Russian and Polish. Red, blue and black lenses are filled with white colour. Other colour lenses are filled in black. Standard height of letters is 3 mm. If the height is not specified, we will supply 3 mm engraved letters.

2. Hot stamping

For larger series it is worth considering markings by means of hot stamping. We will be pleased to advise you. For letters and figures, typefaces with 2.5 mm, 3 mm and 4 mm are available.

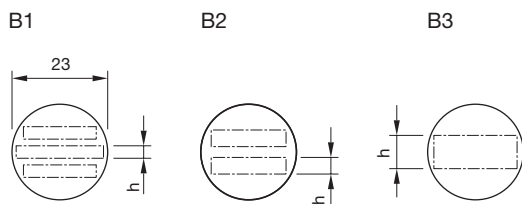
3. Film inserts

Instead of using engraving the square lenses can be fitted with film inserts, as an alternative. Film thickness is 0.25 mm. Max. film size: for Indicator 24.5 x 24.5 mm, for illuminated pushbutton 21.5 x 21.5 mm.

Engraving marking cap for Indicator round, full face illumination

All dimensions in mm

Height of text cap	Height of letters h	Number of lines	Number of capital letters per line (guide value)	Number of lowercase letters per line (guide value)	Picture
Text cap (Ø 23)	3	3	8-9	9-10	B1
	4	3	5-7	6-8	B1
	8	3	-	-	B1
	3	2	8	9	B2
	4	2	5	6	B2
	8	2	2	2	B2
	3	1	9	10	B3
	4	1	7	8	B3
	8	1	3	3-4	B3



The gap between two words results in each case a letter less.

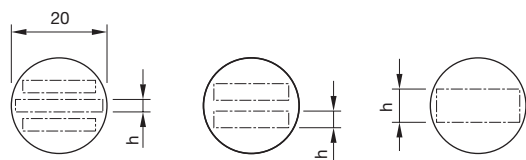
04 Marking

Engraving marking plate for Indicator and illuminated Pushbutton round, front illumination

All dimensions in mm

Height of marking plate	Height of letters h	Number of lines	Number of capital letters per line (guide value)	Number of lowercase letters per line (guide value)	Picture
Marking plate (Ø 20)	3	3	6-8	7+9	B1
	4	3	5-6	6-7	B1
	8	3	-	-	B1
	3	2	6	7	B2
	4	2	5	6	B2
	8	2	1	2	B2
	3	1	8	9	B3
	4	1	6	7	B3
	8	1	3	3	B3

B1 B2 B3

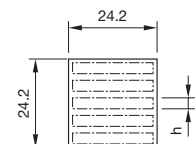


The gap between two words results in each case a letter less.

Engraving diffusor cap for Indicator square, full face illumination

All dimensions in mm

Height of letters h	Number of lines	Number of capital letters per line (guide value)	Number of lowercase letters per line (guide value)
2.5	6	12	13
3.0	5	10	11
4.0	4	7	8
5.0	3	6	7
6.0	3	5	5-6
8.0	2	4	4-5

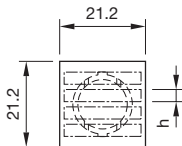


The gap between two words results in each case a letter less.

Engraving lens holder for Indicator and Illuminate Pushbutton square, front illumination

All dimensions in mm

Height of letters h	Number of lines	Number of capital letters per line (guide value)	Number of lowercase letters per line (guide value)
2.5	5	10	11
3.0	5	9	9-10
4.0	4	6	7
5.0	3	5	6
6.0	1	4	4-5
8.0	2	2-3	3



The gap between two words results in each case a letter less.

Important: Consider lens holder mounting orientation before specifying engraving characters!

Engraving legend plates

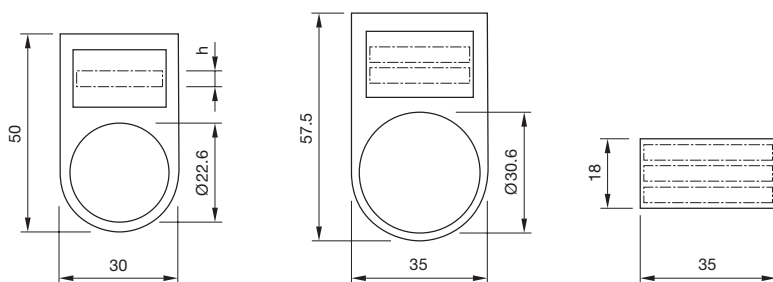
All dimensions in mm

Dimension	Devices mounting style	Height of letters h	Number of lines	Number of capital letters per line (guide value)	Number of lowercase letters per line (guide value)	Picture
30 x 50	round, raised	3	2	10	11	B1
		4	1	7	8	B1
		8	1	3	4	B1
35 x 57.5	round, flush	3	2	10	11	B2
		4	1	7	8	B2
		8	1	3	4	B2
18 x 35	square, flush	3	3	15	16	B3
		4	2	10	12	B3

B1

B2

B3








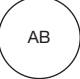





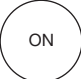






The gap between two words results in each case a letter less.

04 Marking









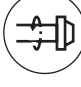


















Standard texts for marking plates and marking caps for Indicator and Illuminated Pushbutton

Height of letters 6 mm

 I Part No. 704.609.912001	 II Part No. 704.609.912002	 III Part No. 704.609.912003	 O Part No. 704.609.912004
 EIN Part No. 704.609.912005	 AUS Part No. 704.609.912006	 AUF Part No. 704.609.912007	 AB Part No. 704.609.912008
 START Part No. 704.609.912009	 STOP Part No. 704.609.912010	 HAND Part No. 704.609.912011	 AUTO Part No. 704.609.912012
 ZU Part No. 704.609.912013	 ON Part No. 704.609.912014	 OFF Part No. 704.609.912015	 ARRET Part No. 704.609.912016
 MARCHE Part No. 704.609.912017	 RESET Part No. 704.609.912018		

Symbols for marking plates and marking caps for Indicator and Illuminated Pushbutton

All marking plates with the printed article-numbers are available for flat lenses, marking cap only on request.

 Part No. 704.609.910001 Direction of linear rectilinear motion (also for → ↓↑)	 Part No. 704.609.910002 Linear motion in 2 directions (also for ↓)	 Part No. 704.609.910004 Limited linear motion (also for ← ↓↑)	 Part No. 704.609.910007 Direction of continuous rotation (right)
 Part No. 704.609.9100071 Direction of continuous rotation (left)	 Part No. 704.609.910008 Rotation in 2 directions	 Part No. 704.609.910009 Direction of interrupted rotation (right)	 Part No. 704.609.910010 Limited rotation (right)
 Part No. 704.609.9100101 Limited rotation (left)	 Part No. 704.609.910013 Direction of spindle rotation	 Part No. 704.609.910026 Rapid traverse	 Part No. 704.609.910028 Increase of value (speed, for instance)
 Part No. 704.609.910029 Decrease of value (speed, for instance)	 Part No. 704.609.910041 Electric motor	 Part No. 704.609.910048 Pump (general symbol)	 Part No. 704.609.9100631 Lock or tighten
 Part No. 704.609.9100632 Lock or tighten	 Part No. 704.609.9100641 Unlock, unclamp	 Part No. 704.609.9100642 Unlock, unclamp	 Part No. 704.609.910065 Brake on
 Part No. 704.609.910066 Brake off	 Part No. 704.609.910067 Automatic (or semi-automatic) cycle	 Part No. 704.609.910068 Hand control	 Part No. 704.609.910069 Start, on
 Part No. 704.609.910070 Stop, off	 Part No. 704.609.910071 Start and stop with same button	 Part No. 704.609.910072 In action as long as button is operated	 Part No. 704.609.910074 Engaging (mechanical start)
 Part No. 704.609.910075 Disengaging (mechanical stop)	 Part No. 704.609.910092 Danger (high voltage)!	 Part No. 704.609.910093 Caution!	 Part No. 704.609.910101 Coolant fluid
 Part No. 704.609.910102 Machine lighting	 Part No. 704.609.910108 Blast		

04 Marking

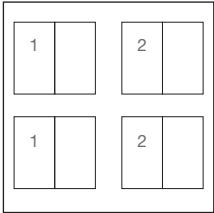
Terminal Markings

We supply the switch elements with terminal marking labels inserted, the figures always being visible for the first element (immediately following the actuator). Therefore, when two switch elements are used, these inserts have to be turned for the second element. Then the numbers appear as described under III.

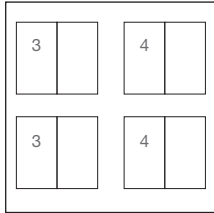
If more than two switch elements are used, this should be noted on your order, in order that we may insert and deliver the marking labels accordingly.

I. Consecutive numbering of switch systems (2 per switch element)

First switch element



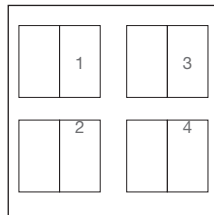
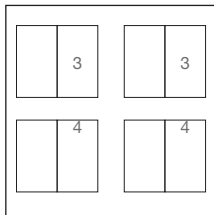
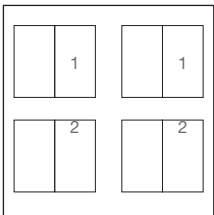
Second switch element



When more than 2 switch elements are used, the numbering is sequenced accordingly (5, 6 etc.).

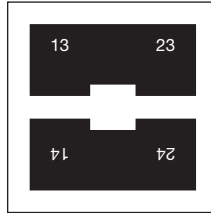
II. Marking of normally closed contact, normally open contact and their combinations

Normally closed (1–2) Normally open (3–4) Normally closed/
open

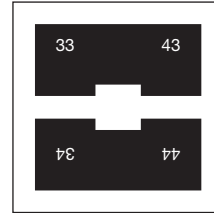


III. Example of the correct insertion of the labels for 2 switch elements with normally open contacts

First switch element



Second switch element



Labels for normally closed and normally closed/normally open contacts should be inserted accordingly.

Suppressor circuits

When switching inductive loads such as relays, DC motors, and DC solenoids, it is always important to absorb surges (e.g. with a diode) to protect the contacts. When these inductive loads are switched off, a counter emf can severely damage switch contacts and greatly shorten lifetime.

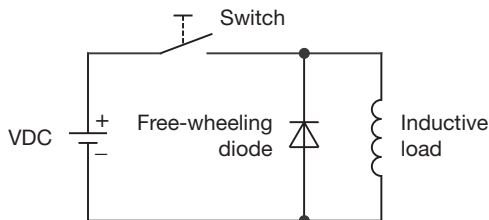
Fig. 1 shows an inductive load with a free-wheeling diode connected in parallel. This free-wheeling diode provides a path for the inductor current to flow when the current is interrupted by the switch. Without this free-wheeling diode, the voltage across the coil will be limited only by dielectric breakdown voltages of the circuit or parasitic elements of the coil. This voltage can be kilo-

volts in amplitude even when nominal circuit voltages are low (e.g. 12VDC) see Fig. 2.

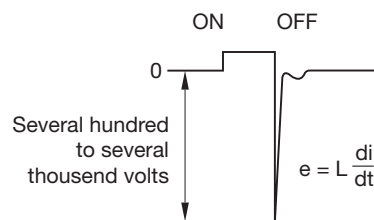
The free-wheeling diode should be chosen so that the reverse breakdown voltage is greater than the voltage driving the inductive load. The DC blocking voltage (V_R) of the free-wheeling diode can be found in the datasheet of a diode. The forward current should be equal or greater than the maximum current flowing through the load.

To get an efficient protection, the free-wheeling diode must be connected as close as possible to the inductive load!

Switching with inductive load
Fig. 1



Counter EMF
over load without free-wheeling diode
Fig. 2



- 01
- 02
- 03
- 04**
- 09
- 14
- 17
- 18
- 19
- 22
- 31
- 41
- 45
- 51
- 56
- 57
- 61
- 70
- 71
- 82
- 84
- 92
- 96

Mouser Electronics

Authorized Distributor

Click to View Pricing, Inventory, Delivery & Lifecycle Information:

EAO:

[704.011.018](#) [704.000.2](#) [704.207.5](#) [704.012.018A](#) [704.989.256](#) [704.095.0D28](#) [EUS-704.02-5097X](#) [704.101.018KNI](#)
[704.900.4B](#) [704.230.508](#) [704.092.0I](#) [EUS-704.02-5090X](#) [EUS-704.01-5674](#) [EUS-704.01-2193](#) [704.903.1](#)
[704.611.0](#) [EUS-704.02-1693](#) [EUS-704.01-5295](#) [EUS-704.03-2065](#) [704.410.0I](#) [704.963.22](#) [704.012.318A](#)
[704.042.618](#) [704.094.0I](#) [704.259.7](#) [704.206.600](#) [704.927.6](#) [704.911.4/DFS](#) [704.006.318](#) [704.012.218A](#)
[704.411.010.12](#) [704.012.2A](#) [704.601.81](#) [704.963.20](#) [EUS-704.01-11696](#) [EUS-704.01-11695](#) [EUS-704.01-9695](#)
[704.012.518A](#) [704.012.5A](#) [704.010.618](#) [704.210.608](#) [704.229.700](#) [EUS-704.03-4106](#) [704.911.4BFS](#) [704.910.4BFS](#)
[704.601.91](#) [704.062.6](#) [704.011.418](#) [704.259.200](#) [704.910.4B](#) [704.915.4/DFS](#) [EUS-704.000.2](#) [EUS-704.000.3](#)
[EUS-704.000.4](#) [EUS-704.000.5](#) [EUS-704.000.6](#) [EUS-704.000.7](#) [EUS-704.200.2](#) [EUS-704.200.3](#) [EUS-704.200.4](#)
[EUS-704.200.5](#) [EUS-704.200.6](#) [EUS-704.200.7](#) [EUS-704.03-7044](#) [EUS-704.03-7062](#) [EUS-704.03-7065](#) [EUS-](#)
[704.03-7066](#) [EUS-704.03-7067](#) [EUS-704.071.2](#) [EUS-704.03-7002](#) [EUS-704.03-7003](#) [EUS-704.03-7004](#) [EUS-](#)
[704.03-7005](#) [EUS-704.03-7006](#) [EUS-704.03-7007](#) [EUS-704.03-5265](#) [EUS-704.03-5267](#) [EUS-704.03-6002](#) [EUS-](#)
[704.03-6007](#) [EUS-704.03-6067](#) [EUS-704.03-7000](#) [EUS-704.03-5206](#) [EUS-704.03-5207](#) [EUS-704.03-5244](#) [EUS-](#)
[704.03-5245](#) [EUS-704.03-5262](#) [EUS-704.03-5264](#) [EUS-704.03-5165](#) [EUS-704.03-5166](#) [EUS-704.03-5167](#) [EUS-](#)
[704.03-5202](#) [EUS-704.03-5203](#) [EUS-704.03-5205](#) [EUS-704.03-5106](#) [EUS-704.03-5107](#) [EUS-704.03-5144](#) [EUS-](#)
[704.03-5162](#) [EUS-704.03-5163](#) [EUS-704.03-5164](#) [EUS-704.03-4265](#)