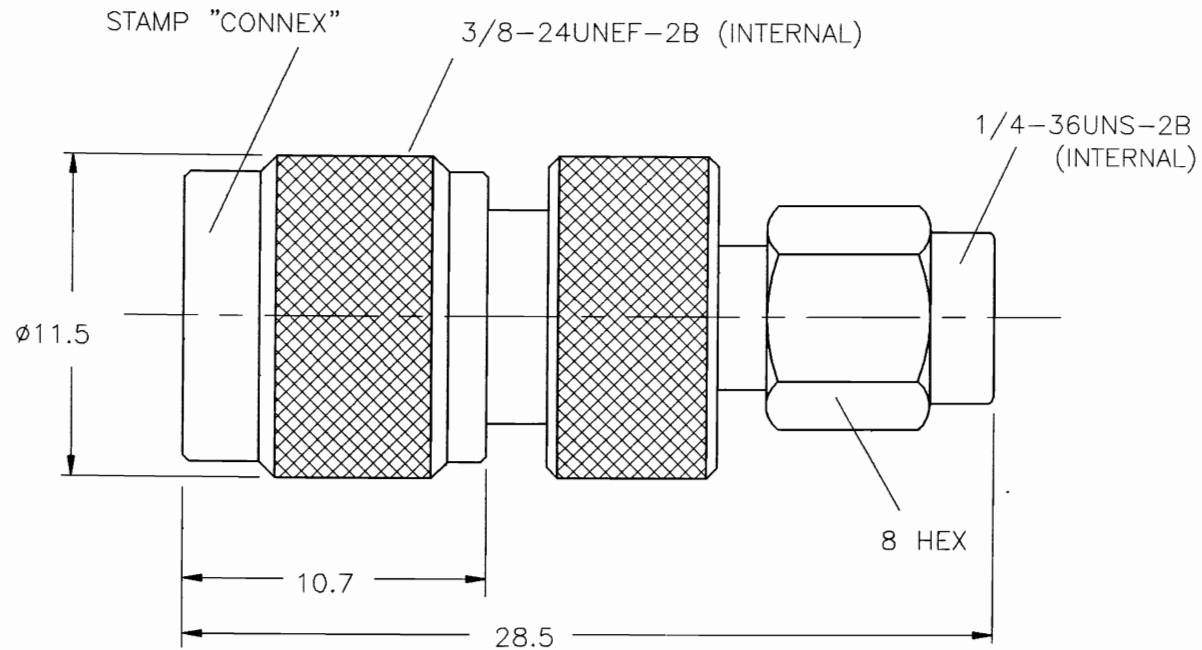



| | | |
|------|--------|-----------------|
| REV. | DATE | DESCRIPTION |
| NC | 1/8/97 | INITIAL RELEASE |



| DESCRIPTION | MATERIAL | FINISH | DIMENSIONS ARE IN MILLIMETERS UNLESS OTHERWISE SPECIFIED TOLERANCES ARE: | APPROVALS | DATE |  | | | | |
|---------------|----------|---------|---|----------------------|--------|---|---|----------|------------|--------|
| 1 BODY | BRASS | NICKEL | 0.5-6 = ± 0.2 6-30 = ± 0.4 30-120 = ± 0.6 120-315 = ± 1 315-1000 = ± 1.6 1000-2000 = ± 2.4 | DRAWN | G.R.S. | 1/8/97 | TITLE SMA MALE TO MINI-UHF MALE ADAPTOR | | | |
| 2 CONTACT PIN | BRASS | GOLD | | CHECKED | | | | | | |
| 3 INSULATOR | TEFLON | NATURAL | | ISSUED | | | SIZE | FSCM NO. | DWG. NO. | REV. |
| 4 | | | | | | | A | 99001 | 242118.DWG | NC |
| 5 | | | | | | | SCALE | 4:1 | PART NO. | 242118 |
| 6 | | | | | | | SHEET | | 1 OF 1 | |
| 7 | | | | | | | | | | |
| 8 | | | | DO NOT SCALE DRAWING | | | | | | |

Mouser Electronics

Authorized Distributor

Click to View Pricing, Inventory, Delivery & Lifecycle Information:

[Amphenol:](#)

[242118](#)