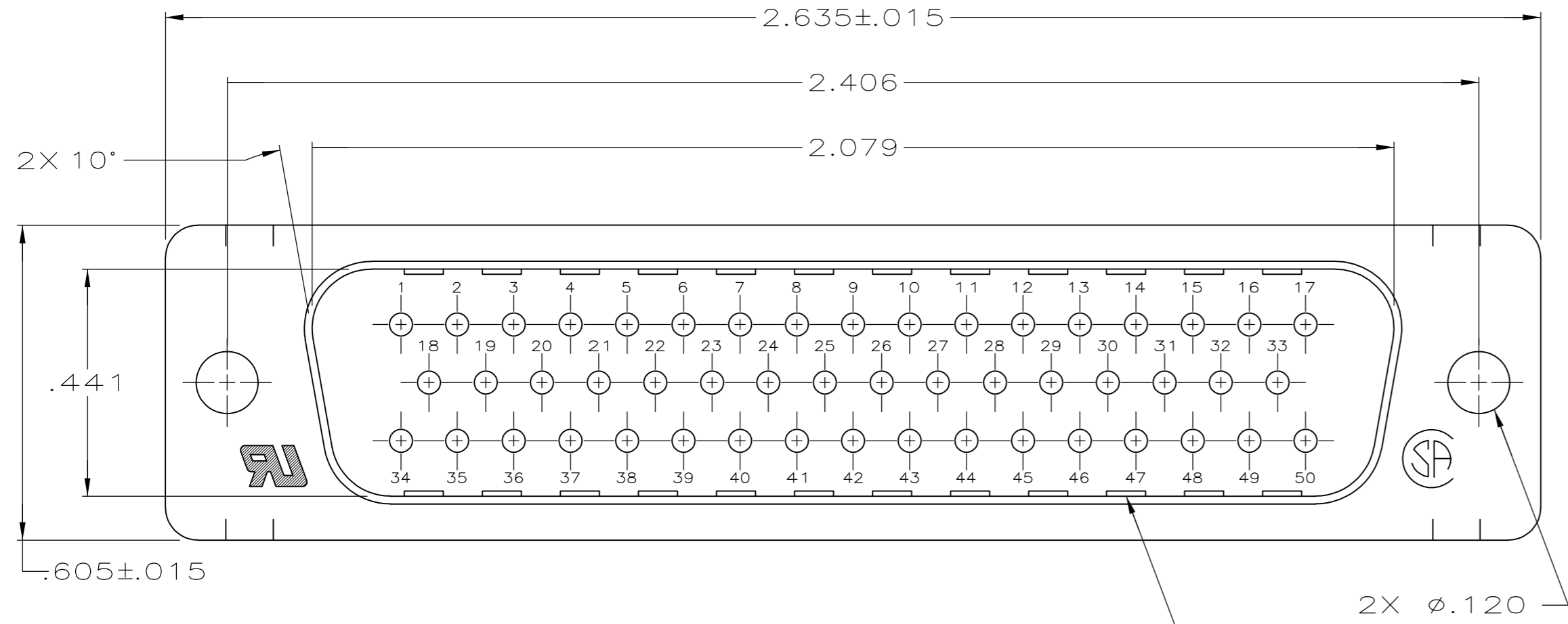
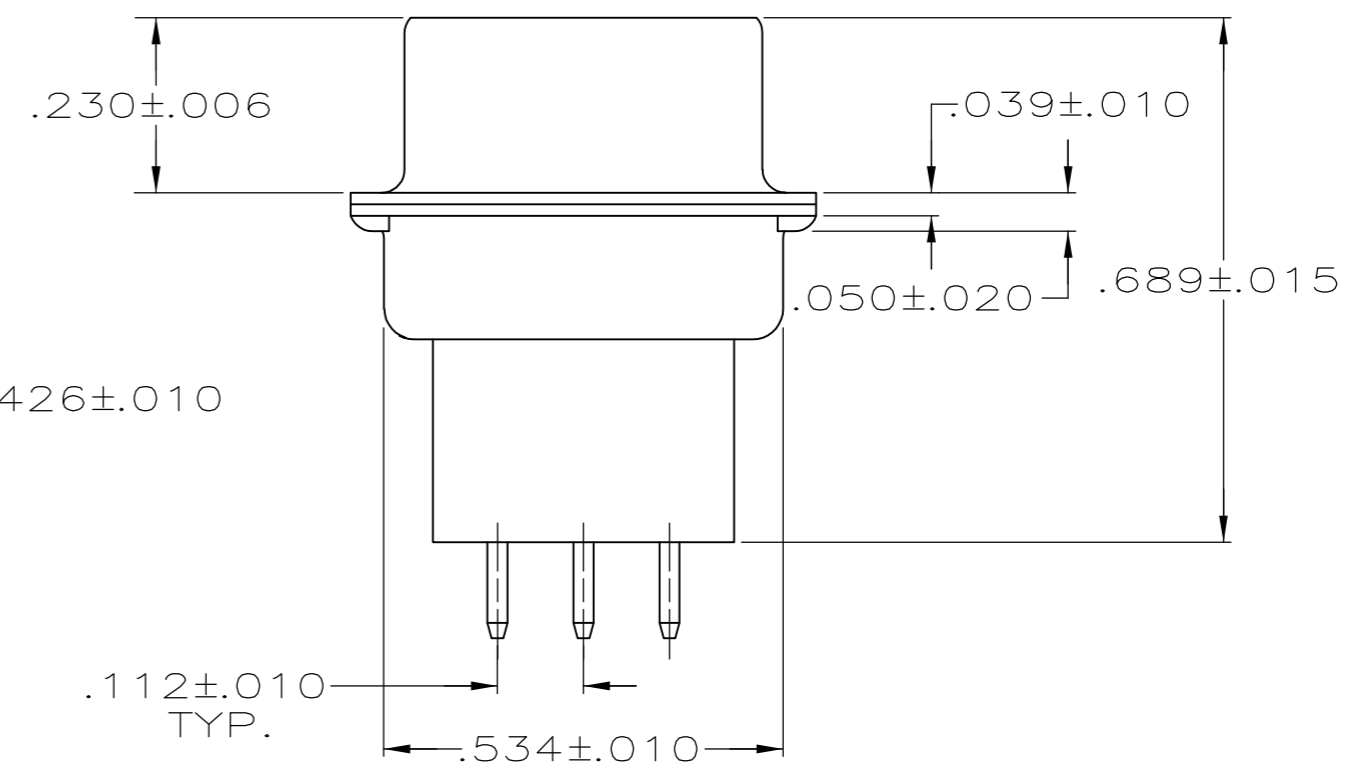
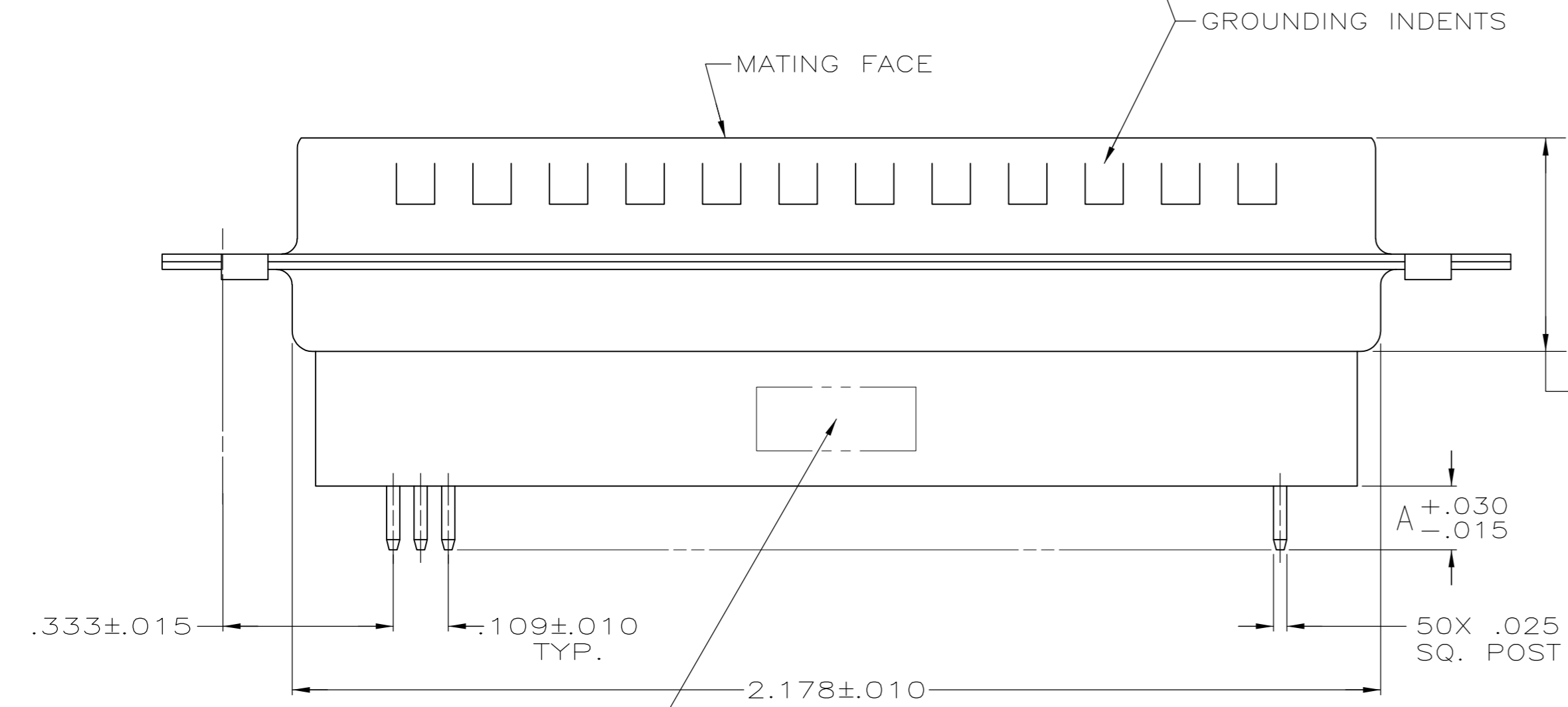


THIS DRAWING IS UNPUBLISHED. RELEASED FOR PUBLICATION  
 © COPYRIGHT BY TYCO ELECTRONICS CORPORATION. ALL RIGHTS RESERVED.

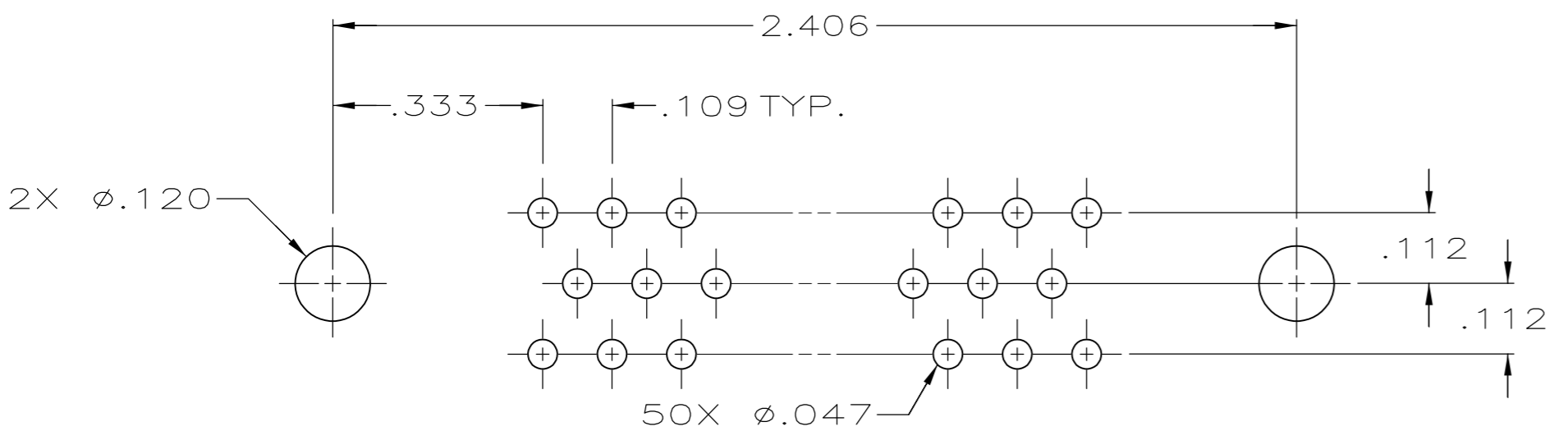
LOC		DIST		REVISIONS			
GP	00	P	LTR	DESCRIPTION	DATE	DWN	APVD
		K		REVISED PER ECO-10-000073	20FEB2010	CJV	SB



1. NOTE DELETED.
- ⚠️ MOLDED PARTS: FLAME RETARDANT 94V-0 RATED THERMOPLASTIC; COLOR, BLACK  
CONTACT: BRASS  
SHELLS: STEEL
- ⚠️ GOLD FLASH FOR A LENGTH OF .150 MIN FROM MATING END .000100 MIN TIN-LEAD ON OPPOSITE END, ALL OVER 1.27 MIN NICKEL.
- ⚠️ GOLD PLATED FOR A LENGTH OF .150 FROM MATING END, .000030 MIN GOLD IN MATED AREA, .000100 MIN TIN-LEAD FOR ON OPPOSITE END, ALL OVER .000050 MIN NICKEL.  
-OR-  
GOLD FLASH OVER PALLADIUM-NICKEL PLATED FOR LENGTH OF .150 MIN FROM MATING END, .000030 MIN TOTAL IN MATED AREA, .000100 MIN TIN-LEAD ON OPPOSITE END, ALL OVER .000050 MIN NICKEL.
- ⚠️ OBSOLETE.
- ⚠️ .000200 MIN TIN OVER .000100 MIN COPPER.



"AMP", PART NO. & DATE CODE, STAMPED IN AREA INDICATED, ON FAR SIDE



P.C. BOARD MOUNTING DIMENSIONS

⚠️	⚠️	.188	745414-8
	⚠️	.188	745414-7
⚠️	⚠️	.651	745414-6
⚠️	⚠️	.651	745414-5
⚠️	⚠️	.427	745414-4
⚠️	⚠️	.427	745414-3
SUPSD BY 745414-1		⚠️	.125 745414-2
	⚠️	.125	745414-1
CONTACT FINISH	DIMENSION A	PART NUMBER	

THIS DRAWING IS A CONTROLLED DOCUMENT.

DWN	J.GERACE	10-25-83	Tyco Electronics Corporation Harrisburg, PA 17105-3608
CHK	J.GERACE	10-25-83	
APVD	B. TAYLOR	1-04-84	
NAME	PLUG ASSEMBLY, SIZE 5, 50 POSN, VERTICAL, .025 SQ. POSTS, W/ GROUNDING INDENTS, AMPLIMITE HDP		
DIMENSIONS: INCHES	TOLERANCES UNLESS OTHERWISE SPECIFIED:	PRODUCT SPEC	108-40025
	0 PLC ± -	APPLICATION SPEC	114-40013
	1 PLC ± -	SIZE	A2
	2 PLC ± -	CAGE CODE	00779
	3 PLC ± .005	DRAWING NO	C=745414
	4 PLC ± -	RESTRICTED TO	-
	ANGLES ± 2°	SCALE	NTS
MATERIAL	FINISH	WEIGHT	-
	SHELLS: ⚠️	CUSTOMER DRAWING	SHEET 1 of 1
	CONTACTS: SEE TABLE	REV	K

# Mouser Electronics

Authorized Distributor

Click to View Pricing, Inventory, Delivery & Lifecycle Information:

[TE Connectivity:](#)

[745414-1](#)