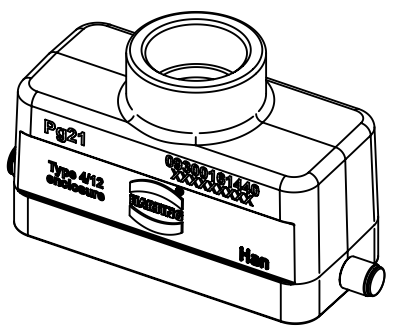
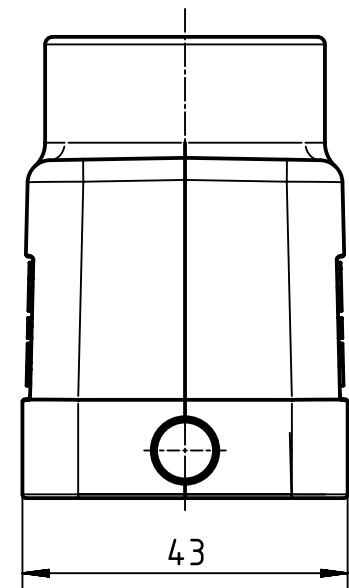
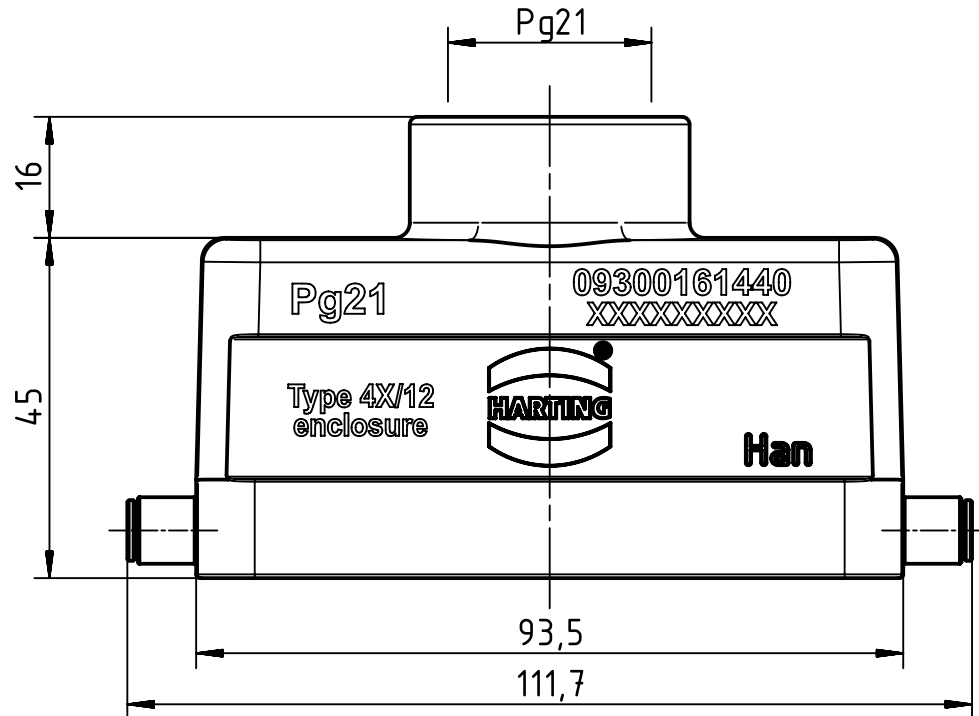


A

B

C

D



	All Dimensions in mm Original Size DIN A4		Scale 1:1	Free size tol.		Ref.
						Sub.
	All rights reserved		Created by FINKEV	Inspected by BERGHORN	Standardisation TIEMANNA	Date 2017-01-17
	Department EL PD - DE		Title Han B Hood Top Entry LC 2 Reels PG 21			State Final Release
HARTING Electric GmbH & Co. KG D-32339 Espelkamp			Type TB	Number 09 30 016 1440		Doc-Key / ECM-Nr. 100192807/UGD/004/B 500000111912
					Rev. B	Page 1/1

# Mouser Electronics

Authorized Distributor

Click to View Pricing, Inventory, Delivery & Lifecycle Information:

[HARTING:](#)

[09300161440](#)