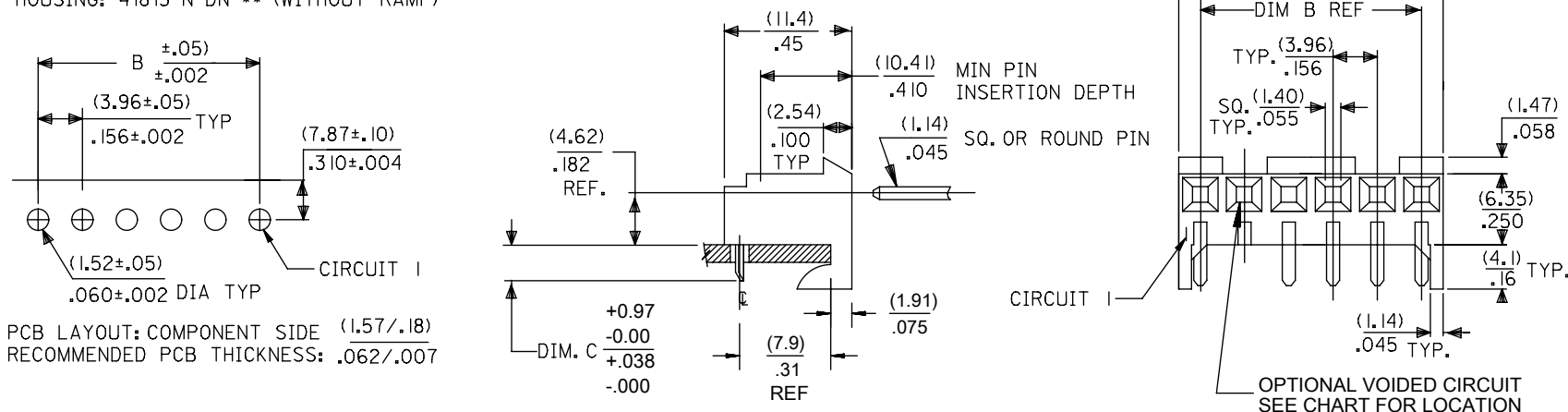


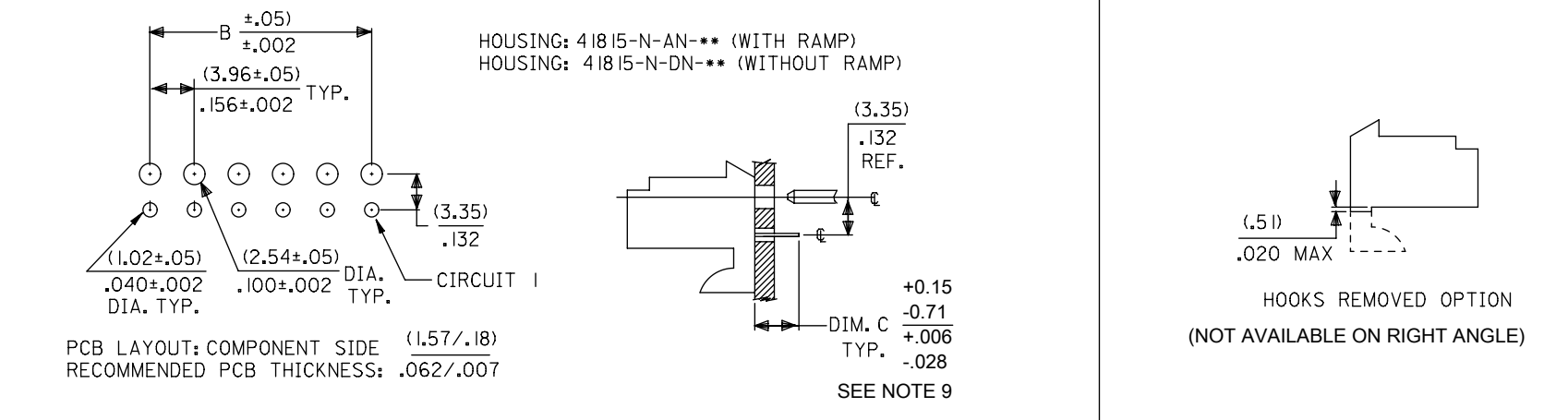
RIGHT ANGLE

HOUSING: 41815-N-AN-*** (WITH RAMP)
 HOUSING: 41815-N-DN-*** (WITHOUT RAMP)



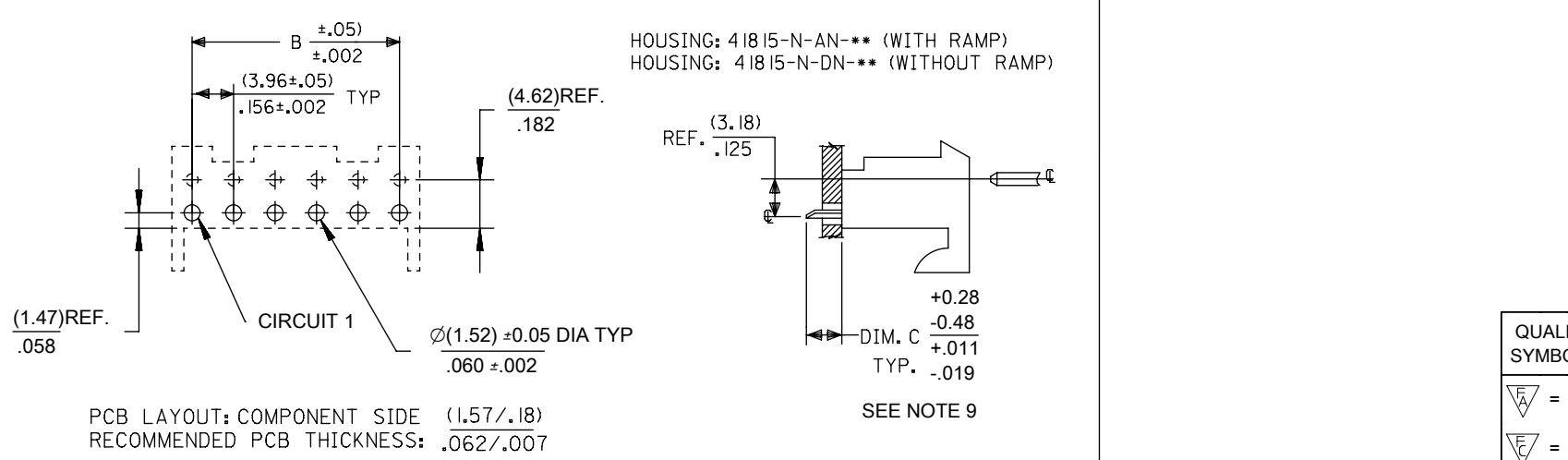
BOTTOM ENTRY

HOUSING: 41815-N-AN-*** (WITH RAMP)
 HOUSING: 41815-N-DN-*** (WITHOUT RAMP)



TOP ENTRY

HOUSING: 41815-N-AN-*** (WITH RAMP)
 HOUSING: 41815-N-DN-*** (WITHOUT RAMP)



| DIM. B | DIM. A | NO. OF CKTS |
|---------|-------------|-------------|
| (3.96) | (7.82±.25) | 2 |
| .156 | .308±.010 | 2 |
| (7.92) | (11.79±.25) | 3 |
| .312 | .464±.010 | 3 |
| (11.89) | (15.75±.25) | 4 |
| .468 | .620±.010 | 4 |
| (15.85) | (19.71±.25) | 5 |
| .624 | .776±.010 | 5 |
| (19.81) | (23.67±.25) | 6 |
| .780 | .932±.010 | 6 |
| (23.77) | (27.64±.30) | 7 |
| .936 | 1.088±.012 | 7 |
| (27.74) | (31.60±.25) | 8 |
| 1.092 | 1.244±.012 | 8 |
| (31.70) | (35.56±.30) | 9 |
| 1.248 | 1.400±.012 | 9 |
| (35.66) | (39.52±.30) | 10 |
| 1.404 | 1.556±.012 | 10 |
| (39.62) | (43.48±.30) | 11 |
| 1.560 | 1.712±.012 | 11 |
| (43.59) | (47.45±.30) | 12 |
| 1.716 | 1.868±.012 | 12 |
| (47.55) | (51.41±.30) | 13 |
| 1.872 | 2.024±.012 | 13 |
| (51.51) | (55.37±.36) | 14 |
| 2.028 | 2.180±.014 | 14 |
| (55.47) | (59.33±.36) | 15 |
| 2.184 | 2.336±.014 | 15 |

- NOTES:
- MATERIAL: HOUSING: POLYESTER, RATED UL 94V-0, COLOR: NATURAL (WHITE)
 - FINISH:
 - (197) = OVERALL REFLOWED MATTE TIN: 0.00152/.000060 MIN OVER 0.00127/.000050 MIN NICKEL.
 - (208) = SELECT GOLD: 0.00038/.000015 MIN, SELECT TIN: 0.00254/.000100 MIN, OVERALL NICKEL UNDERPLATE: 0.00127/.000050 MIN.
 - (228) = SELECT GOLD: 0.00076/.000030 MIN, SELECT TIN: 0.00254/.000100 MIN, OVERALL NICKEL UNDERPLATE: 0.00127/.000050 MIN.
 - (909) = OVERALL TIN: 0.00254/.000100 MIN.
 - PRODUCT SPECIFICATION: PS-08-50
 - PACKAGING: SEE CHARTS
 - FOR TOP ENTRY AND RIGHT ANGLE ASSEMBLIES WITH LOWER INSERTION FORCE USE SINGLE BEAM CONTACT. (TERMINAL NO. 4244)
 - SOLDERABILITY: WHEN PARTS ARE SOLDERED AT A TEMPERATURE OF 230°C (446°F) FOR 5 SECONDS EACH SOLDERED SURFACE SHALL BE A MINIMUM OF 95% COVERED WITH A SMOOTH CONTINUOUS ADHERENT COATING. FOR ADDITIONAL INFORMATION SEE SMES-152.
 - PARTS ARE STACKABLE END TO END ON (3.96)/.156 CENTERLINE.
 - THIS PART CONFORMS TO CLASS B REQUIREMENTS OF COSMETIC SPEC PS-45499-002.
 - DIMENSION 'C' MEASURED WITH TERMINAL PUSHED IN AGAINST THE STOP.

THIS DRAWING CONTAINS INFORMATION THAT IS PROPRIETARY TO MOLEX ELECTRONIC TECHNOLOGIES, LLC AND SHOULD NOT BE USED WITHOUT WRITTEN PERMISSION

| | | | | | | |
|-----------------|---|--|-------------------|-----------------|--------------|--|
| QUALITY SYMBOLS | DIM C TOLERANCE EC NO: 107740 DRWN: MKIPPER CHK'D: JBELL APPR: FSMITH | GENERAL TOLERANCES (UNLESS SPECIFIED) | | DIMENSION UNITS | SCALE | |
| | | MM | INCH | MM/IN | NTS | |
| ▽ = 0 | AP REV | 4 PLACES ± | ± | SAMIEC | 1987/01/28 | KK 156 HOUSING PCB 41815 SERIES |
| ▽ = 0 | | 3 PLACES ± | ± 0.01 | CHK'D BY | DATE | |
| ▽ = 0 | | 2 PLACES ± | 0.25 ± | 0.015 ± | SAMIEC | |
| ▽ = 0 | | 1 PLACES ± | 0.38 ± | ± | APPR BY | DATE |
| ▽ = 0 | | 0 PLACES ± | ± | ± | SAMIEC | 1987/01/28 |
| ▽ = 0 | | | ANGULAR TOL ± 0.5 | | DRAWING SIZE | THIRD ANGLE PROJECTION |
| ▽ = 0 | | DRAFT WHERE APPLICABLE MUST REMAIN WITHIN DIMENSIONS | | B | | DOCUMENT NUMBER: SDA-41815 DOC TYPE: PSD DOC PART: 000 SHEET NUMBER: 1 OF * |

| | |
|----------------|--------------|
| RELEASE STATUS | RELEASE DATE |
|----------------|--------------|



KK 156 PCB ASSY 2-15 CKT

41815 SERIES

| | |
|--------------|-------------------|
| Assy. Proc: | RIGHT ANGLE |
| Housing No: | 41815-N-AN |
| Options | WITH RAMP |
| Terminal No: | 2144-BA-A1AA-197B |
| Term Matl: | PHOS BRONZE |
| Plating: | 197 TIN |
| Dim C: | (3.68) / .145 |
| Voids: | NONE |
| Hooks Cut: | NO |
| Packaging: | PK-41815-001 TRAY |

| | |
|--------------|-------------------|
| Assy. Proc: | RIGHT ANGLE |
| Housing No: | 41815-N-AN |
| Options | WITH RAMP |
| Terminal No: | 2144-BA-A1AA-208B |
| Term Matl: | PHOS BRONZE |
| Plating: | 208 – 15 GOLD |
| Dim C: | (3.68) / .145 |
| Voids: | NONE |
| Hooks Cut: | NO |
| Packaging: | PK-41815-001 TRAY |

| | |
|--------------|-------------------|
| Assy. Proc: | BOTTOM ENTRY |
| Housing No: | 41815-N-AN |
| Options | WITH RAMP |
| Terminal No: | 6298-1-197 |
| Term Matl: | PHOS BRONZE |
| Plating: | 197 – TIN |
| Dim C: | (3.18)/. 125 |
| Voids: | NONE |
| Hooks Cut: | NO |
| Packaging: | PK-41815-001 TRAY |

| | |
|--------------|-------------------|
| Assy. Proc: | BOTTOM ENTRY |
| Housing No: | 41815-N-AN |
| Options | WITH RAMP |
| Terminal No: | 6298-1-208 |
| Term Matl: | PHOS BRONZE |
| Plating: | 208 – 15 GOLD |
| Dim C: | (3.18)/. 125 |
| Voids: | NONE |
| Hooks Cut: | NO |
| Packaging: | PK-41815-001 TRAY |

| Ckts | Material No | Engineer Number |
|------|-------------|-----------------|
| 2 | 09-48-1024 | A-41815-0002 |
| 3 | 09-48-1034 | A-41815-0003 |
| 4 | 09-48-1044 | A-41815-0004 |
| 5 | 09-48-1054 | A-41815-0005 |
| 6 | 09-48-1064 | A-41815-0006 |
| 7 | 09-48-1074 | A-41815-0007 |
| 8 | 09-48-1084 | A-41815-0008 |
| 9 | 09-48-1094 | A-41815-0009 |
| 10 | 09-48-1104 | A-41815-0010 |
| 11 | 09-48-1114 | A-41815-0011 |
| 12 | 09-48-1124 | A-41815-0012 |
| 13 | 09-48-1134 | A-41815-0013 |
| 14 | 09-48-1144 | A-41815-0014 |
| 15 | 09-48-1154 | A-41815-0015 |

| Material No | Engineer Number |
|-------------|-----------------|
| 09-48-5024 | A-41815-0016 |
| 09-48-5034 | A-41815-0017 |
| 09-48-5044 | A-41815-0018 |
| 09-48-5054 | A-41815-0019 |
| 09-48-5064 | A-41815-0020 |
| 09-48-5074 | A-41815-0021 |
| 09-48-5084 | A-41815-0022 |
| 09-48-5094 | A-41815-0023 |
| 09-48-5104 | A-41815-0024 |
| 09-48-5114 | A-41815-0025 |
| 09-48-5124 | A-41815-0026 |
| 09-48-5134 | A-41815-0027 |
| 09-48-5144 | A-41815-0028 |
| 09-48-5154 | A-41815-0029 |

| Material No | Engineer Number |
|-------------|-----------------|
| 09-48-4029 | A-41815-0030 |
| 09-48-4039 | A-41815-0031 |
| 09-48-4049 | A-41815-0032 |
| 09-48-4059 | A-41815-0033 |
| 09-48-4069 | A-41815-0034 |
| 09-48-4079 | A-41815-0035 |
| 09-48-4089 | A-41815-0036 |
| 09-48-4099 | A-41815-0037 |
| 09-48-4109 | A-41815-0038 |
| 09-48-4119 | A-41815-0039 |
| 09-48-4129 | A-41815-0040 |
| 09-48-4139 | A-41815-0041 |
| 09-48-4149 | A-41815-0042 |
| 09-48-4159 | A-41815-0043 |

| Material No | Engineer Number |
|-------------|-----------------|
| 09-48-5026 | A-41815-0044 |
| 09-48-5036 | A-41815-0045 |
| 09-48-5046 | A-41815-0046 |
| 09-48-5056 | A-41815-0047 |
| 09-48-5066 | A-41815-0048 |
| 09-48-5076 | A-41815-0049 |
| 09-48-5086 | A-41815-0050 |
| 09-48-5096 | A-41815-0051 |
| 09-48-5106 | A-41815-0052 |
| 09-48-5116 | A-41815-0053 |
| 09-48-5126 | A-41815-0054 |
| 09-48-5136 | A-41815-0055 |
| 09-48-5146 | A-41815-0056 |
| 09-48-5156 | A-41815-0057 |

| | | | | | | | |
|-------------------------|-------------|--|------------------------------|------------------|---|--|---------------------|
| AN4 | <u>REV:</u> | | <u>ECR/ECN INFORMATION:</u> | | <u>TITLE:</u> | | <u>SHEET No.</u> |
| | | | <u>EC NO.</u> | 121254 | KK 156 HOUSING ASSY PCB 41815 SERIES DWG | | - 2 - |
| | | | <u>DATE:</u> | 8/30/2017 | | | |
| <u>DOCUMENT NUMBER:</u> | | | <u>CREATED / REVISED BY:</u> | | <u>CHECKED BY:</u> | | <u>APPROVED BY:</u> |
| SDA-41815 | | | SS06 | | SS06 | | ISHWARG |



KK 156 PCB ASSY 2-15 CKT

41815 SERIES

| | Assy. Proc: | TOP ENTRY | Assy. Proc: | TOP ENTRY | Assy. Proc: | BOTTOM ENTRY | Assy. Proc: | TOP ENTRY |
|------|--------------|-------------------|--------------|-------------------|--------------|-------------------|--------------|--------------------|
| | Housing No: | 41815-N-AN | Housing No: | 41815-N-AN | Housing No: | 41815-N-AN | Housing No: | 41815-N-AN |
| | Options | WITH RAMP | Options | WITH RAMP | Options | WITH RAMP | Options | WITH RAMP |
| | Terminal No: | 2144-BA-A1AA-197B | Terminal No: | 2144-BA-A1AA-208B | Terminal No: | 2188-1-P909 | Terminal No: | 2144-AA-A1AA-P909B |
| | Term Matl: | PHOS BRONZE | Term Matl: | PHOS BRONZE | Term Matl: | BRASS | Term Matl: | BRASS |
| | Plating: | 197 – TIN | Plating: | 208 – 15 GOLD | Plating: | P909 – TIN | Plating: | P909 – TIN |
| | Dim C: | (3.05) / .120 | Dim C: | (3.05) / .120 | Dim C: | (3.18) / .125 | Dim C: | (3.05) / .120 |
| | Voids: | NONE | Voids: | NONE | Voids: | NONE | Voids: | NONE |
| | Hooks Cut: | NO | Hooks Cut: | NO | Hooks Cut: | NO | Hooks Cut: | YES |
| | Packaging: | PK-41815-001 TRAY | Packaging: | PK-41815-001 TRAY | Packaging: | PK-41815-001 TRAY | Packaging: | PK-41815-001 TRAY |
| | | | | | | | | |
| Ckts | Material No | Engineer Number | Material No | Engineer Number | Material No | Engineer Number | Material No | Engineer Number |
| 2 | 09-48-4028 | A-41815-0058 | 09-48-5025 | A-41815-0072 | 09-48-2022 | A-41815-0100 | 09-48-2025 | A-41815-0114 |
| 3 | 09-48-4038 | A-41815-0059 | 09-48-5035 | A-41815-0073 | 09-48-2032 | A-41815-0101 | 09-48-2035 | A-41815-0115 |
| 4 | 09-48-4048 | A-41815-0060 | 09-48-5045 | A-41815-0074 | 09-48-2042 | A-41815-0102 | 09-48-2045 | A-41815-0116 |
| 5 | 09-48-4058 | A-41815-0061 | 09-48-5055 | A-41815-0075 | 09-48-2052 | A-41815-0103 | 09-48-2055 | A-41815-0117 |
| 6 | 09-48-4068 | A-41815-0062 | 09-48-5065 | A-41815-0076 | 09-48-2062 | A-41815-0104 | 09-48-2065 | A-41815-0118 |
| 7 | 09-48-4078 | A-41815-0063 | 09-48-5075 | A-41815-0077 | 09-48-2072 | A-41815-0105 | 09-48-2075 | A-41815-0119 |
| 8 | 09-48-4088 | A-41815-0064 | 09-48-5085 | A-41815-0078 | 09-48-2082 | A-41815-0106 | 09-48-2085 | A-41815-0120 |
| 9 | 09-48-4098 | A-41815-0065 | 09-48-5095 | A-41815-0079 | 09-48-2092 | A-41815-0107 | 09-48-2095 | A-41815-0121 |
| 10 | 09-48-4108 | A-41815-0066 | 09-48-5105 | A-41815-0080 | 09-48-2102 | A-41815-0108 | 09-48-2105 | A-41815-0122 |
| 11 | 09-48-4118 | A-41815-0067 | 09-48-5115 | A-41815-0081 | 09-48-2112 | A-41815-0109 | 09-48-2115 | A-41815-0123 |
| 12 | 09-48-4128 | A-41815-0068 | 09-48-5125 | A-41815-0082 | 09-48-2122 | A-41815-0110 | 09-48-2125 | A-41815-0124 |
| 13 | 09-48-4138 | A-41815-0069 | 09-48-5135 | A-41815-0083 | 09-48-2132 | A-41815-0111 | 09-48-2135 | A-41815-0125 |
| 14 | 09-48-4148 | A-41815-0070 | 09-48-5145 | A-41815-0084 | 09-48-2142 | A-41815-0112 | 09-48-2145 | A-41815-0126 |
| 15 | 09-48-4158 | A-41815-0071 | 09-48-5155 | A-41815-0085 | 09-48-2152 | A-41815-0113 | 09-48-2155 | A-41815-0127 |

| | | | | | | | | |
|-------------------------|-------------|--|------------------------------|------------------|---|--|---------------------|------------------|
| AN4 | <u>REV:</u> | | <u>ECR/ECN INFORMATION:</u> | | KK 156 HOUSING ASSY PCB 41815 SERIES DWG | | | <u>SHEET No.</u> |
| | | | <u>EC NO.</u> | 121254 | | | | - 3 - |
| | | | <u>DATE:</u> | 8/30/2017 | | | | |
| <u>DOCUMENT NUMBER:</u> | | | <u>CREATED / REVISED BY:</u> | | <u>CHECKED BY:</u> | | <u>APPROVED BY:</u> | |
| SDA-41815 | | | SS06 | | SS06 | | ISHWARG | |



KK 156 PCB ASSY 2-15 CKT

41815 SERIES

| Ckts | Assy. Proc: | | Assy. Proc: | | Assy. Proc: | | Assy. Proc: | |
|------|-------------|-----------------|-------------|-----------------|-------------|-----------------|-------------|-----------------|
| | Material No | Engineer Number | Material No | Engineer Number | Material No | Engineer Number | Material No | Engineer Number |
| 2 | | | 09-48-4021 | A-41815-0170 | 41815-0184 | A-41815-0184 | 09-48-2021 | A-41815-0198 |
| 3 | | | 09-48-4031 | A-41815-0171 | 09-48-5030 | A-41815-0185 | 09-48-2031 | A-41815-0199 |
| 4 | | | 09-48-4041 | A-41815-0172 | 09-48-5040 | A-41815-0186 | 09-48-2041 | A-41815-0200 |
| 5 | | | 09-48-4051 | A-41815-0173 | 09-48-5050 | A-41815-0187 | 09-48-2051 | A-41815-0201 |
| 6 | | | 09-48-4061 | A-41815-0174 | 41815-0188 | A-41815-0188 | 09-48-2061 | A-41815-0202 |
| 7 | | | 09-48-4071 | A-41815-0175 | 41815-0189 | A-41815-0189 | 09-48-2071 | A-41815-0203 |
| 8 | | | 09-48-4081 | A-41815-0176 | 09-48-5080 | A-41815-0190 | 09-48-2081 | A-41815-0204 |
| 9 | | | 09-48-4091 | A-41815-0177 | 41815-0191 | A-41815-0191 | 09-48-2091 | A-41815-0205 |
| 10 | | | 09-48-4101 | A-41815-0178 | 09-48-5100 | A-41815-0192 | 09-48-2101 | A-41815-0206 |
| 11 | | | 09-48-4111 | A-41815-0179 | 41815-0193 | A-41815-0193 | 09-48-2111 | A-41815-0207 |
| 12 | | | 09-48-4121 | A-41815-0180 | 41815-0194 | A-41815-0194 | 09-48-2121 | A-41815-0208 |
| 13 | | | 09-48-4131 | A-41815-0181 | 41815-0195 | A-41815-0195 | 09-48-2131 | A-41815-0209 |
| 14 | | | 09-48-4141 | A-41815-0182 | 41815-0196 | A-41815-0196 | 09-48-2141 | A-41815-0210 |
| 15 | | | 09-48-4151 | A-41815-0183 | 41815-0197 | A-41815-0197 | 09-48-2151 | A-41815-0211 |

| | | | | |
|---|-----------------------------|---|--|---------------------------------------|
| REV: AN4 | ECR/ECN INFORMATION: | | TITLE: KK 156 HOUSING ASSY PCB 41815 SERIES DWG | SHEET No. |
| | EC NO. | 121254 | | - 4 - |
| | DATE: | 8/30/2017 | | |
| DOCUMENT NUMBER: SDA-41815 | | CREATED / REVISED BY: SS06 | CHECKED BY: SS06 | APPROVED BY: ISHWARG |



KK 156 PCB ASSY 2-15 CKT

41815 SERIES

| | |
|--------------|--------------------|
| Assy. Proc: | TOP ENTRY |
| Housing No: | 41815-N-AN |
| Options | WITH RAMP |
| Terminal No: | 2144-AA-A1AA-P909B |
| Term Matl: | BRASS |
| Plating: | P909 – TIN |
| Dim C: | (3.05) / .120 |
| Voids: | NONE |
| Hooks Cut: | NO |
| Packaging: | PK-41815-001 TRAY |

| | |
|--------------|-------------------|
| Assy. Proc: | TOP ENTRY |
| Housing No: | 41815-N-AN |
| Options | WITH RAMP |
| Terminal No: | 2144-AA-A1AA-208B |
| Term Matl: | BRASS |
| Plating: | 208 – 15 GOLD |
| Dim C: | (3.05) / .120 |
| Voids: | NONE |
| Hooks Cut: | NO |
| Packaging: | PK-41815-001 TRAY |

| | |
|--------------|--------------------|
| Assy. Proc: | RIGHT ANGLE |
| Housing No: | 41815-N-AN |
| Options | WITH RAMP |
| Terminal No: | 2144-BA-A1AA-P909B |
| Term Matl: | PHOS BRONZE |
| Plating: | P909 – TIN |
| Dim C: | (3.68) / .145 |
| Voids: | NONE |
| Hooks Cut: | NO |
| Packaging: | PK-41815-001 TRAY |

| | |
|--------------|-------------------|
| Assy. Proc: | BOTTOM ENTRY |
| Housing No: | 41815-N-AN |
| Options | WITH RAMP |
| Terminal No: | 6298-1-P909 |
| Term Matl: | PHOS BRONZE |
| Plating: | P909 – TIN |
| Dim C: | (3.18) / .125 |
| Voids: | NONE |
| Hooks Cut: | NO |
| Packaging: | PK-41815-001 TRAY |

| Ckts | Material No | Engineer Number |
|------|-------------|-----------------|
| 2 | 09-48-2023 | A-41815-0453 |
| 3 | 09-48-2033 | A-41815-0454 |
| 4 | 09-48-2043 | A-41815-0455 |
| 5 | 09-48-2053 | A-41815-0456 |
| 6 | 09-48-2063 | A-41815-0457 |
| 7 | 09-48-2073 | A-41815-0458 |
| 8 | 09-48-2083 | A-41815-0459 |
| 9 | 09-48-2093 | A-41815-0460 |
| 10 | 09-48-2103 | A-41815-0461 |
| 11 | 09-48-2113 | A-41815-0462 |
| 12 | 09-48-2123 | A-41815-0463 |
| 13 | 09-48-2133 | A-41815-0464 |
| 14 | 09-48-2143 | A-41815-0465 |
| 15 | 09-48-2153 | A-41815-0466 |

| Material No | Engineer Number |
|-------------|-----------------|
| 09-48-3026 | A-41815-0467 |
| 09-48-3036 | A-41815-0468 |
| 09-48-3046 | A-41815-0469 |
| 09-48-3056 | A-41815-0470 |
| 09-48-3066 | A-41815-0471 |
| 09-48-3076 | A-41815-0472 |
| 09-48-3086 | A-41815-0473 |
| 09-48-3096 | A-41815-0474 |
| 09-48-3106 | A-41815-0475 |
| 09-48-3116 | A-41815-0476 |
| 09-48-3126 | A-41815-0477 |
| 09-48-3136 | A-41815-0478 |
| 09-48-3146 | A-41815-0479 |
| 09-48-3156 | A-41815-0480 |

| Material No | Engineer Number |
|-------------|-----------------|
| 09-48-2020 | A-41815-0481 |
| 09-48-2030 | A-41815-0482 |
| 09-48-2040 | A-41815-0483 |
| 09-48-2050 | A-41815-0484 |
| 09-48-2060 | A-41815-0485 |
| 09-48-2070 | A-41815-0486 |
| 09-48-2080 | A-41815-0487 |
| 09-48-2090 | A-41815-0488 |
| 09-48-2100 | A-41815-0489 |
| 09-48-2110 | A-41815-0490 |
| 09-48-2120 | A-41815-0491 |
| 09-48-2130 | A-41815-0492 |
| 09-48-2140 | A-41815-0493 |
| 09-48-2150 | A-41815-0494 |

| Material No | Engineer Number |
|-------------|-----------------|
| 09-48-2029 | A-41815-0495 |
| 09-48-2039 | A-41815-0496 |
| 09-48-2049 | A-41815-0497 |
| 09-48-2059 | A-41815-0498 |
| 09-48-2069 | A-41815-0499 |
| 09-48-2079 | A-41815-0500 |
| 09-48-2089 | A-41815-0501 |
| 09-48-2099 | A-41815-0502 |
| 09-48-2109 | A-41815-0503 |
| 09-48-2119 | A-41815-0504 |
| 09-48-2129 | A-41815-0505 |
| 09-48-2139 | A-41815-0506 |
| 09-48-2149 | A-41815-0507 |
| 09-48-2159 | A-41815-0508 |

| | | | | |
|---|-----------------------------|---|--|---------------------------------------|
| REV: AN4 | ECR/ECN INFORMATION: | | TITLE: KK 156 HOUSING ASSY PCB 41815 SERIES DWG | <u>SHEET No.</u> |
| | EC NO. | 121254 | | - 7 - |
| | DATE: | 8/30/2017 | | |
| DOCUMENT NUMBER: SDA-41815 | | <u>CREATED / REVISED BY:</u> SS06 | <u>CHECKED BY:</u> SS06 | <u>APPROVED BY:</u> ISHWARG |



KK 156 PCB ASSY 2-15 CKT

41815 SERIES

| | |
|--------------|--------------------|
| Assy. Proc: | TOP ENTRY |
| Housing No: | 41815-N-AN |
| Options | WITH RAMP |
| Terminal No: | 2144-BA-A1AA-P909B |
| Term Matl: | PHOS BRONZE |
| Plating: | P909 – TIN |
| Dim C: | (3.05) / .120 |
| Voids: | NONE |
| Hooks Cut: | NO |
| Packaging: | PK-41815-001 TRAY |

| | |
|--------------|-------------------|
| Assy. Proc: | TOP ENTRY |
| Housing No: | 41815-N-AN |
| Options | WITH RAMP |
| Terminal No: | 2144-BA-A1AA-197B |
| Term Matl: | PHOS BRONZE |
| Plating: | 197 – TIN |
| Dim C: | (3.05) / .120 |
| Voids: | NONE |
| Hooks Cut: | YES |
| Packaging: | PK-41815-001 TRAY |

| | |
|--------------|-------------------|
| Assy. Proc: | TOP ENTRY |
| Housing No: | 41815-N-AN |
| Options | WITH RAMP |
| Terminal No: | 2144-BA-A1AA-208B |
| Term Matl: | PHOS BRONZE |
| Plating: | 208 – 15 GOLD |
| Dim C: | (3.05) / .120 |
| Voids: | NONE |
| Hooks Cut: | YES |
| Packaging: | PK-41815-001 TRAY |

| | |
|--------------|-------------------|
| Assy. Proc: | BOTTOM ENTRY |
| Housing No: | 41815-N-AN |
| Options | WITH RAMP |
| Terminal No: | 2188-1-208 |
| Term Matl: | BRASS |
| Plating: | 208 – 15 GOLD |
| Dim C: | (3.18) / .125 |
| Voids: | TERMINAL VOID 2 |
| Hooks Cut: | NO |
| Packaging: | PK-41815-001 TRAY |

| Ckts | Material No | Engineer Number |
|------|-------------|-----------------|
| 2 | 09-48-2028 | A-41815-0509 |
| 3 | 09-48-2038 | A-41815-0510 |
| 4 | 09-48-2048 | A-41815-0511 |
| 5 | 09-48-2058 | A-41815-0512 |
| 6 | 09-48-2068 | A-41815-0513 |
| 7 | 09-48-2078 | A-41815-0514 |
| 8 | 09-48-2088 | A-41815-0515 |
| 9 | 09-48-2098 | A-41815-0516 |
| 10 | 09-48-2108 | A-41815-0517 |
| 11 | 09-48-2118 | A-41815-0518 |
| 12 | 09-48-2128 | A-41815-0519 |
| 13 | 09-48-2138 | A-41815-0520 |
| 14 | 09-48-2148 | A-41815-0521 |
| 15 | 09-48-2158 | A-41815-0522 |

| Material No | Engineer Number |
|-------------|-----------------|
| 09-48-5028 | A-41815-0523 |
| 09-48-5038 | A-41815-0524 |
| 09-48-5048 | A-41815-0525 |
| 09-48-5058 | A-41815-0526 |
| 09-48-5068 | A-41815-0527 |
| 09-48-5078 | A-41815-0528 |
| 09-48-5088 | A-41815-0529 |
| 09-48-5098 | A-41815-0530 |
| 09-48-5108 | A-41815-0531 |
| 09-48-5118 | A-41815-0532 |
| 09-48-5128 | A-41815-0533 |
| 09-48-5138 | A-41815-0534 |
| 09-48-5148 | A-41815-0535 |
| 09-48-5158 | A-41815-0536 |

| Material No | Engineer Number |
|-------------|-----------------|
| 09-48-1025 | A-41815-0537 |
| 09-48-1035 | A-41815-0538 |
| 09-48-1045 | A-41815-0539 |
| 09-48-1055 | A-41815-0540 |
| 09-48-1065 | A-41815-0541 |
| 09-48-1075 | A-41815-0542 |
| 09-48-1085 | A-41815-0543 |
| 09-48-1095 | A-41815-0544 |
| 09-48-1105 | A-41815-0545 |
| 09-48-1115 | A-41815-0546 |
| 09-48-1125 | A-41815-0547 |
| 09-48-1135 | A-41815-0548 |
| 09-48-1145 | A-41815-0549 |
| 09-48-1155 | A-41815-0550 |

| Material No | Engineer Number |
|-------------|-----------------|
| 41815-0551 | 41815-0551 |
| 41815-0552 | 41815-0552 |
| 41815-0553 | 41815-0553 |
| 41815-0554 | 41815-0554 |
| 41815-0555 | 41815-0555 |
| 41815-0556 | 41815-0556 |
| 41815-0557 | 41815-0557 |
| 41815-0558 | 41815-0558 |
| 41815-0559 | 41815-0559 |
| 41815-0560 | 41815-0560 |
| 41815-0561 | 41815-0561 |
| 41815-0562 | 41815-0562 |
| 41815-0563 | 41815-0563 |

| | | | | | | | | |
|-------------------------|-------------|--|------------------------------|------------------|---|--|---------------------|------------------|
| AN4 | <u>REV:</u> | | <u>ECR/ECN INFORMATION:</u> | | KK 156 HOUSING ASSY PCB 41815 SERIES DWG | | | <u>SHEET No.</u> |
| | | | <u>EC NO.</u> | 121254 | | | | - 8 - |
| | | | <u>DATE:</u> | 8/30/2017 | | | | |
| <u>DOCUMENT NUMBER:</u> | | | <u>CREATED / REVISED BY:</u> | | <u>CHECKED BY:</u> | | <u>APPROVED BY:</u> | |
| SDA-41815 | | | SS06 | | SS06 | | ISHWARG | |



KK 156 PCB ASSY 2-15 CKT

41815 SERIES

| | Assy. Proc: | BOTTOM ENTRY | Assy. Proc: | BOTTOM ENTRY | Assy. Proc: | RIGHT ANGLE | Assy. Proc: | TOP ENTRY |
|------|--------------|-------------------|--------------|-------------------|--------------|-------------------|--------------|-------------------|
| | Housing No: | 41815-N-DN | Housing No: | 41815-N-DN | Housing No: | 41815-N-A15-7 | Housing No: | 41815-N-DN |
| | Options | WITHOUT RAMPS | Options | WITHOUT RAMPS | Options | WITH RAMP | Options | WITHOUT RAMP |
| | Terminal No: | 6298-1-197 | Terminal No: | 6298-1-197 | Terminal No: | 2144-BA-A1AA-197B | Terminal No: | 2144-BA-A1AA-197B |
| | Term Matl: | PHOS BRONZE | Term Matl: | PHOS BRONZE | Term Matl: | PHOS BRONZE | Term Matl: | PHOS BRONZE |
| | Plating: | 197 – TIN | Plating: | 197 – TIN | Plating: | 197 – TIN | Plating: | 197 – TIN |
| | Dim C: | 3.18 / .125 | Dim C: | 3.18 / .125 | Dim C: | (3.68) / .145 | Dim C: | (3.05)/.120 |
| | Voids: | NONE | Voids: | TERMINAL VOID 2 | Voids: | TERMINAL VOID 7 | Voids: | NONE |
| | Hooks Cut: | NO | Hooks Cut: | NO | Hooks Cut: | NO | Hooks Cut: | YES |
| | Packaging: | PK-41815-001 TRAY | Packaging: | PK-41815-001 TRAY | Packaging: | PK-41815-001 TRAY | Packaging: | PK-41815-001 TRAY |
| | | | | | | | | |
| Ckts | Material No | Engineer Number | Material No | Engineer Number | Material No | Engineer Number | Material No | Engineer Number |
| 2 | 41815-0564 | A-41815-0564 | | | | | 41815-0601 | A-41815-0601 |
| 3 | 41815-0565 | A-41815-0565 | 41815-0579 | A-41815-0579 | | | 41815-0602 | A-41815-0602 |
| 4 | 41815-0566 | A-41815-0566 | 41815-0580 | A-41815-0580 | | | | |
| 5 | 41815-0567 | A-41815-0567 | 41815-0581 | A-41815-0581 | | | | |
| 6 | 41815-0568 | A-41815-0568 | 41815-0582 | A-41815-0582 | | | 41815-0605 | A-41815-0605 |
| 7 | 41815-0569 | A-41815-0569 | 41815-0583 | A-41815-0583 | | | | |
| 8 | 41815-0570 | A-41815-0570 | 41815-0584 | A-41815-0584 | | | | |
| 9 | 41815-0571 | A-41815-0571 | 41815-0585 | A-41815-0585 | | | | |
| 10 | 41815-0572 | A-41815-0572 | 41815-0586 | A-41815-0586 | | | | |
| 11 | 41815-0573 | A-41815-0573 | 41815-0587 | A-41815-0587 | | | | |
| 12 | 41815-0574 | A-41815-0574 | 41815-0588 | A-41815-0588 | | | | |
| 13 | 41815-0575 | A-41815-0575 | 41815-0589 | A-41815-0589 | | | | |
| 14 | 41815-0576 | A-41815-0576 | 41815-0590 | A-41815-0590 | | | | |
| 15 | 41815-0577 | A-41815-0577 | 41815-0591 | A-41815-0591 | 41815-0600 | A-41815-0600 | | |

| | | | |
|-------------------------|-----------------------------|---|--------------------|
| REV: | ECR/ECN INFORMATION: | TITLE: | SHEET No. |
| AN4 | EC NO. 121254 | KK 156 HOUSING ASSY PCB 41815 SERIES DWG | - 9 - |
| | DATE: 8/30/2017 | | |
| DOCUMENT NUMBER: | | CREATED / REVISED BY: | CHECKED BY: |
| SDA-41815 | | SS06 | SS06 |
| | | APPROVED BY: | |
| | | ISHWARG | |



KK 156 PCB ASSY 2-15 CKT

41815 SERIES

| | Assy. Proc: | RIGHT ANGLE | Assy. Proc: | Assy. Proc: | Assy. Proc: |
|------|--------------|-------------------|--------------|--------------|--------------|
| | Housing No: | 41815-N-AN | Housing No: | Housing No: | Housing No: |
| | Options | WITH RAMP | Options | Options | Options |
| | Terminal No: | 2144-BA-A1AA-197B | Terminal No: | Terminal No: | Terminal No: |
| | Term Matl: | PHOS BRONZE | Term Matl: | Term Matl: | Term Matl: |
| | Plating: | 197 TIN | Plating: | Plating: | Plating: |
| | Dim C: | (3.68) / .145 | Dim C: | Dim C: | Dim C: |
| | Voids: | TERMINAL VOID 2 | Voids: | Voids: | Voids: |
| | Hooks Cut: | NO | Hooks Cut: | Hooks Cut: | Hooks Cut: |
| | Packaging: | PK-41815-001 TRAY | Packaging: | Packaging: | Packaging: |
| | | | | | |
| Ckts | Material No | Engineer Number | Material No | Material No | Material No |
| 2 | | | | | |
| 3 | 41815-0687 | A-41815-0687 | | | |
| 4 | | | | | |
| 5 | | | | | |
| 6 | | | | | |
| 7 | | | | | |
| 8 | | | | | |
| 9 | | | | | |
| 10 | | | | | |
| 11 | | | | | |
| 12 | | | | | |
| 13 | | | | | |
| 14 | | | | | |
| 15 | | | | | |

| | | | |
|-------------------------|-----------------------------|---|--------------------|
| REV: | ECR/ECN INFORMATION: | TITLE: | SHEET No. |
| AN4 | EC NO. 121254 | KK 156 HOUSING ASSY PCB 41815 SERIES DWG | - 11 - |
| | DATE: 8/30/2017 | | |
| DOCUMENT NUMBER: | | CREATED / REVISED BY: | CHECKED BY: |
| SDA-41815 | | SS06 | SS06 |
| | | APPROVED BY: | |
| | | ISHWARG | |

Mouser Electronics

Authorized Distributor

Click to View Pricing, Inventory, Delivery & Lifecycle Information:

[Molex:](#)

[09-48-2149](#)