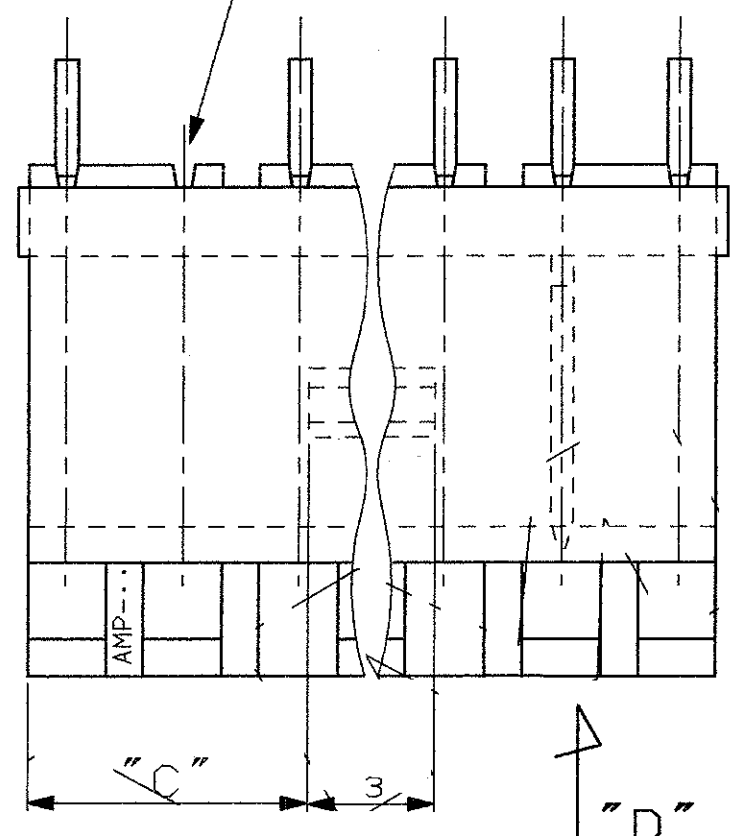
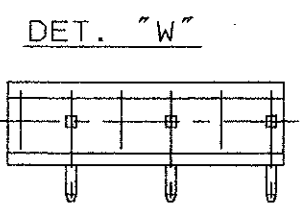


N° POS.	POS. MANCANTI RIF. A DET. UNLOADED POS. REF. TO DETAIL	DIM. "A"	DIM. "B"	DIM. "C"	P.N. STAGNATO (TIN PLTD. VERSION)	DORATO 0.37µm AREA CONTATTO STAGNATO NELLA ZONA A SALDARE	DORATO 0.76µm AREA CONTATTO STAGNATO NELLA ZONA A SALDARE	DORATO 1.27µm AREA CONTATTO STAGNATO NELLA ZONA A SALDARE
12	-	45.9	43.59	21.4	280620-1	280620-2	280620-4	280620-3
10	-	37.9	35.66	17.5	280619-1	280619-2	280619-4	280619-3
8	-	30.0	27.74	13.5	280618-1	280618-2	280618-4	280618-3
6	DET. "W"	22.1	15.85	9.5	282468-1	-	-	-
6	-	22.1	19.81	9.5	280617-1	280617-2	280617-4	280617-3
4	-	14.2	11.89	5.6	280616-1	280616-2	280616-4	280616-3
2	-	6.2	3.96	1.6	280615-1	280615-2	280615-4	280615-3
						0.37µm GOLD PLTD ON CONTACT AREA TIN PLTD ON SOLDER TAIL	0.76µm GOLD PLTD ON CONTACT AREA TIN PLTD ON SOLDER TAIL	1.27µm GOLD PLTD ON CONTACT AREA TIN PLTD ON SOLDER TAIL



DET. VIEWS FROM "D"



- ① EVENTUALE POSIZIONE DEI CONTATTI MANCANTI, VEDERE DETTAGLI (POSITIONS OF UNLOADED CONTACTS , SEE DETAILS)
- ② TOLLERANZA NON CUMULATIVA (NOT CUMULATIVE TOLERANCE)
- ③ ALLA BASE (AT BASE)
- ④ DIMENSIONE MISURATA ALLA BASE DEI POSTS (POSTS BASE DIMENSION)
- ⑤ NOT IN PRODUCTION
- ⑥ P/N OBSOLETO (OBSOLETE P/N)
- ⑦ PER VERSIONI CARICATE PARZIALMENTE LA DIMENSIONE "B" E' MISURATA TRA IL PRIMO E L'ULTIMO CONTATTO DISPONIBILE (FOR PARTIALLY LOADED VERSION , DIM "B" IS MEASURED BETWEEN FIRST AND LAST AVAILABLE CONTACT)

- ⓑ SUPERSEDED
 - 280615-3 SUPERSEDED BY 280615-2
 - 280616-3 SUPERSEDED BY 280616-2
- ⑨ OBSOLETE PARTS: OBSOLETE CIS STREAMLINING PER D.RENAUD/D.SINISI
- ⓐ OBSOLETE

CONTATTI:
(CONTACTS)
OTTONE (BRASS)

BLOCCETTO:
(HOUSING)
POLICARBONATO CARICATO VETRO COLORE VERDE
POLYCARBONATE GLAS FIBER FILLED COLOUR GREEN

MATERIALE
(MATERIAL)

CUSTOMER DRAWING FOR REFERENCE ONLY **DISEGNO PER CLIENTE SOLO PER RIFERIMENTO**

T	STREAMLINING OF CONTACT BASE MATERIAL CHANGED TO BRASS	SMT	09APR 2013
S2	ECR-10-022530	KK	29MAY11
S1	REVISED PER ECO-09-021826	KK	JAN10
S	OBSOLETE P/N's ET00-0244-97	F.B.	14 Nov '97
R	OBSOLETE P/N's 280615-3 AND 280616-3 (ET00-478-96)	C.P.	14 Nov '96
P	REV. PER EC ET00-0030 -94	C.C.	16 FEB '94
N	P.N. 282468-1 WAS IA92-S1085	C.C.	10-92
M	ADDED IA92-S1085 CANCELLED 15 POS. PROPOSAL REDRAWN	C.C.	3-92
L	ADDED 0.76µGOLD VERSION	A.B.	6-85
J	ADDED P.C.B. LAYOUT	Z.R.	1-83
H	ADDED FINISH NOTE	A.B.	10-82
E	ADDED DASH 3	R.G.	9-78
REV.	REVISIONI (REVISION RECORD)	DIS. DATA (DR) (DATE)	APP. (APP.)

THIS DRAWING IS UNPUBLISHED RELEASE FOR PUBLICATION 19

© COPYRIGHT 19 BY TE INCORPORATED, HARRISBURG, PA. ALL INTERNATIONAL RIGHT RESERVED. TE PRODUCTS MAY BE COVERED BY U.S. AND FOREIGN PATENT AND/OR PATENT PENDING

TOLLERANZE, SE NON DIVERSAMENTE SPECIFICATO (TOLERANCES, UNLESS OTHERWISE SPECIFIED)	DIAM. ISOLANTE (INS. DIA. RANGE)	RANGO FILO (WIRE RANGE)	SCALA (SCALE)
± 0.4	-	-	-
ANGOLI (ANGLES)	± 2°		

TE TE Connectivity

DESCRIZIONE (DESCRIPTION)
AMP-MODU MOD. I RIGHT ANGLE POST SUPPORT ASS Y

LOC. SIZE NUMERO (DWG NO) REV. FOGLIO (SHEET)

IA3C-280615 T 1 DI (OF) 1

DISTRIBUZIONE (PRINT DIST.)

Mouser Electronics

Authorized Distributor

Click to View Pricing, Inventory, Delivery & Lifecycle Information:

[TE Connectivity:](#)

[280616-2](#)