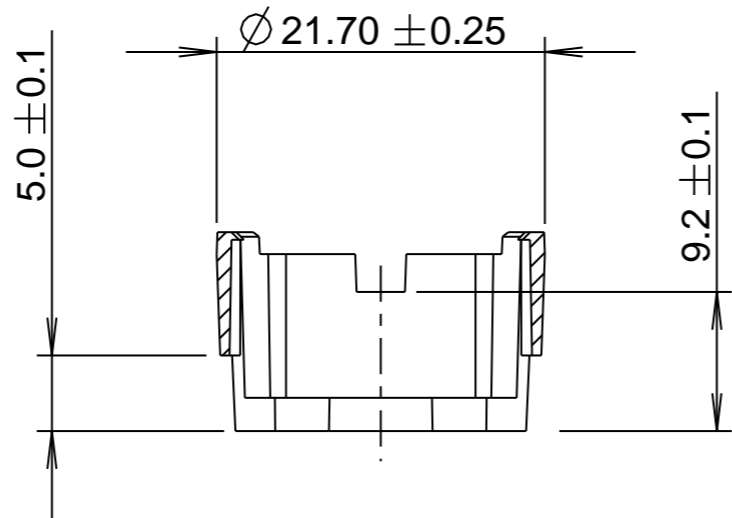
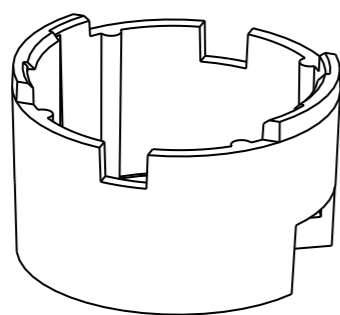
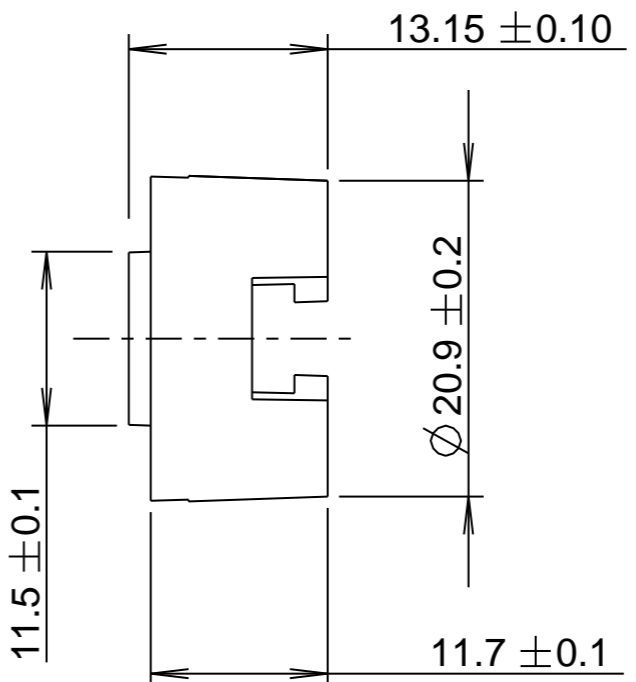
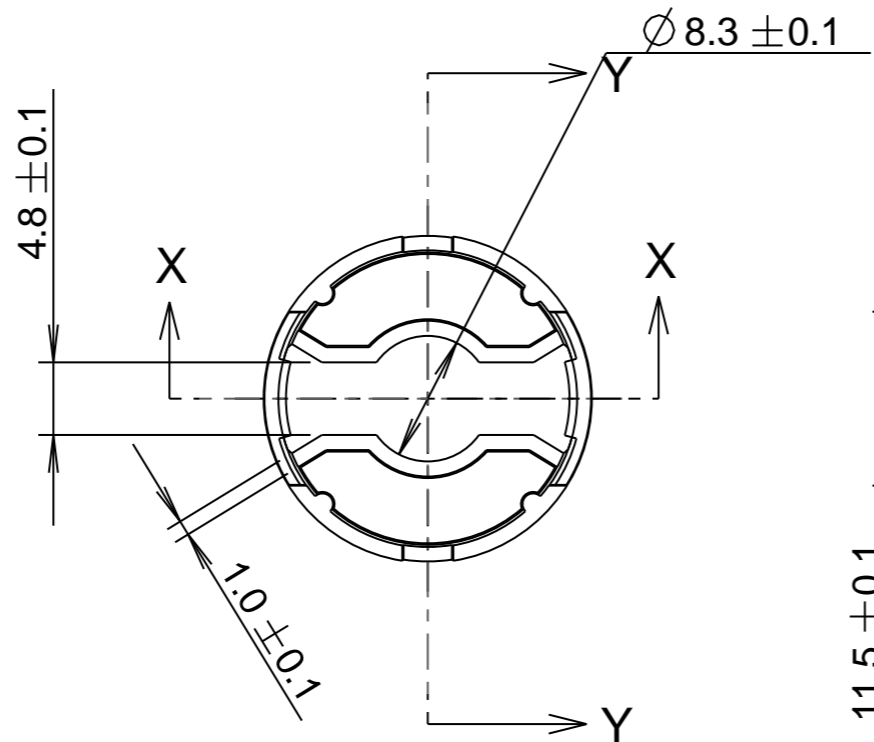
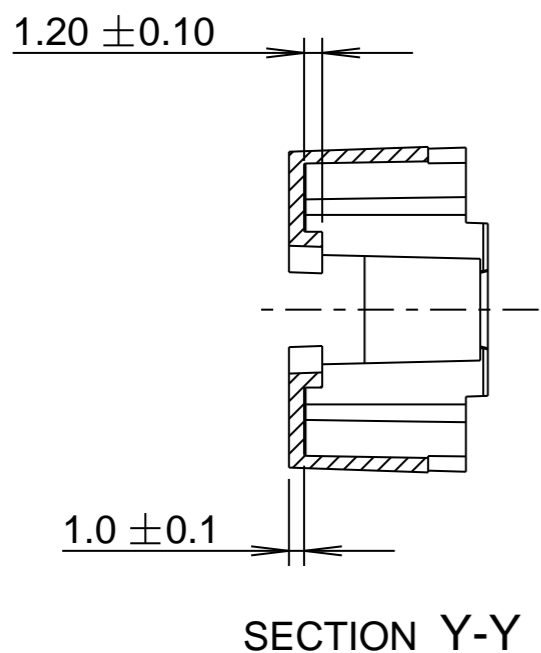
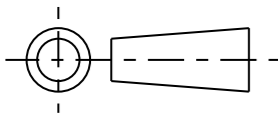


# CUSTOMER DRAWING

©2007 CARCLO  
ALL DIMENSIONS IN mm

ISS.	DATE	E.C.N.	DESCRIPTION
1	07-Aug-07		FIRST ISSUE
2	06-Sept-07		DIM 11.7 WAS 11.8
3	21-Dec-07	1207/1204	PART NOS. CHANGED



**carclo**  
technical plastics  
CARCLO TECHNICAL PLASTICS (SLOUGH)  
111 BUCKINGHAM AVE, SLOUGH  
SL1 4PF, ENGLAND  
TEL: +44 1753 575011 FAX: +44 1753 811359  
email: design@carclo-optics.com

GENERAL TOLERANCES (UNLESS STATED)

LINEAR		ANGULAR	
X	+/- 0.25	X	+/- 1°
X.X	+/- 0.1	X.X	+/- 0.5°
X.XX	+/- 0.05	X.XX	+/- 0.1°

CUSTOMER

TITLE  
20MM DIA LED OPTIC HOLDER  
FOR SEOUL SEMI P4 LED

DRAWN **AJD** DATE **07-Aug-07**

CHK'D DATE

APP'D DATE

SCALE	CARCLO PART No.
2:1	SEE TABLE

SIZE	CARCLO DRG. No.	SHEET
A3	60487	1 OF 1

NOTES:-  
1. MATERIAL: SEE TABLE

PART No.	DESCRIPTION
10362	GREEN POLYCARBONATE
10363	BLACK POLYCARBONATE
10364	WHITE POLYCARBONATE
10365	CLEAR POLYCARBONATE

# Mouser Electronics

Authorized Distributor

Click to View Pricing, Inventory, Delivery & Lifecycle Information:

[Carclo:](#)

[10363](#)