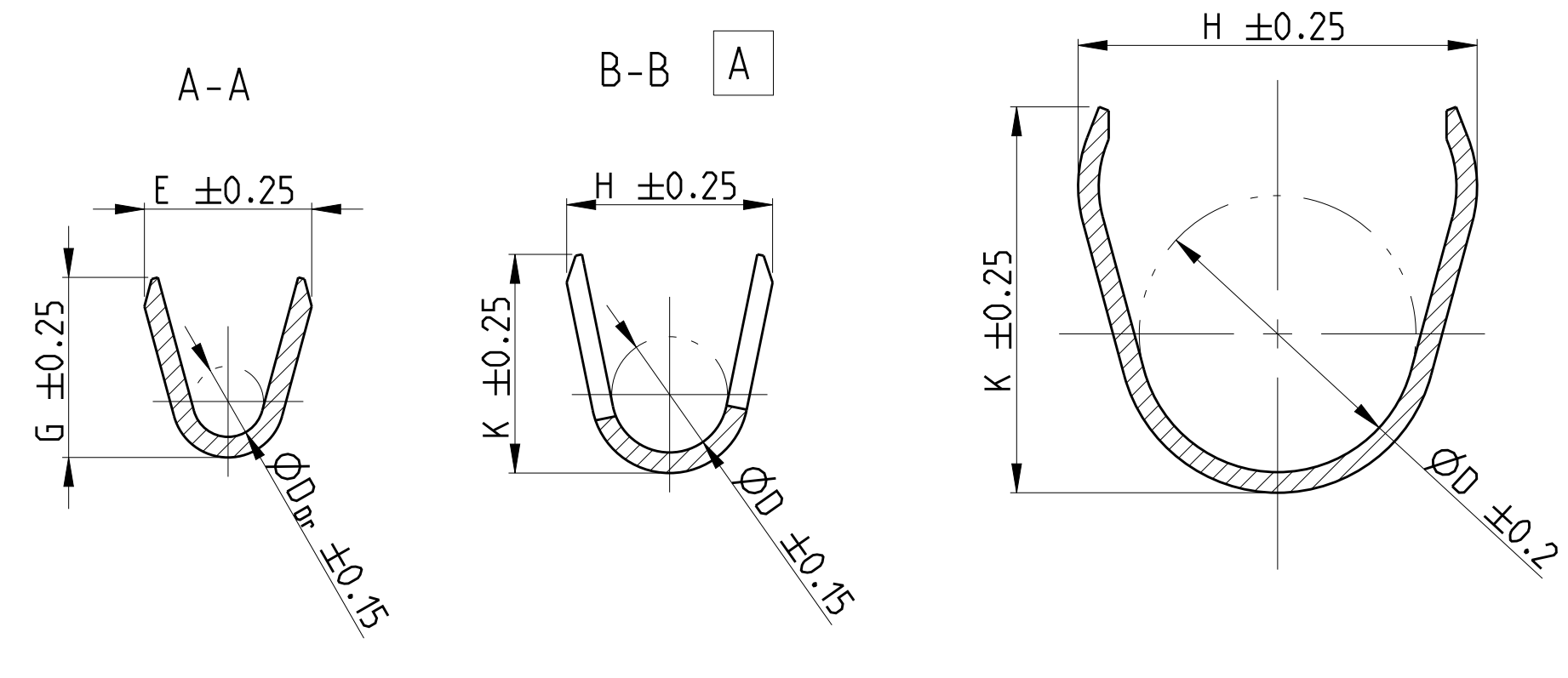
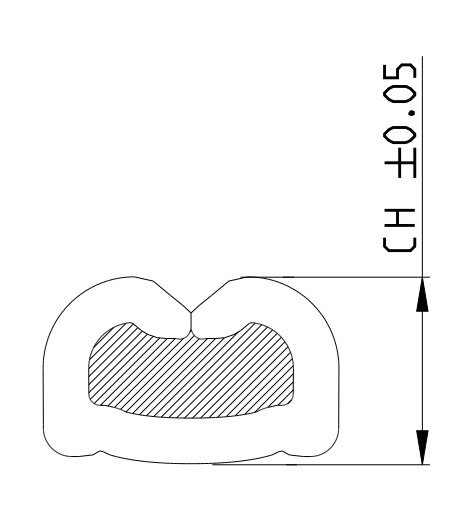


STRIP FORM
 Bandware

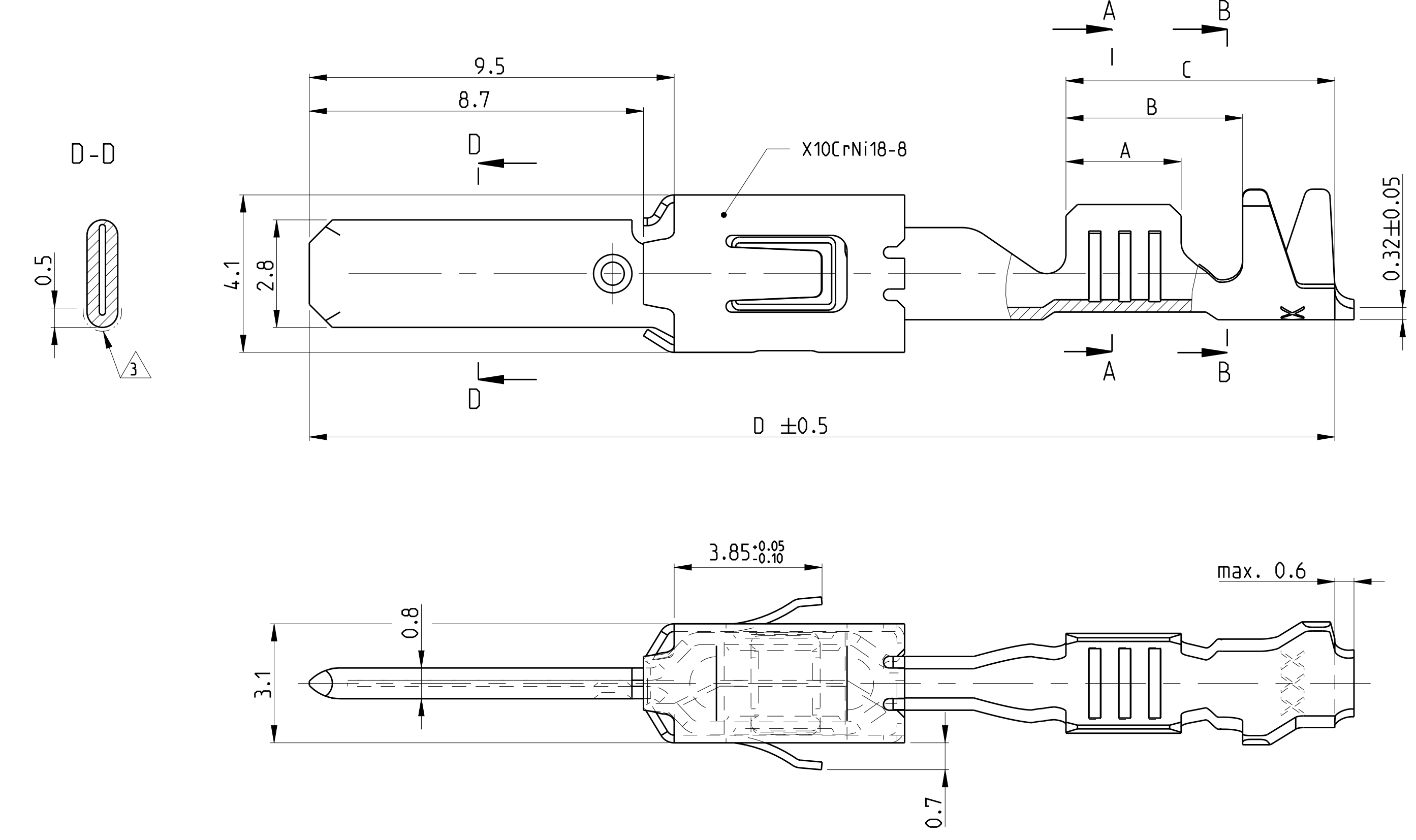


WIRE CRIMP
 Drahtcrimp



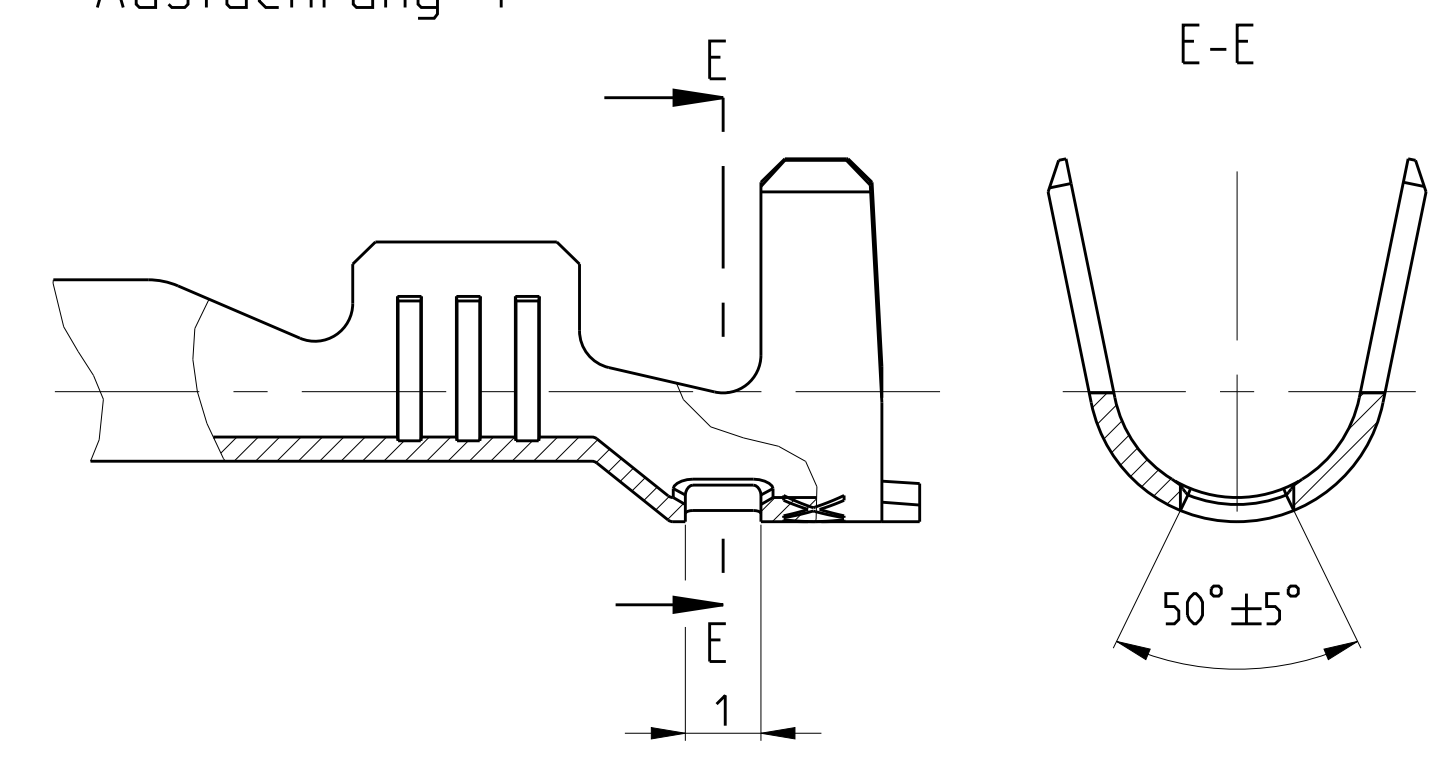
FLR-/FLK-WIRE
 FLR-/FLK-Leitung

DESIGN 1
 Ausfuehrung 1



SINGLE WIRE SEAL
 Einzeldichtungssystem

DESIGN 4
 Ausfuehrung 4

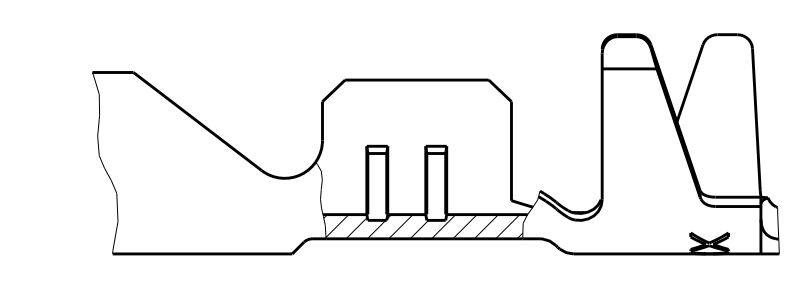


- 1 CONTACT AREA PRE SILVER MIN. 3µm
 CANTILEVER SPRING PLAIN
 Kontaktzone vorversilbert min. 3µm
 Ueberfeder blank
- 2 CONTACT BODY NI-PLATING MIN. 0.5µm; CONTACT AREA PRE-GOLD MIN. 0.6µm
 OVER NICKEL; CRIMP AREA PRE-TIN
 CANTILEVER SPRING PLAIN
 Kontaktkoerper vernickelt min. 0.5µm; Kontaktzone vorvergoldet min. 0.6µm ueber Nickel
 Crimpzone vorverzinkt; Ueberfeder blank
- 3 IN THIS AREA CRACK SHAPING AT THE SURFACE PERMISSIBLE
 In diesem Bereich Rissbildung in der Oberflaeche zulassig
- 4 PRE-TIN MIN. 1µm; CANTILEVER SPRING PLAIN
 vorverzinkt min. 1µm; Ueberfeder blank

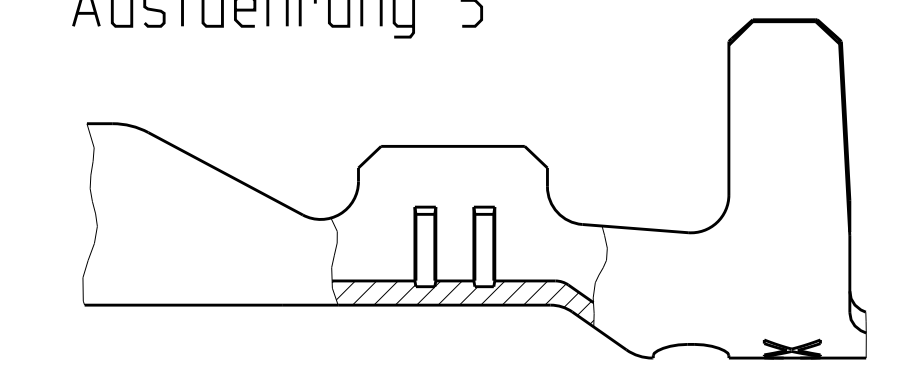
- AWG 12 TXL 828905-1 OR / oder 282536-1
 AWG 12 GXL 638865-1
- ATTENTION! CONSTRUCTION OF THE CONTACT CAVITY IN THE AREA
 OF THE SINGLE WIRE SEAL IS $\phi 6.4^{+0.1}_{-0.05}$
 Achtung! Die Kammer ist im Bereich der Einzeldichtung
 auf $\phi 6.4^{+0.1}_{-0.05}$ auszuliegen
- PUNCHED WITH VOLATILIZING STAMPING-OIL
 Gestanzt mit verfluechtigendem Stanzoel

SINGLE WIRE SEAL / Einzeldichtungssystem	REV	DESIGN	MATERIAL	SURFACE	DGB	INSULATION	WIRE CRIMP HEIGHT CH	WIRE CRIMP HEIGHT CH	APPLICATION TOOL	HAND TOOL	TE	TE	DIMENSIONS				TE	TE
													A	B	C	D		
1-1719504-2	A	4	CuSn4	△	12 AWG	max. 3.0	E = 4.0 G = 4.2 D _{Dr} = 2.0	H = 5.3 K = 5.0 D = 3.6	AWG 12 = 2.0	1852291-3	-	3.5	6.0	7.6	26.8	△	828922-1	
3-968947-1	A	4	CuSn0.20	△	-2.5 - 4.0 FLR	max. 3.7	E = 4.5 G = 4.7 D _{Dr} = 2.3	H = 6.2 K = 6.0 D = 4.3	4.0 mm ² = 2.25	MQC APPLICATOR	539635-1	4.3	6.9	8.5	28.5	828985 (Ø6.4)	828986-1	
2-968947-2	A	6	CuFe	△						MATRIZE : 2-541537-2	539727-2							
2-968947-1	A	6	CuSn4	△	-1.0 - 2.5 FLR	max. 3.0	E = 3.6 G = 3.8 D _{Dr} = 1.7	H = 5.3 K = 5.0 D = 3.6	2.5 mm ² = 1.88 2.0 mm ² = 1.73 1.5 mm ² = 1.58	MQC APPLICATOR	734440-1	3.5	6.0	7.6	26.8	828905 (Ø5.0)	828922-1	
1-968947-2	A	6	CuFe	△						MATRIZE : 2-878560-2								
1-968947-1	A	6	CuSn4	△	0.5 - 1.0 FLR	max. 2.1	E = 2.6 G = 2.9 D _{Dr} = 1.2	H = 5.0 K = 4.8 D = 3.3	1.0 mm ² = 1.36 0.75 mm ² = 1.27 0.5 mm ² = 1.18	MQC APPLICATOR	734438-1	3.0	5.4	7.0	26.8	828904 (Ø5.0)	828922-1	
2-962916-3	E	4	CuFe	△						MATRIZE : 2-878559-2								
2-962916-2	E	4	CuSn4	△	0.2 - 0.5 FLR	max. 2.1	E = 2.1 G = 2.1 D _{Dr} = 0.8	H = 4.7 K = 4.5 D = 3.2	0.5 mm ² = 1.12 0.35 mm ² = 1.05 0.2 mm ² = 0.98	MQC APPLICATOR	539635-1	2.5	4.9	6.5	26.8	828904 (Ø5.0)	828922-1	
1-962916-3	E	4	CuFe	△						MATRIZE : 2-878558-2								
1-962916-2	E	4	CuSn4	△	-2.5 - 4.0 FLR	2.7 - 3.7	E = 4.5 G = 4.7 D _{Dr} = 2.3	H = 5.7 K = 5.9 D = 3.3	4.0 mm ² = 2.25	MQC APPLICATOR	539635-1	4.3	6.6	8.5	28.5	828922-1	828922-1	
2-962915-3	E	4	CuFe	△						MATRIZE : 2-541534-2								
2-962915-2	E	4	CuSn4	△	-1.0 - 2.5 FLK	2.4 - 3.7	E = 3.6 G = 3.8 D _{Dr} = 1.7	H = 5.5 K = 5.7 D = 3.2	2.5 mm ² = 1.88 2.0 mm ² = 1.73 1.5 mm ² = 1.58	MQC APPLICATOR	734417-3	3.6	5.2	8.9	28.6	828922-1	828922-1	
1-962915-1	E	4	CuFe	△						MATRIZE : 2-878552-2								
1-962915-3	E	4	CuSn4	△	-1.0 - 2.5 FLR	2.1 - 2.9	E = 3.6 G = 3.8 D _{Dr} = 1.7	H = 4.3 K = 4.5 D = 2.6	2.5 mm ² = 1.88 2.0 mm ² = 1.73 1.5 mm ² = 1.58	MQC APPLICATOR	734417-2	3.6	5.2	8.2	27.9	828922-1	828922-1	
1-962915-2	E	4	CuFe	△						MATRIZE : 2-878551-2								
1-962915-1	E	4	CuSn4	△	0.5 - 1.0 FLR	1.4 - 2.1	E = 2.6 G = 2.8 D _{Dr} = 1.1	H = 3.2 K = 3.4 D = 1.8	1.0 mm ² = 1.36 0.75 mm ² = 1.27 0.5 mm ² = 1.18	MQC APPLICATOR	734417-1	3.0	4.6	7.0	26.7	828922-1	828922-1	
2-962915-3	E	4	CuFe	△						MATRIZE : 2-878550-2								
2-962915-2	E	4	CuSn4	△	0.2 - 0.5 FLR	1.3 - 1.6	E = 2.1 G = 2.1 D _{Dr} = 0.8	H = 2.9 K = 2.9 D = 1.4	0.5 mm ² = 1.12 0.35 mm ² = 1.05 0.2 mm ² = 0.98	MQC APPLICATOR	734538-1	2.5	3.7	5.8	25.5	828922-1	828922-1	
1-962915-1	E	4	CuFe	△						MATRIZE : 2-878549-2								

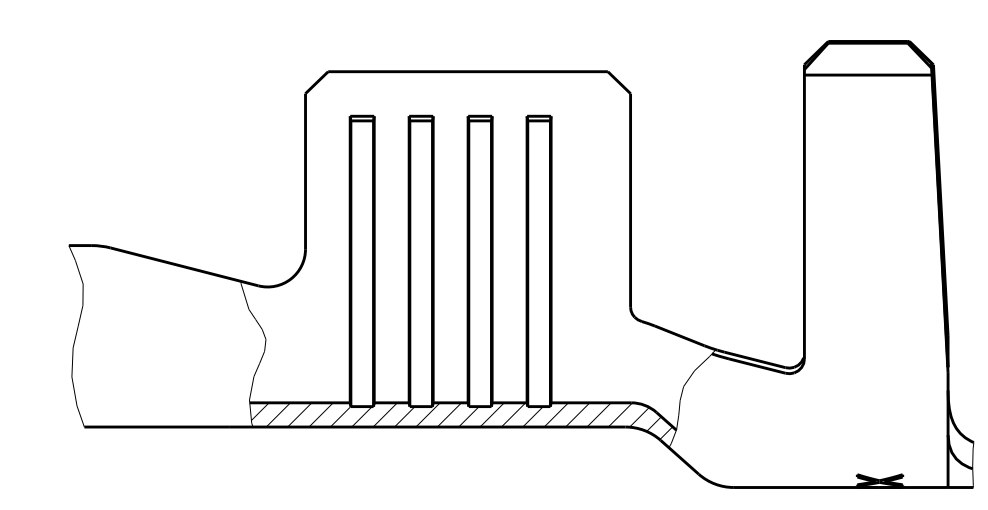
DESIGN 2
 Ausfuehrung 2



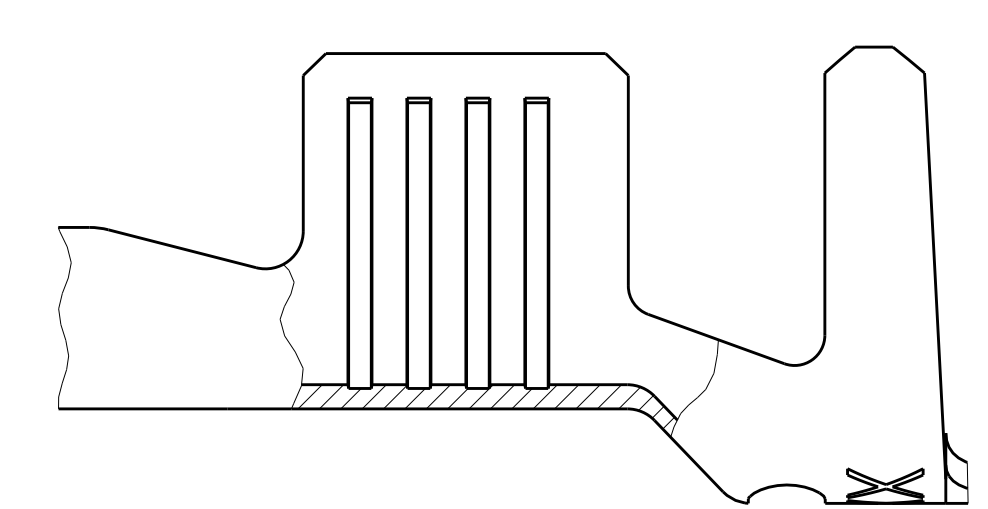
DESIGN 5
 Ausfuehrung 5



DESIGN 3
 Ausfuehrung 3



DESIGN 6
 Ausfuehrung 6



Mouser Electronics

Authorized Distributor

Click to View Pricing, Inventory, Delivery & Lifecycle Information:

[TE Connectivity:](#)

[1-962841-2](#)