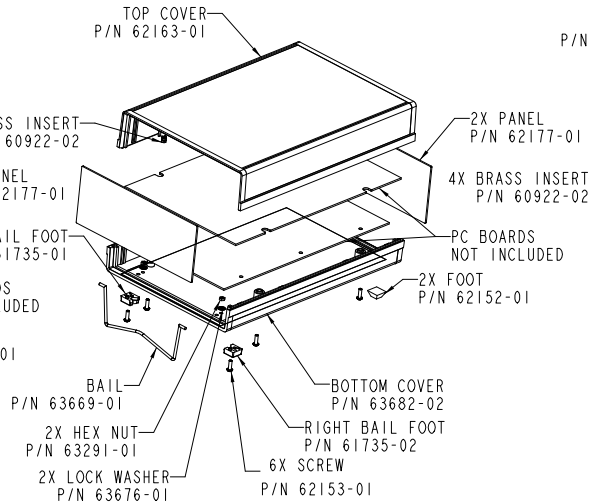
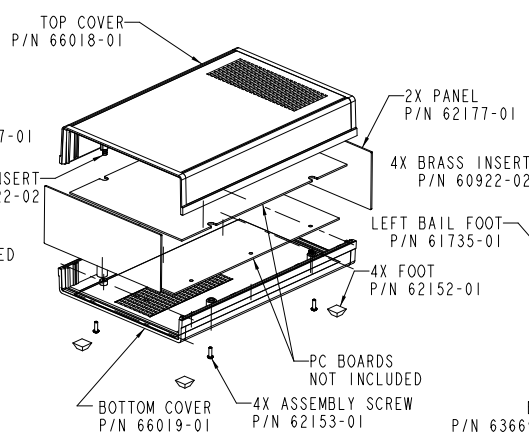


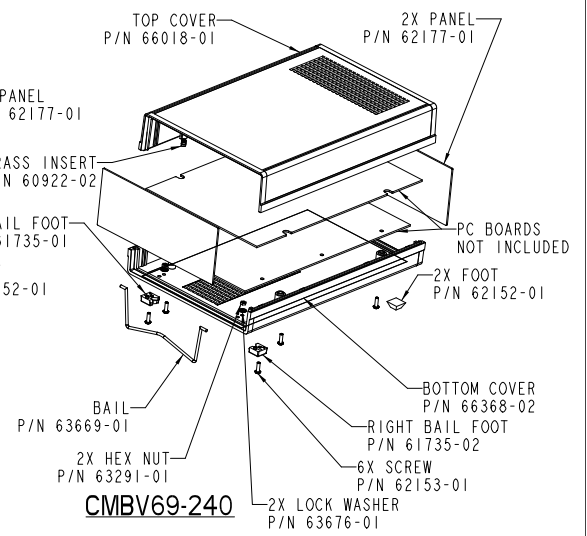
CM69-240



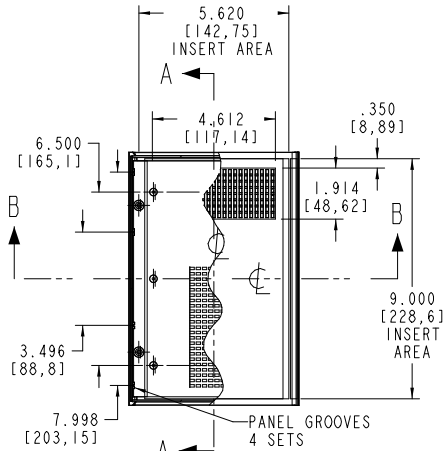
CMB69-240



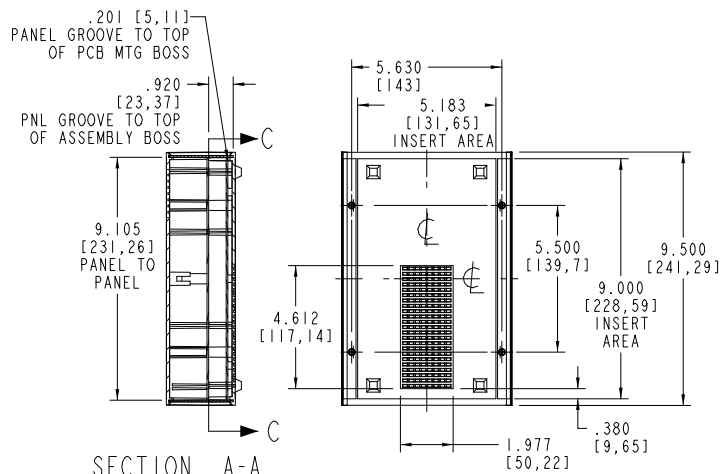
CMV69-240



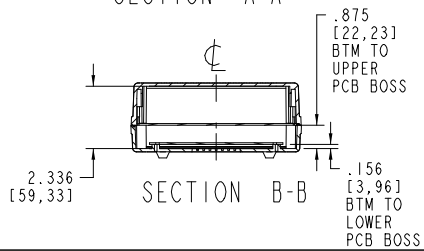
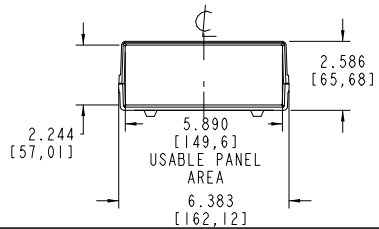
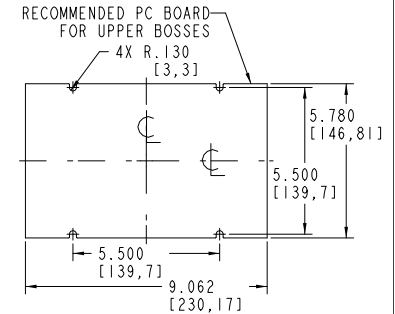
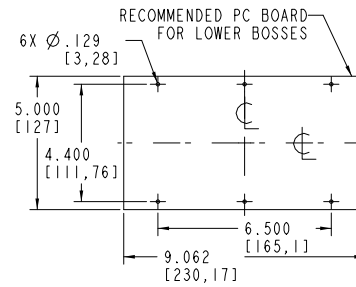
CMBV69-240



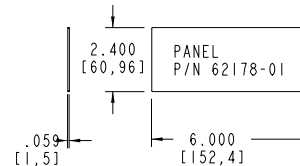
SECTION C-C



SECTION A-A



SECTION B-B



PACNTEC®
1-610-361-4200

CM69-240, CMB69-240
CMV69-240, CMBV69-240

VISIT **PACNTEC®**
ON THE WORLD WIDE WEB
www.pactecenclosures.com

COLOR / MATERIAL CODE	
COLOR	94HB 94VO
BLACK	000 028
P.C.BONE	039 060

DRAWING NUMBER	REV
79395	D

Mouser Electronics

Authorized Distributor

Click to View Pricing, Inventory, Delivery & Lifecycle Information:

[PacTec:](#)

[K-CM69-240 EMI/RFI SHIELD 62177-01-028 CM69-240 Black 63274-510-039 CM69-240 Bone Kit 63270-510-000 CM69-240 Black Kit 63280-510-000 CM69-240 BLACK SHIELDED](#)