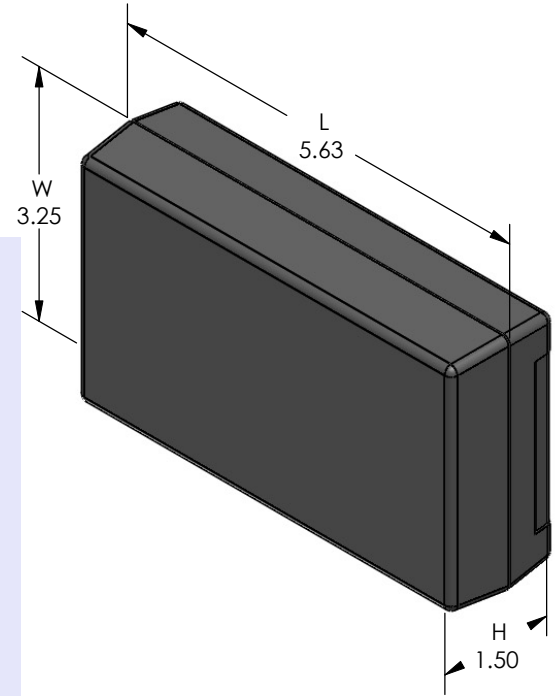
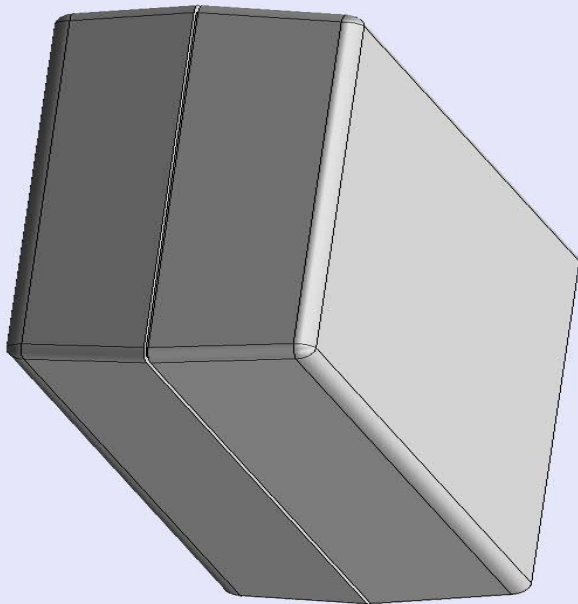


# SERPAC 251 (3D exploded)

Electronic Enclosures

- Click on image to show toolbar. Use ▶ || to Play/Pause Animation.
- Left click and drag on image to move 3D model.



PART NO.	DESCRIPTION (Included)	ACCESSORIES (Optional)	
5-1	TOP	PART NO.	DESCRIPTION
25	BOTTOM	359	Prototype grid board
1025	Battery Cover	459	Prototype clad board
6005	#4X3/8" Self tapping (4)	50	Non-skid feet

- a) Zoom in & out with center wheel.
- b) Pause at any moment to view and or print views.
- c) Change the views to ortho and section views if needed from the Views pull down menu.
- d) Explore options included in the tool bar like: Views, Transparency of model, Lighting type, etc.

Notes: (Enclosure weight 0.26 lb / 118 gm)

1) Enclosure meets or exceeds IP40 and NEMA 1

2) Circuit Board drawings can be download at:

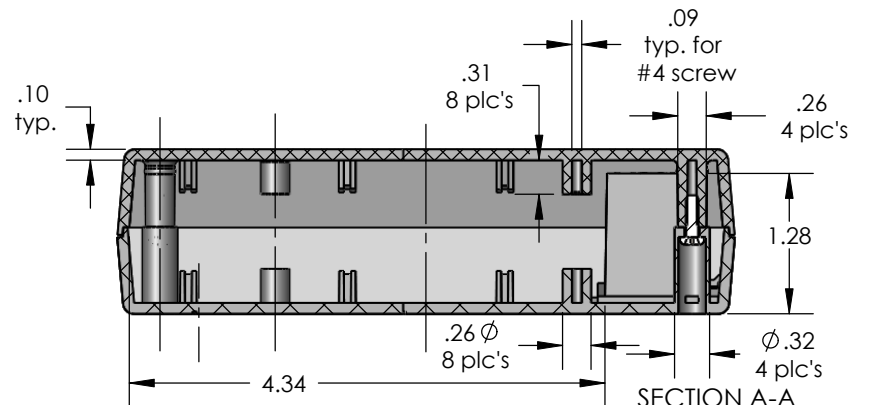
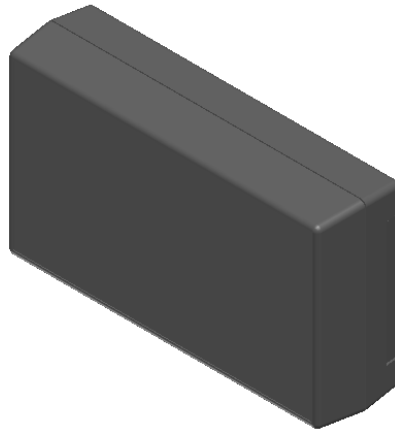
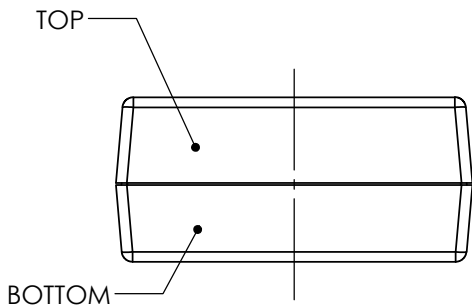
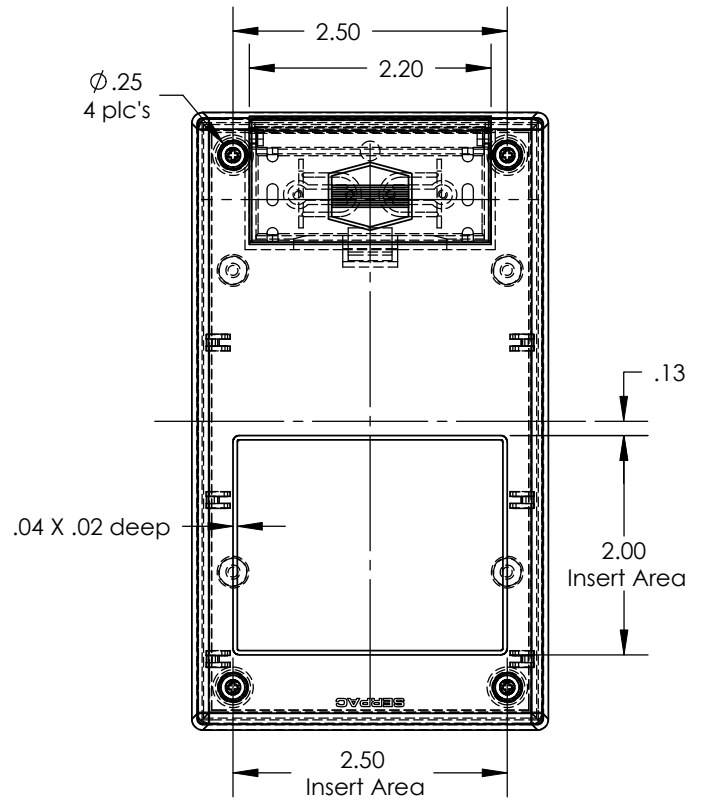
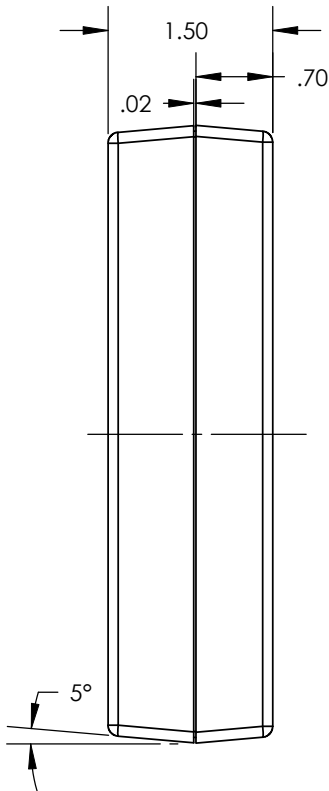
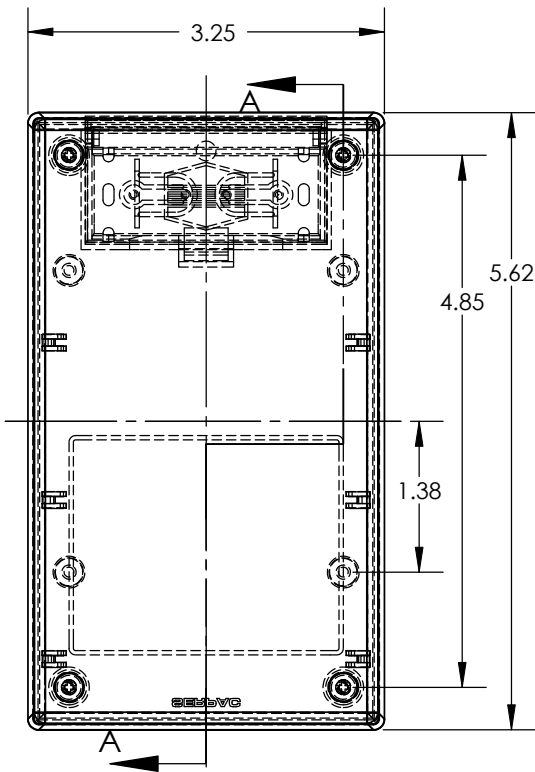
<http://www.serpac.com/Accessories/CircuitBoard/drawings/359-459-cbg.pdf>

3) All components are RoHS Compliant.

**ALL DIMENSIONS ARE ±.010" 4/12/10 (1 of 2)**  
**619 Commercial Ave. Covina, CA 91723**  
**Ph. (626) 331-0517 Fx. (626) 331-8584 serpac.com**

# SERPAC 251 (user print)

Electronic Enclosures



SECTION A-A  
SCALE 1 : 1.75

PART NO.	DESCRIPTION (Included)	ACCESSORIES (Optional)	
5-1	TOP	PART NO.	DESCRIPTION
25	BOTTOM	359	Prototype grid board
1025	Battery Cover	459	Prototype clad board
6005	#4 X 3/8" self tapping (4)	50	Non-skid feet

- Notes:
- 1) Enclosure weight 0.26 lb / 118 gm
  - 2) Enclosure meets or exceeds IP40 and NEMA 1
  - 3) Circuit Board drawings can be download at: <http://www.serpac.com/Accessories/CircuitBoard/drawings/359-459-cbg.pdf>
  - 3) All components are RoHS Compliant.

# Mouser Electronics

Authorized Distributor

Click to View Pricing, Inventory, Delivery & Lifecycle Information:

[SERPAC:](#)

[251-A](#) [251-G](#) [251-B](#) [251-WI-B](#) [251-WI-G](#) [251-WI-A](#) [251-W-B](#) [251-W-G](#) [251-W-A](#)