

High Voltage Series

Littelfuse Circuit Protection 8mm 2Pole high voltage GDTs (ceramic gas discharge tubes), are commonly used to help protect high voltage circuits.

Littelfuse Circuit Protection high voltage GDTs offer a high level of surge protection, low capacitance and a broad array of break over voltage levels, making them suitable for applications such as branch circuits, medical electronics and surge protection on power lines. Littelfuse Circuit Protection GDTs can help equipment meet the most stringent regulatory standards.



Benefits:

- Helps provide overvoltage fault protection against high energysurges

Features:

- 2Pole, 8mm Axial and non Leded devices
- Broad voltage range from 800-4000V
- Low capacitance
- Crowbar overvoltage protection
- UL 1449 recognized
- RoHS compliant
- Non-radioactive materials
- Capable up to 10kA 8/20 μ s surge

Applications:

- Power Supplies
- Commercial Installations
- Medical Electronics
- Industrial Equipment and Machinery
- Appliance (Hi-Pot)

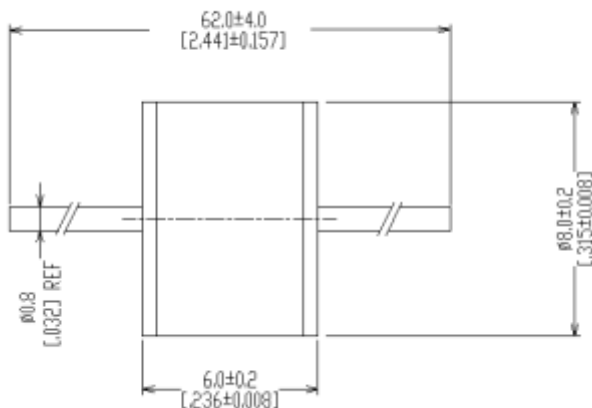
High Voltage Series

Device Voltage Ratings, Surge Rating, Capacitance, Insulation Resistance, UL

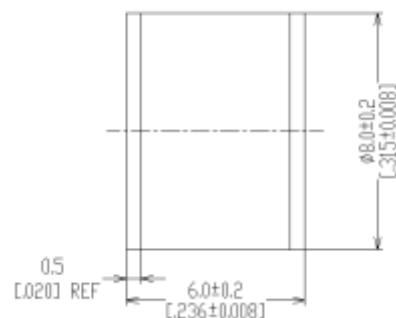
Part Description	DC Sparkover ± 20% @100V/s (V)	Impulse Sparkover 100 V/μs (V)	Insulation Resistance 500Vdc (MΩ)	Capacitance 1MHz (pF)	Impulse Discharge Current, 8/20us		AC Discharge Current, 50 Hz		UL Rating UL1449 #E332226
					10 hits	1 hit	10 hits, 1S	1 hit, 9 cycles	
GTCX28-801M-R05	800	1400	≥ 10,000	≤1	5kA	10kA	5A	N/A	All Devices
GTCX28-102M-R03	1000	1700	≥ 10,000	≤1	3KA	10kA	1A	5A	All Devices
GTCX28-122M-R03	1200	1900	≥ 10,000	≤1	3KA	10kA	1A	5A	All Devices
GTCX28-152L-R03	1500(± 15%)	2200	≥ 10,000	≤1	3KA	10kA	1A	5A	All Devices
GTCX28-212M-R03	2100	2700	≥ 10,000	≤1	3KA	10kA	1A	5A	All Devices
GTCX28-242M-R03	2400	3300	≥ 10,000	≤1	3KA	10kA	1A	5A	All Devices
GTCX28-252M-R03	2500	3500	≥ 10,000	≤1	3KA	10kA	1A	5A	All Devices
GTCX28-272L-R03	2700 (± 15%)	3700	≥ 10,000	≤1	3KA	10kA	1A	5A	All Devices
GTCX28-302M-R03	3000	4000	≥ 10,000	≤1	3KA	10kA	1A	5A	All Devices
GTCX28-312L-R03	3100 (± 15%)	4300	≥ 10,000	≤1	3KA	10kA	1A	5A	All Devices
GTCX28-362M-R03	3600	4600	≥ 10,000	≤1	3KA	10kA	1A	5A	All Devices
GTCX28-402M-R03	4000	5000	≥ 10,000	≤1	3KA	10kA	1A	5A	All Devices

Product Dimensions:

Axial Leads (GTCA28-XXXX-R0X)



No Leads (GTCN28-XXXX-R0X)



High Voltage Series

DIMENSIONS = MILLIMETERS [INCHES]

General Characteristics:

No Radioactive Materials
 Storage temperature: -40°C ... +90°C
 Operating temperature: -40°C ... +90°C
 Electrode: Fe-Ni alloy, Ni plated
 Lead wire: Tin Plated Copper

Materials Information

ROHS Compliant

Directive 2002/95/EC
Compliant

ELV Compliant

Directive 2000/53/EC
Compliant

Pb-Free



Packaging Information

Part Description

Axial Leads: GTCA28-XXXX-R0X
 No Leads: GTCN28-XXXM-R0X

Tray / Reel

100
100

Standard Package

1000
2000

Part Numbering System

Example Part Number: GTCA28-212M-R03

GT = Gas Tube
 C = Ceramic
 A = A= Axial Leads
 2 = 2 Electrode device
 8 = 8mm Diameter
 212= DC Spark Over Voltage of 2100V (at 100V/s)
 M = Tolerance of 20% on DC Spark Over Voltage
 R = Product Family Designator
 03 = Surge rating: 8x20Es 3kA 10 times

High Voltage Series

Part Marking Reference

Example Part Marking: \times 212 R03 HB

- \times = Manufacturer' Mark
- 212 = Voltage Designator (212 = 2100V)
- R03 = Product Family Designator - Surge Current 3kA (8x20 μ s 10 hits)
- HB = Year and Week of Manufacture

Littelfuse products are not designed for, and shall not be used for, any purpose (including, without limitation, automotive, military, aerospace, medical, life-saving, life-sustaining or nuclear facility applications, devices intended for surgical implant into the body, or any other application in which the failure or lack of desired operation of the product may result in personal injury, death, or property damage) other than those expressly set forth in applicable Littelfuse product documentation. Warranties granted by Littelfuse shall be deemed void for products used for any purpose not expressly set forth in applicable Littelfuse documentation. Littelfuse shall not be liable for any claims or damages arising out of products used in applications not expressly intended by Littelfuse as set forth in applicable Littelfuse documentation. The sale and use of Littelfuse products is subject to Littelfuse Terms and Conditions of Sale, unless otherwise agreed by Littelfuse.

Mouser Electronics

Authorized Distributor

Click to View Pricing, Inventory, Delivery & Lifecycle Information:

Littelfuse:

[GTCA28-301M-R05](#) [GTCA28-401M-R10](#) [GTCA28-750M-R05](#) [GTCA28-801M-R05](#) [GTCA28-900M-R05](#) [GTCA28-231M-R10](#) [GTCA28-351M-R10](#) [GTCA28-750M-R10](#) [GTCA28-471M-R10](#) [GTCA28-141M-R10](#) [GTCA28-141M-R20](#) [GTCA28-351M-R20](#) [GTCA28-122M-R03](#) [GTCA28-152L-R03](#) [GTCA28-212M-R03](#) [GTCA28-242M-R03](#) [GTCA28-252M-R03](#) [GTCA28-362M-R03](#) [GTCA28-402M-R03](#) [GTCA28-151M-R10](#) [GTCA28-201M-R05](#) [GTCA28-231M-R05](#) [GTCA28-421M-R05-2](#) [GTCA28-471M-R05](#) [GTCA28-501M-R10](#) [GTCA28-801M-R10](#) [GTCA28-900M-R10](#) [GTCA28-151M-R05](#) [GTCA28-351M-R05](#) [GTCA28-421M-R05](#) [GTCA28-601M-R05](#) [GTCA28-601M-R10](#) [GTCA28-900M-R20](#) [GTCA28-231M-R20](#) [GTCA28-750M-R20](#) [GTCA28-102M-R03](#) [GTCA28-151M-R20](#) [GTCA28-272L-R03](#) [GTCA28-302M-R03](#) [GTCA28-750M-R05-2](#) [GTCA28-102M-R03-2](#) [GTCA28-471M-R20](#) [GTCA28-601L-R05](#) [GTCA28-801L-R05](#) [GTCA28-601L-R20](#) [GTCA28-231L-R05](#) [GTCA28-402L-R03](#) [GTCA28-302M-R03-2](#) [GTCS28-251M-R20](#) [GTCN28-302M-R03](#) [GTCA28-601M-R20](#) [GTCS28-302M-R03](#)