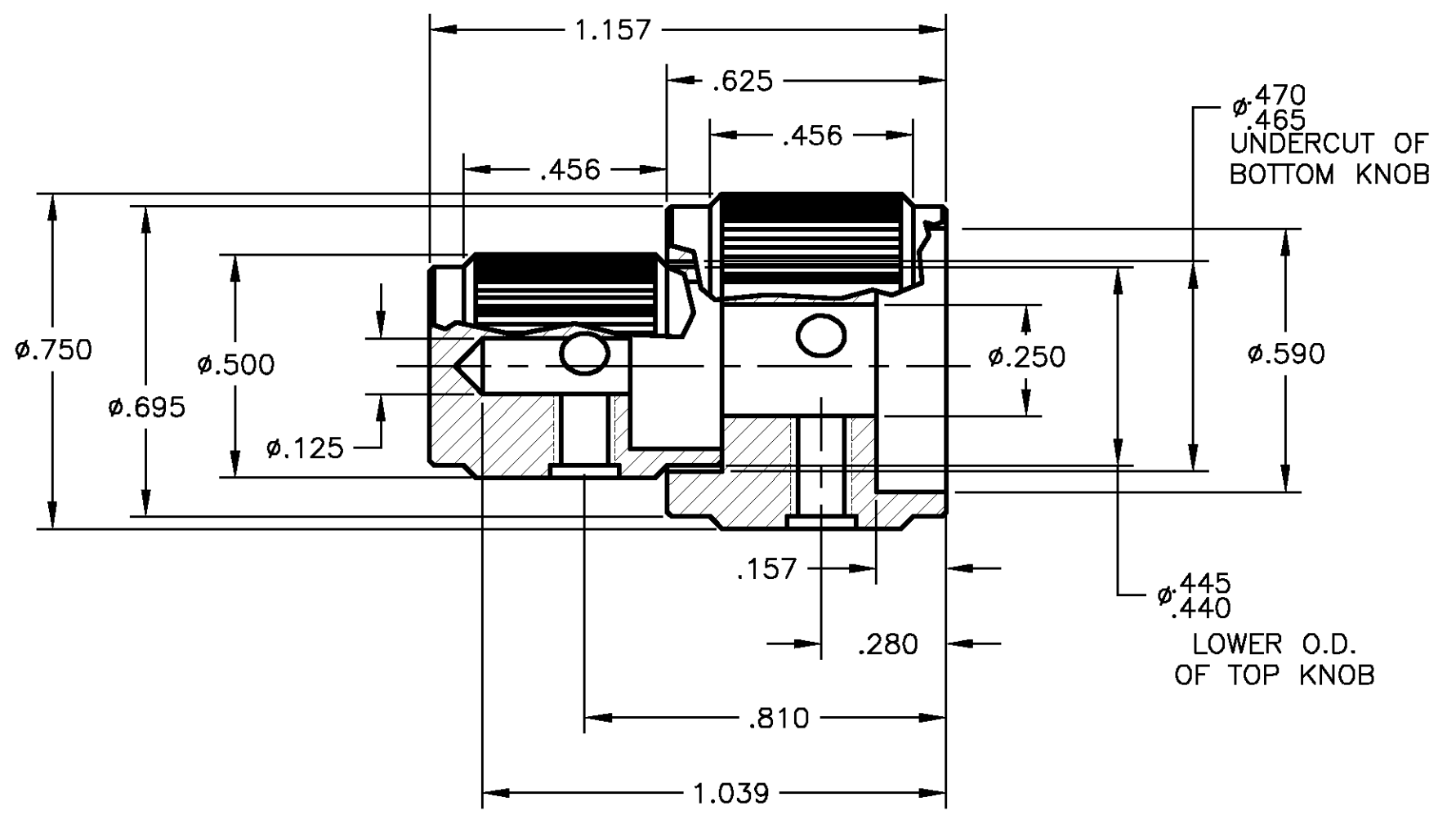
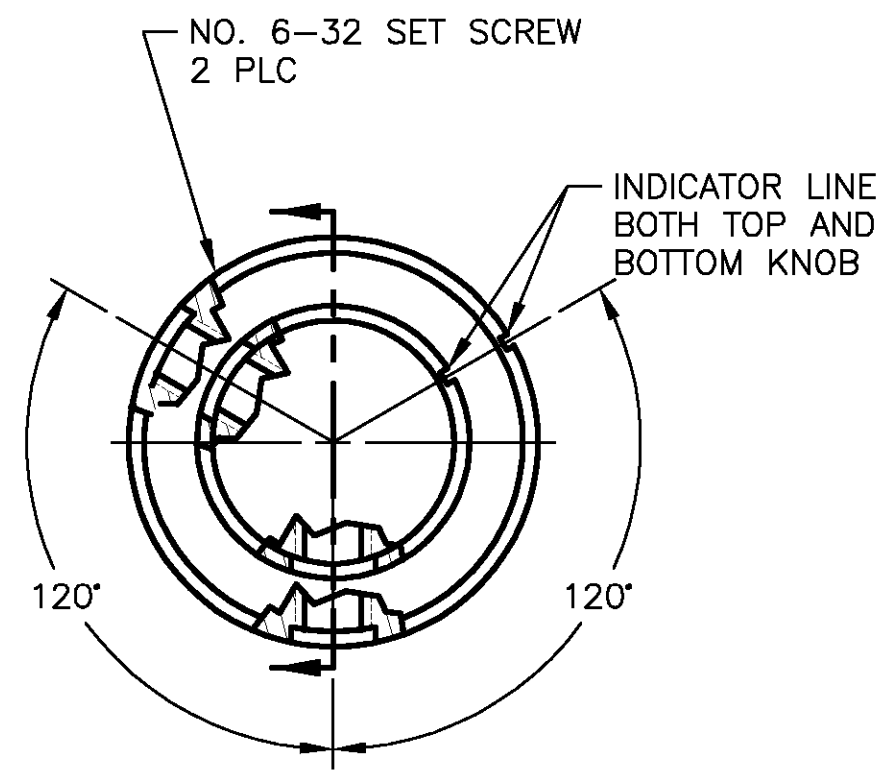


LOC	DIST	REVISIONS					
AD	00	P	LTR	DESCRIPTION	DATE	DWN	APVD
			A	REV PER EC OG3C-340-02	03DEC02	MB	MZ



- 1 KNOB: ALUMINUM; SET SCREWS: STAINLESS STEEL
- 2 FINISH: ANODIZED - SEE TABLE
- 3. WAS DRAWING NUMBER 80257

WHITE LACQUER	BLACK	KN5700B1/4	5-1437622-7
BLACK LACQUER	NATURAL	KN5700A1/4	5-1437622-6
INDICATOR LINE	FINISH	MODEL NUMBER	PART NUMBER
2 COLOR			

THIS DRAWING IS A CONTROLLED DOCUMENT.		DWN M.BINNER	03DEC02	Tyco Electronics Corporation Harrisburg, PA 17105	
DIMENSIONS: INCHES		CHK M.ZITTO	-	NAME	
		APVD M.ZITTO	-	KNOB, STRAIGHT KNURL HAIRLINE INDICATOR (KN-5700)	
TOLERANCES UNLESS OTHERWISE SPECIFIED:		PRODUCT SPEC	-	SIZE	CAGE CODE
0 PLC	± -	APPLICATION SPEC	-	A3	00779
1 PLC	± -	WEIGHT	-	DRAWING NO	
2 PLC	± -	CUSTOMER DRAWING	-	5-1437622-6	
3 PLC	± .008	SCALE	3:1	SHEET	1 OF 1
4 PLC	± -	RESTRICTED TO	-	REV	A
ANGLES	± -				
MATERIAL	1				
FINISH	2				

# Mouser Electronics

Authorized Distributor

Click to View Pricing, Inventory, Delivery & Lifecycle Information:

[TE Connectivity:](#)

[KN5700B1/4](#)