

4

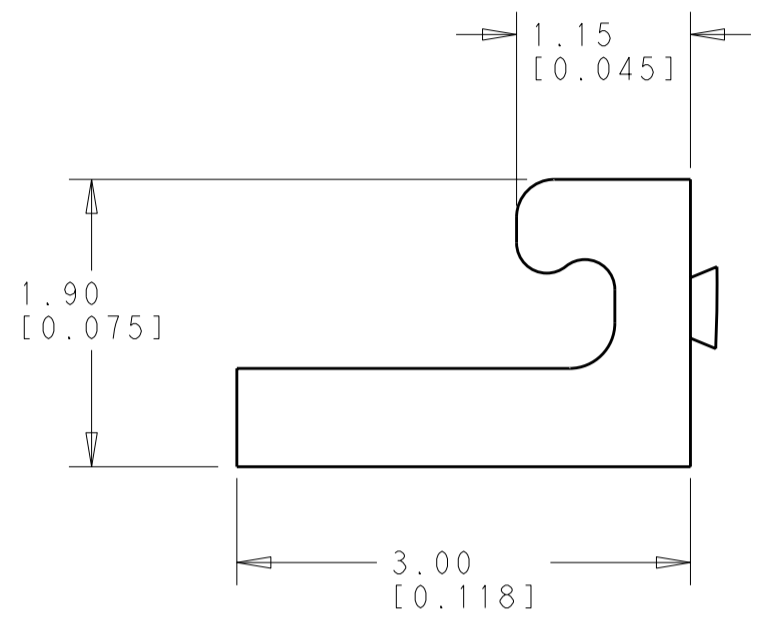
3

2

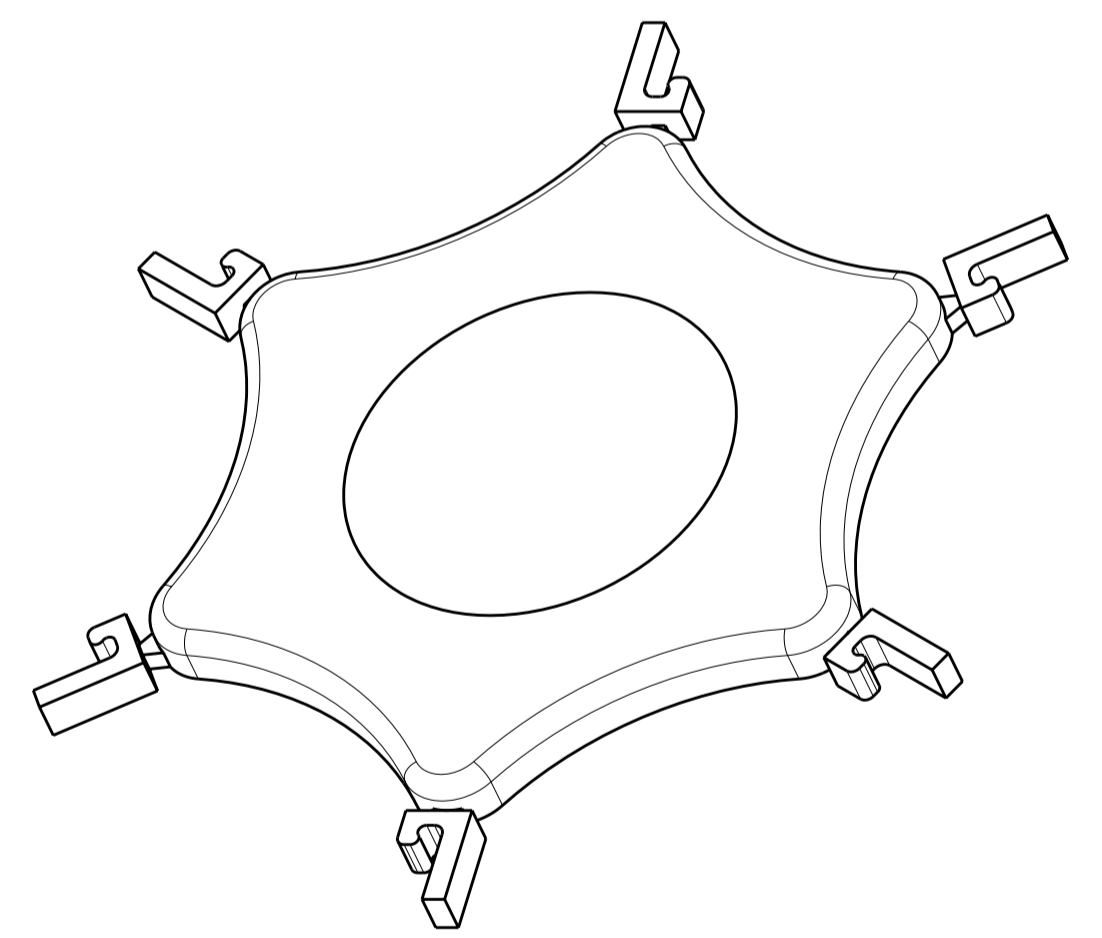
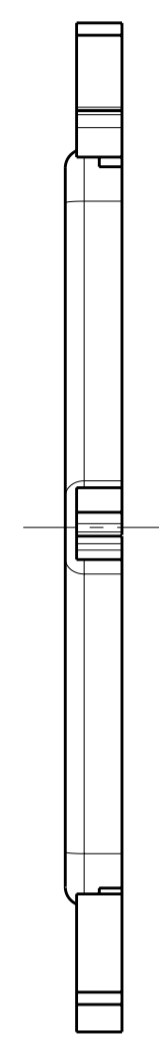
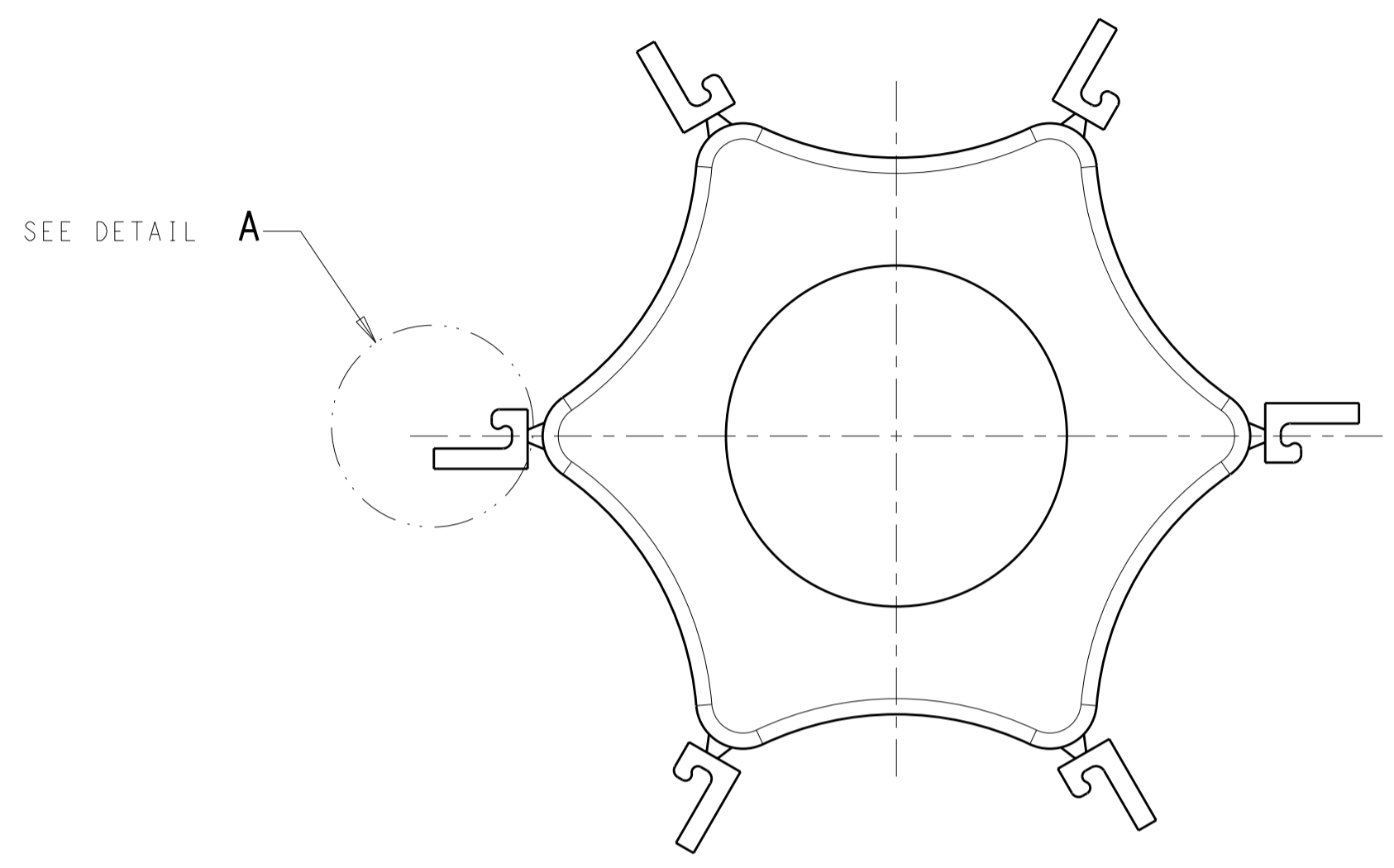
1

THIS DRAWING IS UNPUBLISHED. RELEASED FOR PUBLICATION 2009
 © COPYRIGHT 2009 ALL RIGHTS RESERVED.


LOC		DIST		REVISIONS			
P	LTR	DESCRIPTION	DATE	DWN	APVD		
A		REVISED PER ECO-11-022623	18NOV11	KH	MS		



DETAIL A
SCALE 20:1



1986671-1
PART NUMBER

THIS DRAWING IS A CONTROLLED DOCUMENT.		DWN 26FEB2011 RAGHAVENDRA	 TE Connectivity	
DIMENSIONS: MM [INCHES]		CHK 26FEB2011 RICHARD CATHY		
TOLERANCES UNLESS OTHERWISE SPECIFIED:		APVD 26FEB2011 RICHARD CATHY	PRODUCT SPEC	SIZE
0 PLC ±-		APPLICATION SPEC	-	CAGE CODE
1 PLC ±-		WEIGHT	-	DRAWING NO
2 PLC ±0.13		MATERIAL	PA 6.6 COLOR RED	A200779C-1986671
3 PLC ±-		FINISH	-	RESTRICTED TO
4 PLC ±-		CUSTOMER DRAWING	SCALE 5:1	SHEET 1 OF 1
ANGLES ±-				REV A

Mouser Electronics

Authorized Distributor

Click to View Pricing, Inventory, Delivery & Lifecycle Information:

[TE Connectivity:](#)

[1986671-1](#)