

THIS DRAWING IS UNPUBLISHED. RELEASED FOR PUBLICATION
 © COPYRIGHT - By - ALL RIGHTS RESERVED.

LOC	DIST	REVISIONS					
G	14	P	LTR	DESCRIPTION	DATE	DWN	APVD
		P		REVISED PER ECO-14-015277	10FEB2015	NK	DR

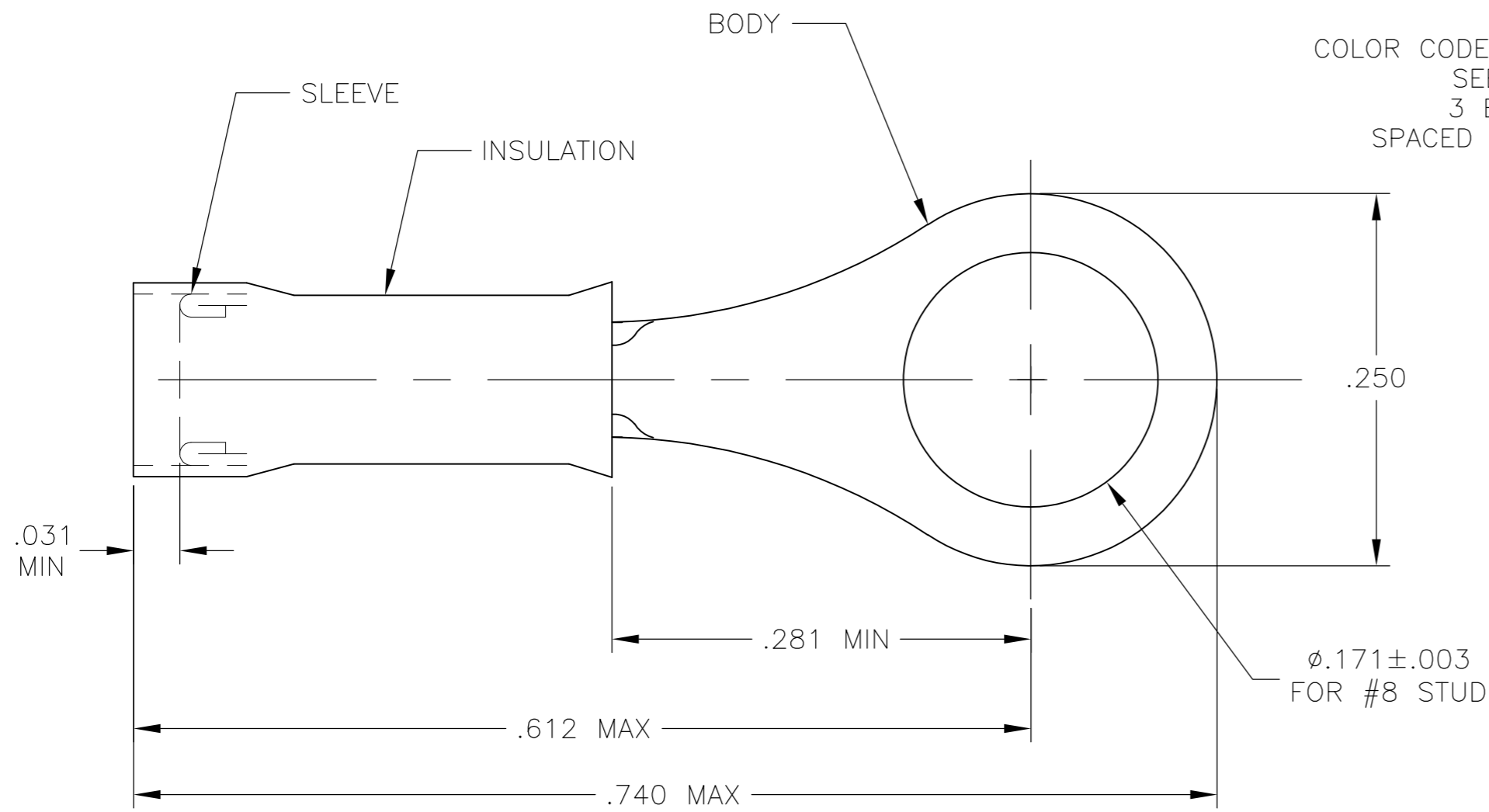


FIGURE 1

FOR .050 TO .082 WIRE INSULATION DIA

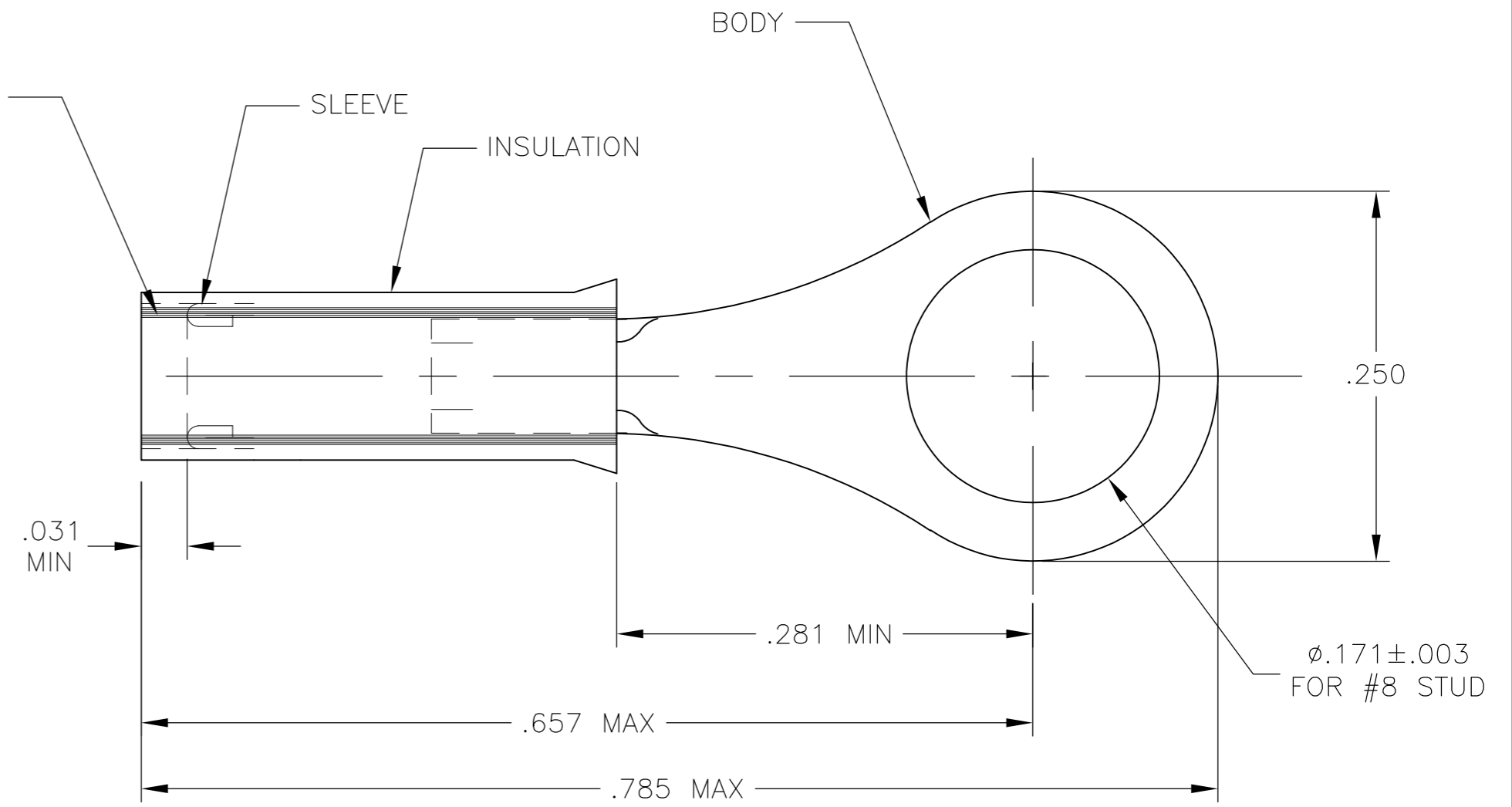


FIGURE 2
INSULATION RESTRICTING

FOR X/Y WIRE INSULATION DIA

1 TONGUE MATERIAL THK IS .018±.002.

2 MEETS MS25036-146, CLASS 2.

1	WIRE TERMINAL INSULATION RESTRICTING	BODY: COPPER (ASTM-B152) TIN PL (ASTM-B545) SLEEVE: COPPER (ASTM-B152) NICKEL PL. (QQ-N-290) INSULATION: NYLON COLOR: YELLOW (ASTM-D4066) TYPE 1	2-323916-3
100	LOOSE PC, BOX		8-323916-1
4000	323916 ON TAPE	BODY & SLEEVE: COPPER (ASTM-B152) TIN PL (ASTM-B545) INSULATION: NYLON COLOR: YELLOW (ASTM-D4066) TYPE 1	2 2-323916-1
1	WIRE TERMINAL		2 323916
QTY	DESCRIPTION	MATERIAL & FINISH	PART NO

8-323916-1	FIGURE 1	#26-#22	NONE	-	-
2-323916-3	FIGURE 2	#24	BLUE	.031/.055	-
323916	2 FIGURE 1	#26-#22	NONE	-	2-323916-1/2
PART NO.	STYLE	WIRE SIZE	STRIPE COLOR	"X/Y"	PART NO. ON TAPE

THIS DRAWING IS A CONTROLLED DOCUMENT.

DWN	JR RUTH	02OCT09
CHK	TOM MICHIELUTTI	02OCT09
APVD	MIKE PERCHERKE	02OCT09
PRODUCT SPEC		
APPLICATION SPEC		
WEIGHT	-	
CUSTOMER DRAWING		

STE TE Connectivity

NAME: TERMINAL, NYLON - PIDG - RING TONGUE
WIRE SIZE: 26-22

SIZE: A2 CAGE CODE: 00779 DRAWING NO: 323916 RESTRICTED TO: -

SCALE: 10:1 SHEET: 1 of 1 REV: P

Mouser Electronics

Authorized Distributor

Click to View Pricing, Inventory, Delivery & Lifecycle Information:

[TE Connectivity:](#)

[8-323916-1](#)